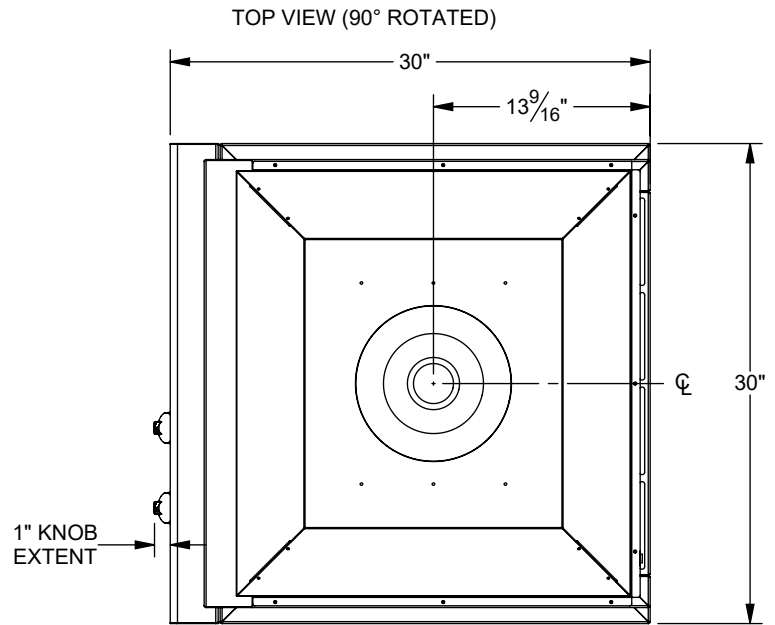


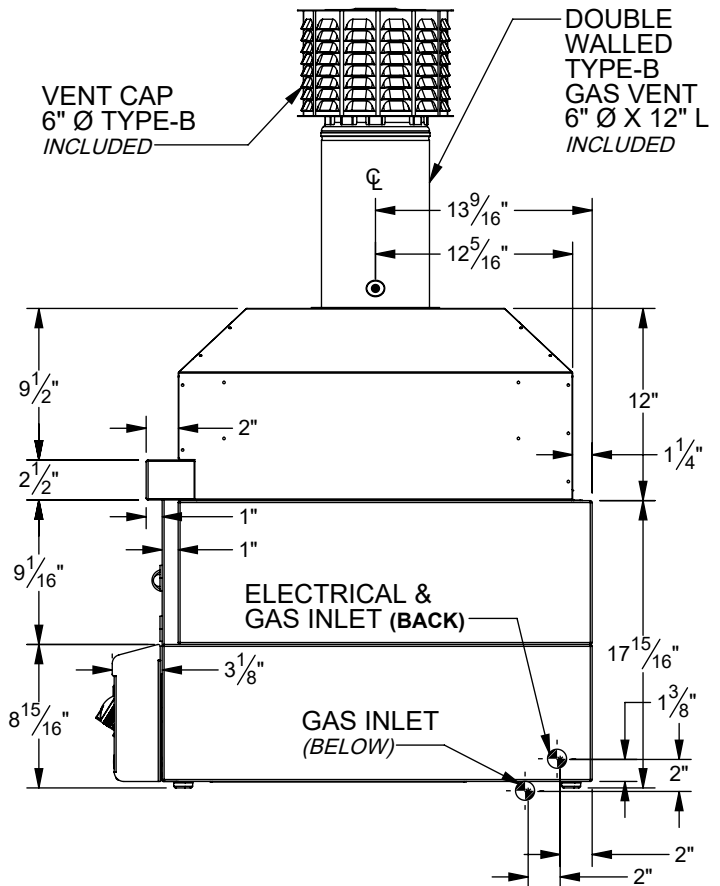
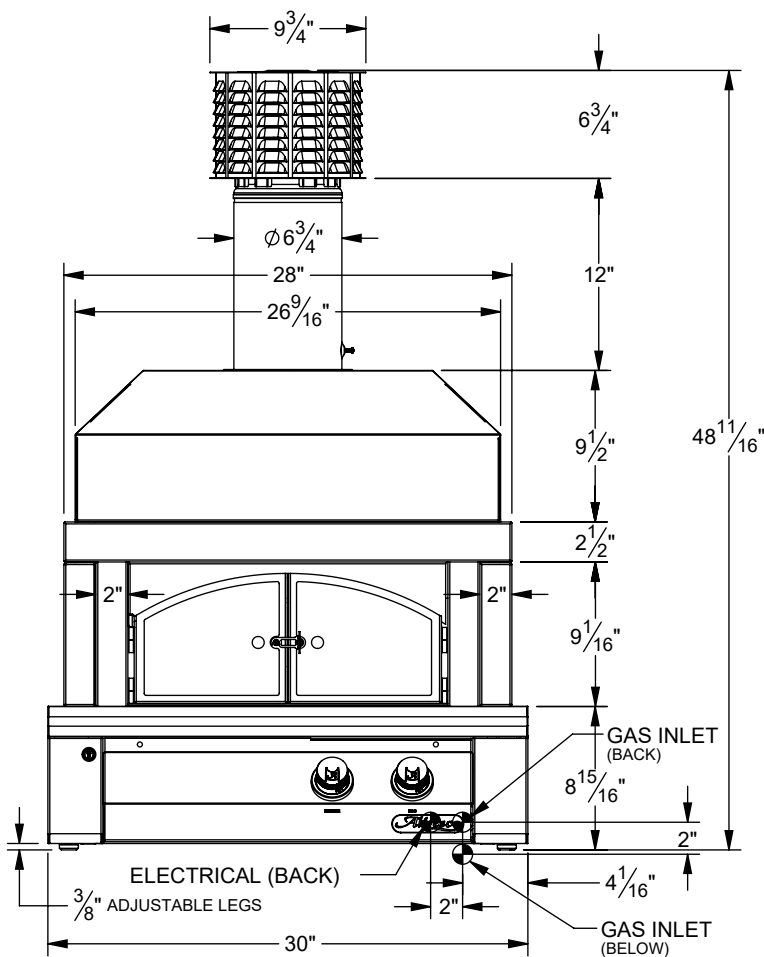
AXE-PZA AND "BI" TYPICAL UNIT INSTALLED WITH A FULL FASCIA BRICK WALL DESIGN

Due to the unique design of the *Alfresco*™ Pizza Oven, the unit can be piped from behind or below as it might be required by a custom installation and finish. Both locations are shown here as an aid in design only.

For additional information, please refer to the AXE-PZA Care and Use manual.

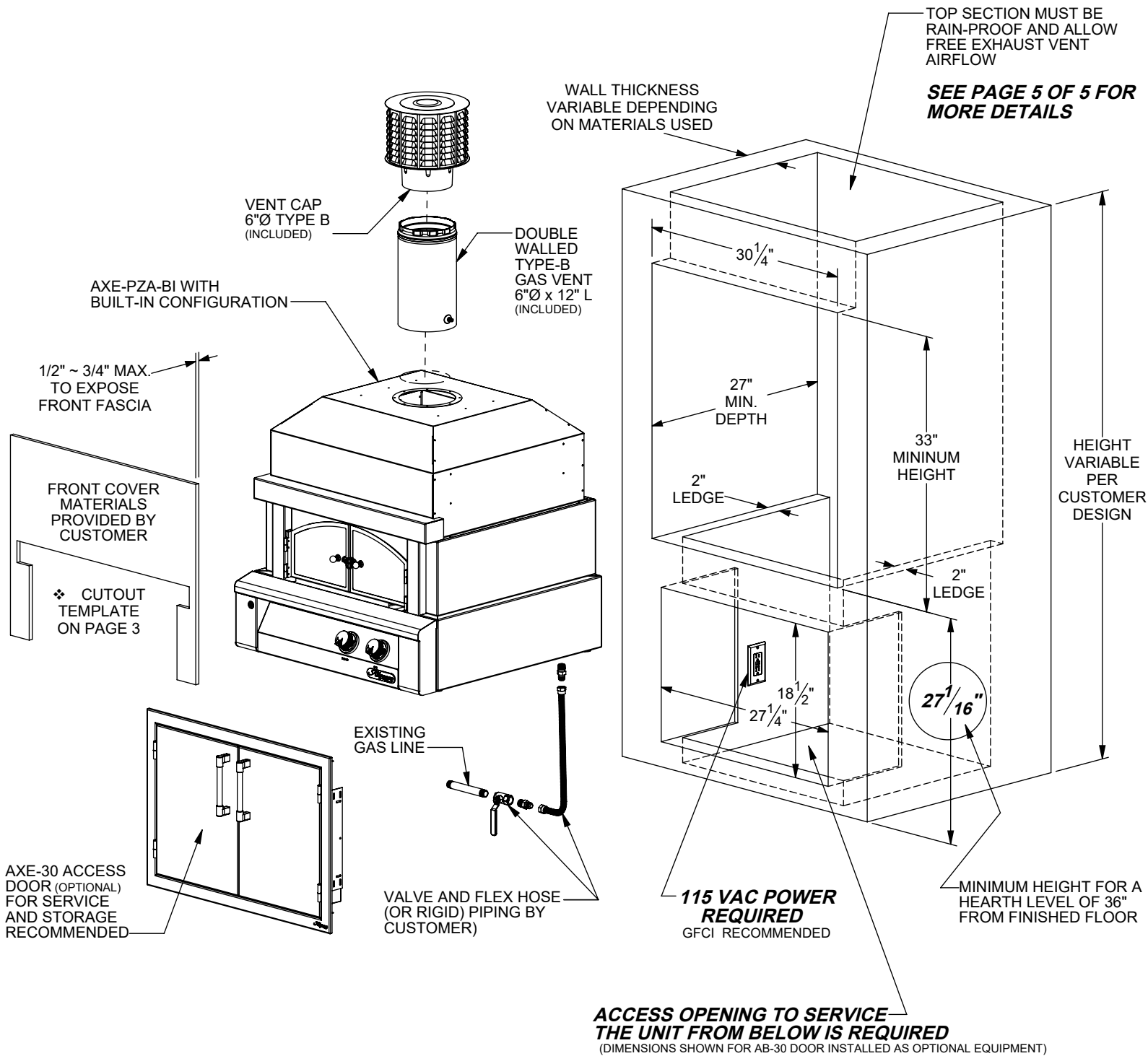


FRONT VIEW




When installing the *Alfresco*™ Pizza Oven as a built-in unit, careful consideration to the materials used must be made. As a general rule, the materials and construction methods should be the same as the requirements for an outdoor fireplace while maintaining all local building codes.

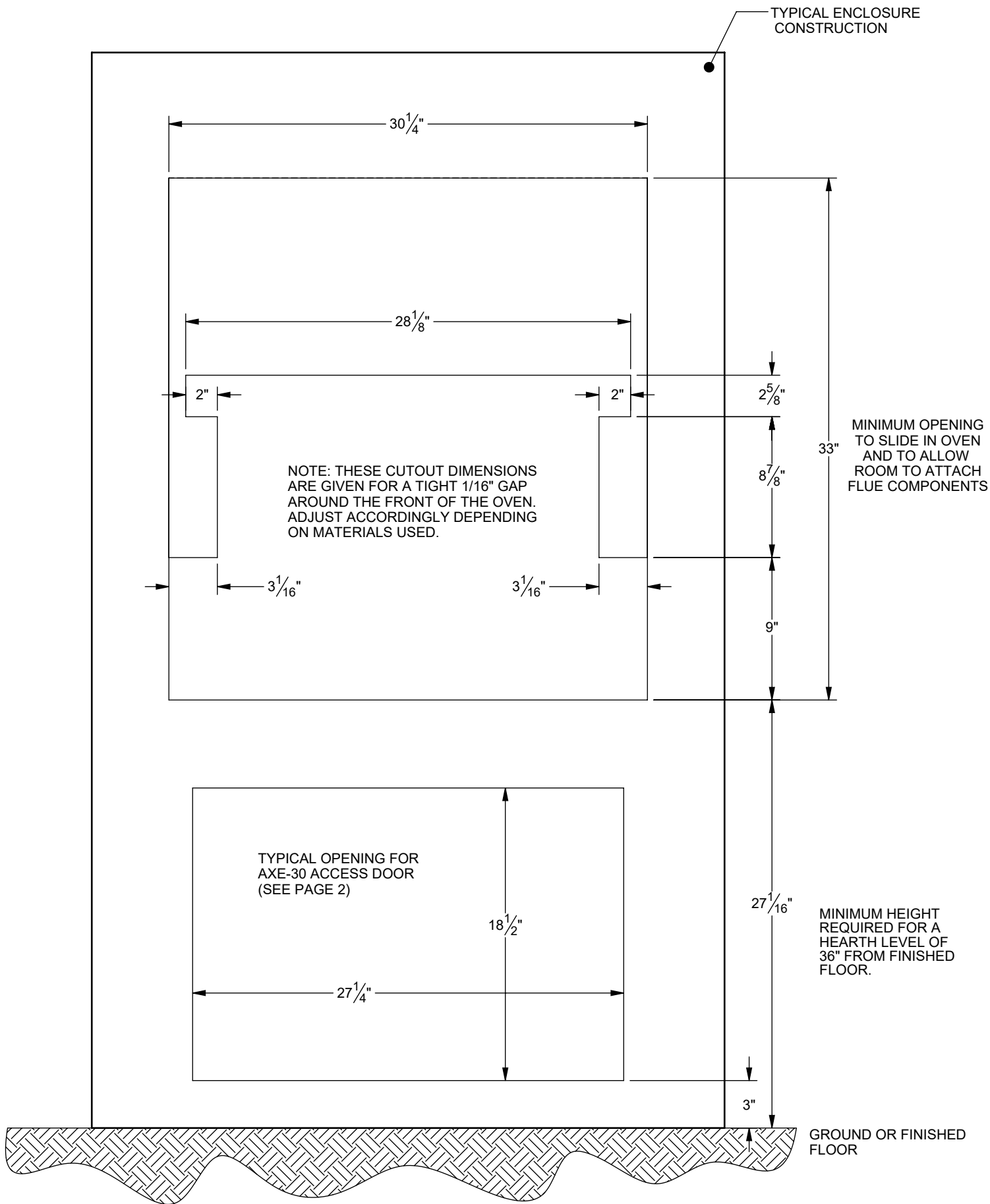
Dimensions shown below should be used as a reference for design and planning only.

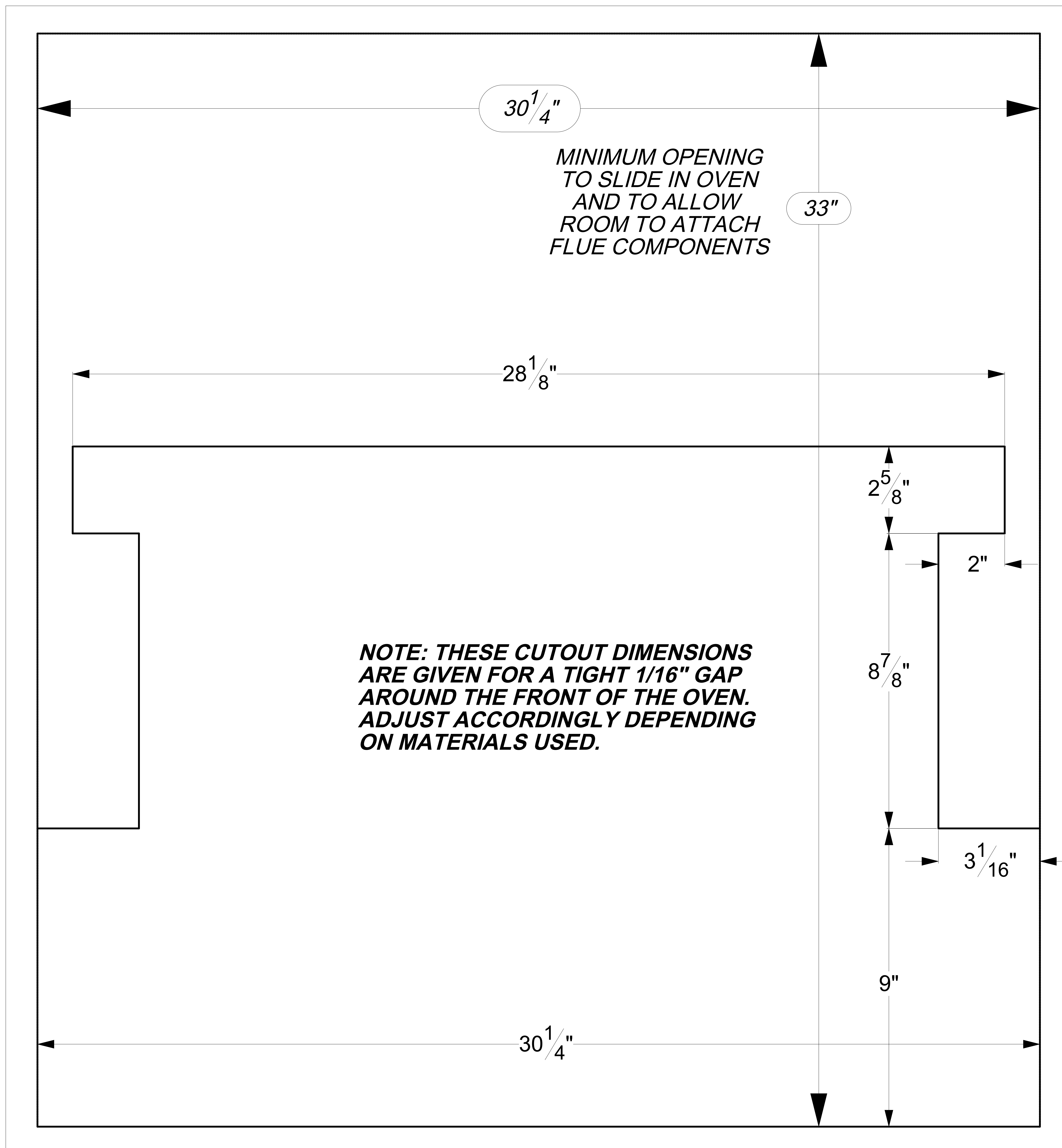


SPECIFICATIONS:

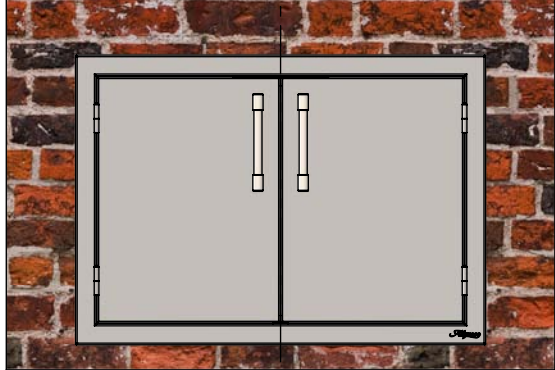
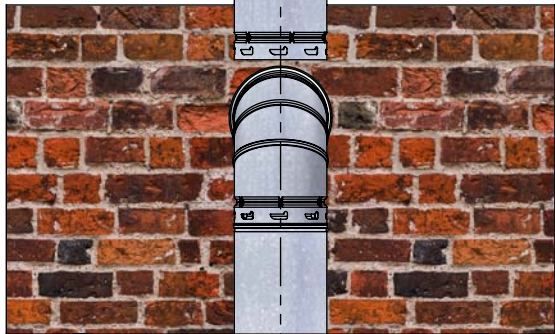
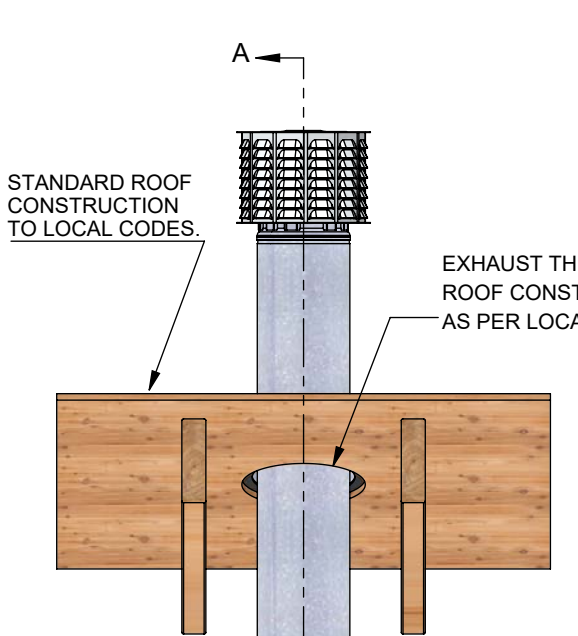
BTUH = 35,600
 FUEL NG @ 5 W.C. / LP @ 10 W.C.
 ELECTRICAL POWER: 115 VAC / 0.3 A / 60 Hz.
 GAS CONNECTION = 1/2" NPT (NG) OR 3/8" ODF (LP)

 SUPERIOR EQUIPMENT SOLUTIONS 1085 BIXBY DRIVE CITY OF INDUSTRY, CA. 91745	THE INFORMATION CONTAINED IN THIS DRAWING IS THE SOLE PROPERTY OF SUPERIOR EQUIPMENT SOLUTIONS INC. ANY REPRODUCTION IN PART OR AS A WHOLE WITHOUT WRITTEN PERMISSION FROM SUPERIOR EQUIPMENT SOLUTIONS, INC. IS PROHIBITED.	PROJECT TITLE:	DRAWING NO.:
		AXE-PZA-BI	AXE-PZA-BI SPEC SHEET
DRAWN BY: ADRIAN CRISCI LAST SAVED: 8/29/2022 9:59:19 AM		DRAWING TITLE:	SHEET 2 OF 5
		AXE-PZA-BI BUILT-IN UNIT - INSTALLATION GUIDELINES	





FULL SIZE TEMPLATE



A

ROOFING MATERIALS AND FINISH AS APPROVED BY LOCAL CODES

GAS VENT CAP TYPE-B (INCLUDED) OR SIMILAR AS PER LOCAL CODES

TYPICAL EXHAUST VENT TYPE-B EXTENSION

STORM COLLAR IF REQUIRED BY LOCAL CODES

ROOF FLASHING AS REQUIRED BY LOCAL CODE

THROUGH WALL INSTALLATION

GAS VENT CAP TYPE-B (INCLUDED)

STORM COLLAR AS REQUIRED BY LOCAL CODES

MINIMUM HEIGHT AS PER LOCAL CODES

10 FT. MAXIMUM EXHAUST LENGTH FOR OPTIMAL OVEN OPERATION

DEDUCT 2 FT. EXHAUST LENGTH PER EACH ELBOW

STANDARD 6"Ø X 12" H TYPE-B (INCLUDED)

AXE-PZA-BI UNIT

AXE-30 ACCESS DOOR RECOMMENDED

NON-COMBUSTIBLE CONSTRUCTION

SECTION A-A
SCALE 1 : 14