
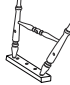










# ASSEMBLY INSTRUCTION

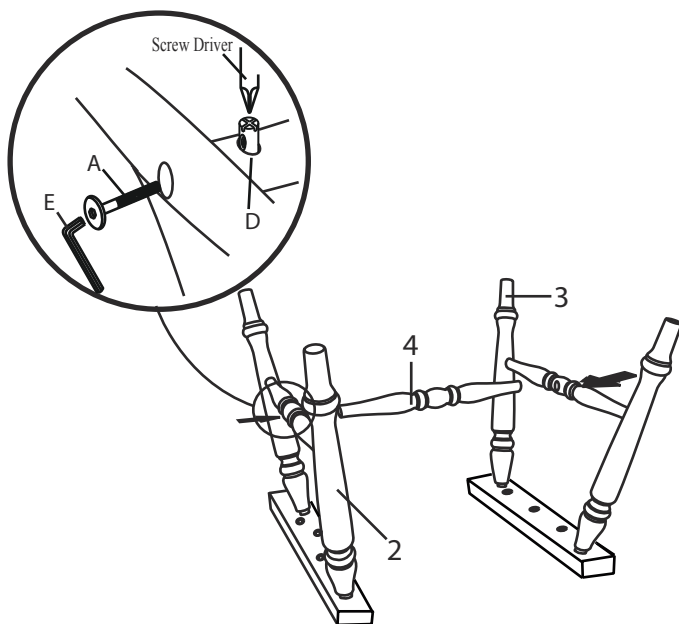
## DESCRIPTION : SLAT BACK SIDE CHAIR (RTA)

Thank you for purchasing this quality product. Be sure to check all packing material carefully for small parts which may have come loose inside the carton during shipment. Identify and count all parts and compare with the parts List Below :

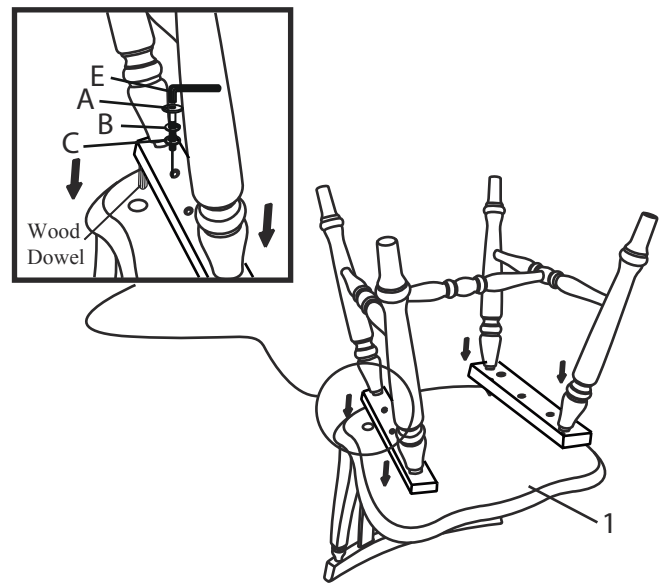
COMPONENT LIST			
No	DESCRIPTION		QTY
1	<b>Seat Frame</b>		1 Pce
2	<b>Left Leg Frame</b>		1 Pce
3	<b>Right Leg Frame</b> (Have Wood Dowel)		1 Pce
4	<b>Center Stretcher</b>		1 Pce

5			
ASSEMBLY HARDWARE PACK			
No	DESCRIPTION		QTY
A	JCBC Bolt		8 Pcs
B	Lock Washer		6 Pcs
C	Flat Washer		6 Pcs
D	JRN Nut		2 Pcs
E	Allen Key		1 Pce
F	Wood Plug		2 Pcs

### STEP 1

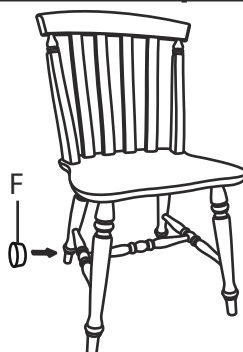


### STEP 2



### STEP 3

Turn the chair upright. Check its balance.



#### ASSEMBLY TIPS:

1. Remove hardware from box and sort by size.
2. Please check to see that all hardware and parts are present prior start of assembly.
3. Please follow attached instructions in the same sequence as numbered to assure fast and easy assembly.

#### ⚠ WARNING!

1. Don't attempt to repair or modify parts that are broken or defective. Please contact the store immediately.
2. This product is for home use only and not intended for commercial establishments.