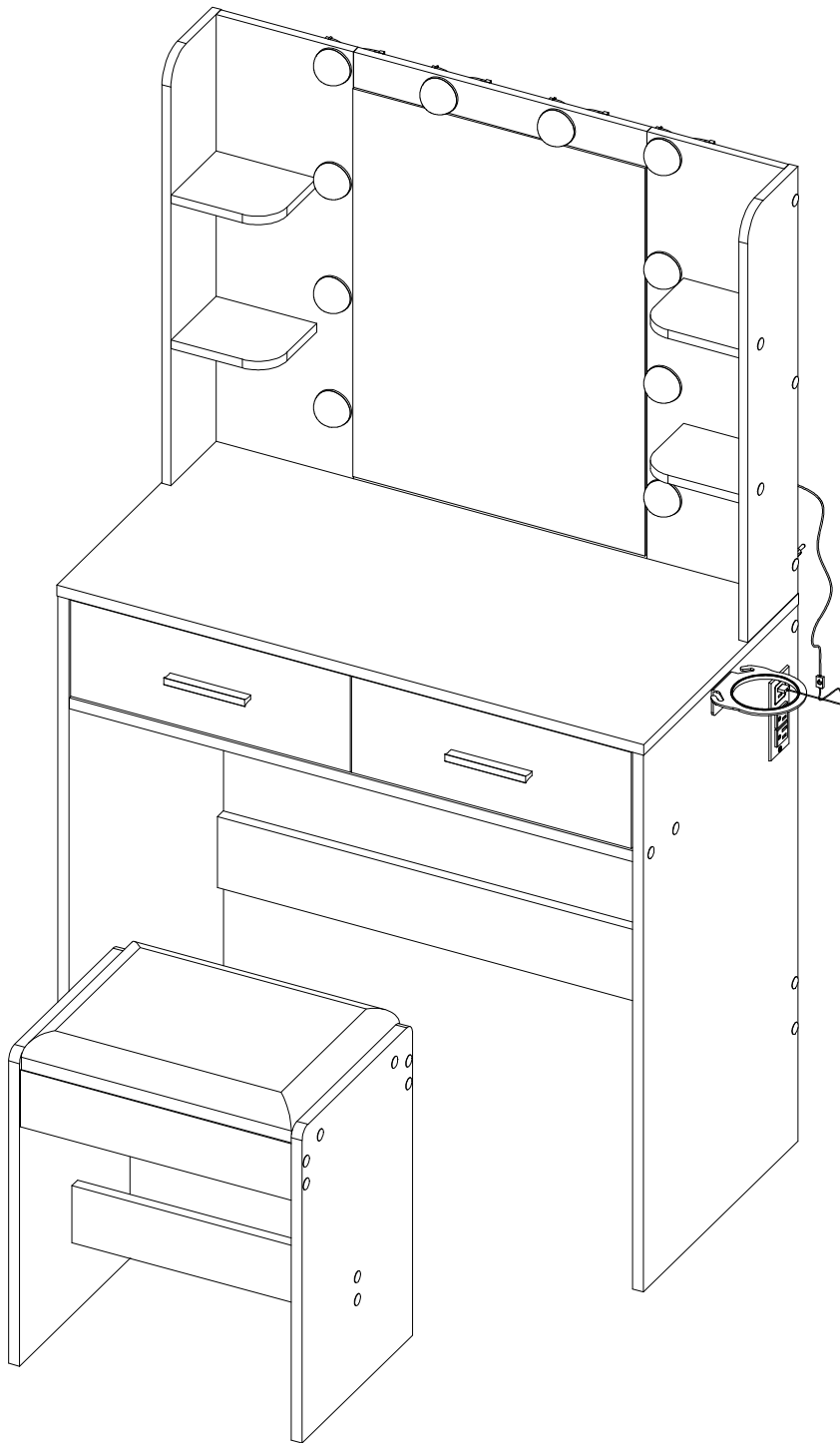
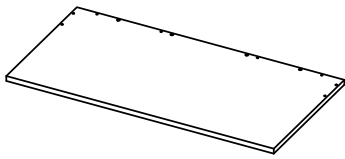
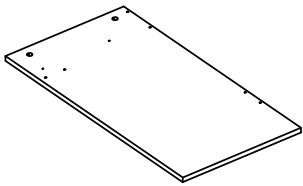
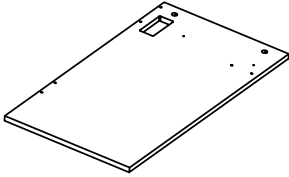
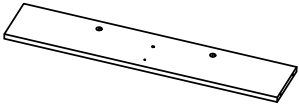
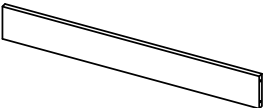
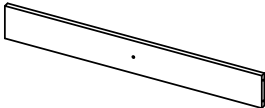
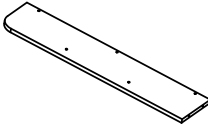
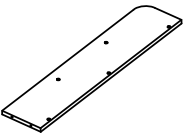
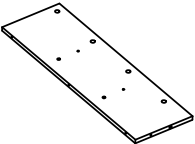
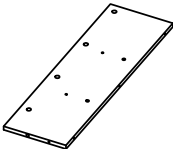

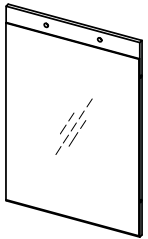
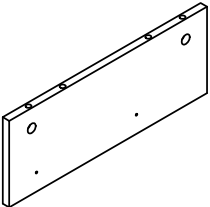
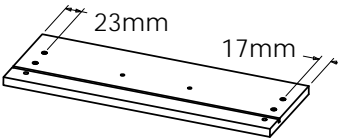
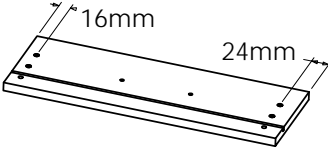
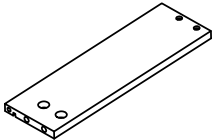
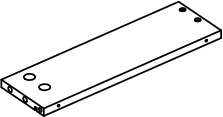
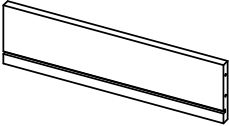
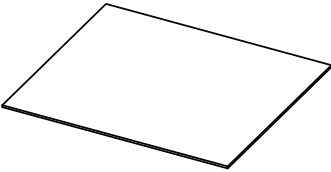
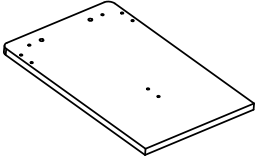
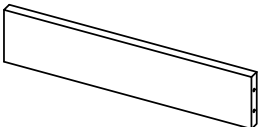
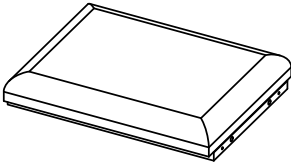


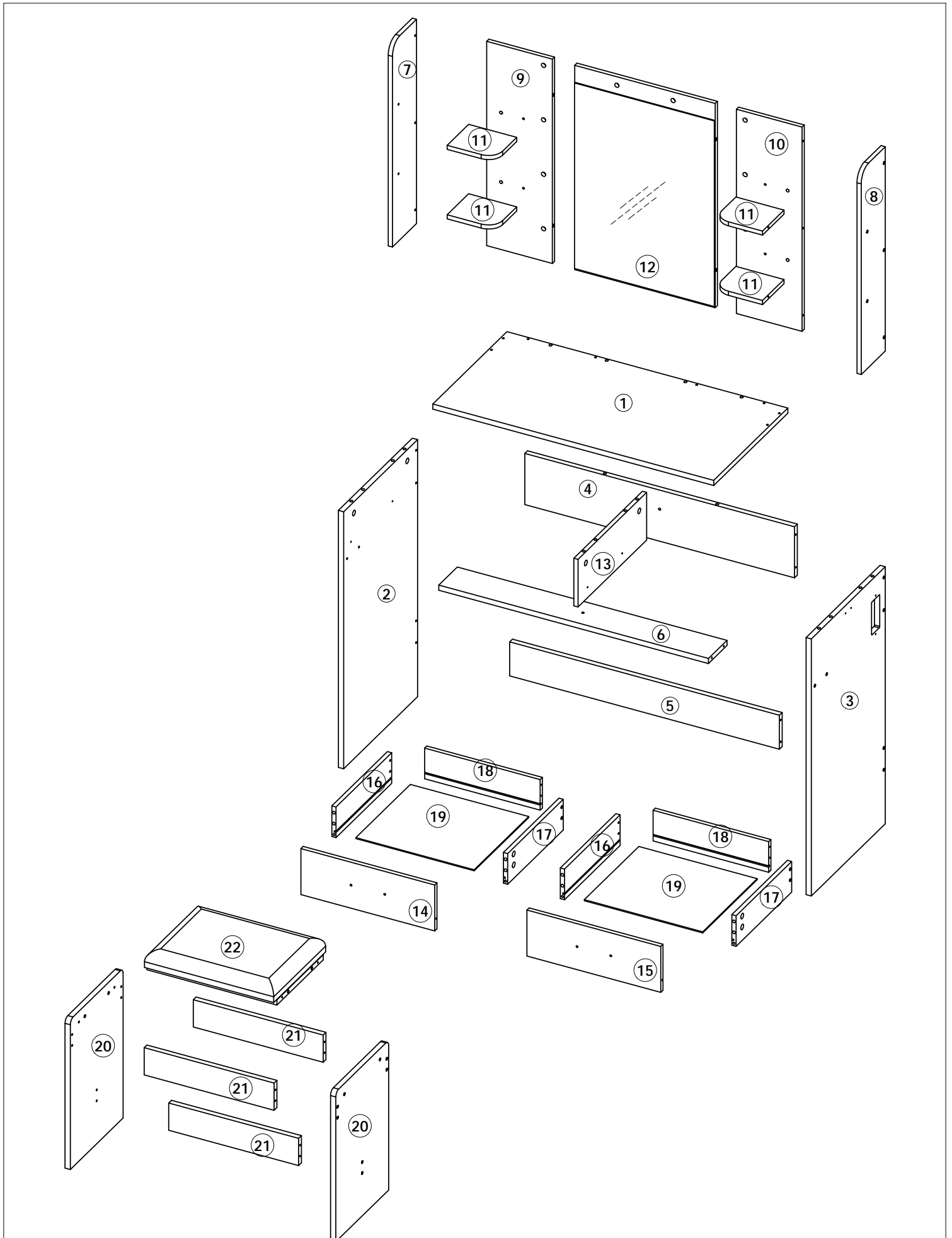
ASSEMBLY INSTRUCTIONS



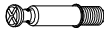



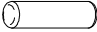

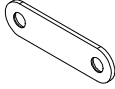


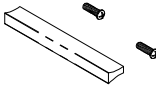
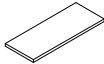



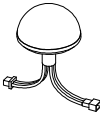
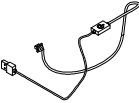
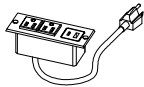

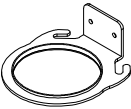
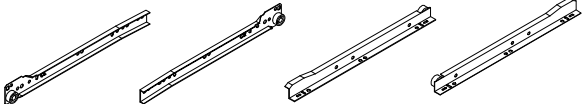
CABINET PARTS

<p>①</p>  <p>x 1</p>	<p>②</p>  <p>x 1</p>	<p>③</p>  <p>x 1</p>	<p>④</p>  <p>x 1</p>
<p>⑤</p>  <p>x 1</p>	<p>⑥</p>  <p>x 1</p>	<p>⑦</p>  <p>x 1</p>	<p>⑧</p>  <p>x 1</p>
<p>⑨</p>  <p>x 1</p>	<p>⑩</p>  <p>x 1</p>	<p>⑪</p>  <p>x 4</p>	<p>⑫</p>  <p>x 1</p>
<p>⑬</p>  <p>x 1</p>	<p>⑭</p>  <p>x 1</p>	<p>⑮</p>  <p>x 1</p>	<p>⑯</p>  <p>x 2</p>
<p>⑰</p>  <p>x 2</p>	<p>⑱</p>  <p>x 2</p>	<p>⑲</p>  <p>x 2</p>	<p>⑳</p>  <p>x 2</p>
<p>㉑</p>  <p>x 3</p>	<p>㉒</p>  <p>x 1</p>		

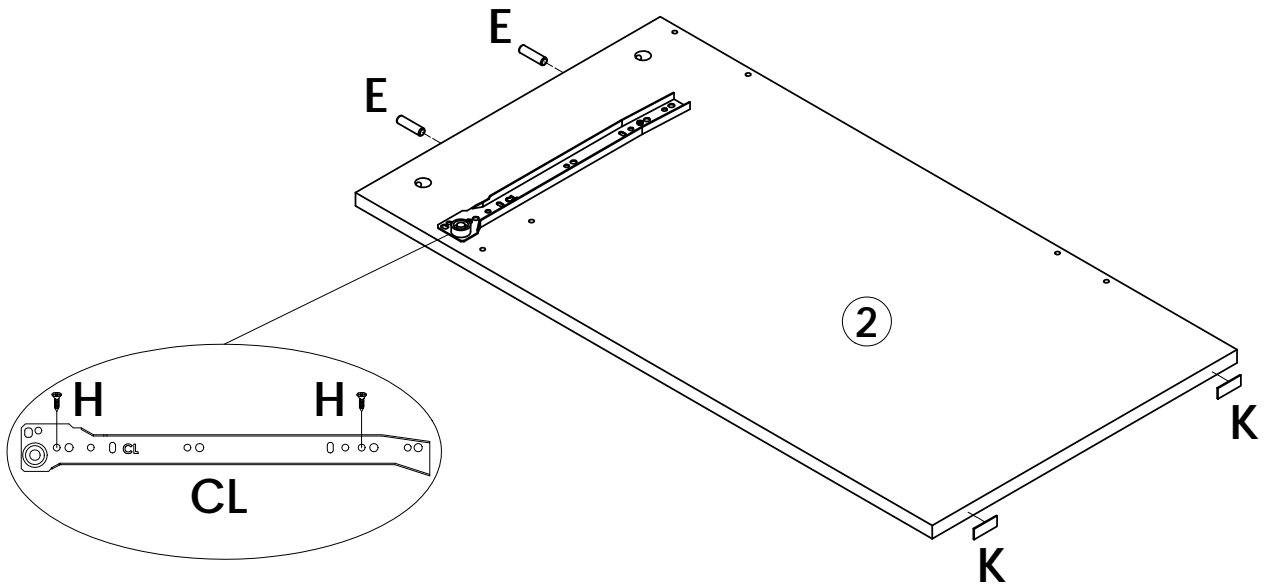
CABINET PARTS

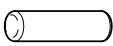

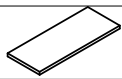



PARTS

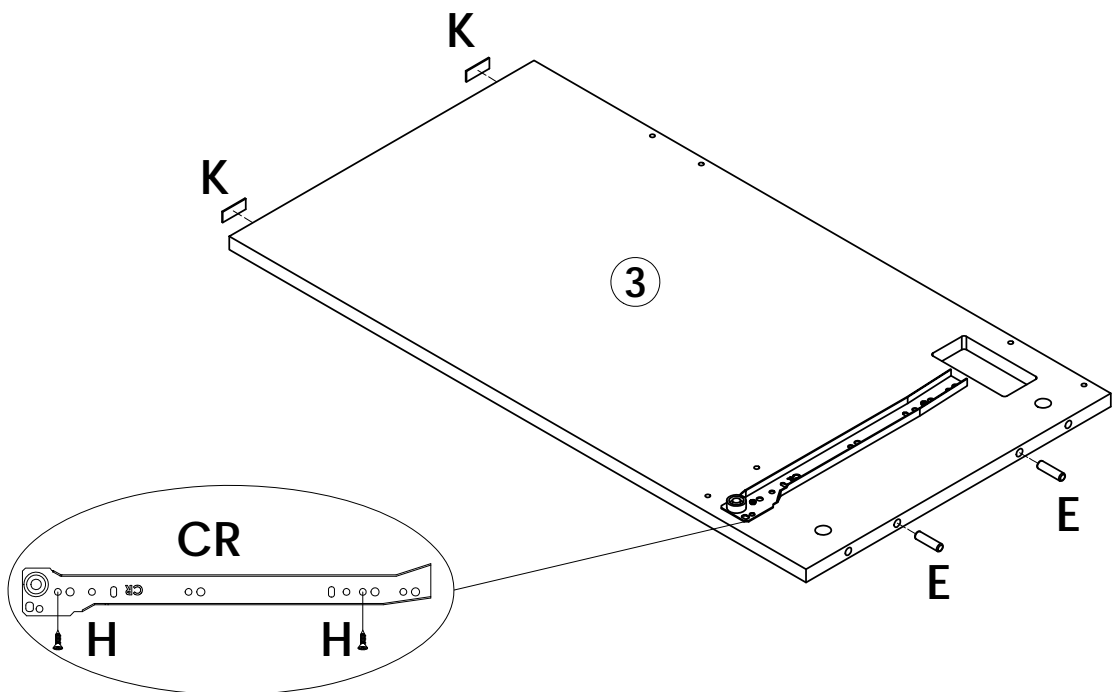
A	x 16+1	B	x 16+1	C	x 52+1	D	x 38+4
							
M6x 40		M15x 9.5		M5x 40		M15	
E	x 22+1	F	x 4	G	x 6	H	x 30+2
							
M8x30		M6x30				M3x12	
I	x 8+1	J	x 2+1	K	x 8	L	x 1
							
M3. 5x35		M4x15				M4x12	
M	x 1	N	x 10+2	O	x 1	P	x 1
 							
M4x35 M6x30							
Q	x 2	R	x 1	S	x 2		
							
M4x12				CL CR DL DR L300mm			

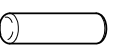



STEP 1



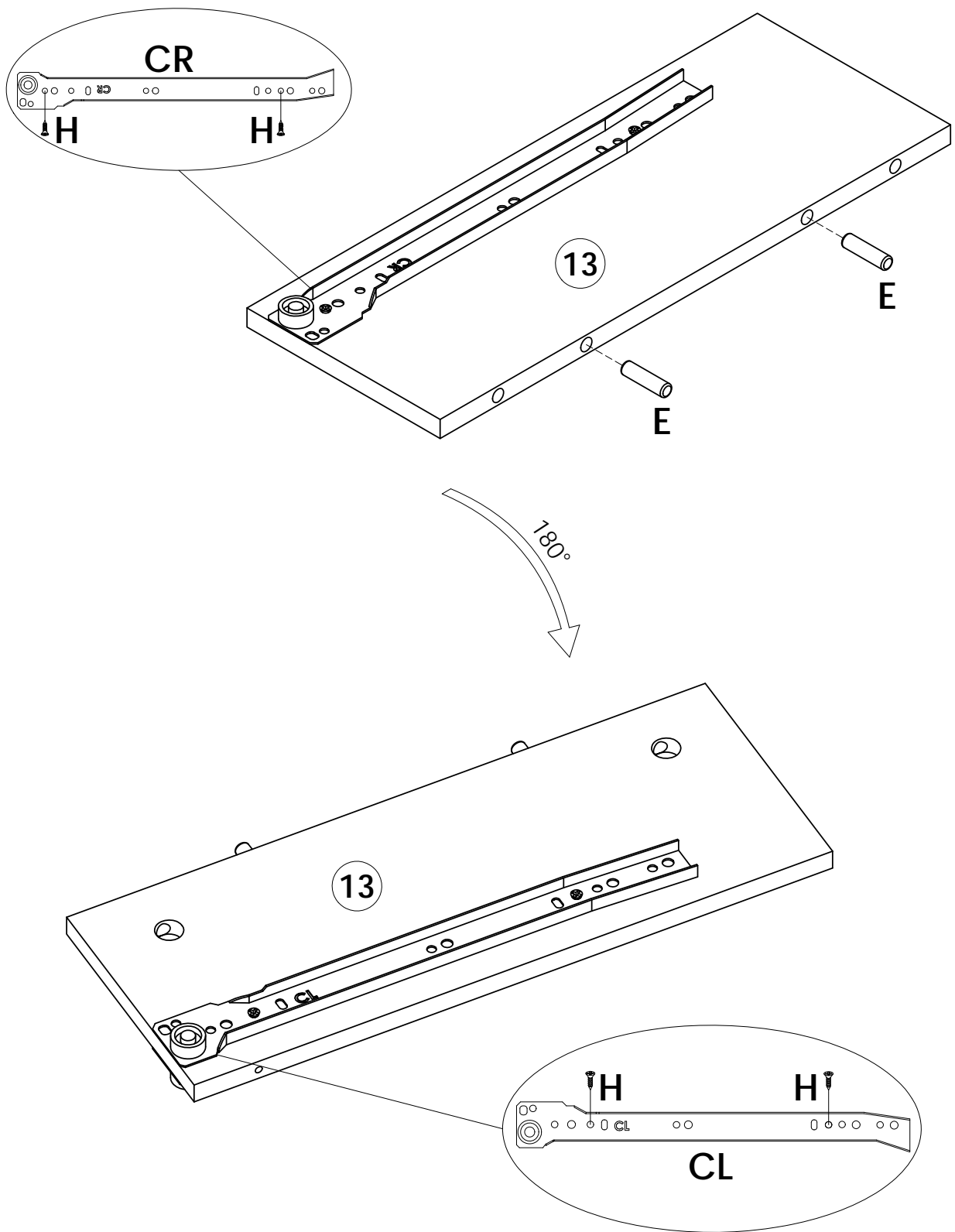
	E x 2				
	H x 2		K x 2		CL x 1

STEP 2



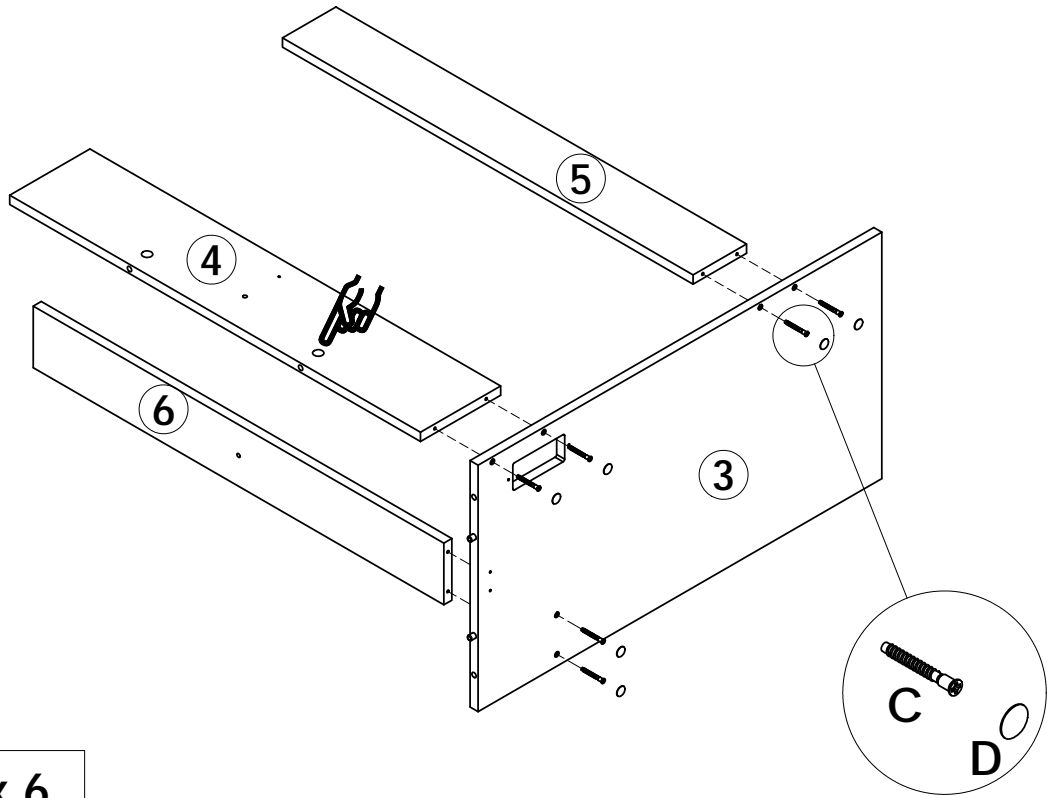
	E x 2				
	H x 2		K x 2		CR x 1



STEP 3



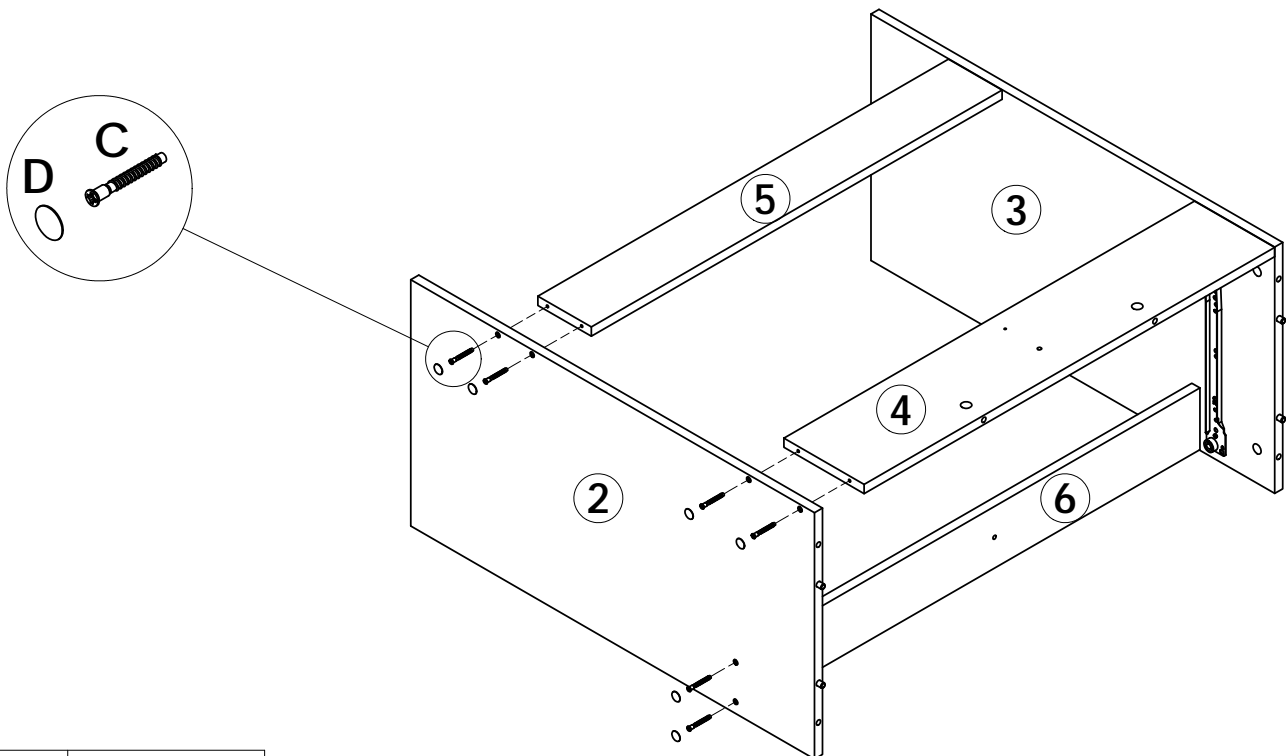
	E x 2				
	H x 4		CL x 1		CR x 1



STEP 4



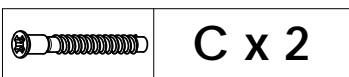
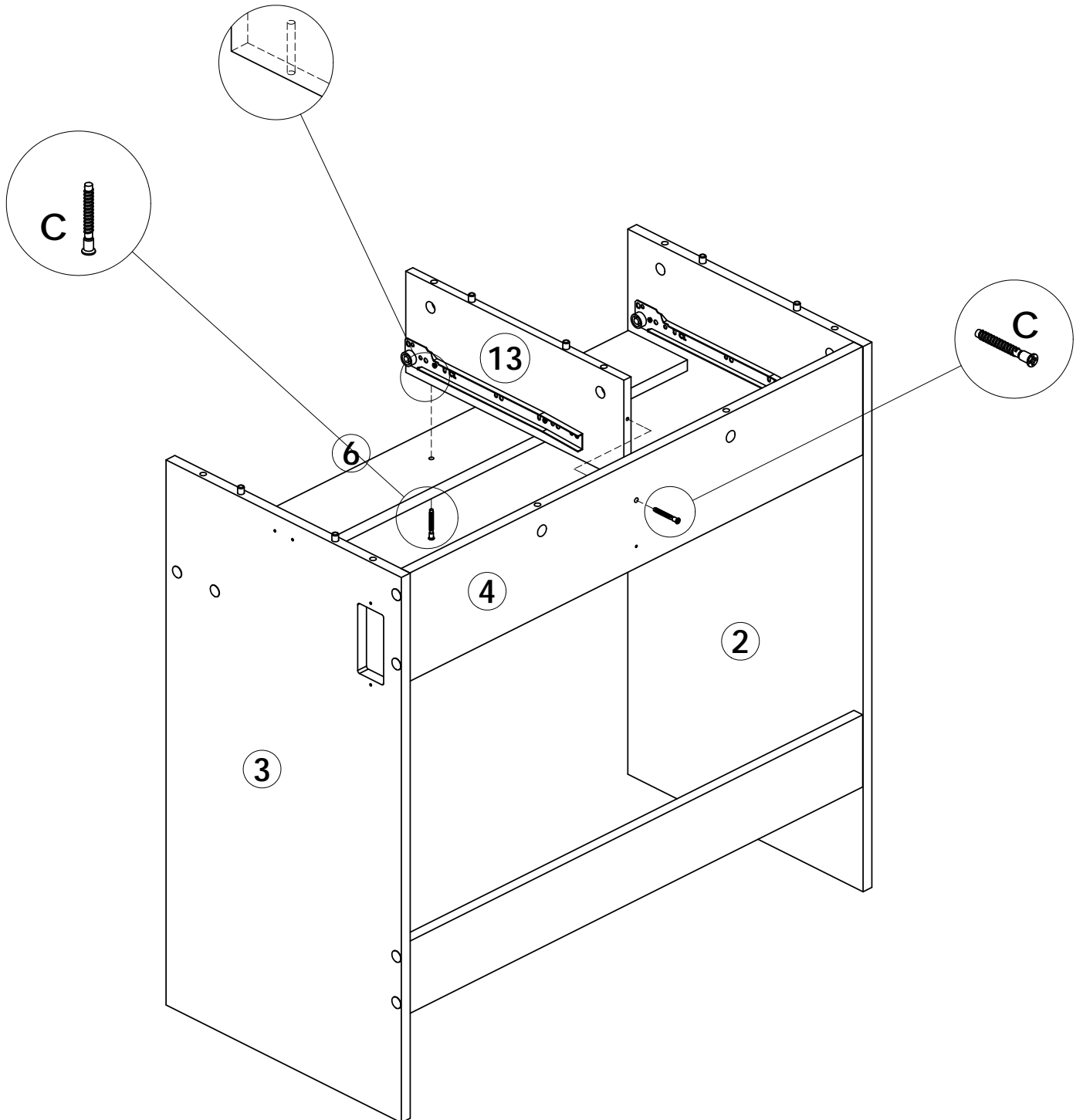
	C x 6
	D x 6

STEP 5

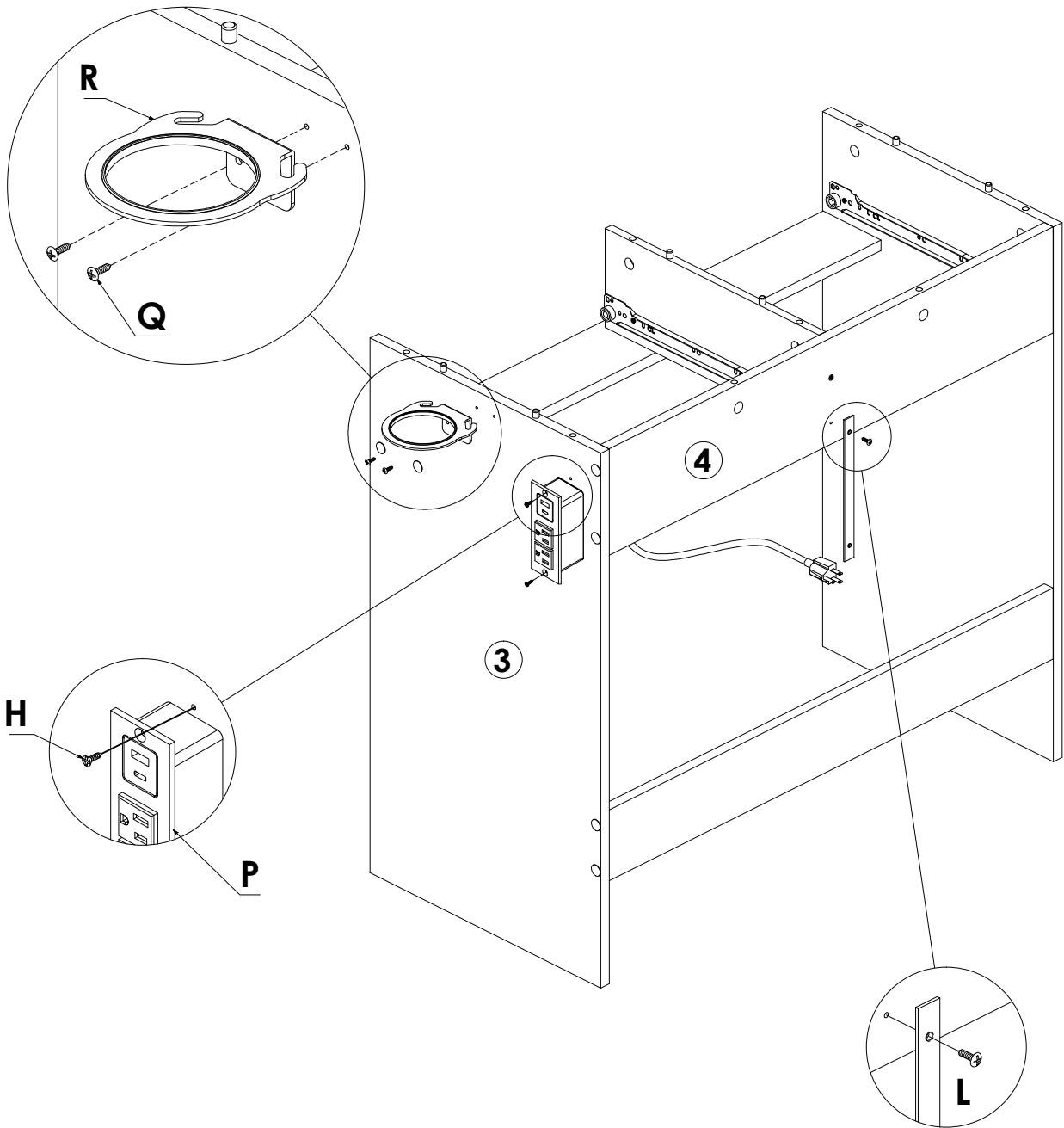







	C x 6
	D x 6

STEP 6

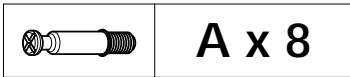
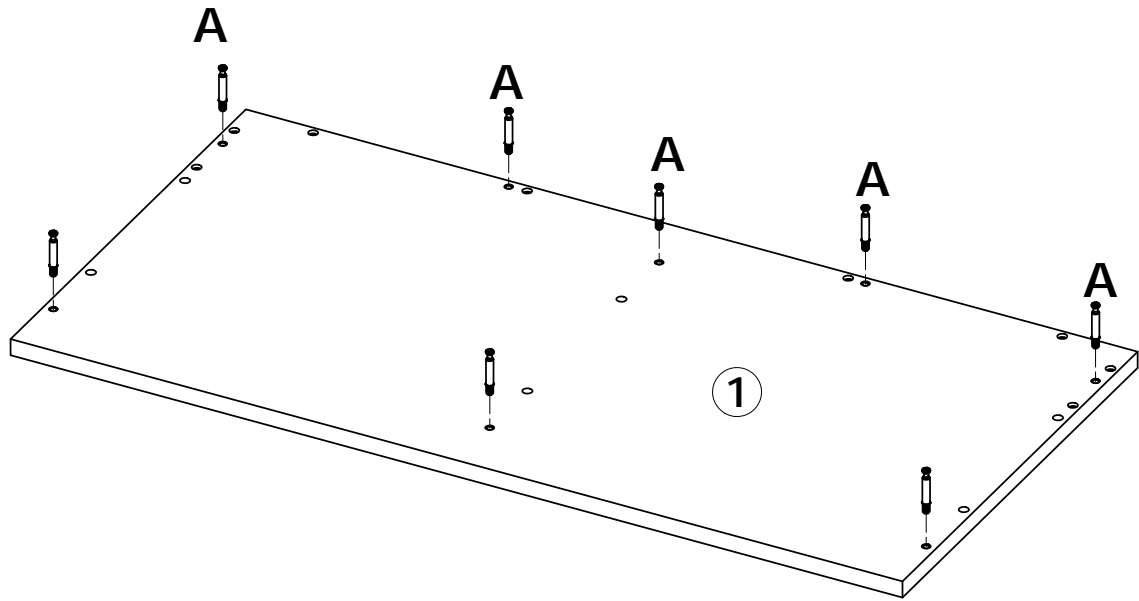


STEP 7

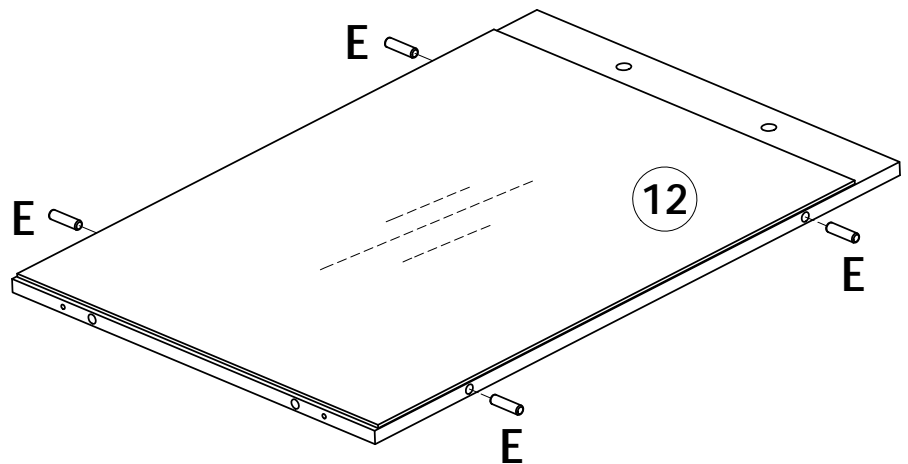
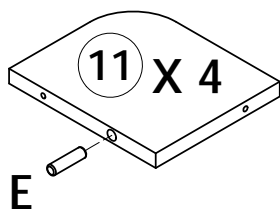


	H x 2		
	L x 1		Q x 2
	P x 1		R x 1

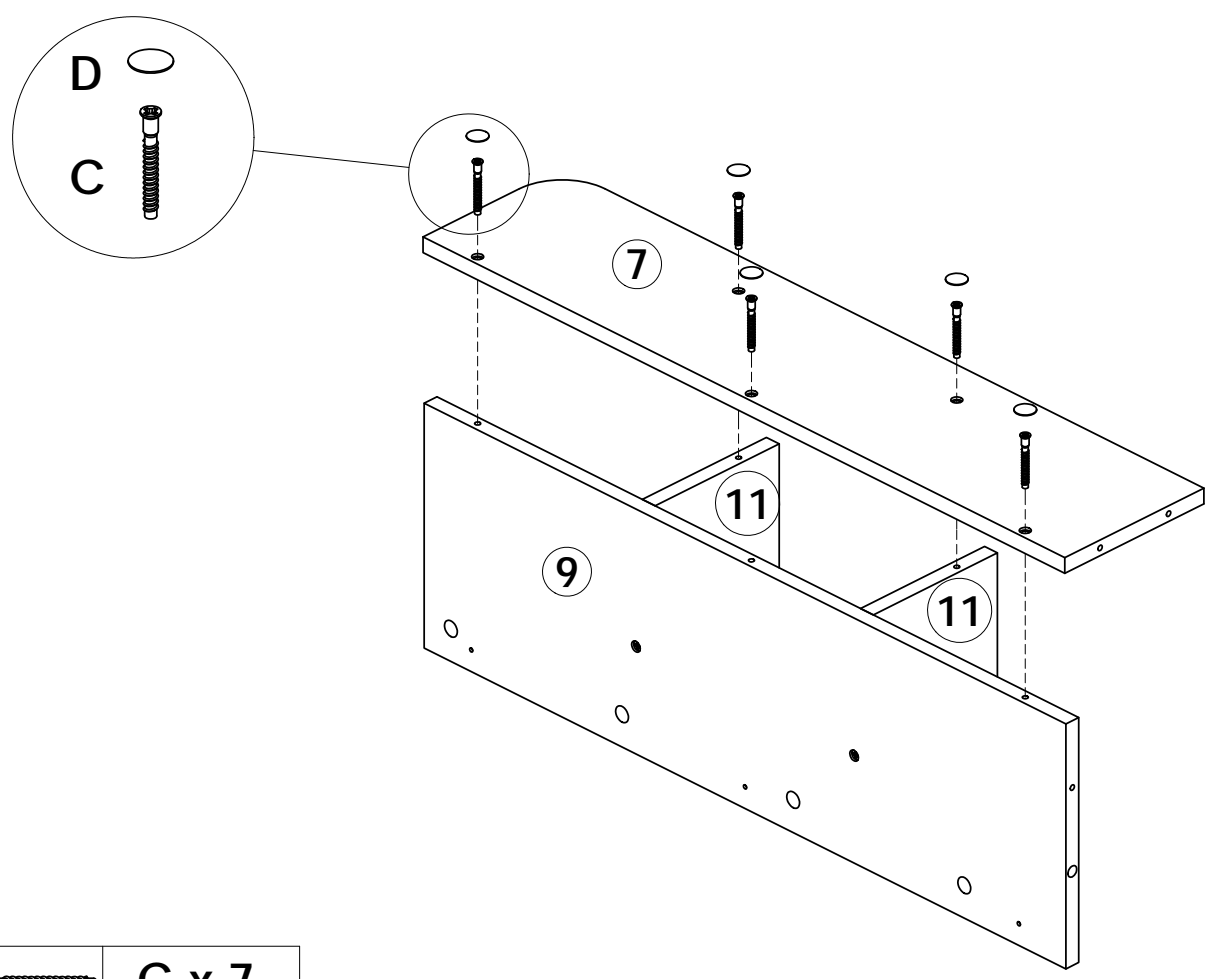
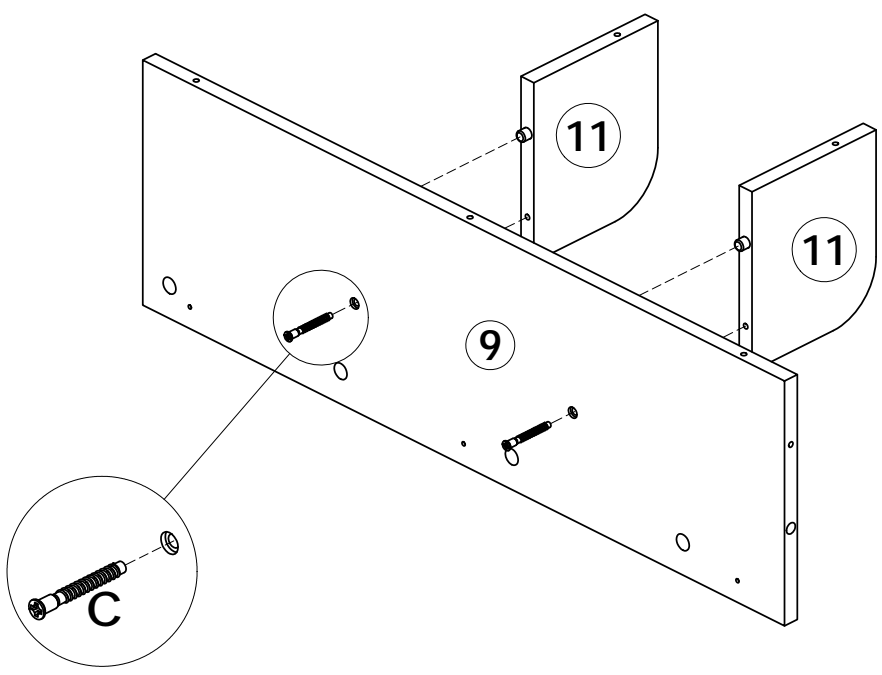
STEP 8





STEP 9

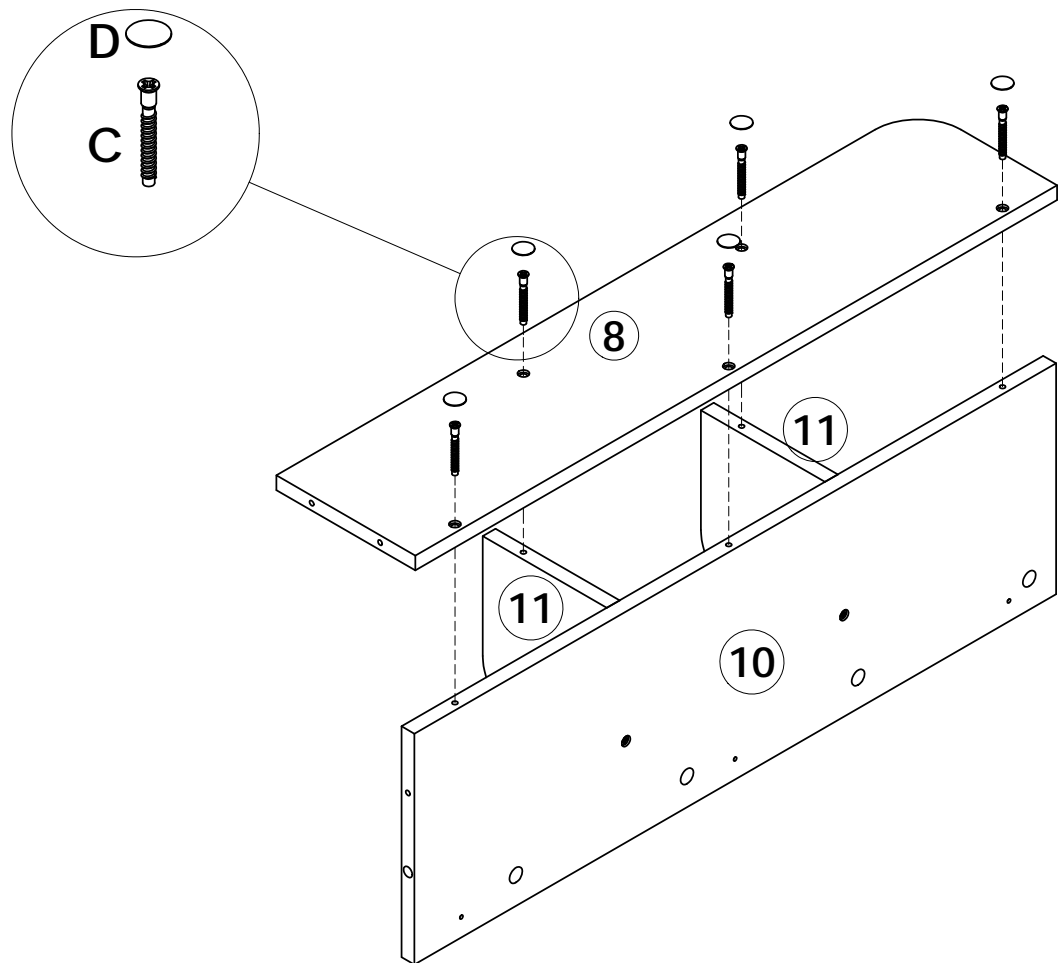
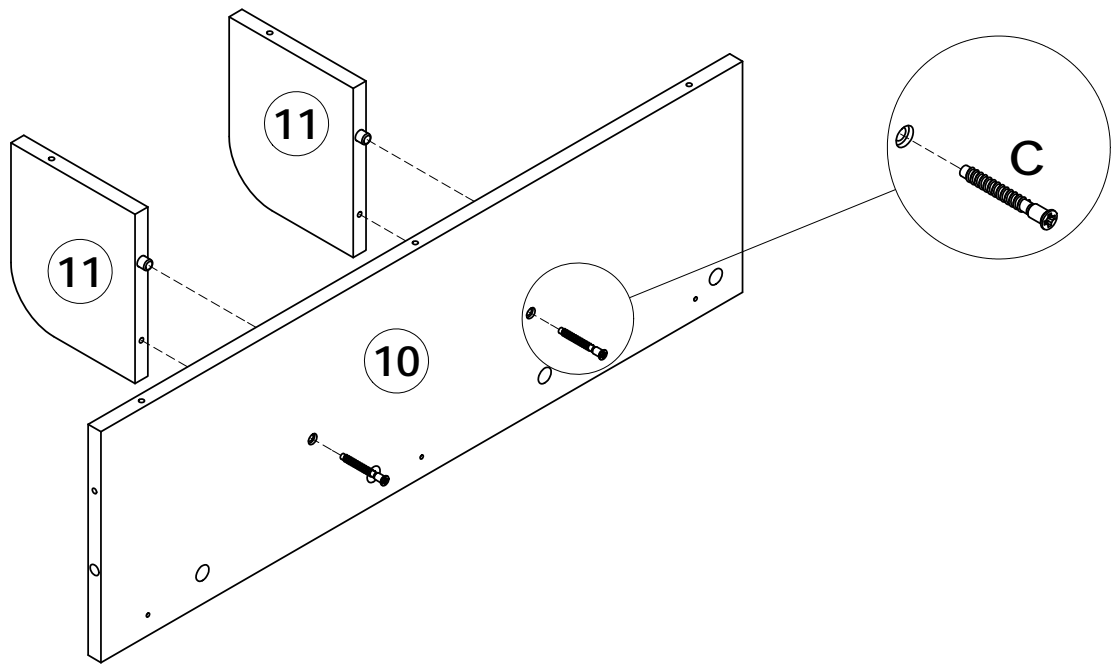




STEP 10



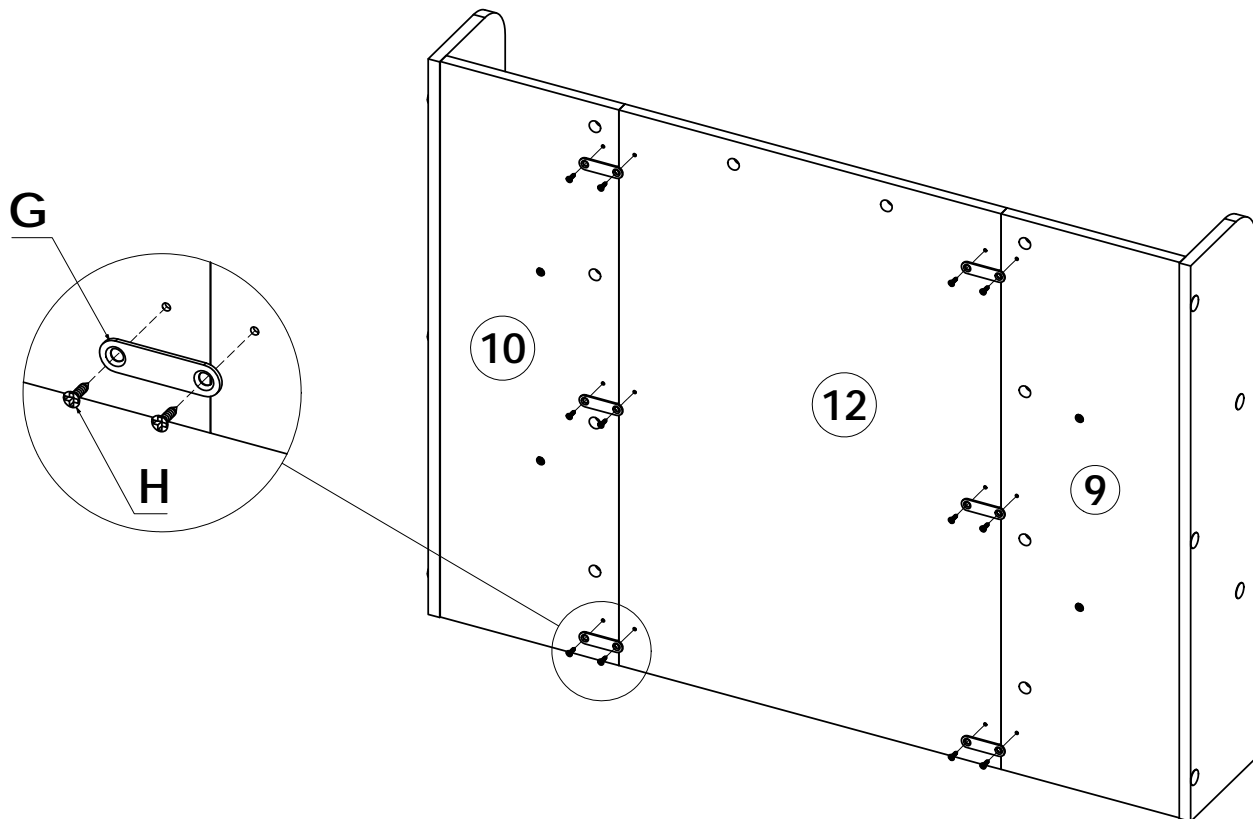
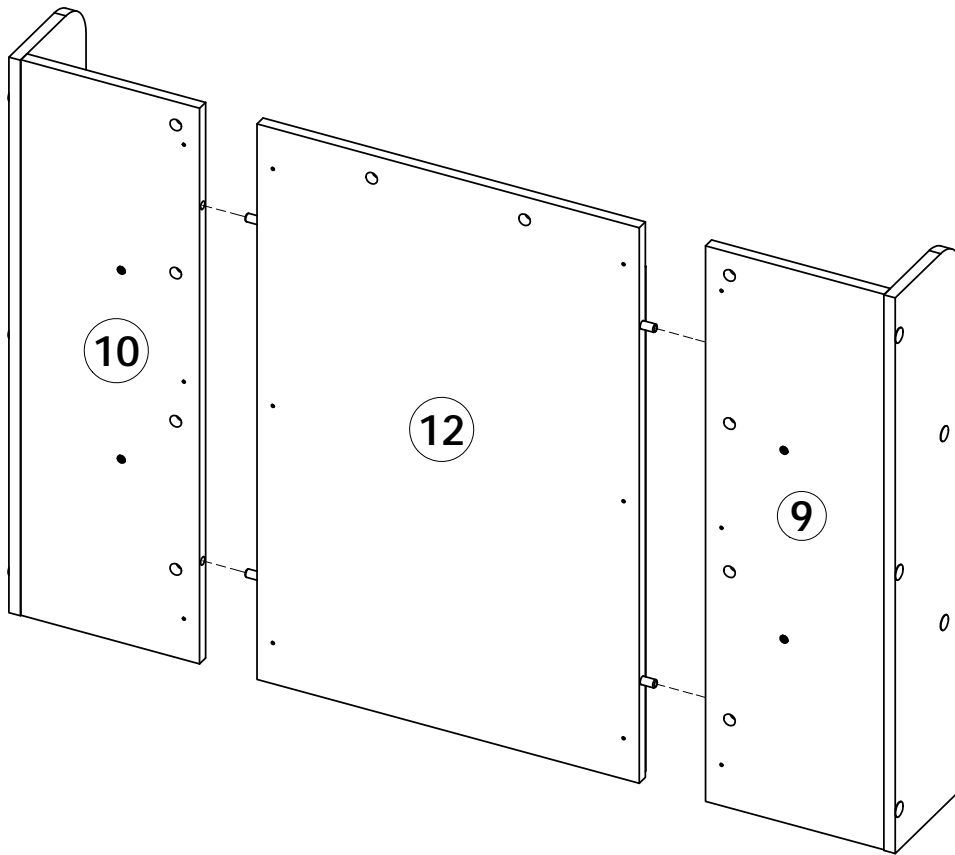
	C x 7
	D x 5

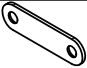

STEP 11



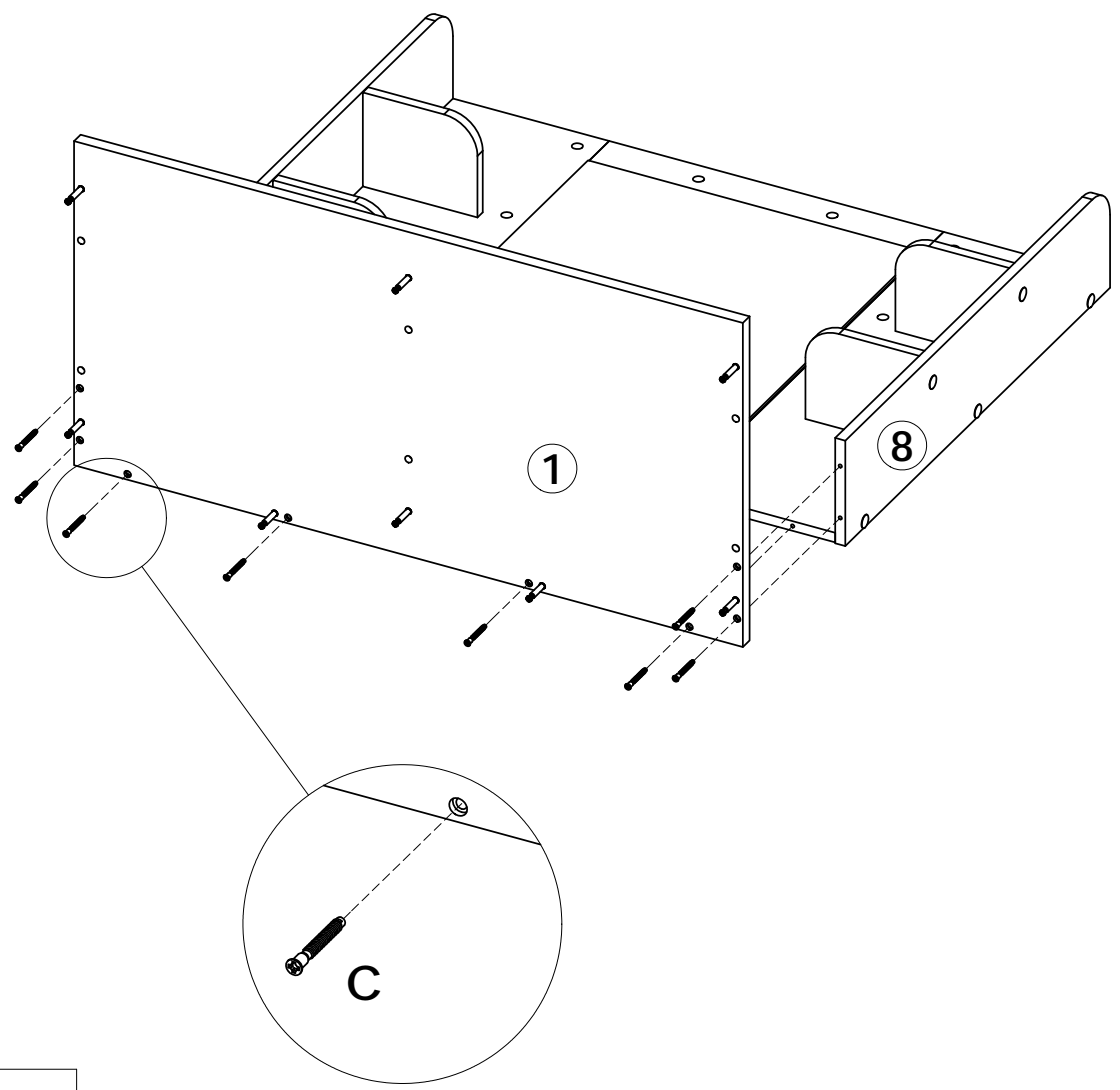
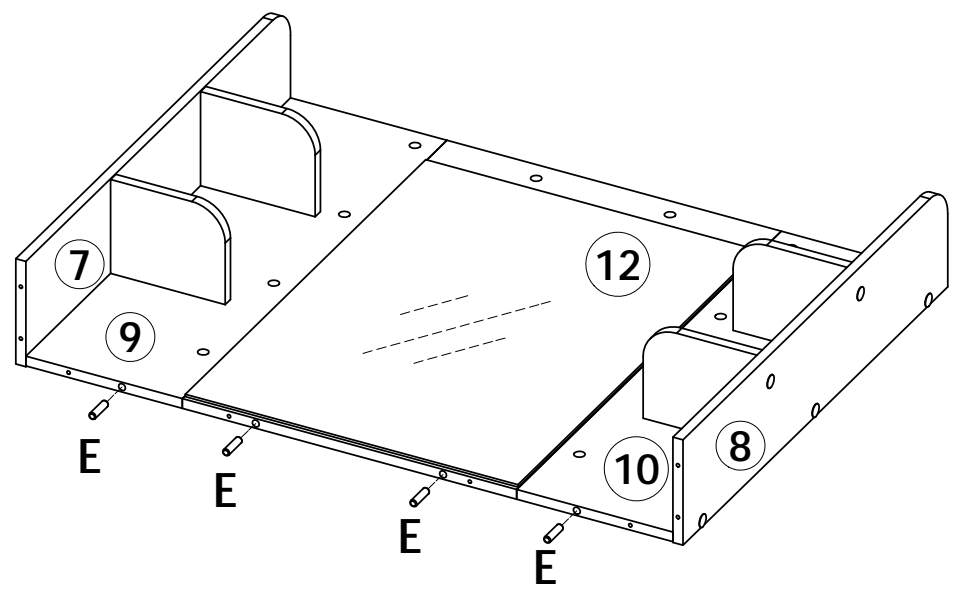
	C x 7
	D x 5

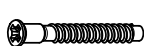
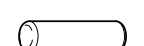
STEP 12



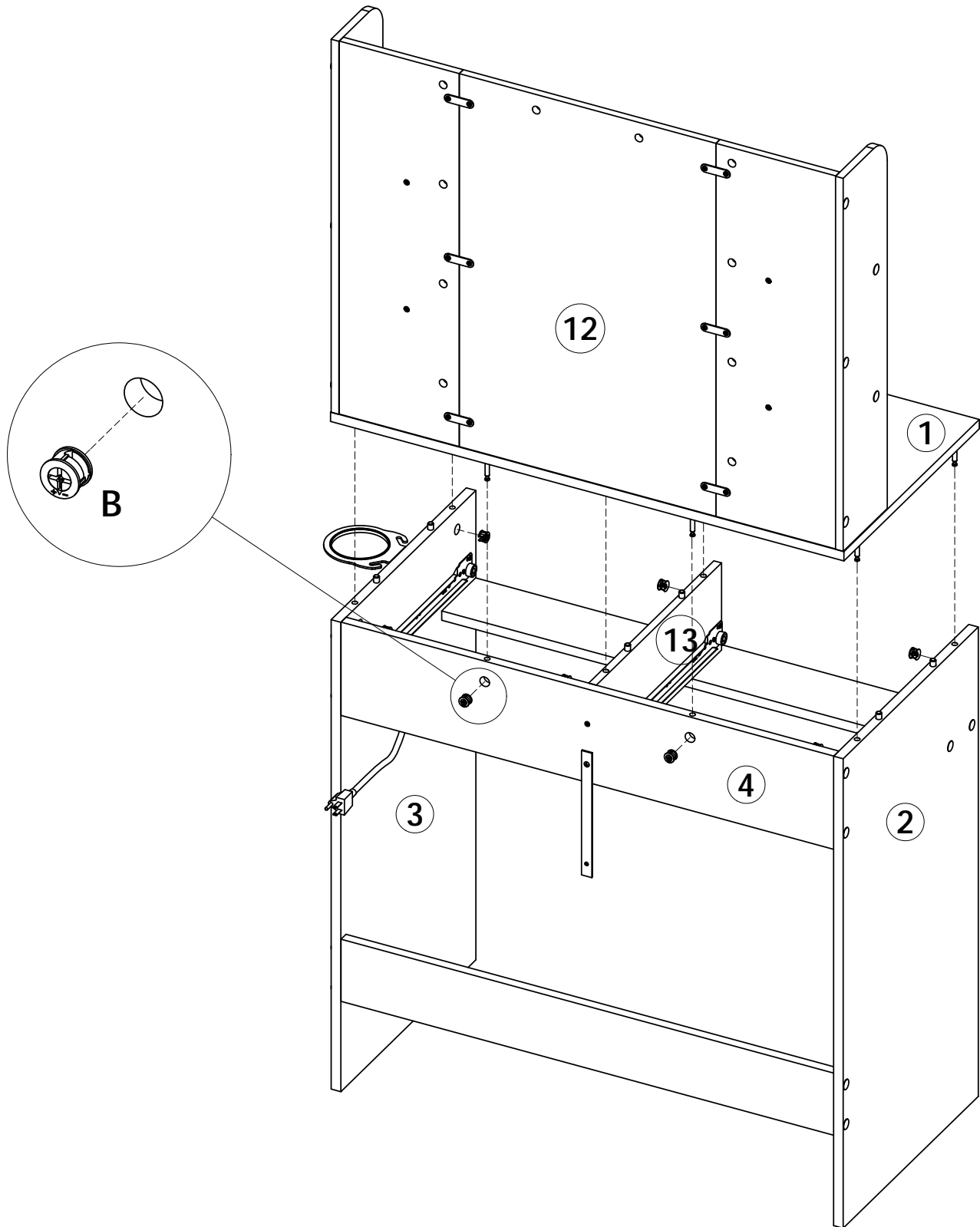
	G x 6
	H x 12

STEP 13



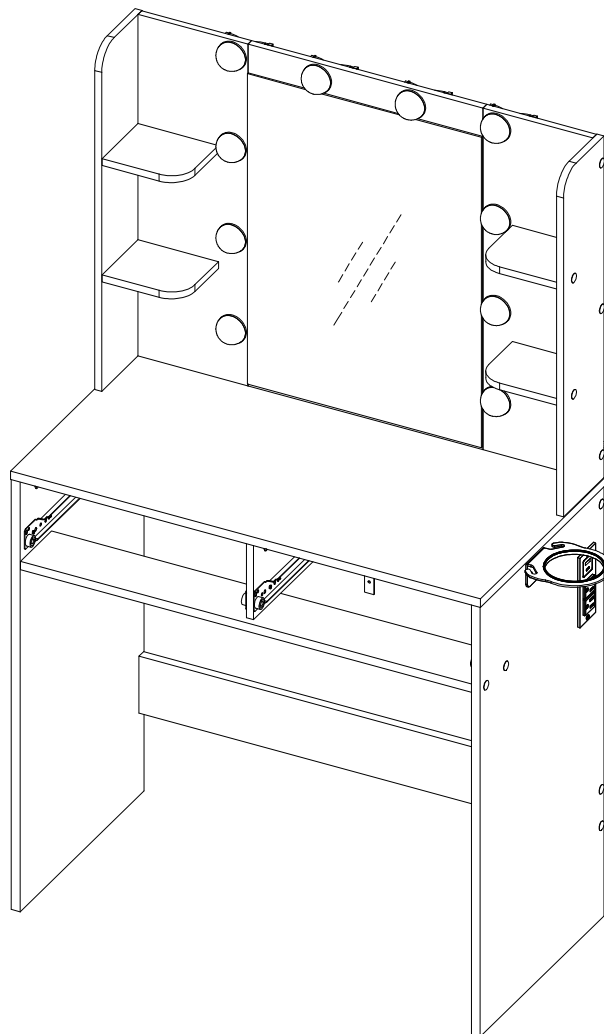
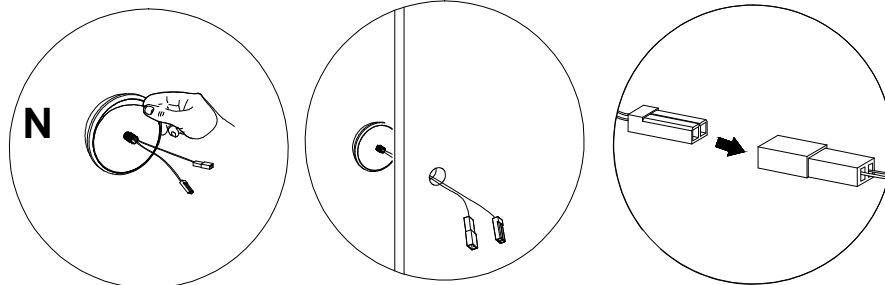
	C x 8
	E x 4

STEP 14

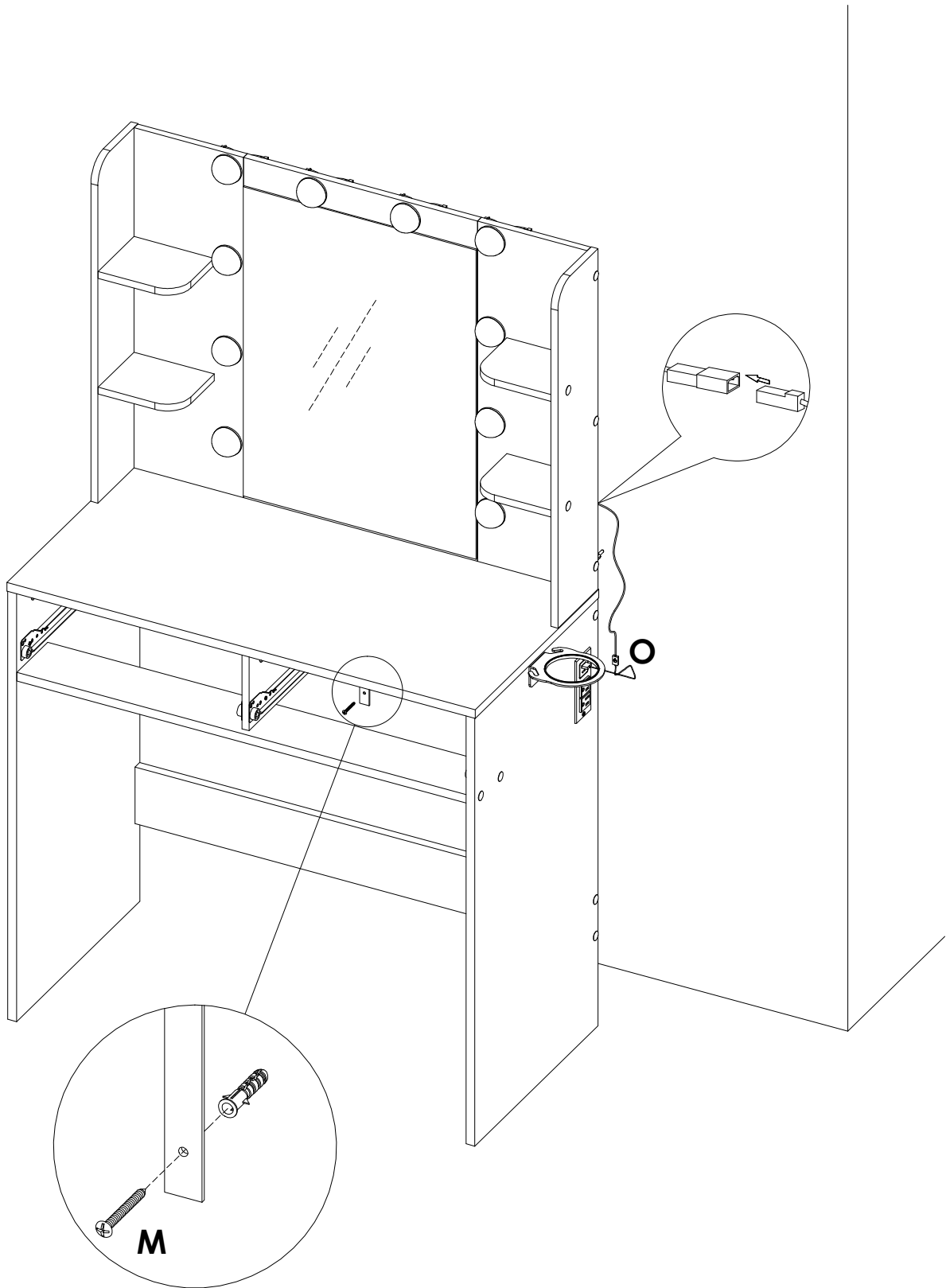


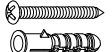

STEP 15

Before attaching the bulb to the mirror panel, please remove the white sticker from the back of the bulbs

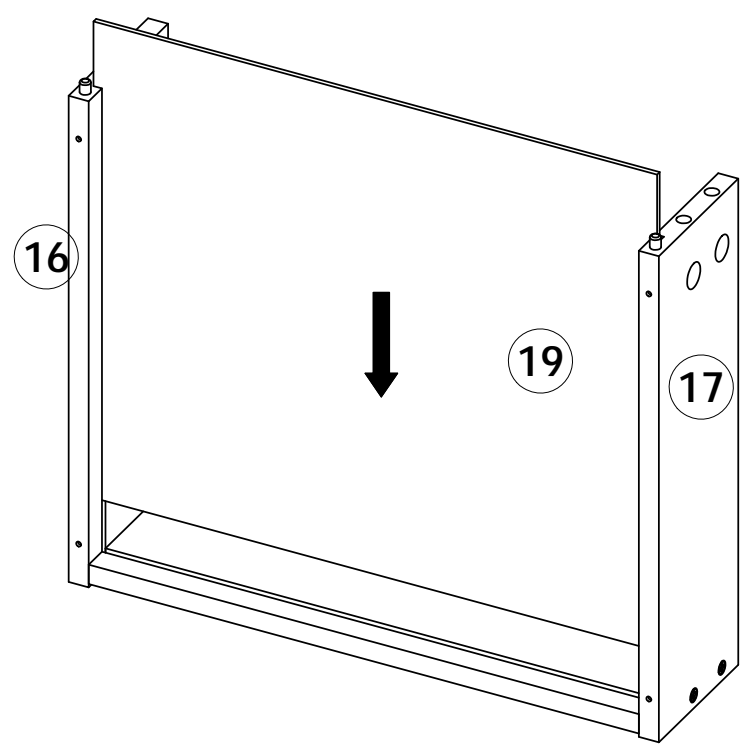
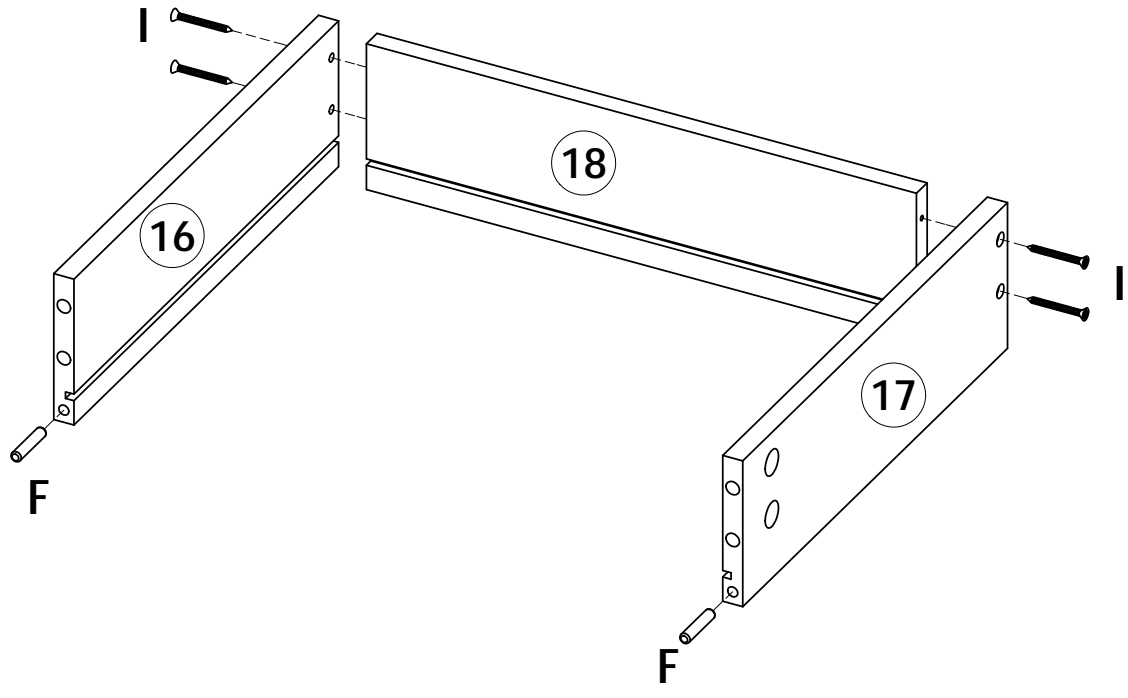


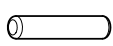

STEP 16



	M x 1		O x 1
---	--------------	---	--------------

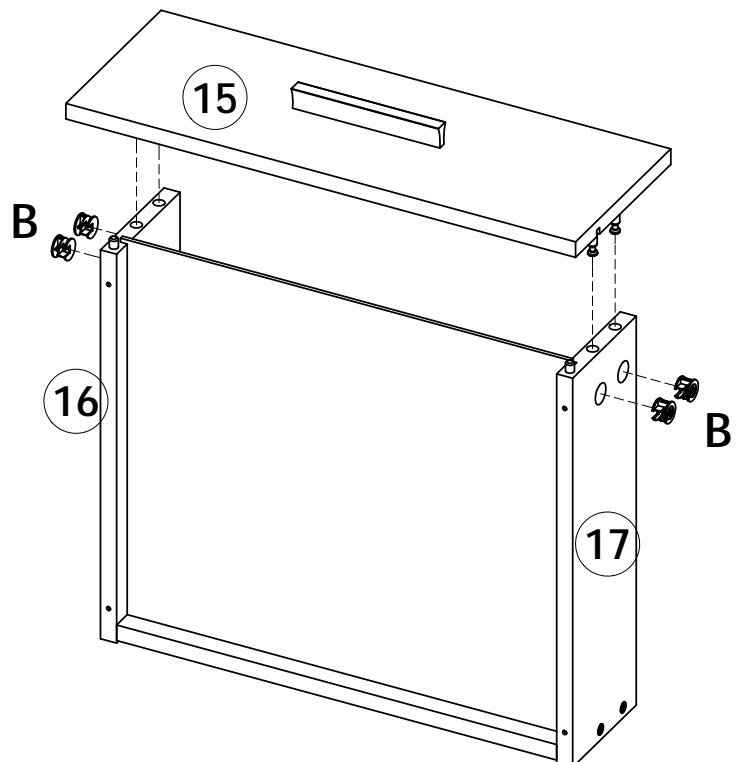
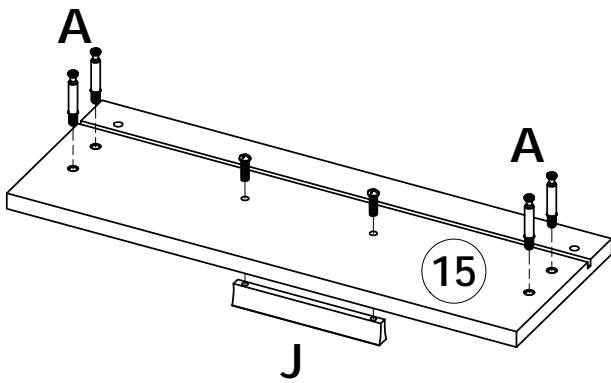
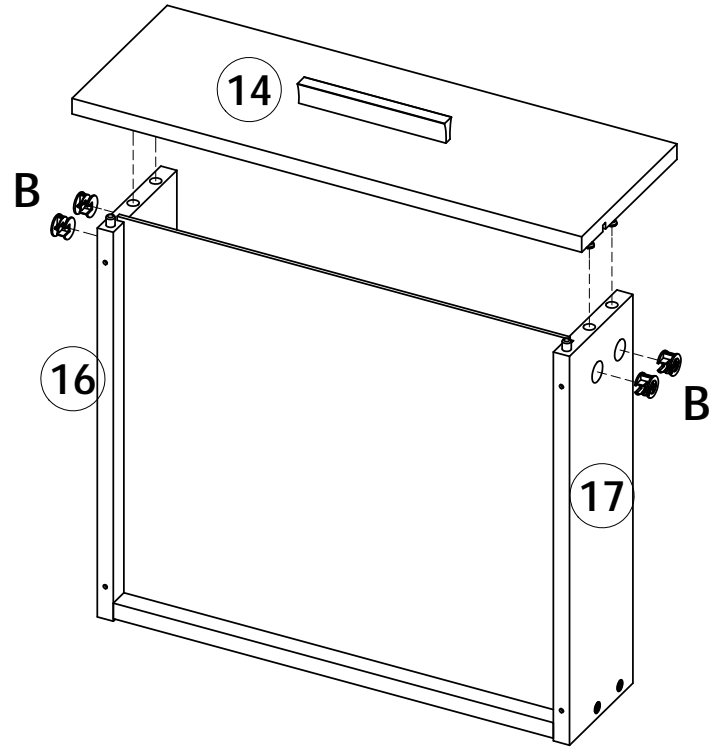
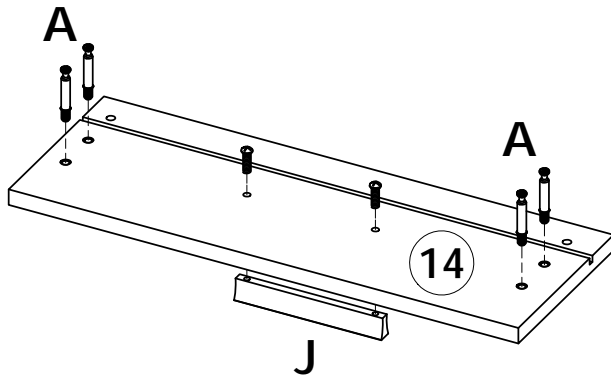
STEP 17

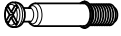




	F x 4
	I x 8

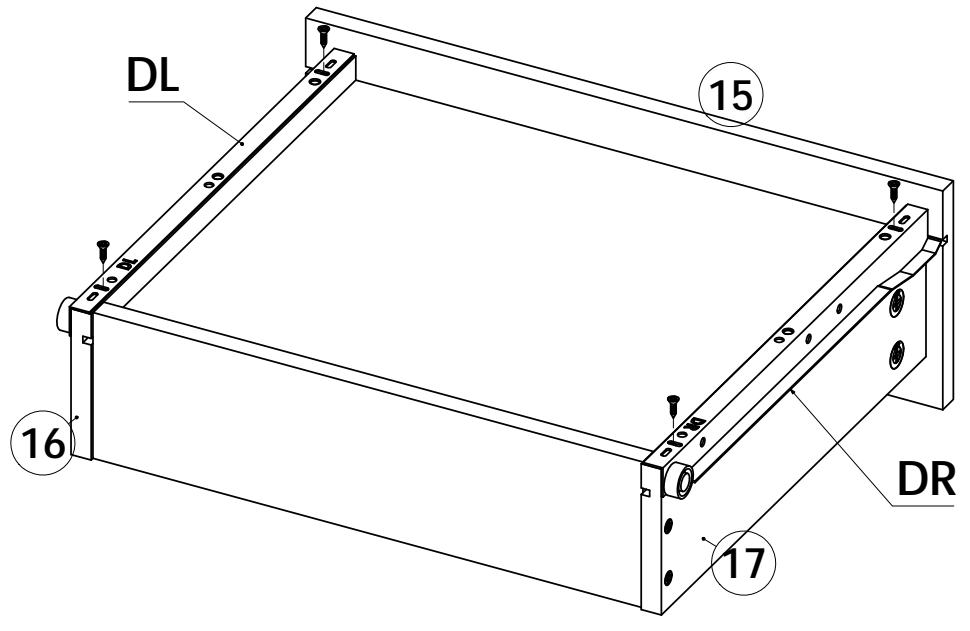
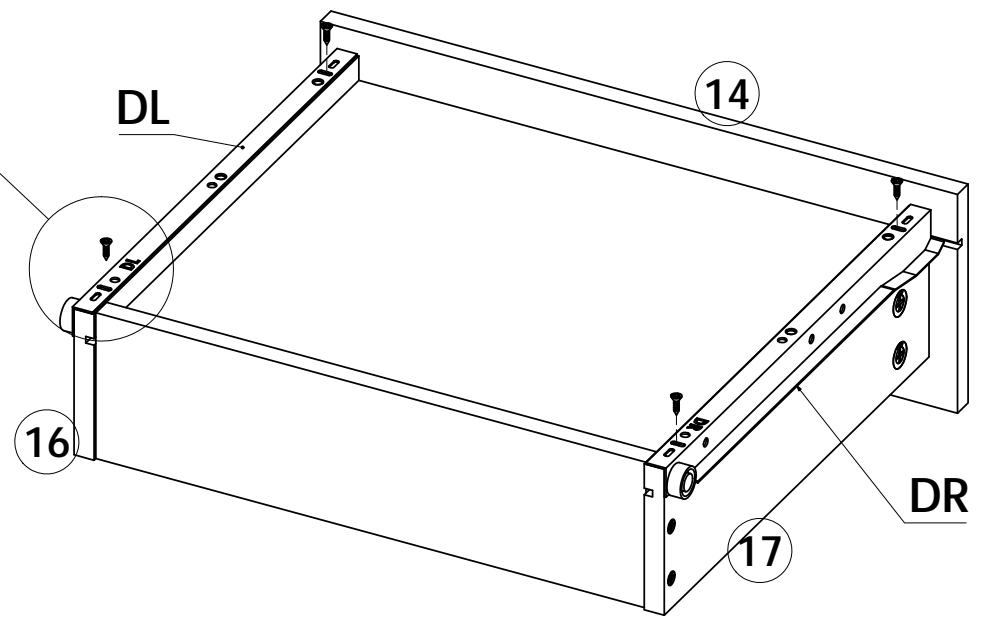
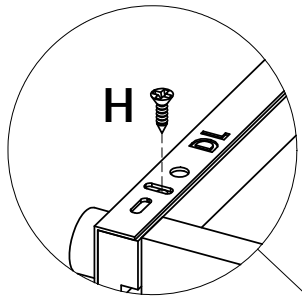
x2




STEP 18



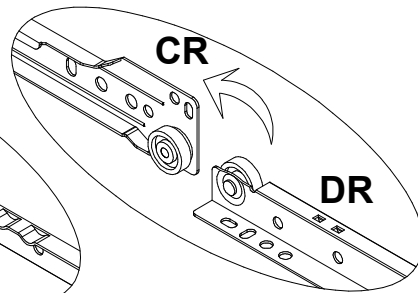
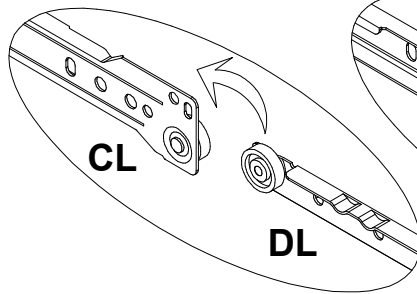
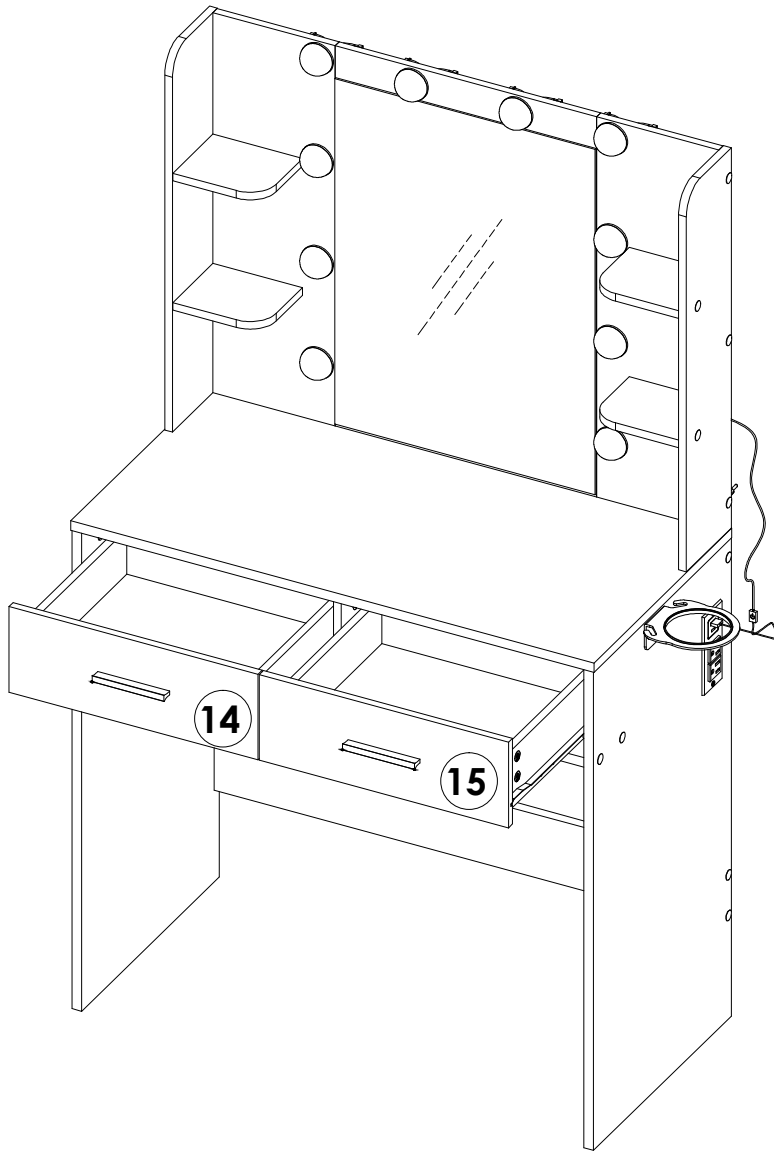
	A x 8
	B x 8
	J x 2

STEP 19

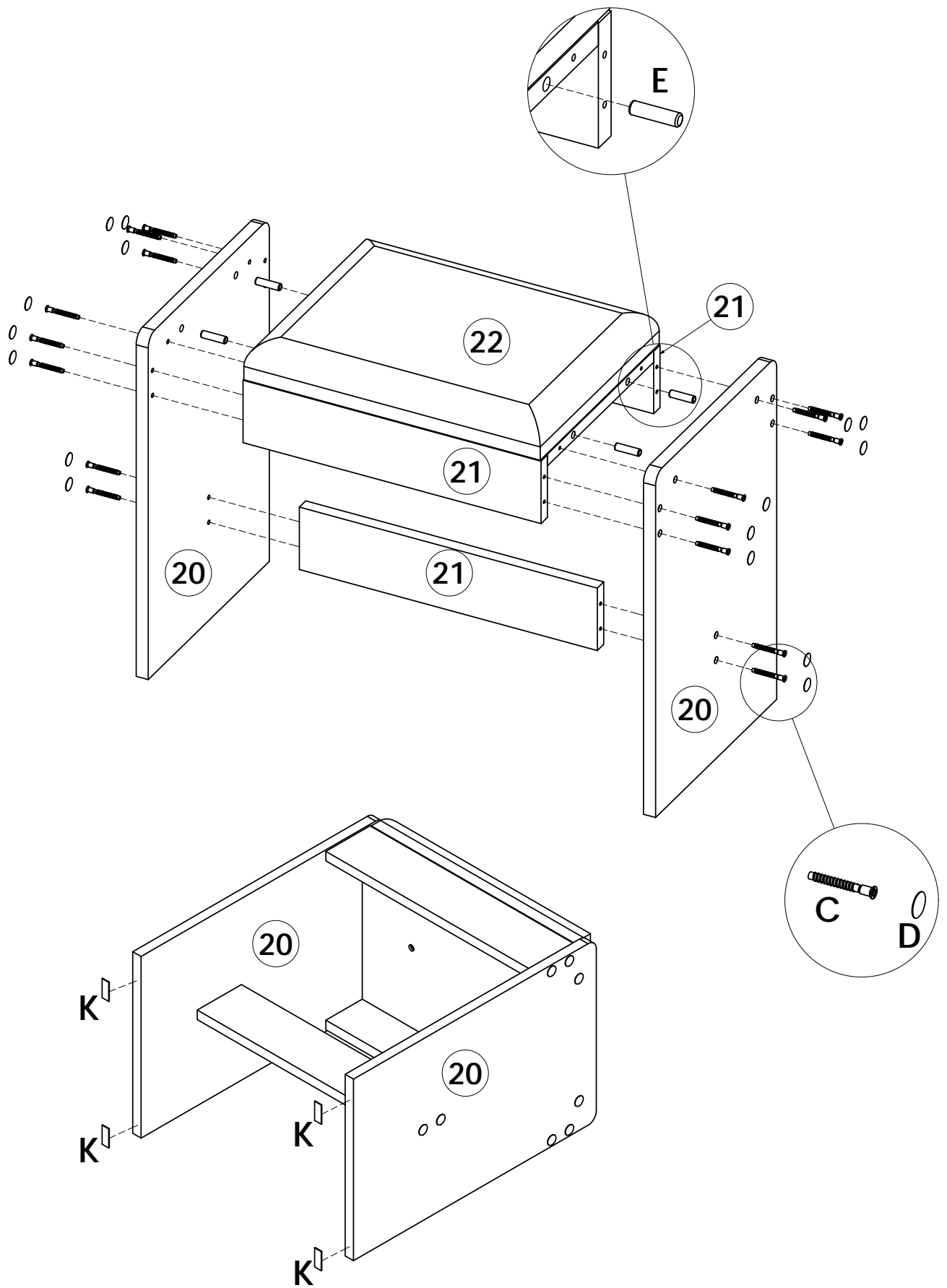



	H x 8
	DL x 2
	DR x 2


STEP 20

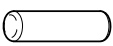



STEP 21



	C x 16
--	---------------

	D x 16
---	---------------

	E x 4		K x 4
--	--------------	---	--------------