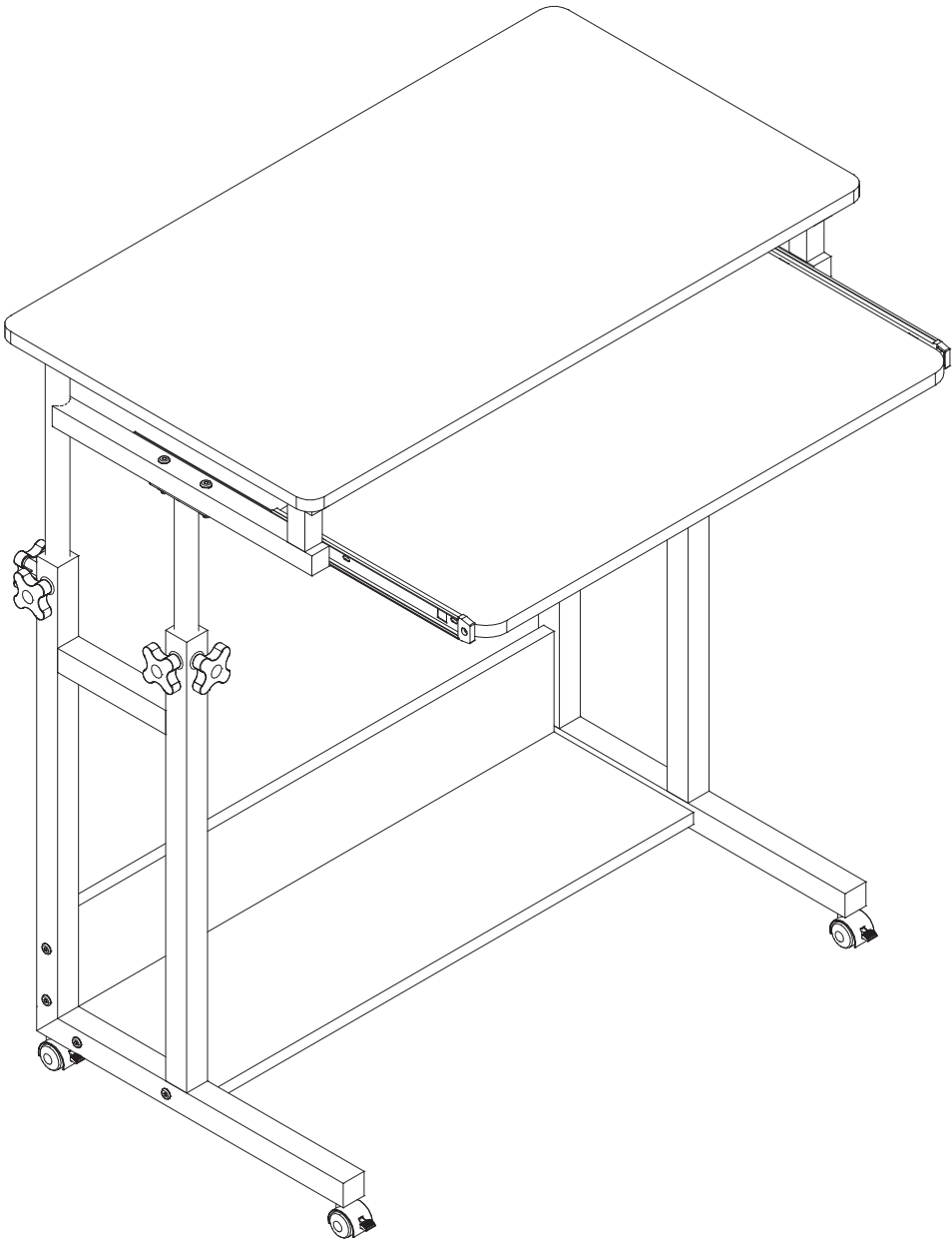


Assembly Instructions



Multifunctional Computer Desk

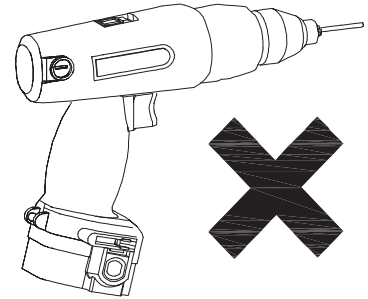
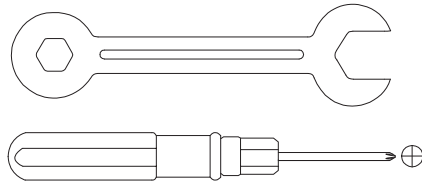
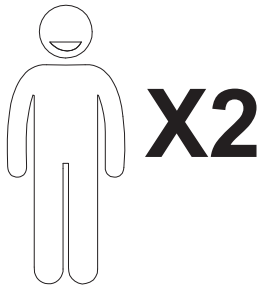
Contact Us

We're here to help you.

Your satisfaction is our top priority. If you encounter any issues with this product, such as missing or damaged parts, we're here to help. Please retain the original packaging and take photos of the packaging and the product, then contact us as soon as possible.

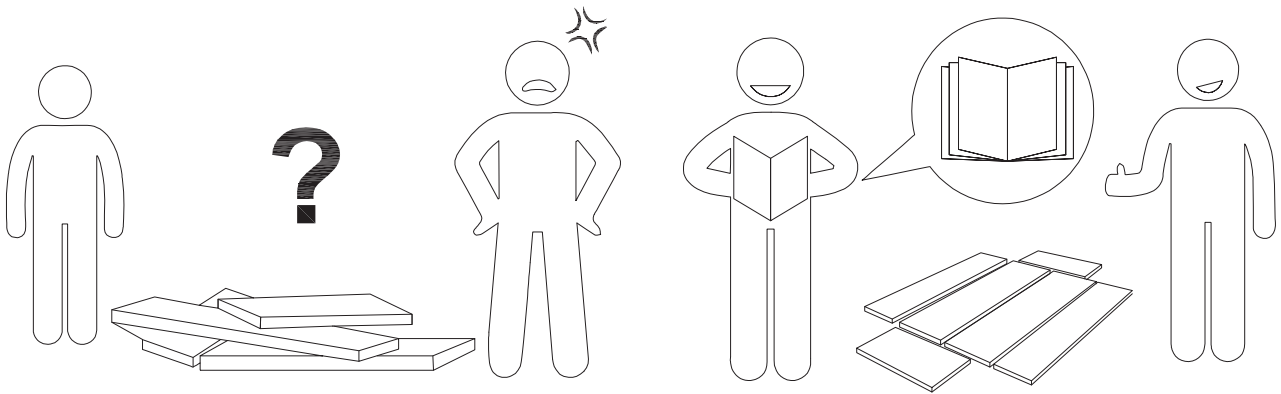
Warm Tips

1. Carefully read these instructions and keep them for future reference.
2. Check the parts list and confirm everything's there before starting assembly.
3. When assembling, put all parts on a soft, smooth surface like a carpet to avoid scratches.
4. Don't fully tighten screws until all parts are confirmed in place to avoid misalignment.



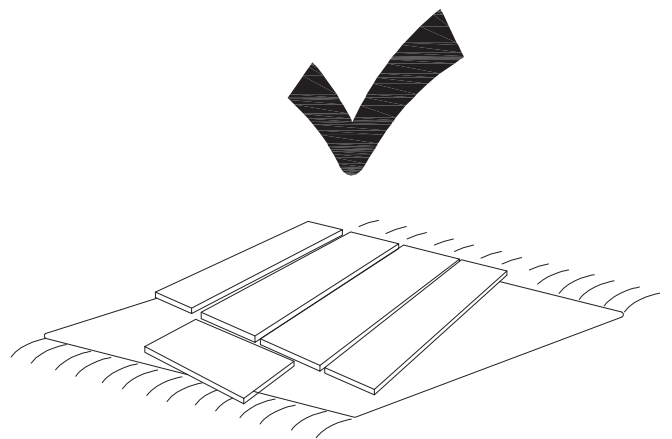
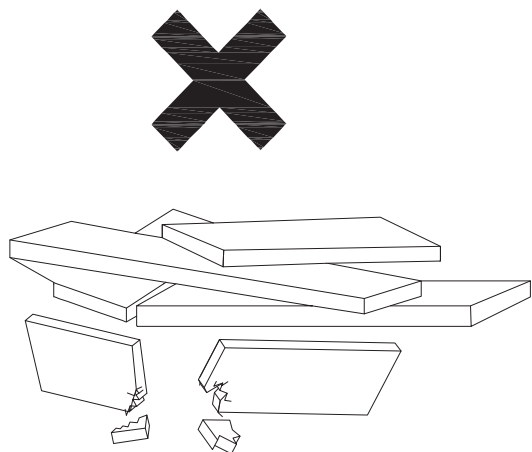
We recommend using hand tools for assembly.

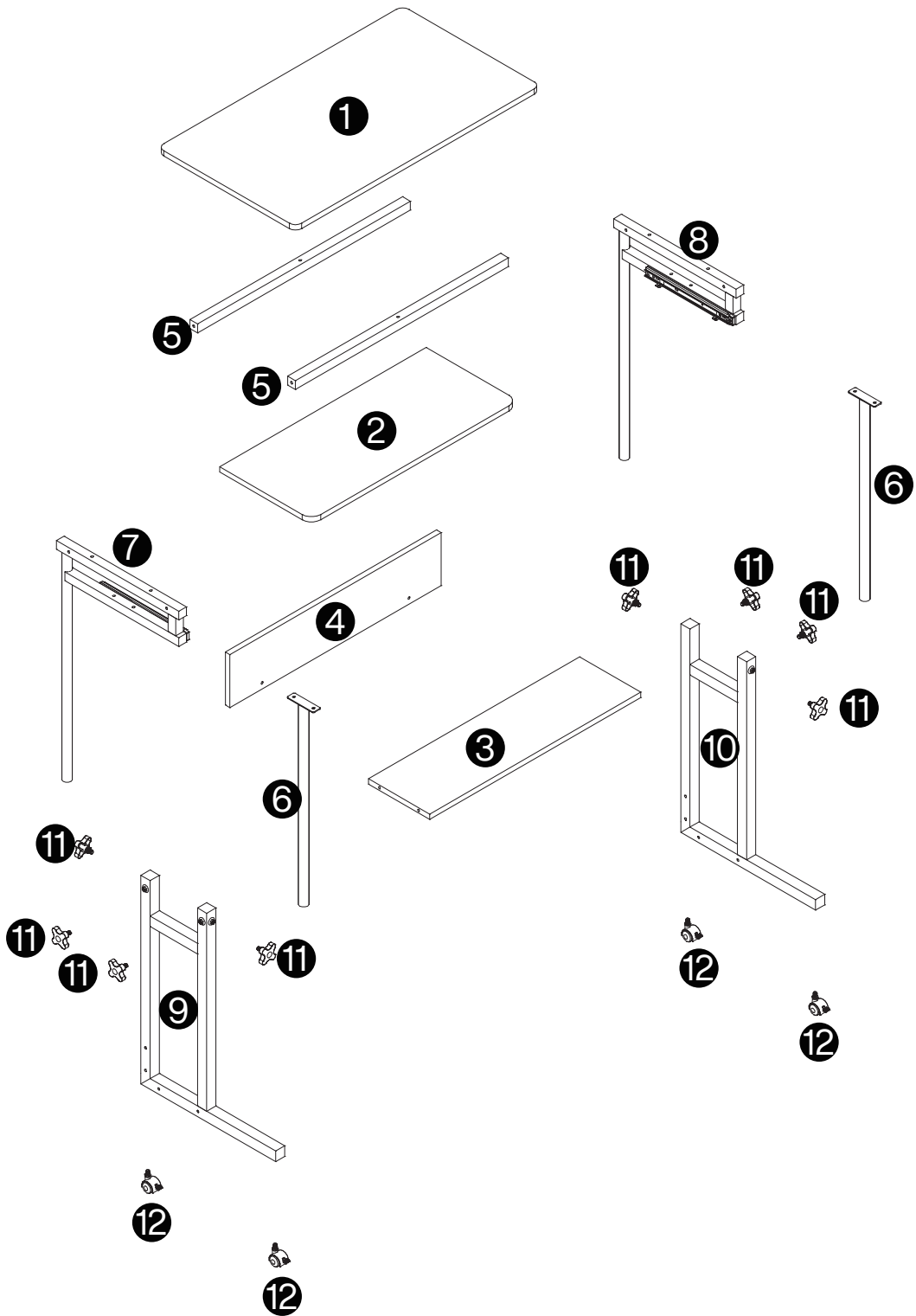
If an electric screwdriver is used, reduce power and torque to avoid damage to the product.



AVOID SCRATCHES

In order to avoid scratching, this furniture should be assembled on a soft surface, such as a rug.

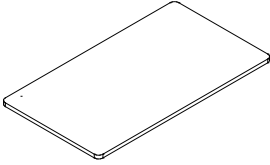
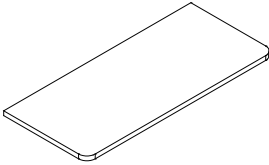
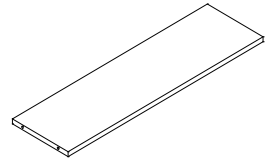
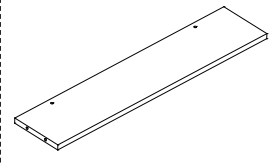
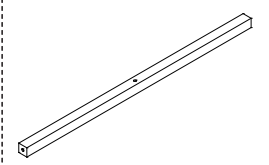
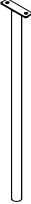
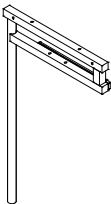
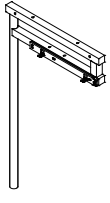
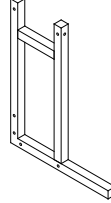
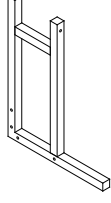
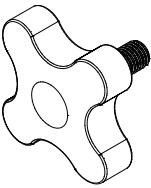
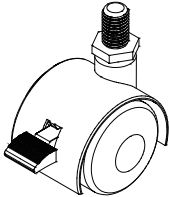




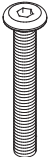
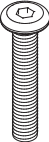



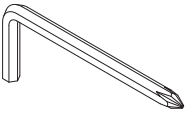
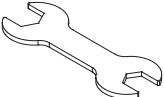
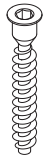
⚠ Caution

Make sure all parts are included. Most board parts are labeled or stamped on the raw edge. Contact us for a free replacement if you encounter any damaged or missing parts.

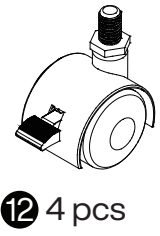
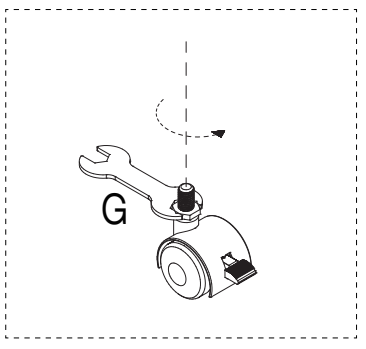
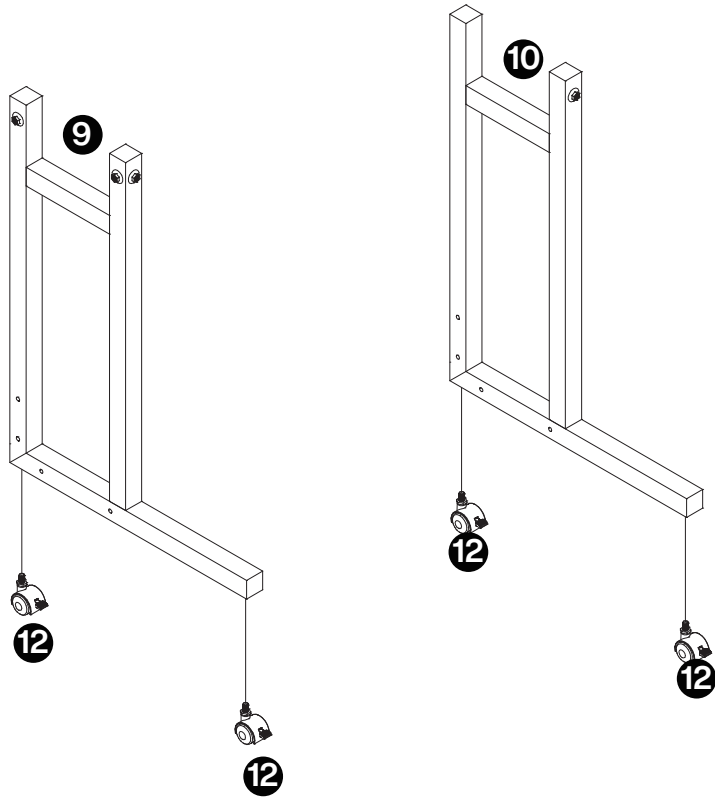
Parts List

				
1 1pc	2 1pc	3 1pc	4 1pc	5 2 pcs
				
6 2 pcs	7 1pc	8 1pc	9 1pc	10 1pc
				
11 8 pcs	12 4 pcs			

Hardware List

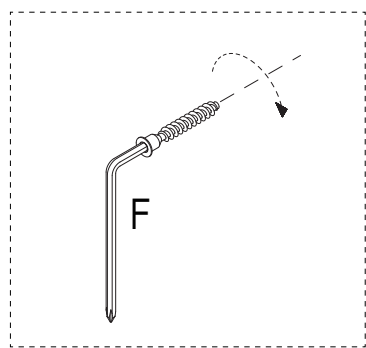
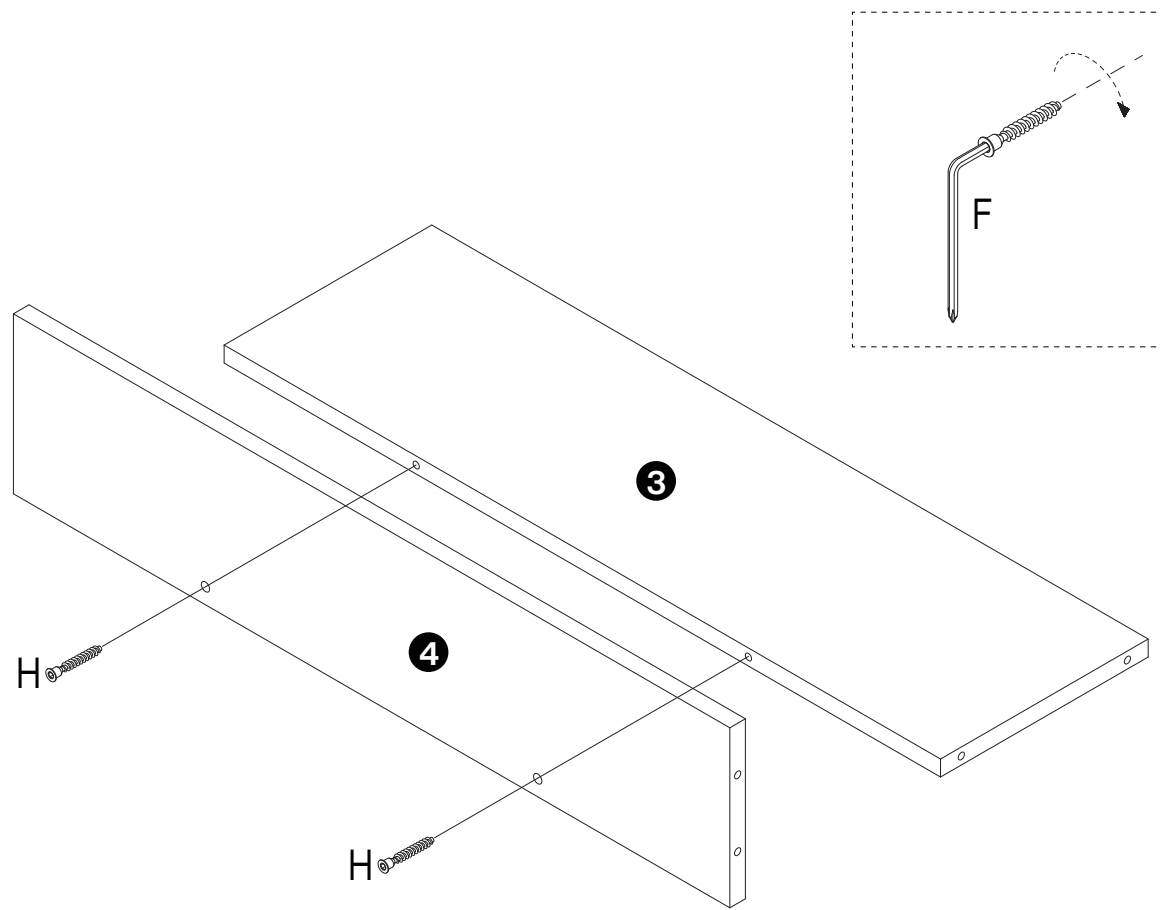
 M6X50MM	 M6X35MM	 M3.5X14MM	 M7X60MM	
A 4 pcs	B 10 pcs	C 4 pcs	D 8 pcs	E 4 pcs
		 M7X40MM		
F 1pc	G 1pc	H 2 pcs		

1



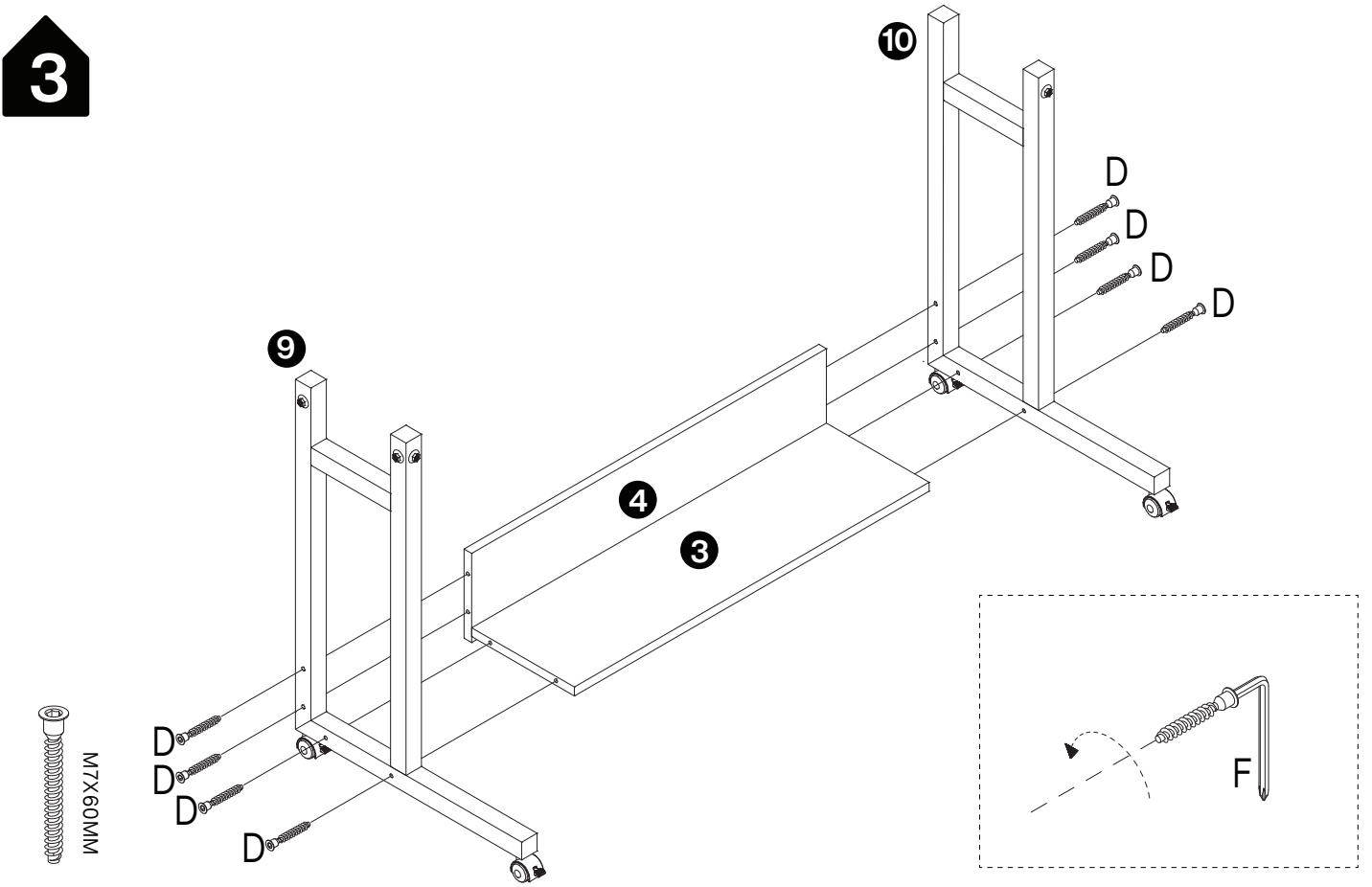
12 4 pcs

2



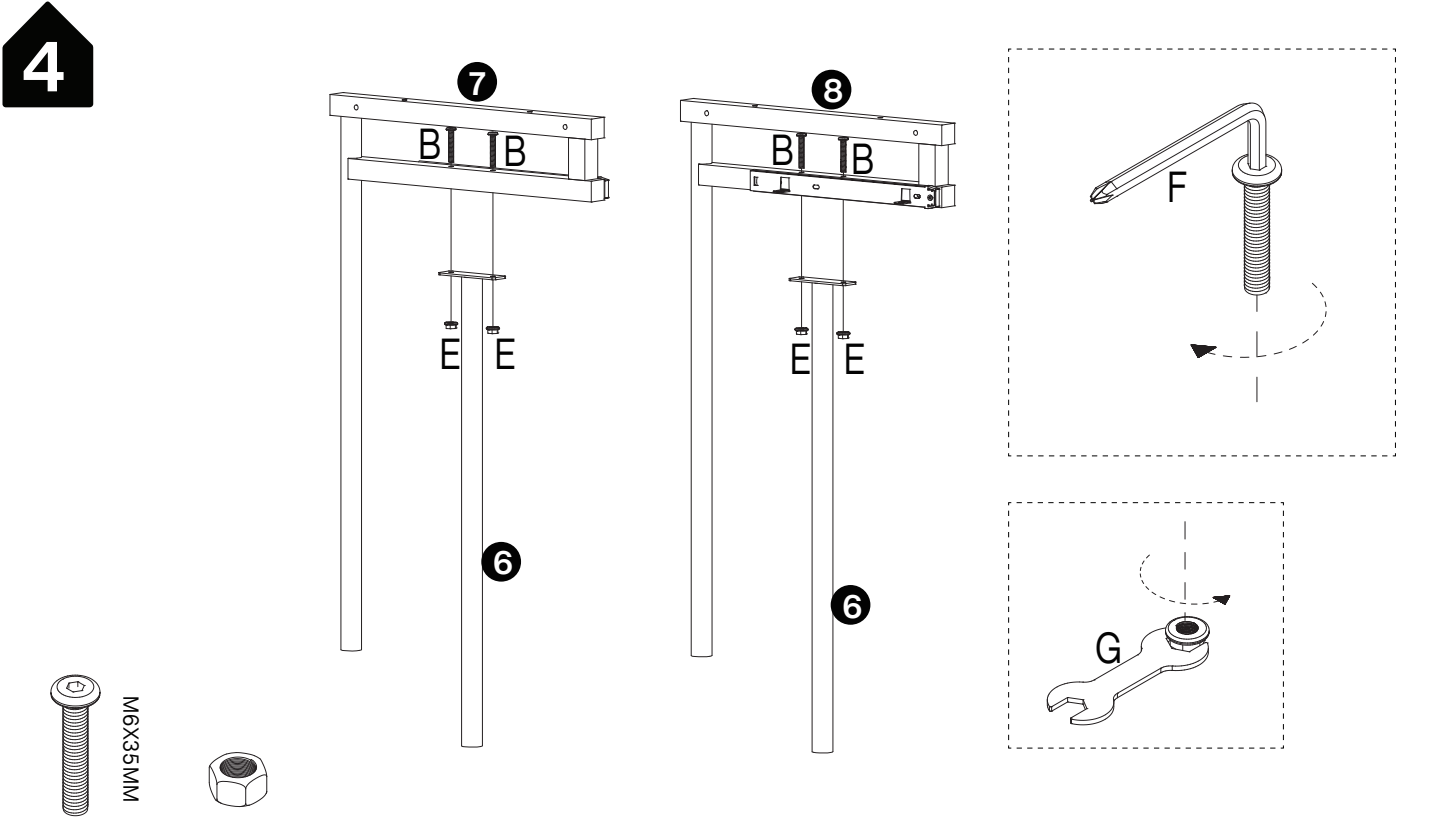
H 2 pcs

3



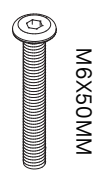
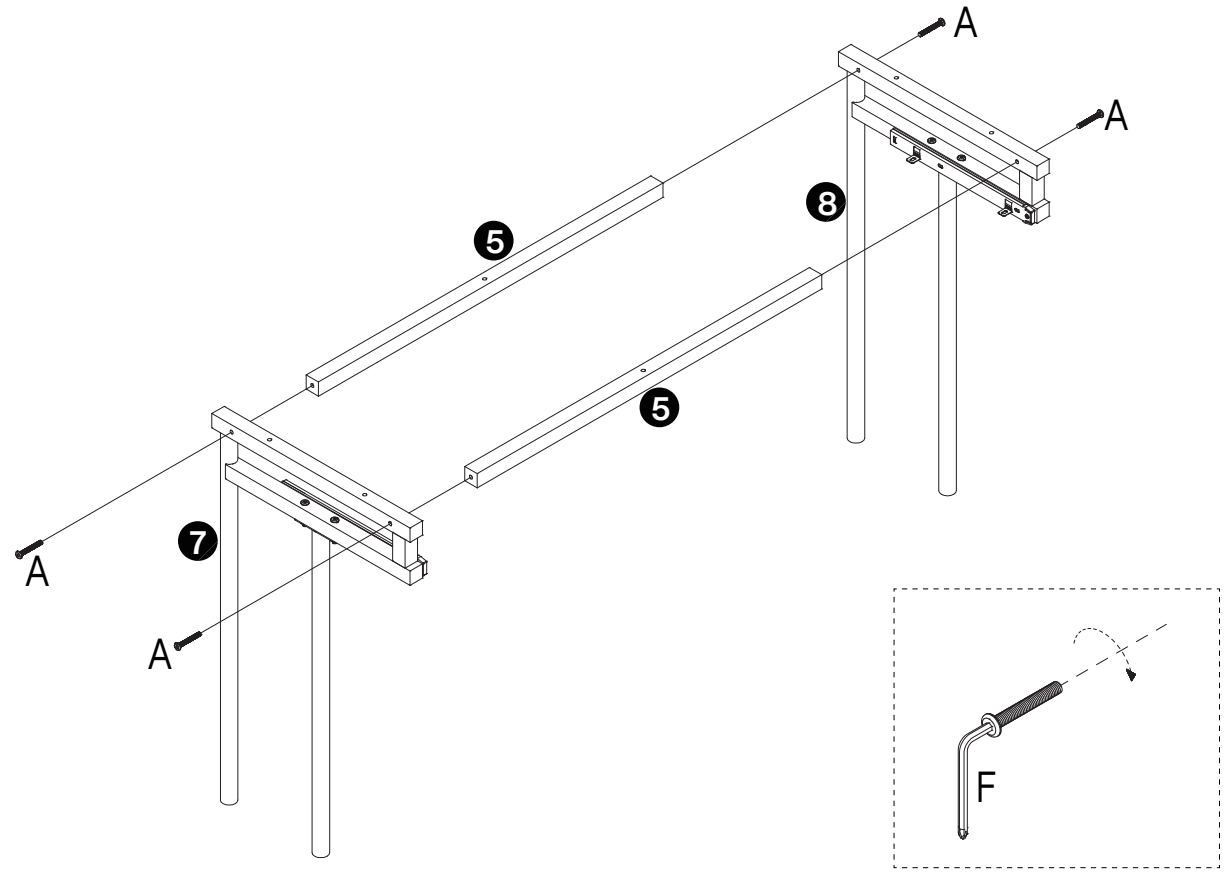
D 8 pcs

4



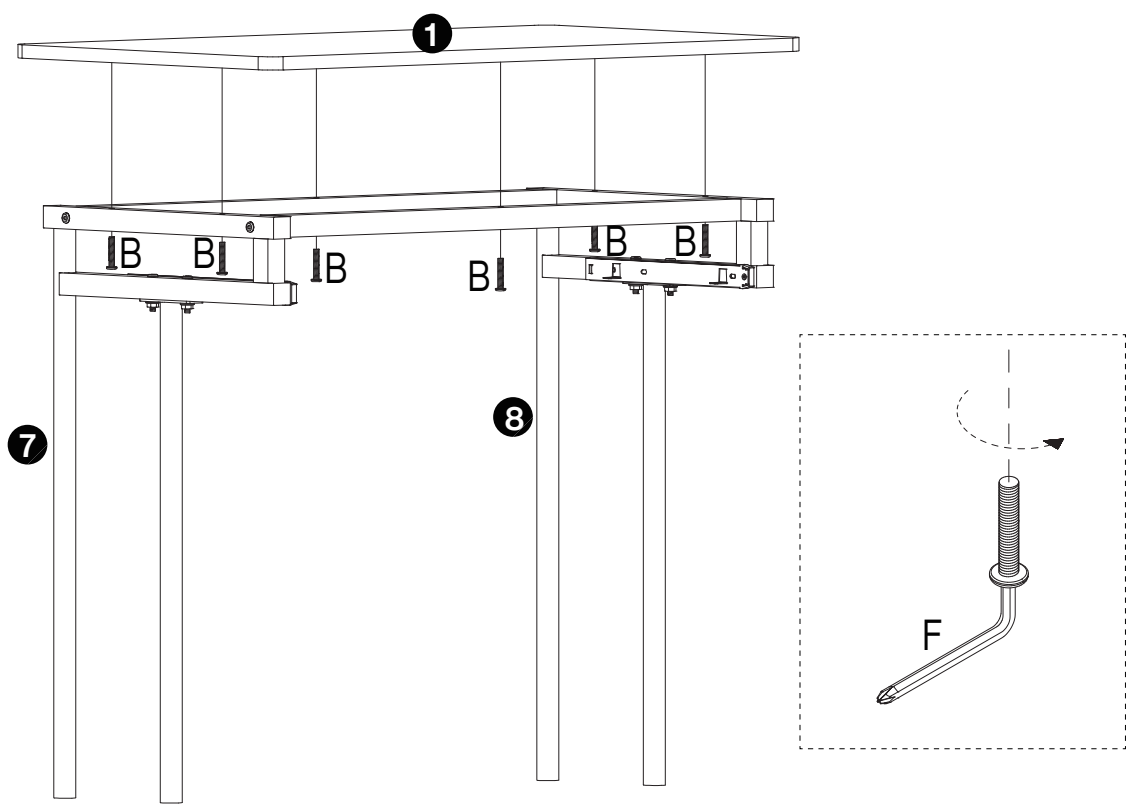
B 4 pcs **E** 4 pcs

5



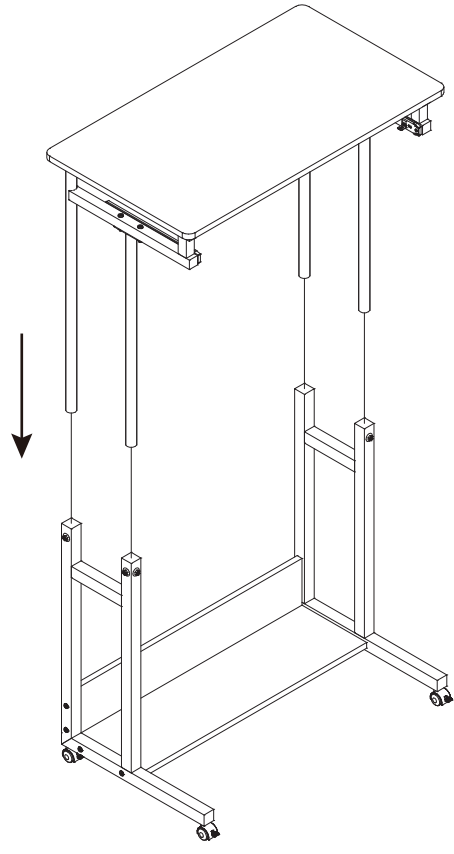
A 4 pcs

6

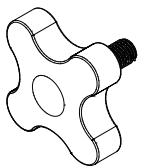
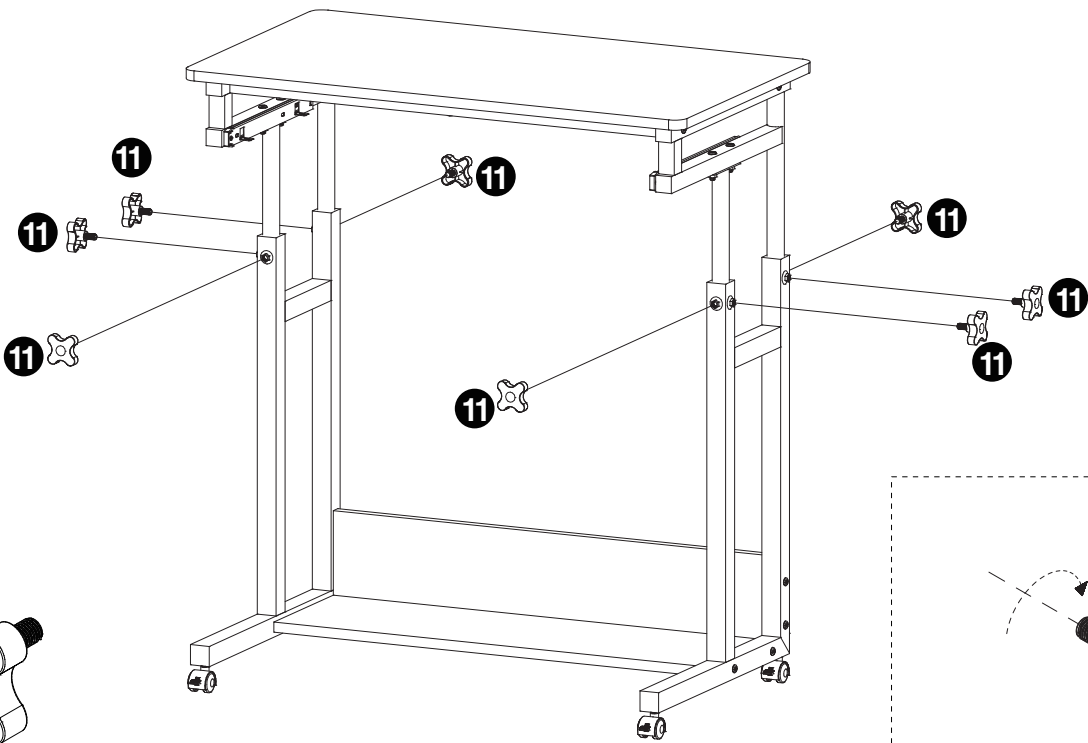


B 6 pcs

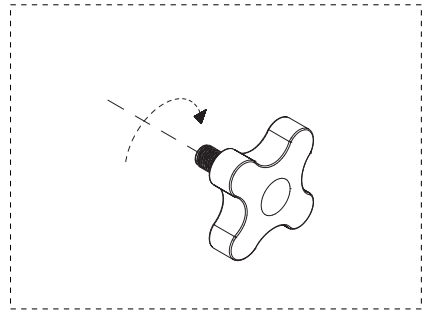
7



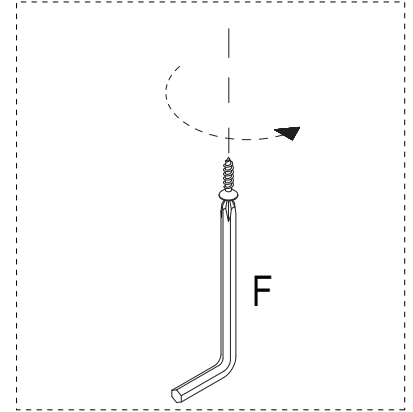
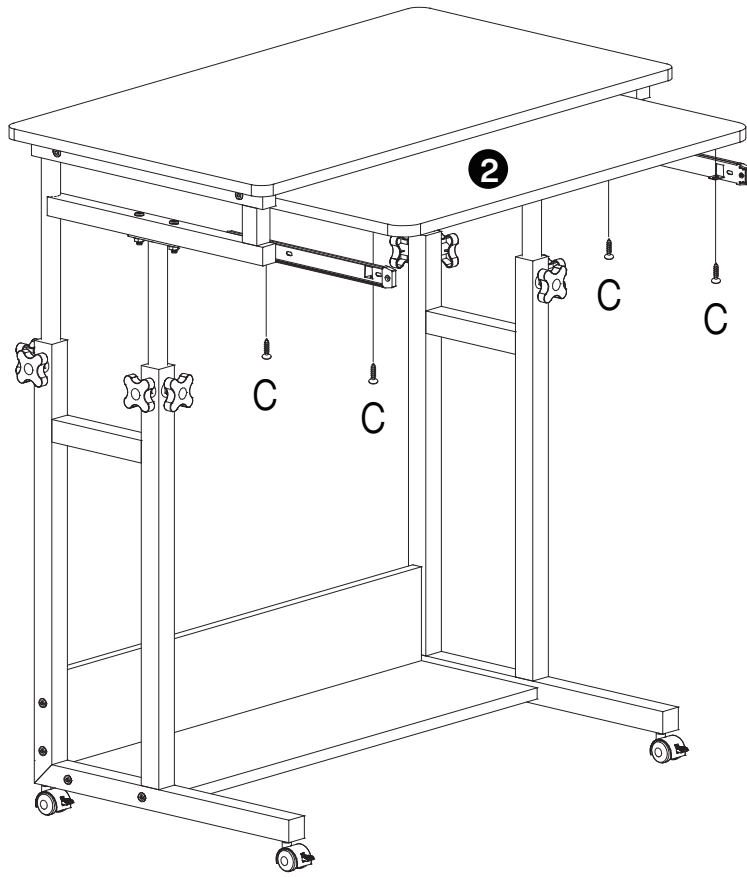
8



11 8 pcs



9



M3.5X14MM

C 4 pcs

Thank you for your support!

