

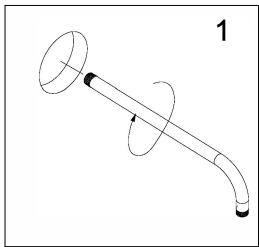
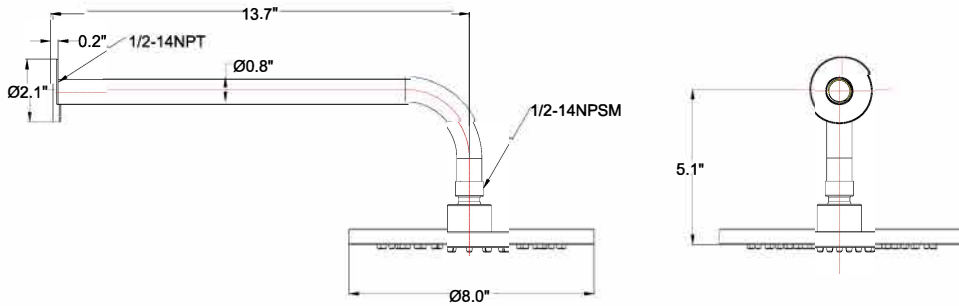
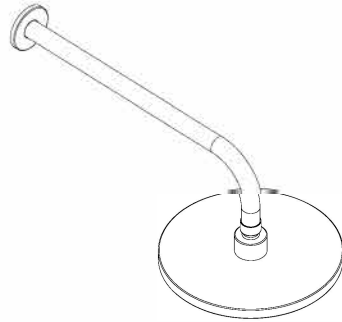


## INSTRUCTION

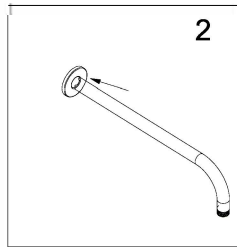
### Shower Head Assembly

Model Number:  
 UF91000  
 UF91003  
 UF91005

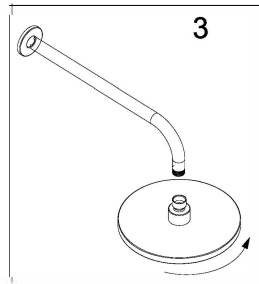
- Features:
- Single Function Shower Head
  - Flow Rate :2.5 gallons-per-minute
  - Shoewr Head Width:8"W



1.Insert shower arm through wall hole and thread to appropriate line . REMEMBER TO WRAP THREADED CONNECTINONS WITH TEFLON TAPE



2.Slide flange onto shower arm Push to wall



3.Attach shower head to shower arm by threading clock wise

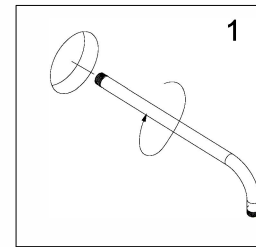
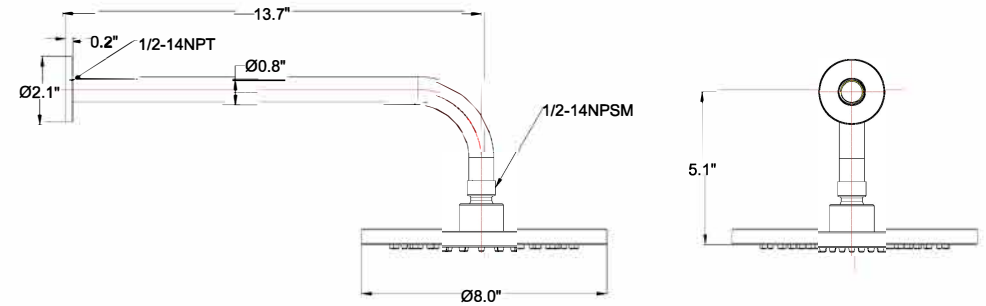
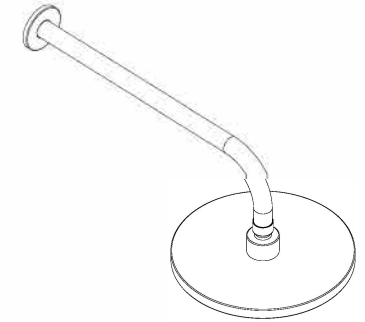


## INSTRUCTION

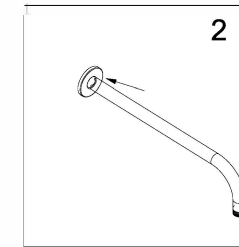
### Shower Head Assembly

Model Number:  
 UF91000  
 UF91003  
 UF91005

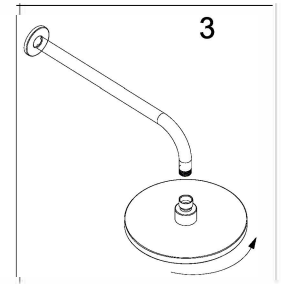
- Features:
- Single Function Shower Head
  - Flow Rate :2.5 gallons-per-minute
  - Shoewr Head Width:8"W



1.Insert shower arm through wall hole and thread to appropriate line . REMEMBER TO WRAP THREADED CONNECTINONS WITH TEFLON TAPE



2.Slide flange onto shower arm Push to wall



3.Attach shower head to shower arm by threading clock wise