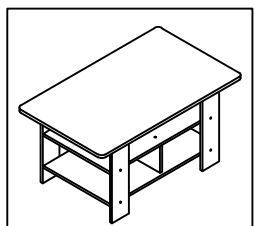
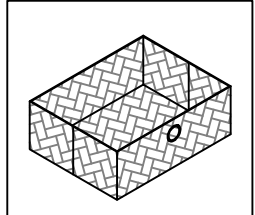


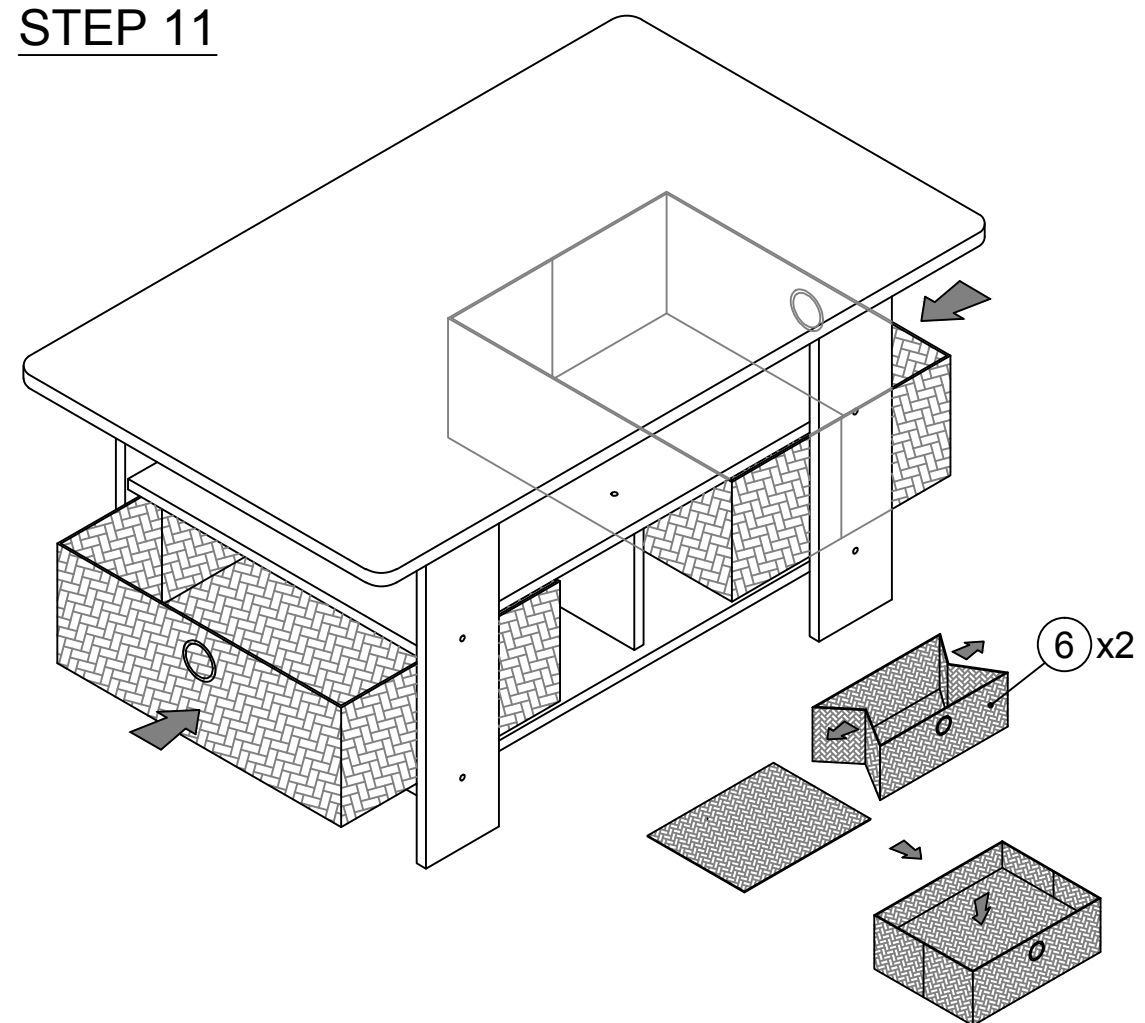
STEP 11



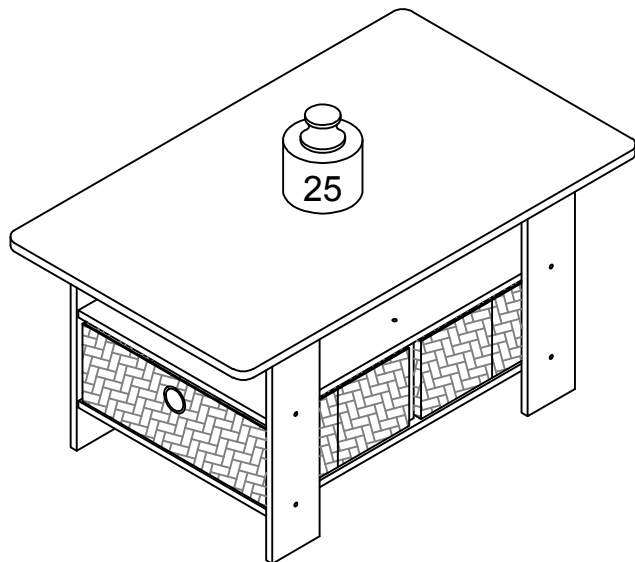
ASSEMBLED UNIT



ASSEMBLED UNIT 2 PCS



Recommended Maximum Weight



*Unit in Pound(lbs.)

WARNING:

- >This unit has been designed to support the maximum loads shown. Exceeding these load limits could cause sagging, instability, product collapse, and/or serious injury.
- >DO NOT allow children to climb on unit.
- > Put heavier items on lower shelves.

Assembly Instruction

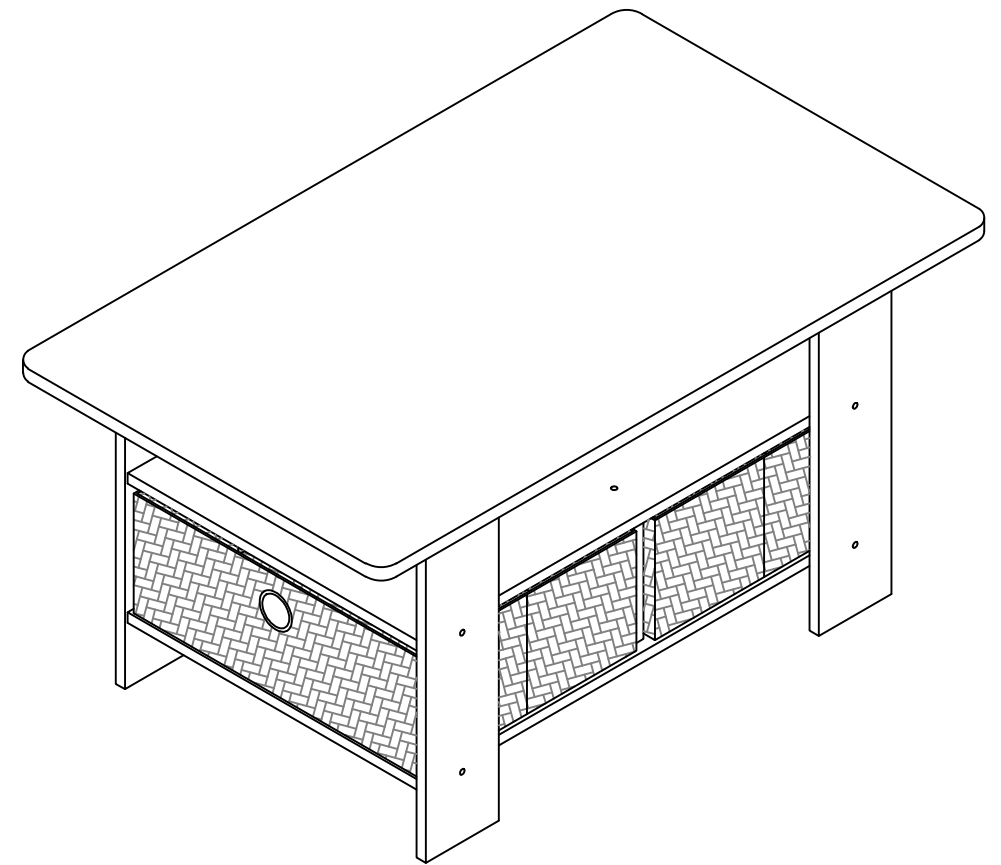
Coffee Table with Bins

00:30

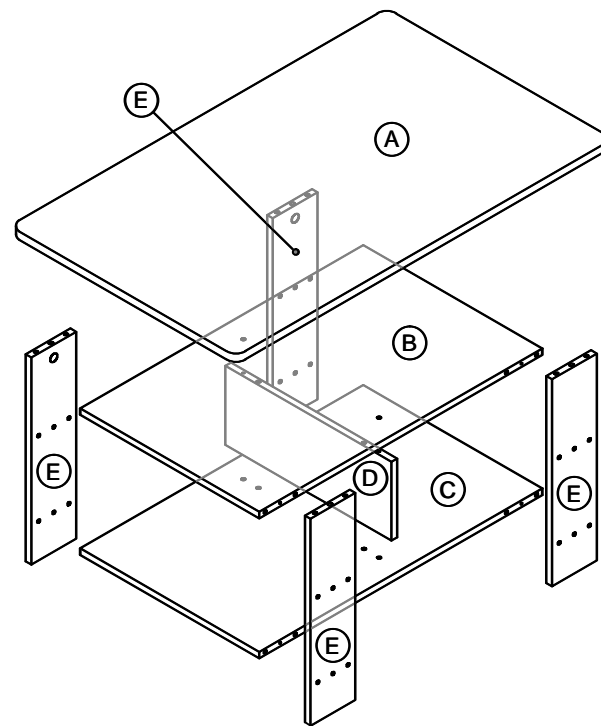
Approx. 30 minutes

Recomm. 1 Person

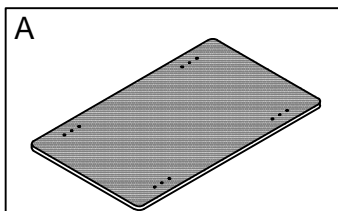
Tool Required



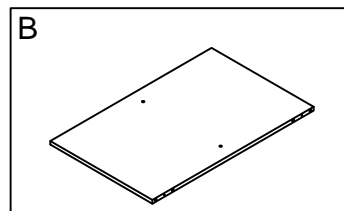
EXPLODED VIEW



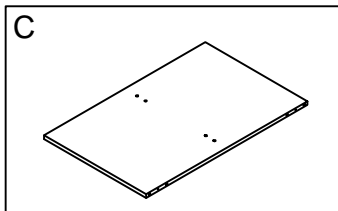
PARTS LIST



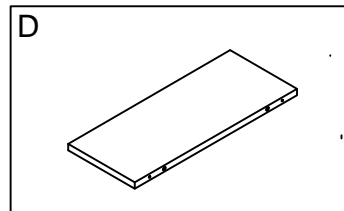
TOP PANEL | 1 PC



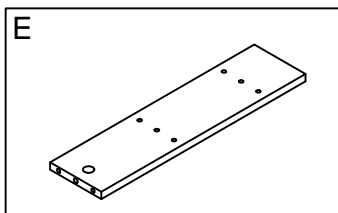
SHELF PANEL | 1 PC



BOTTOM PANEL | 1 PC

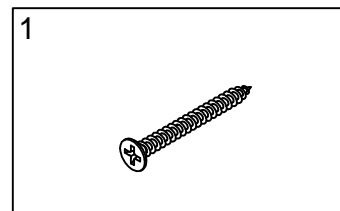


CENTER PANEL | 1 PC

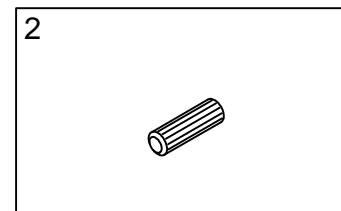


LEG PANEL | 4 PCS

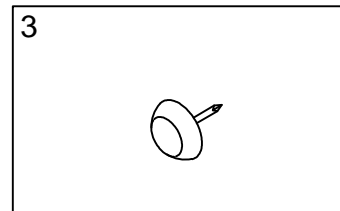
HARDWARE LIST



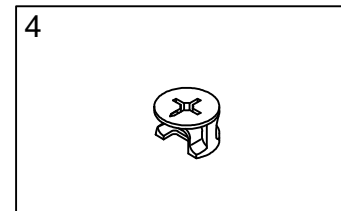
SCREW | 12 PCS



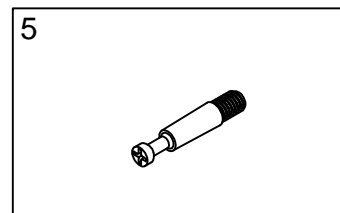
WOOD DOWEL | 28 PCS



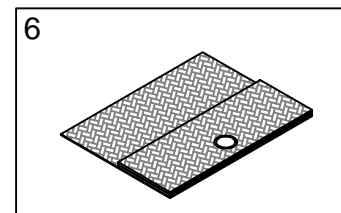
NAIL LEG | 4 PCS



CAM-LOCK NUT | 4 PCS



CAM-LOCK SCREW | 4 PCS

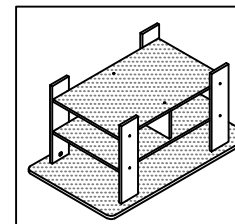


BIN | 2 PCS

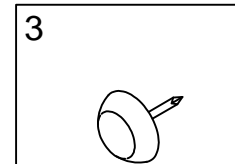
USEFUL HINTS BEFORE YOU START:

1. Read each step carefully before starting.
2. It is important that each step is performed in correct order to avoid difficulties.
3. Identify, soft and count the parts before assembly.
4. Assemble your furniture on packaging cardboard to prevent scratch or damage.
5. Clean the product with mild cleanser using soft damped cloth. Do not use harsh or abrasive cleanser.
6. Using incompatible hardware might cause damage to product.

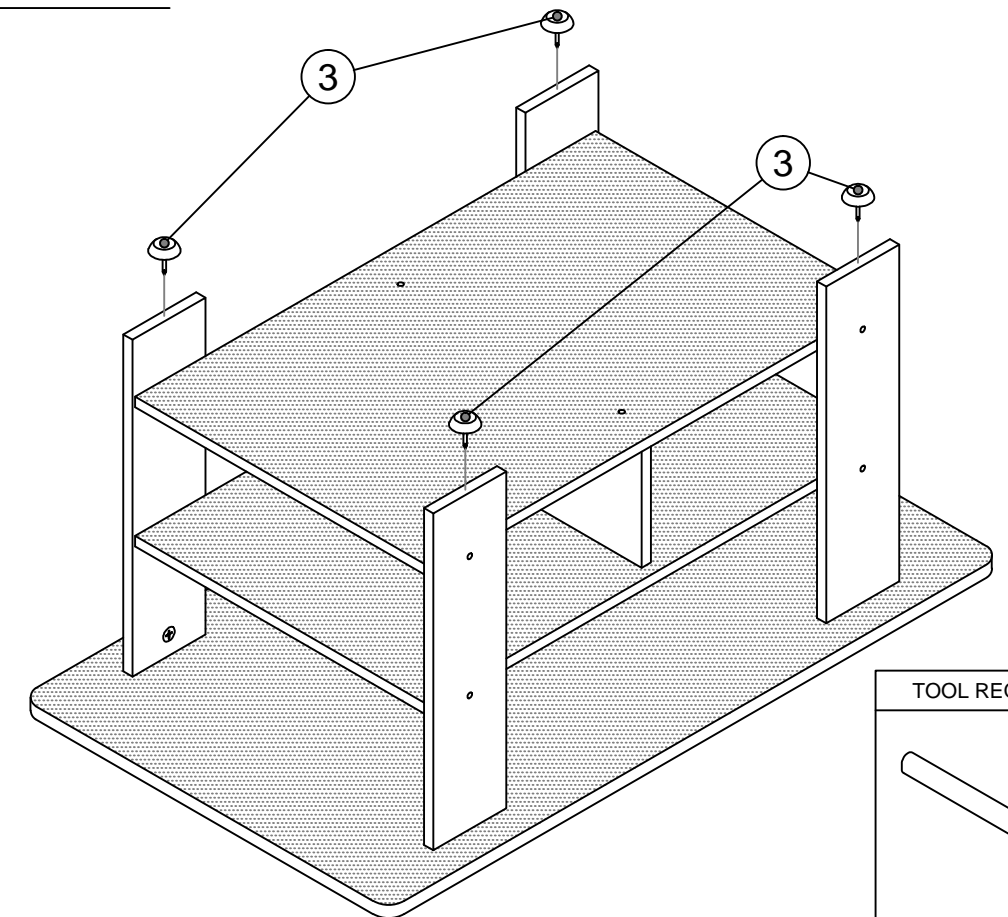
STEP 9



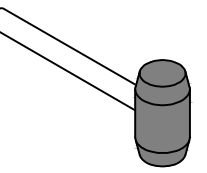
ASSEMBLED UNIT



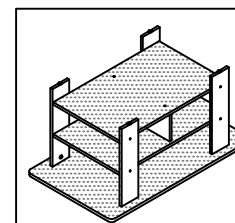
NAIL LEG | 4 PCS



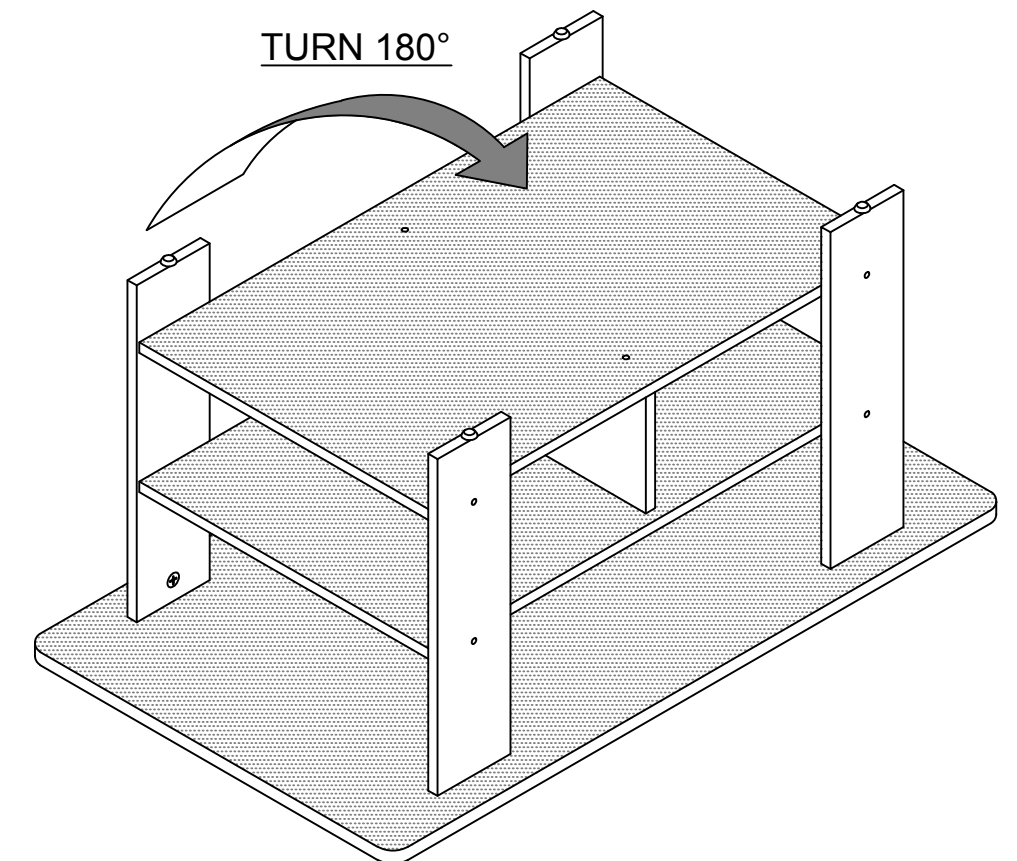
TOOL REQUIRED



STEP 10

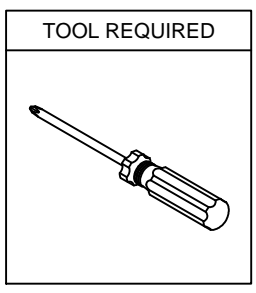
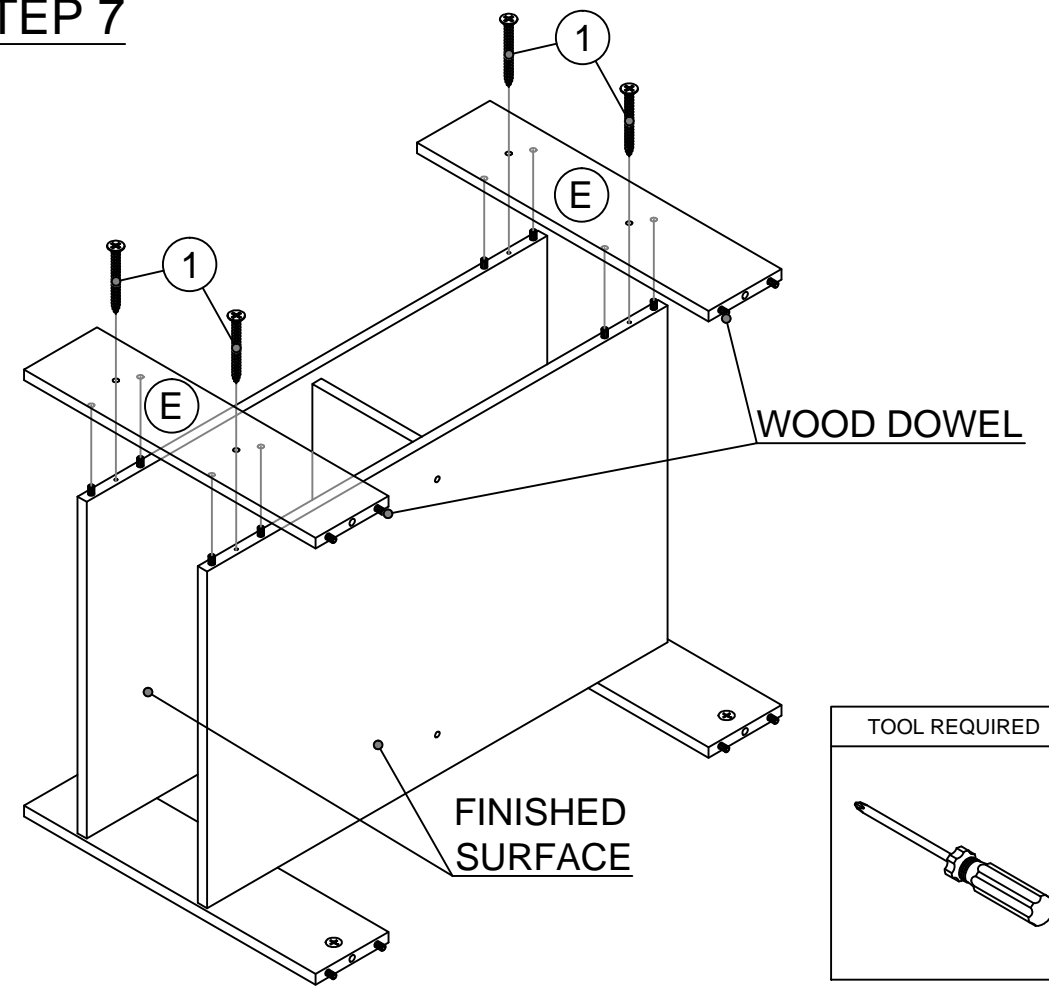
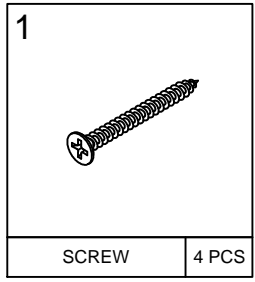
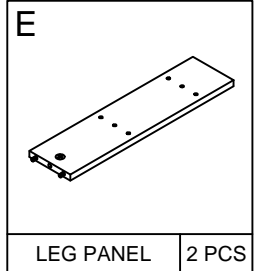
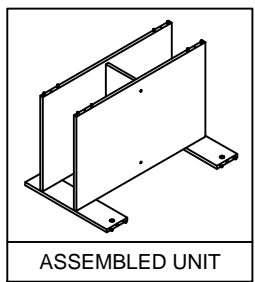


ASSEMBLED UNIT

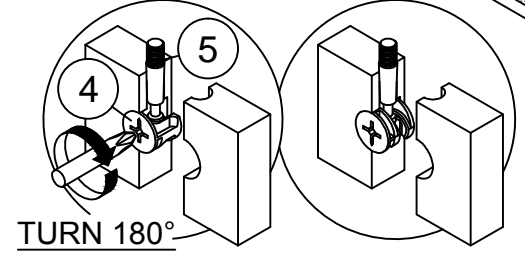
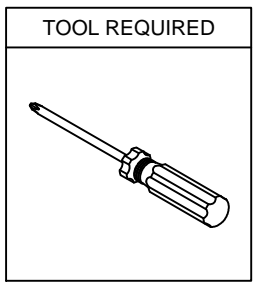
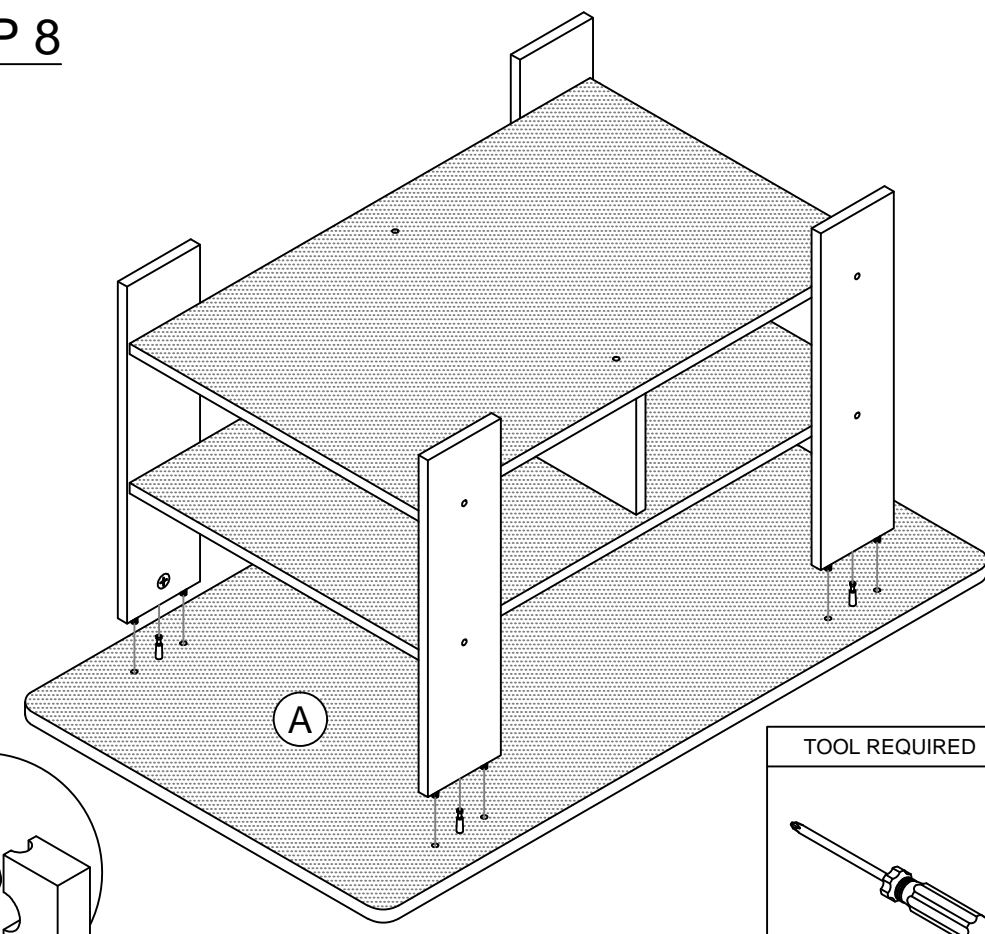
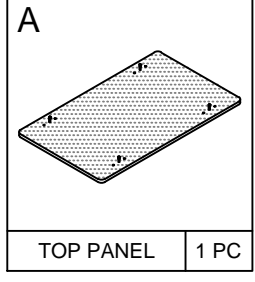
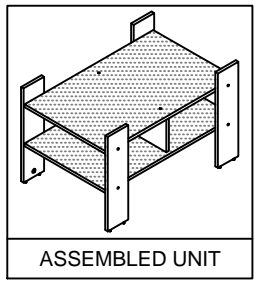


TURN 180°

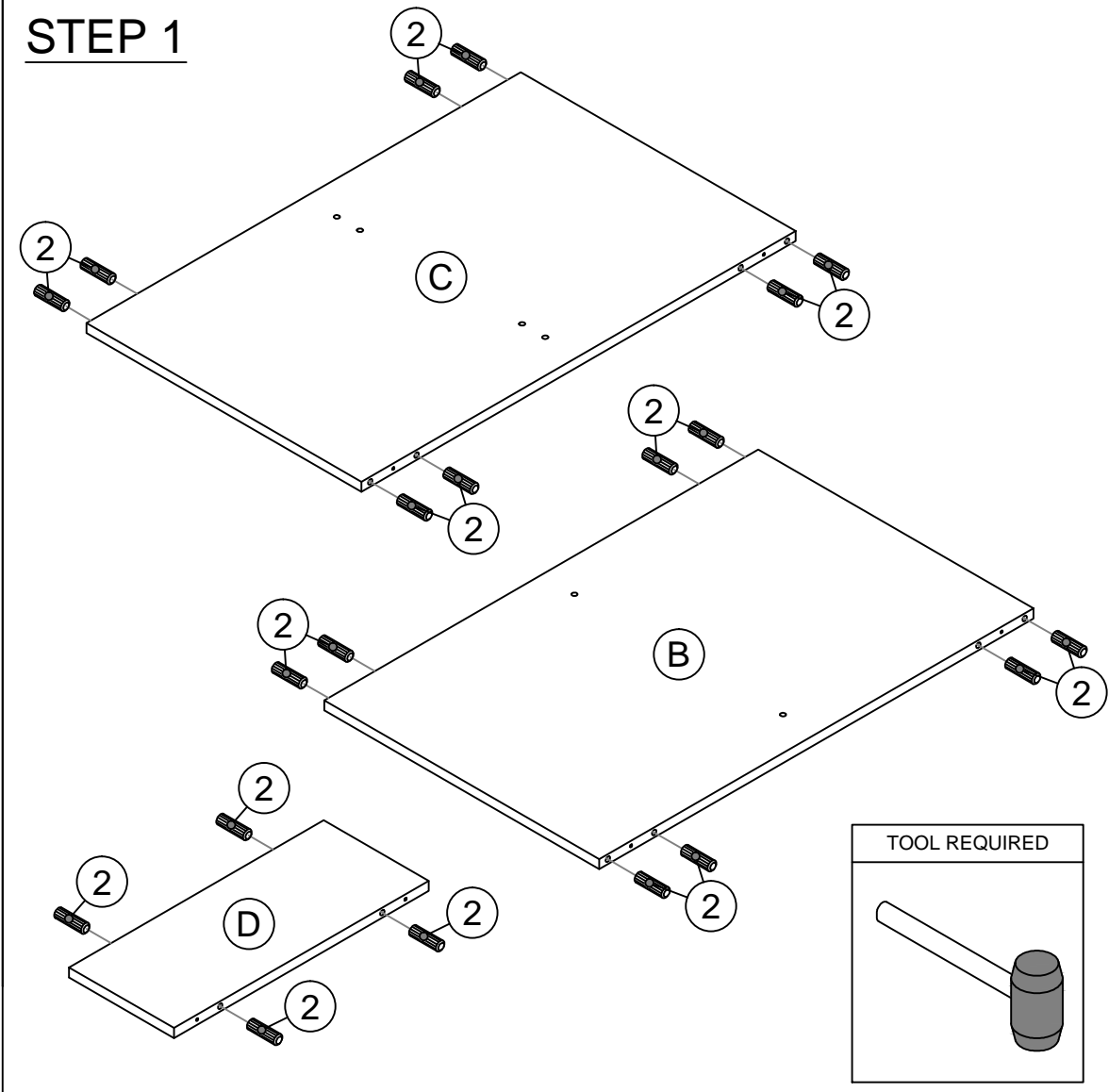
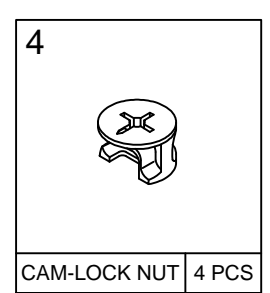
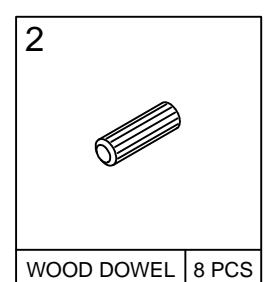
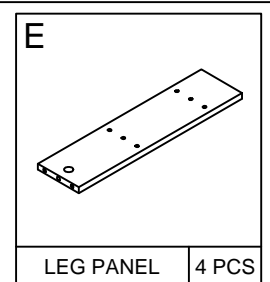
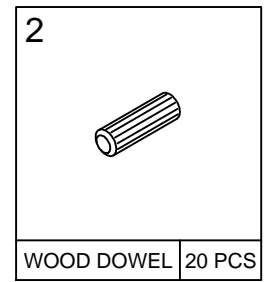
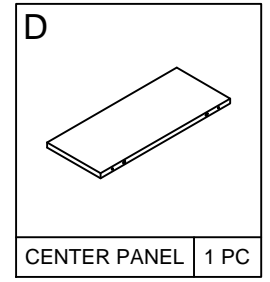
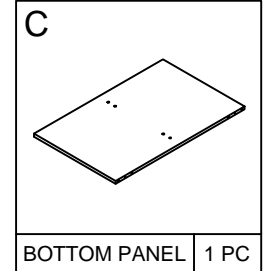
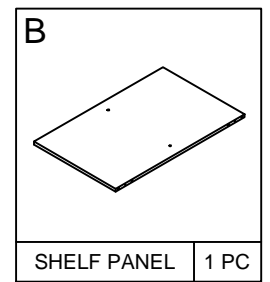
STEP 7



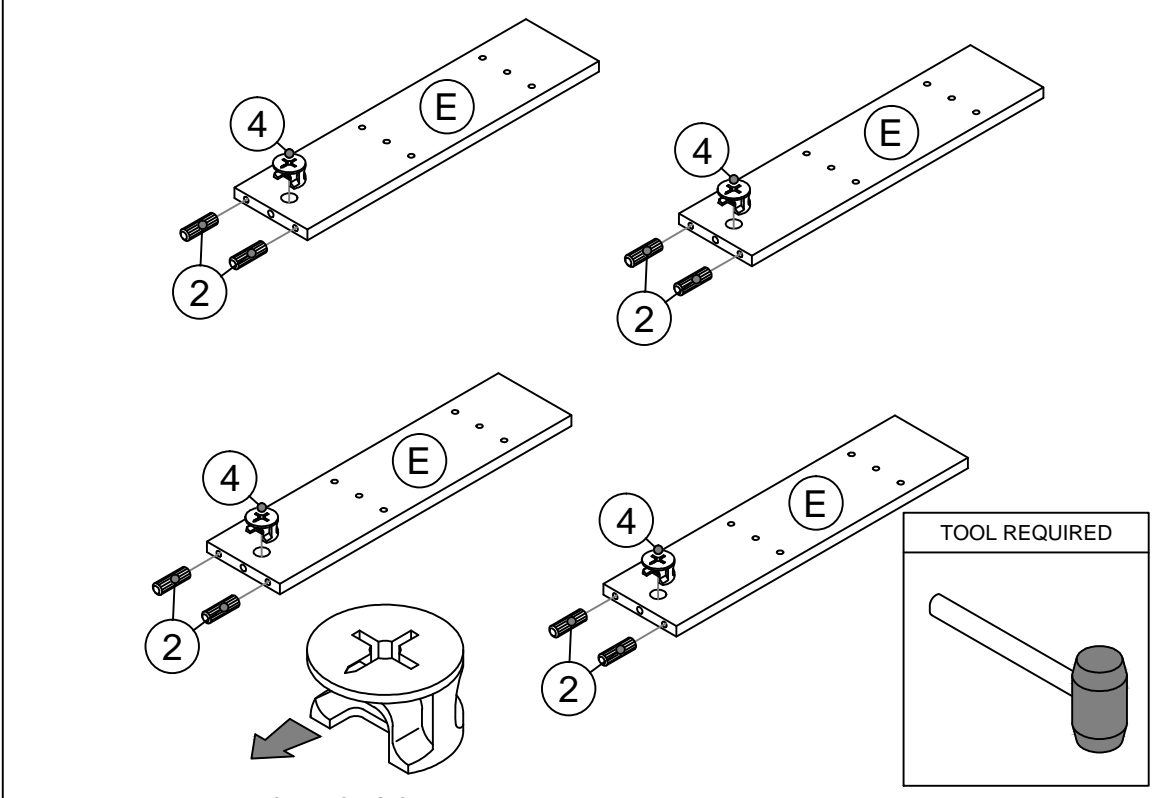
STEP 8

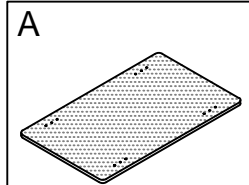


STEP 1

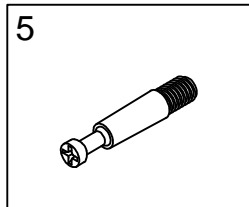


STEP 2



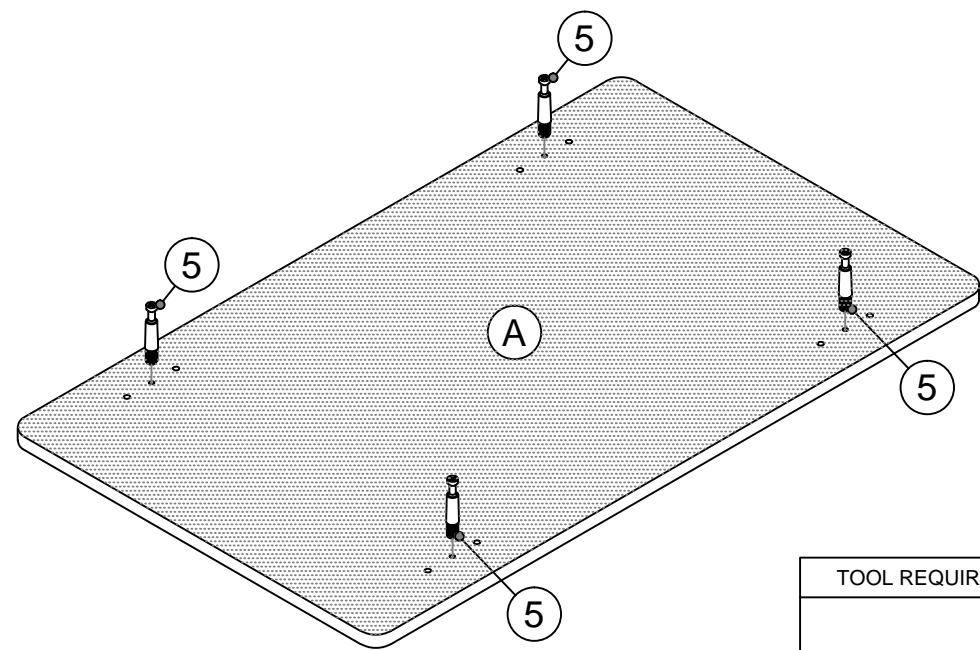


TOP PANEL 1 PC

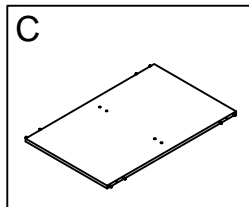


CAM-LOCK SCREW 4 PCS

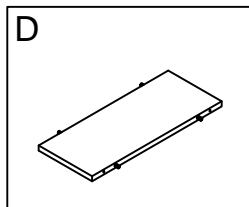
STEP 3



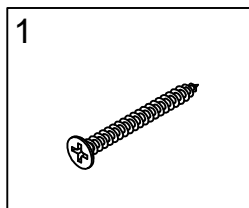
TOOL REQUIRED



BOTTOM PANEL 1 PC

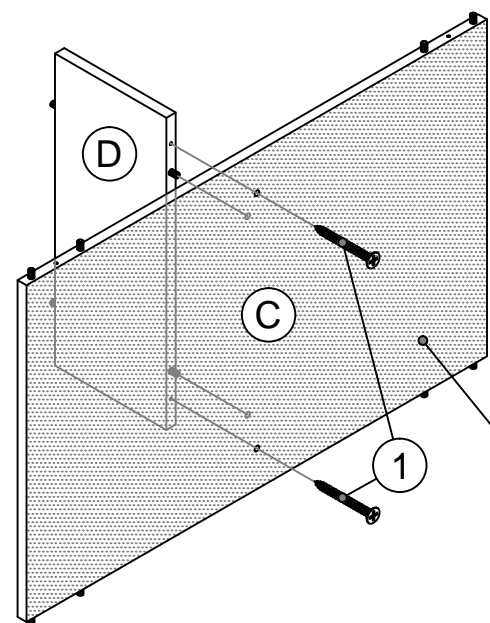


CENTER PANEL 1 PC



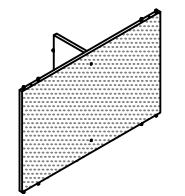
SCREW 2 PCS

STEP 4

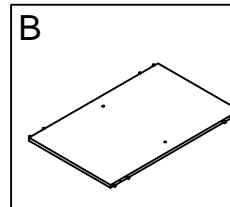


UNFINISHED SURFACE

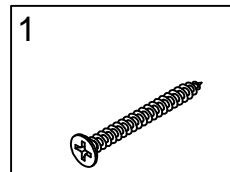
TOOL REQUIRED



ASSEMBLED UNIT

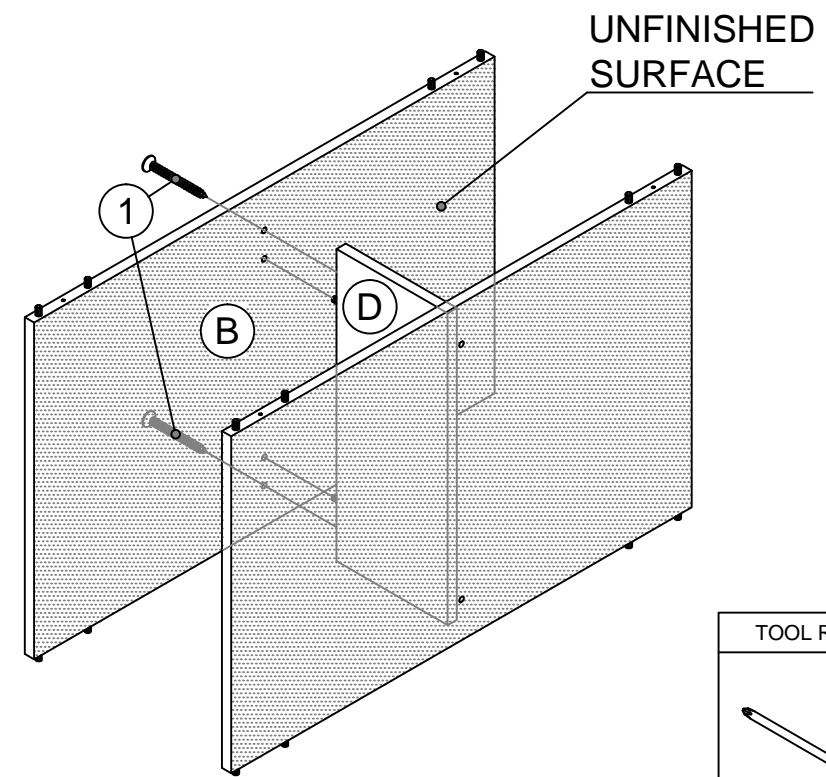


SHELF PANEL 1 PC

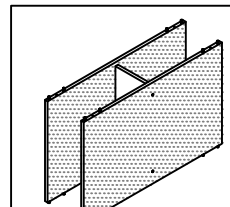


SCREW 2 PCS

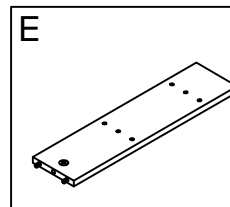
STEP 5



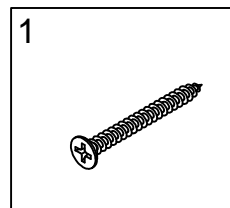
TOOL REQUIRED



ASSEMBLED UNIT

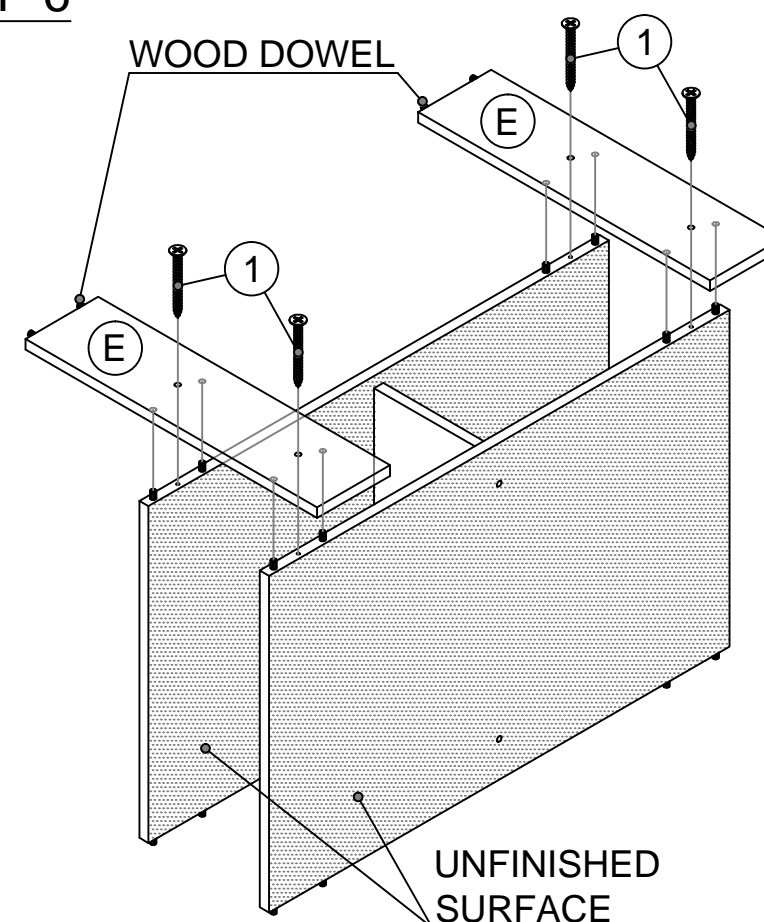


LEG PANEL 2 PCS



SCREW 4 PCS

STEP 6



TOOL REQUIRED