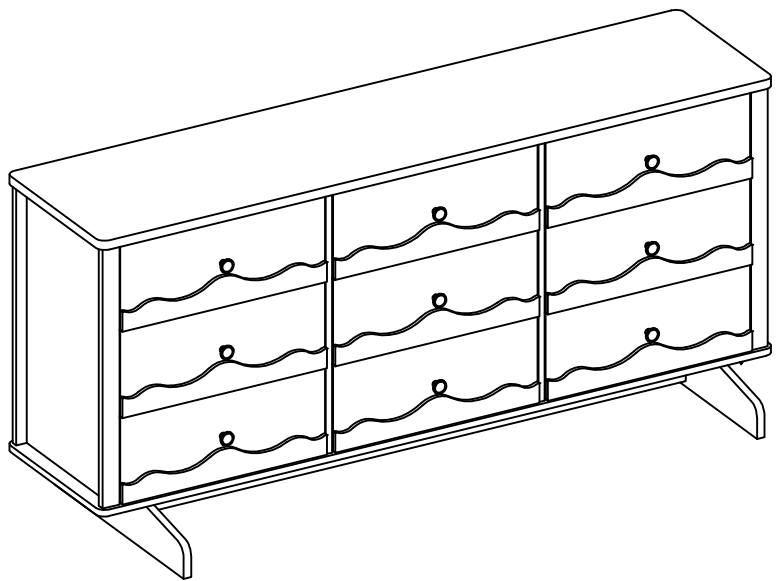
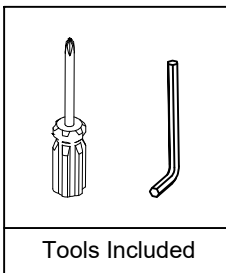
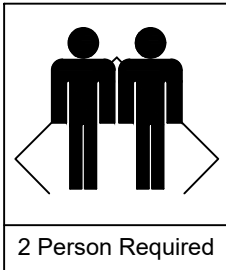


Assembly Instruction



⚠ WARNING



Children have died from furniture tipover. To reduce the risk of furniture tipover:

- ALWAYS install Anti-tip device provided.*
- NEVER put a TV on this product.*
- NEVER allow children to stand, climb or hang on any drawers, doors, or shelves.*
- NEVER open more than one drawer at a time.*
- Place heaviest items in the lowest drawers.*

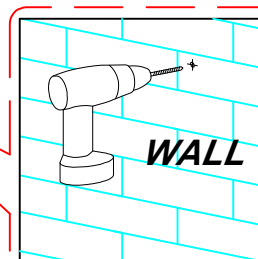
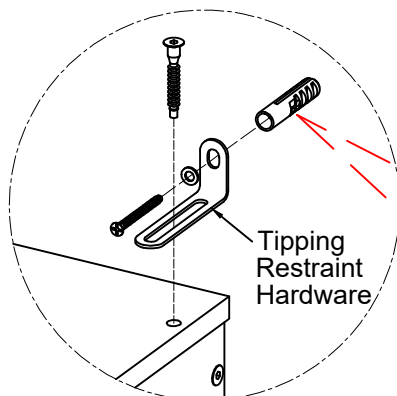


*This is a permanent label.
Do not remove!*

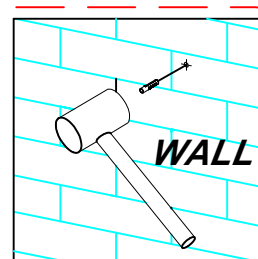
TIPPING RESTRAINT HARDWARE

Note: We have included two Tipping Restraint Hardware set for this Unit. When properly installed, this restraint can provide protection against the unexpected tipping of the Unit due to small tremors, bumps or climbing. We strongly recommend mounting this hardware to a wall stud and your Unit.

Note: You must install the Tipping Restraint Hardware with the unit in use to prevent any accidents or damage to the unit.

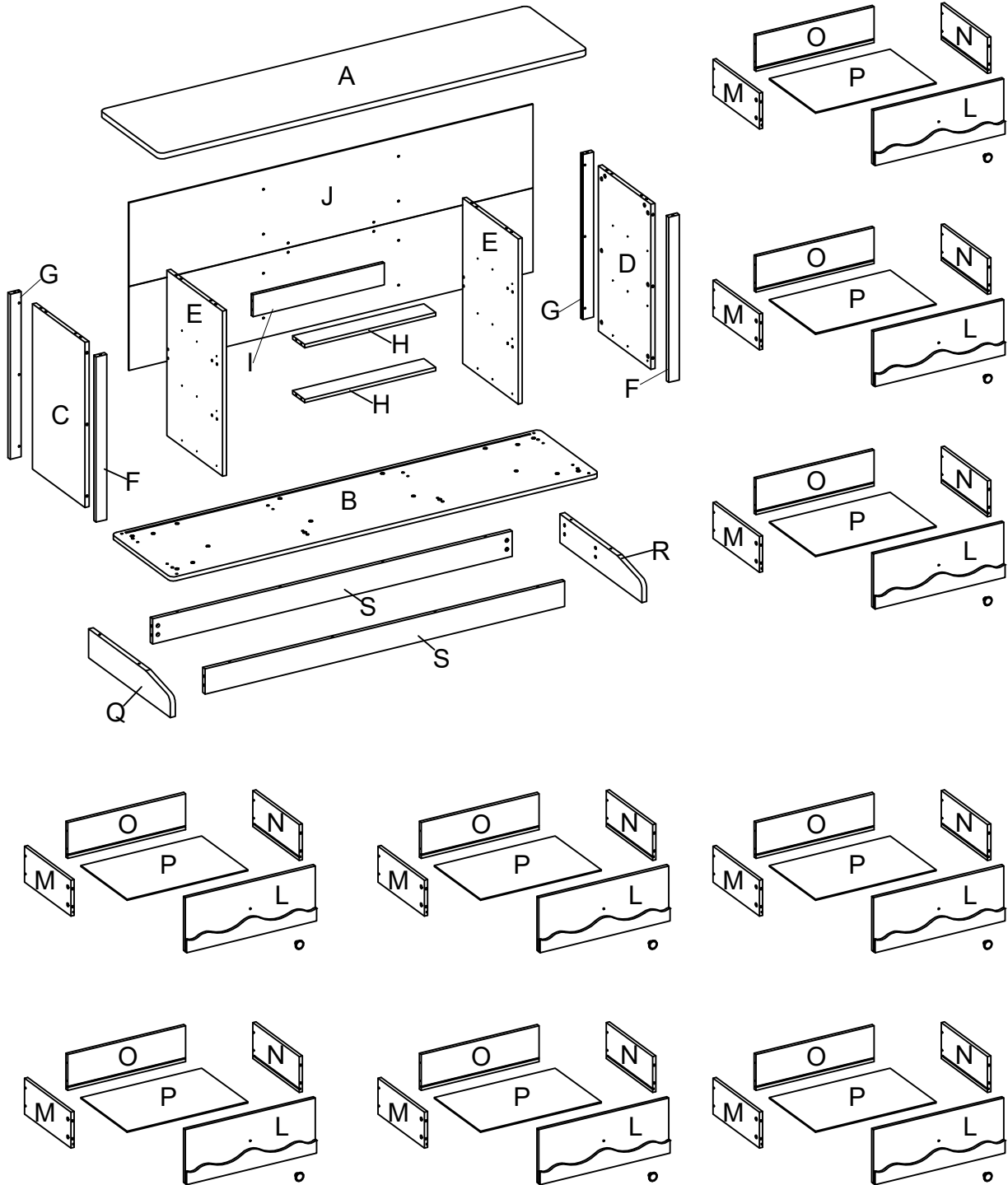


Step 1



Step 2

PART LIST

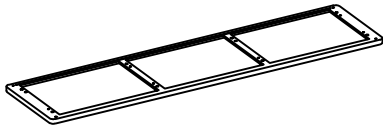


USEFUL HINTS BEFORE YOU START:

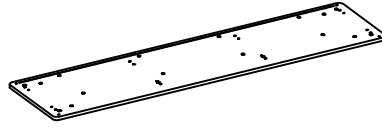
1. Read each step carefully before starting.
2. It is important that each step is performed in correct order to avoid difficulties.
3. Identify, sort and count the parts before assembly.
4. Assemble your furniture on packaging cardboard to prevent scratch or damage.
5. Clean the product with mild cleanser using soft damped cloth. Do not use harsh or abrasive cleanser.
6. Using incompatible hardware might cause damage to product.

PART LIST

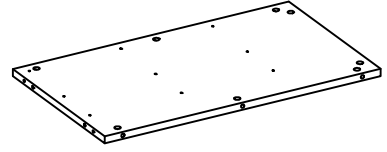
A x 1pc



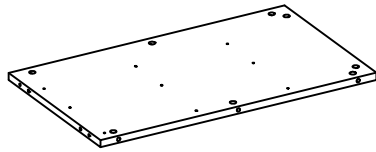
B x 1pc



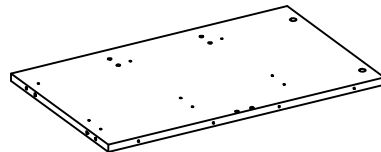
C x 1pc



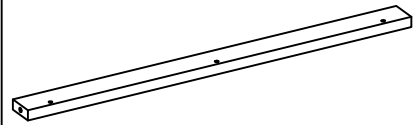
D x 1pc



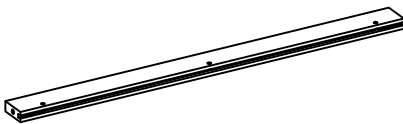
E x 2pcs



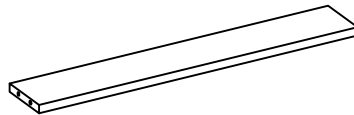
F x 2pcs



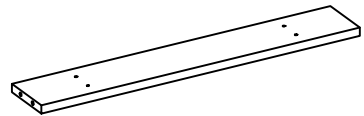
G x 2pcs



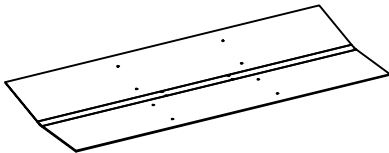
H x 2pcs



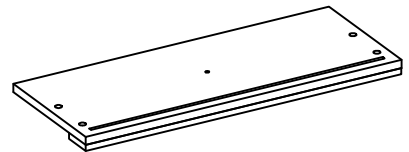
I x 1pc



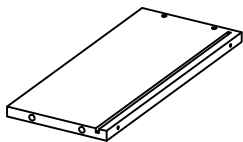
J x 1pc



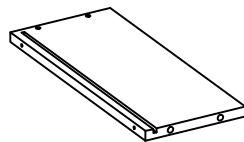
L x 9pcs



M x 9pcs



N x 9pcs



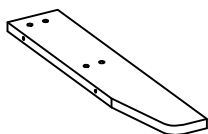
O x 9pcs



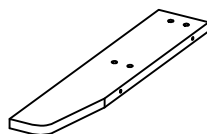
P x 9pcs



Q x 1pc



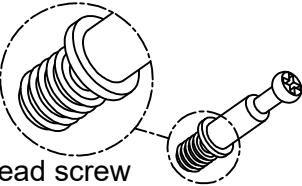
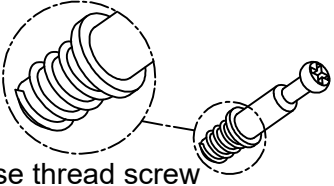

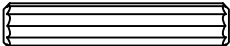
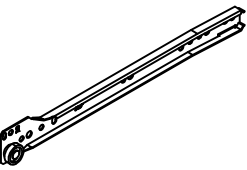
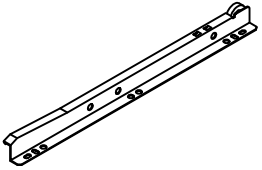
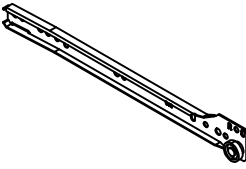
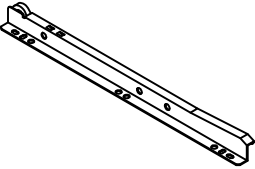

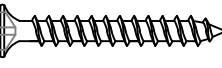
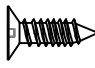

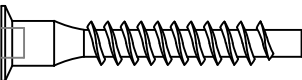
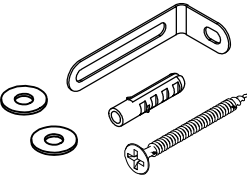
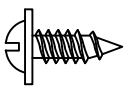

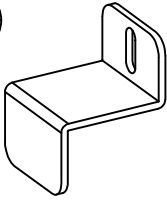
R x 1pc



S x 2pcs



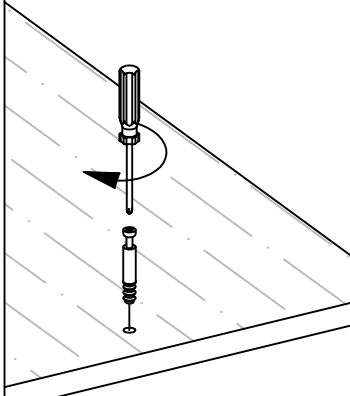
HARDWARE LIST

<p style="text-align: center; font-size: 24px; font-weight: bold;">①</p>  <p>fine thread screw M6x28</p> <p style="text-align: right;">52 pcs</p>	<p style="text-align: center; font-size: 24px; font-weight: bold;">②</p>  <p>coarse thread screw M6x28</p> <p style="text-align: right;">12 pcs</p>	<p style="text-align: center; font-size: 24px; font-weight: bold;">③</p>  <p style="text-align: center;">Φ12</p> <p style="text-align: right;">64 pcs</p>
<p style="text-align: center; font-size: 24px; font-weight: bold;">④</p>  <p style="text-align: center;">Φ6x30</p> <p style="text-align: right;">24 pcs</p>	<p style="text-align: center; font-size: 24px; font-weight: bold;">⑤</p>  <p style="text-align: center;">300L</p> <p style="text-align: right;">9 pcs</p>	<p style="text-align: center; font-size: 24px; font-weight: bold;">⑥</p>  <p style="text-align: center;">300L</p> <p style="text-align: right;">9 pcs</p>
<p style="text-align: center; font-size: 24px; font-weight: bold;">⑦</p>  <p style="text-align: center;">300L</p> <p style="text-align: right;">9 pcs</p>	<p style="text-align: center; font-size: 24px; font-weight: bold;">⑧</p>  <p style="text-align: center;">300L</p> <p style="text-align: right;">9 pcs</p>	<p style="text-align: center; font-size: 24px; font-weight: bold;">⑨</p>  <p style="text-align: right;">9 pcs</p>
<p style="text-align: center; font-size: 24px; font-weight: bold;">⑩</p>  <p style="text-align: center;">M4x30</p> <p style="text-align: right;">38 pcs</p>	<p style="text-align: center; font-size: 24px; font-weight: bold;">⑪</p>  <p style="text-align: center;">M3x12</p> <p style="text-align: right;">108 pcs</p>	<p style="text-align: center; font-size: 24px; font-weight: bold;">⑫</p>  <p style="text-align: center;">M4x18</p> <p style="text-align: right;">9 pcs</p>
<p style="text-align: center; font-size: 24px; font-weight: bold;">⑬</p>  <p style="text-align: center;">M6x40</p> <p style="text-align: right;">32 pcs</p>	<p style="text-align: center; font-size: 24px; font-weight: bold;">⑰</p>  <p style="text-align: center;">M4x40</p> <p style="text-align: right;">2 pcs</p>	
<p style="text-align: center; font-size: 24px; font-weight: bold;">⑯</p>  <p style="text-align: center;">M4x12</p> <p style="text-align: right;">30 pcs</p>	<p style="text-align: center; font-size: 24px; font-weight: bold;">⑳</p>  <p style="text-align: center;">M4</p> <p style="text-align: right;">1 pc</p>	<p style="text-align: center; font-size: 24px; font-weight: bold;">㉒</p>  <p style="text-align: right;">18 pcs</p>

How to install Camlocks

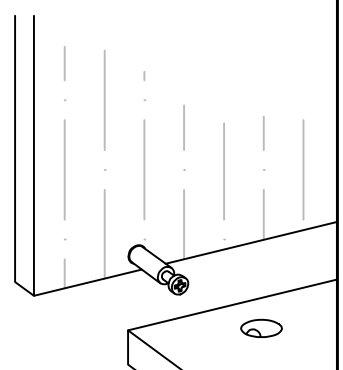
Connect the male camlock as directed in the assembly instructions with a screwdriver.

1 DO NOT OVER TIGHTEN



Put the male camlock into the entry hole.

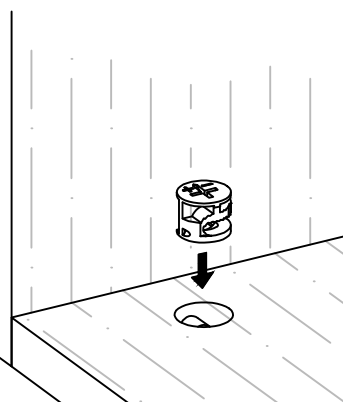
2



Insert the female camlock as shown in the instruction.

Note: ensure that the arrow on the top of the camlock points toward the entry hole for the male camlock.

3

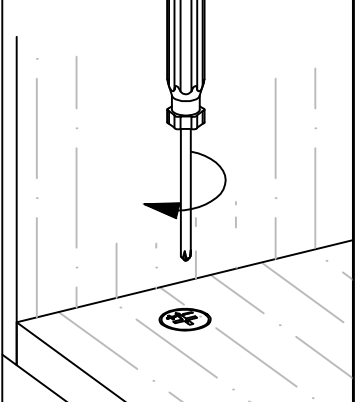


Screw the female camlock clockwise with a screwdriver.

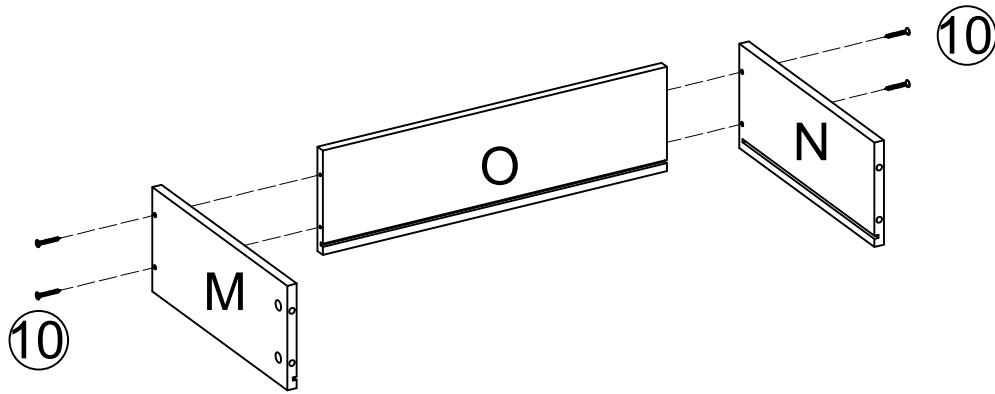
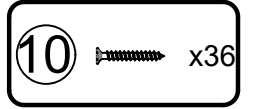
You will feel a click when the camlock is locked in place.

The camlock is now completed.

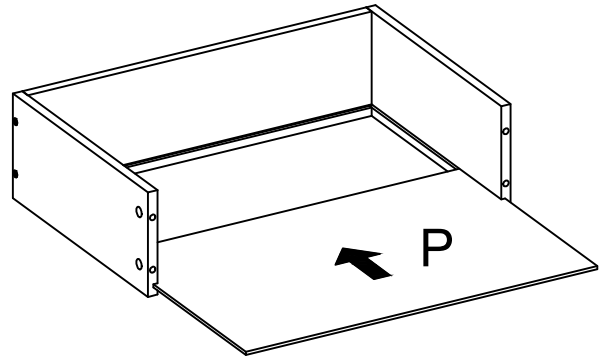
4



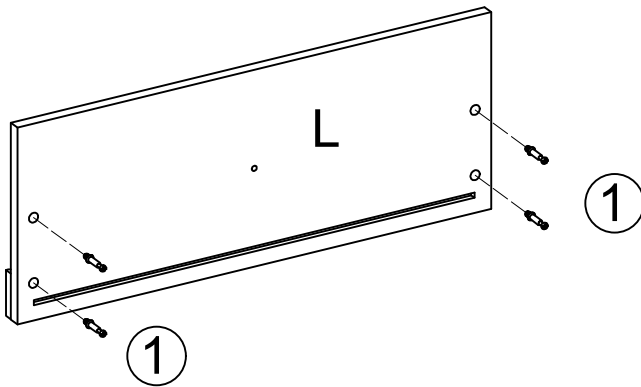
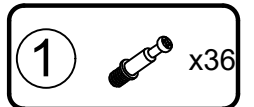
STEP 1



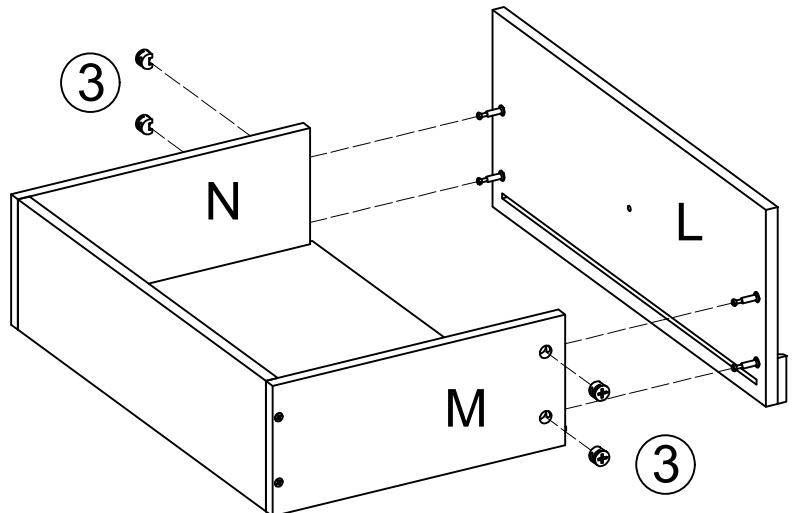
X 9





STEP 2

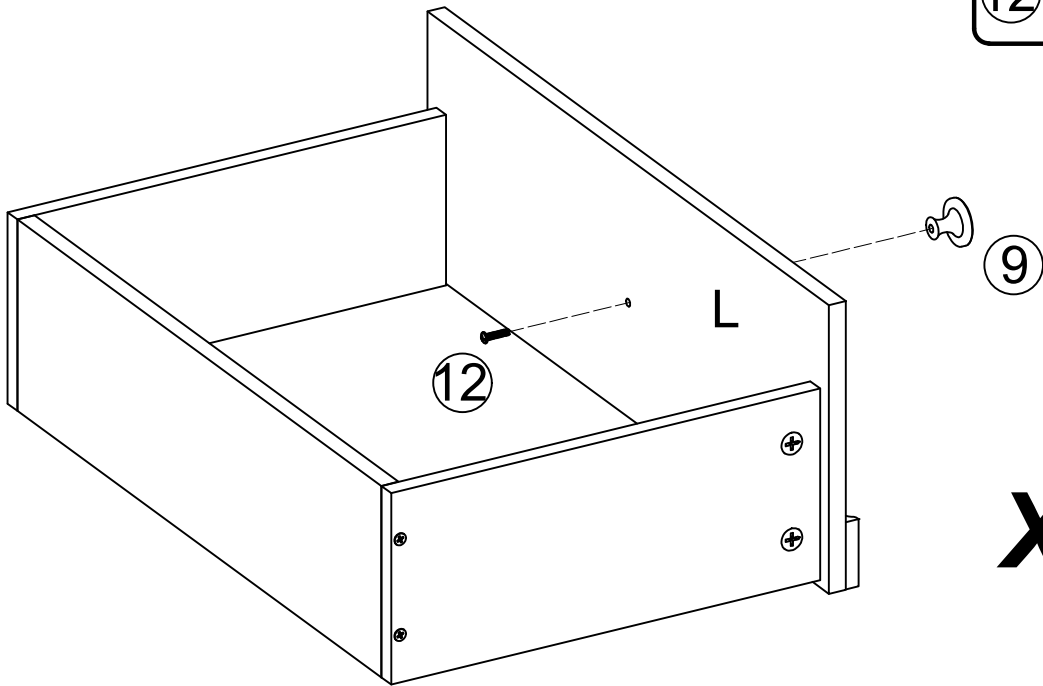


X 9






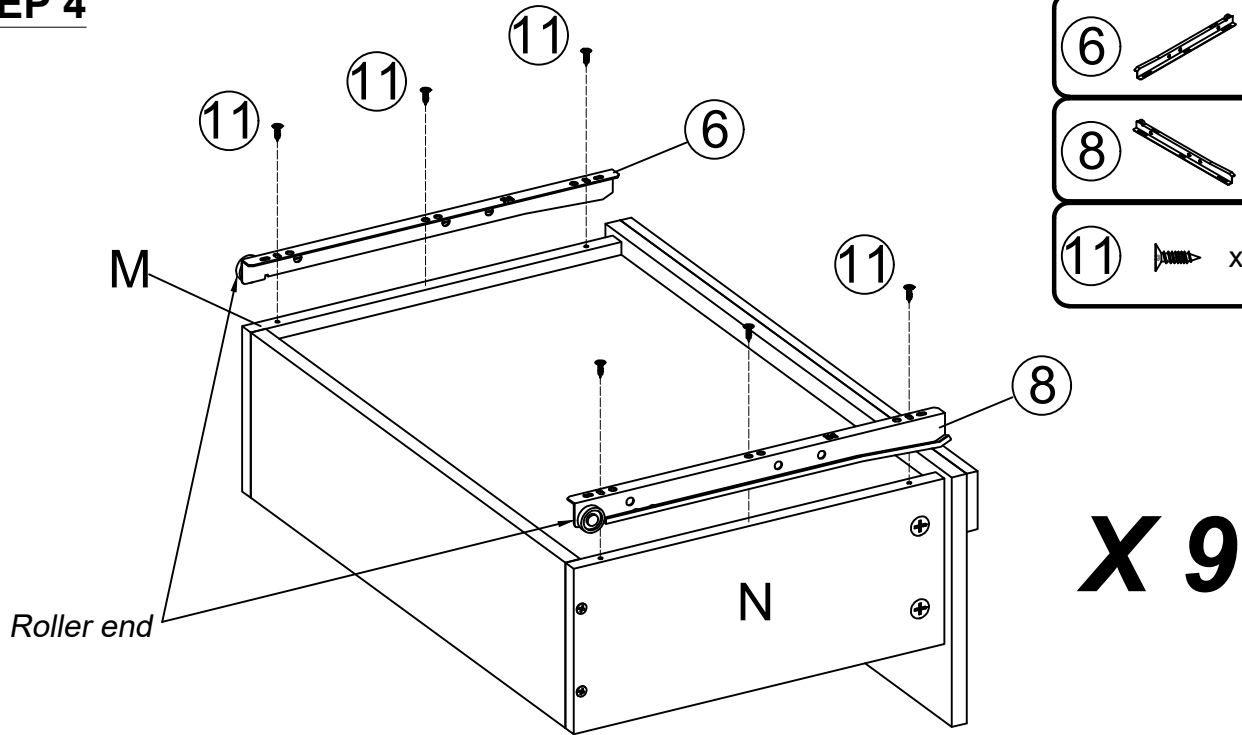
STEP 3

- 9  x9
- 12  x9



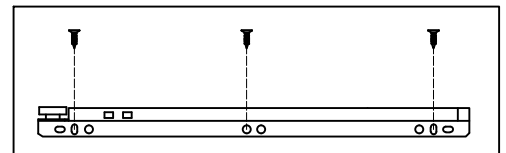
STEP 4

- 6  x9
- 8  x9
- 11  x54

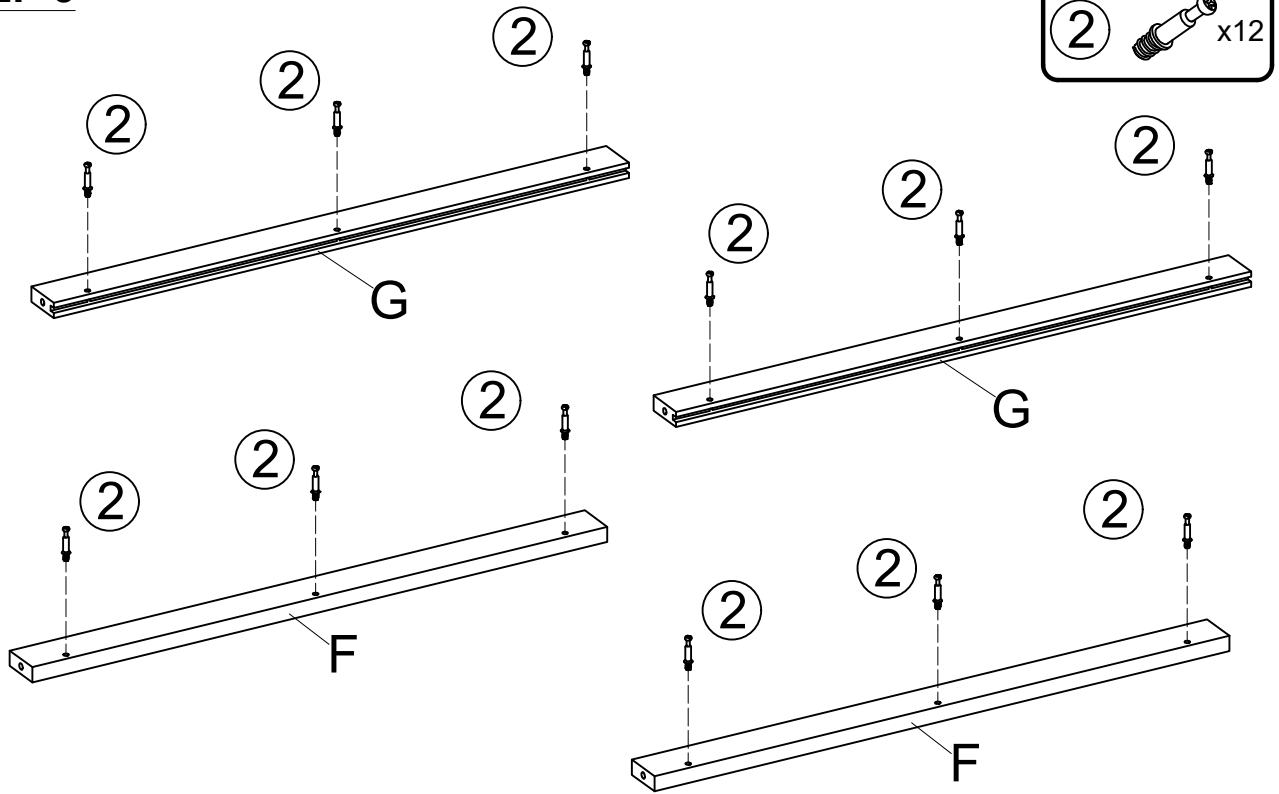


NOTICE:

The installation for all the nine drawers is base on the 1-4 steps above.

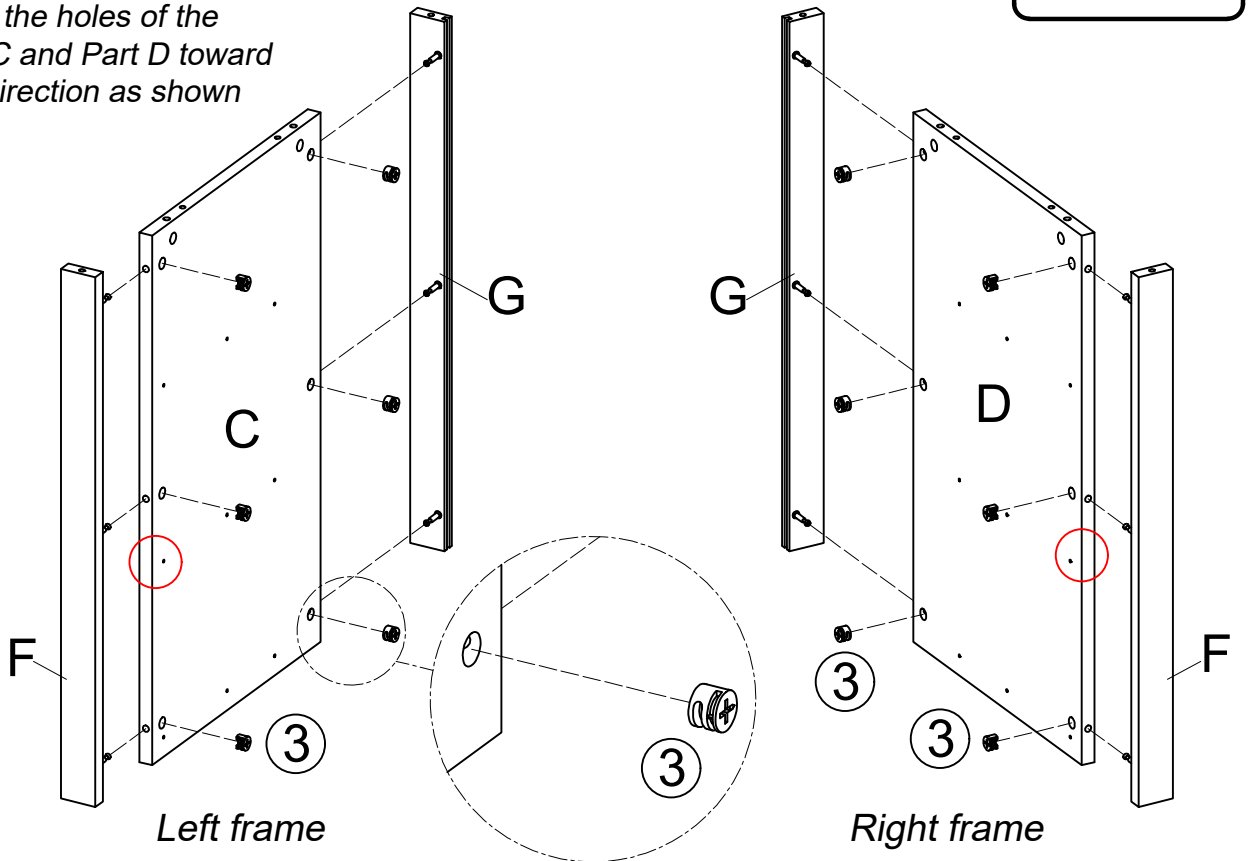


STEP 5



STEP 6

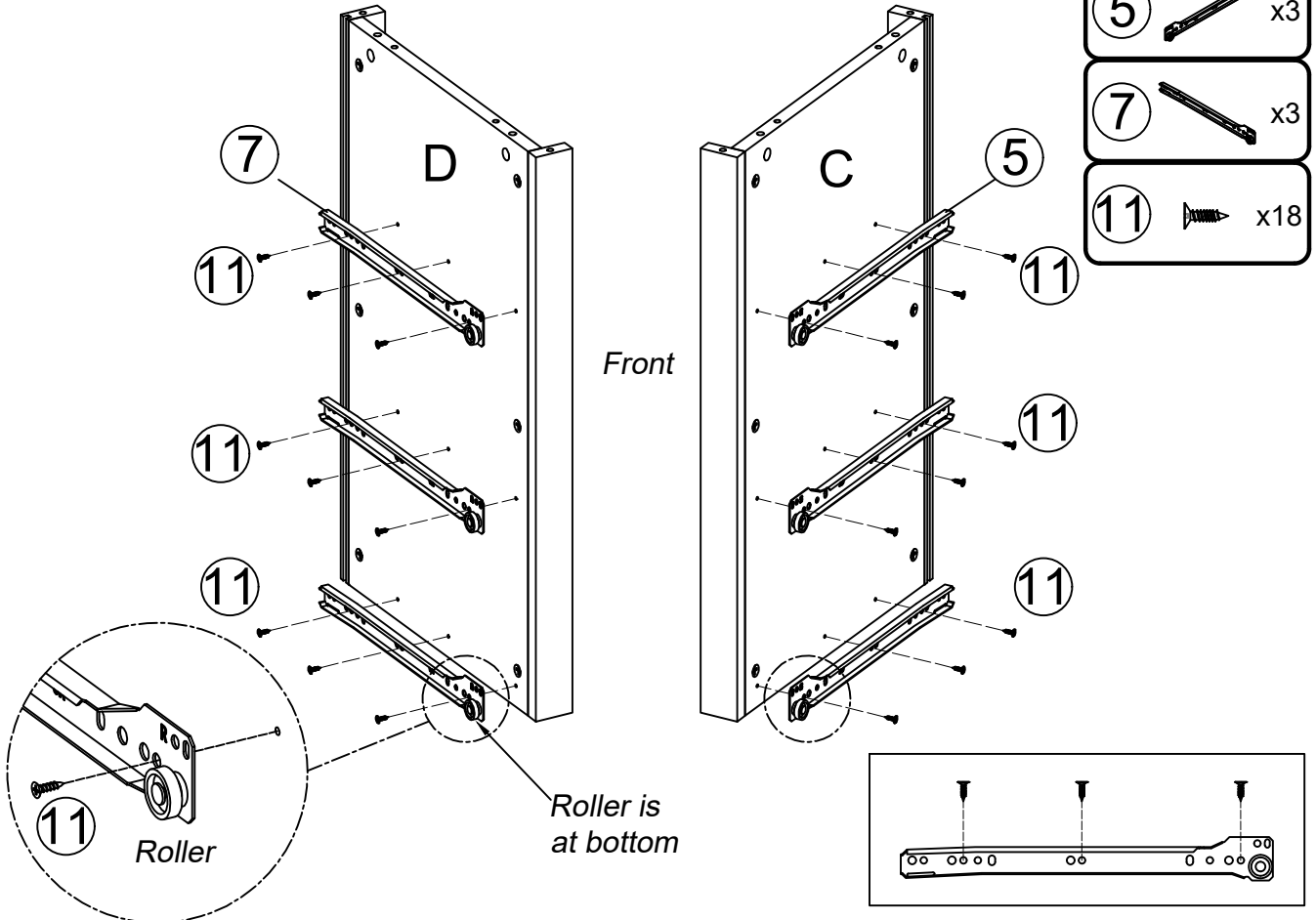
Keep the holes of the Part C and Part D toward this direction as shown



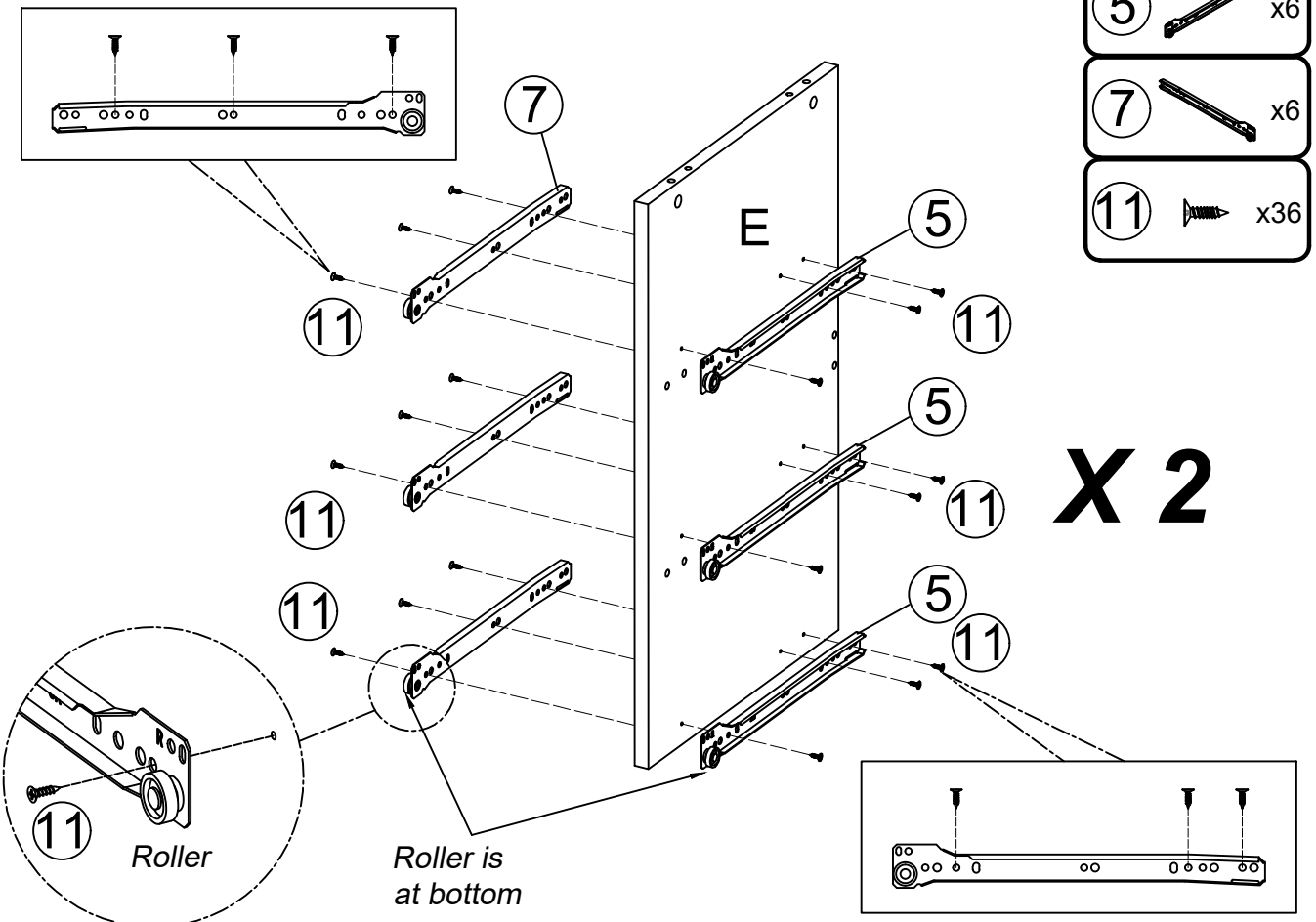
STEP 7

Right frame

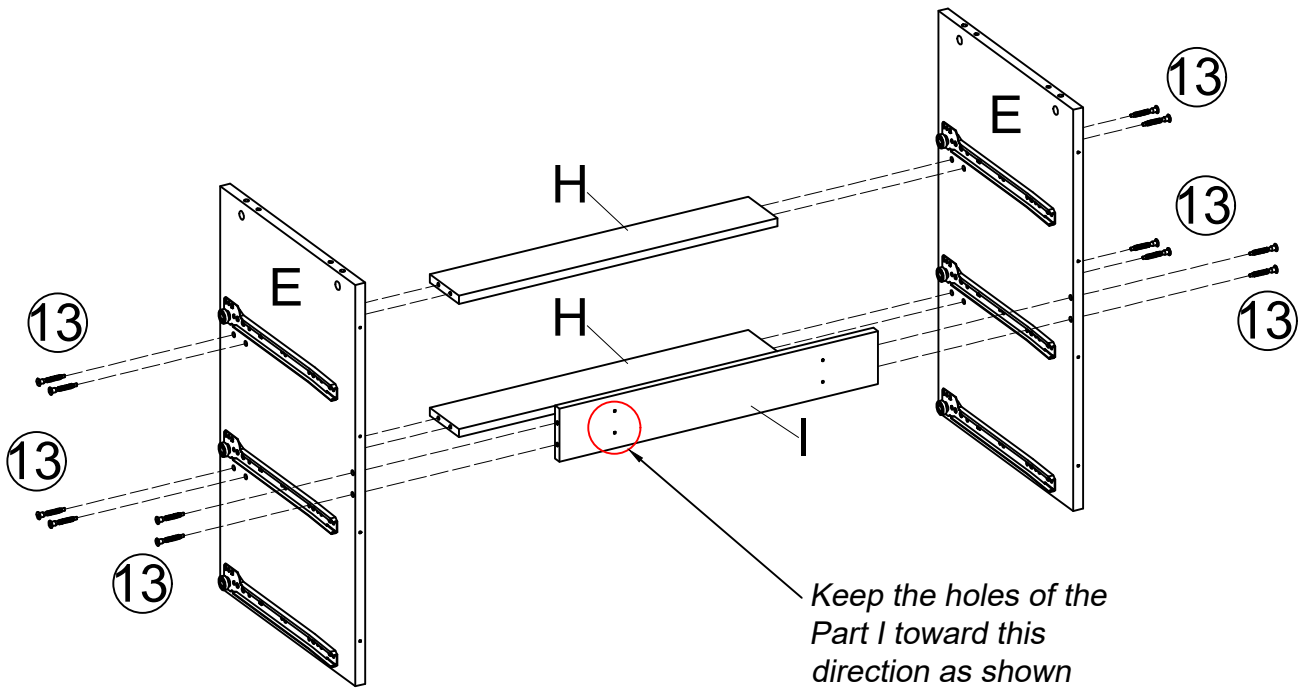
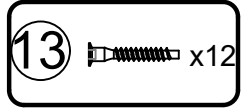
Left frame



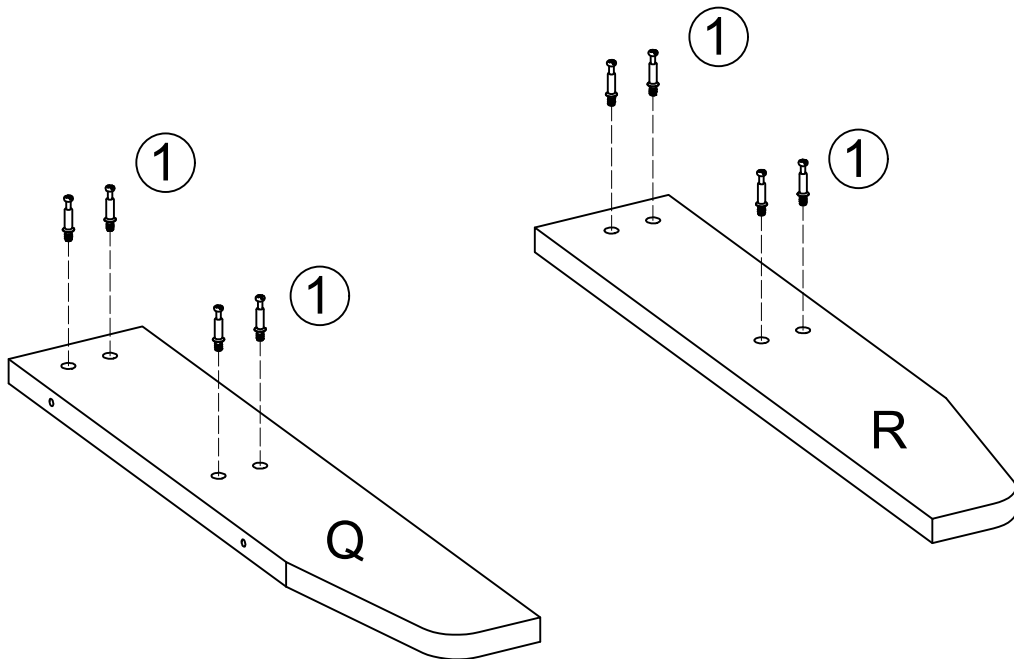
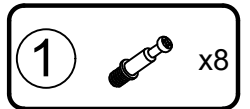
STEP 8




STEP 9

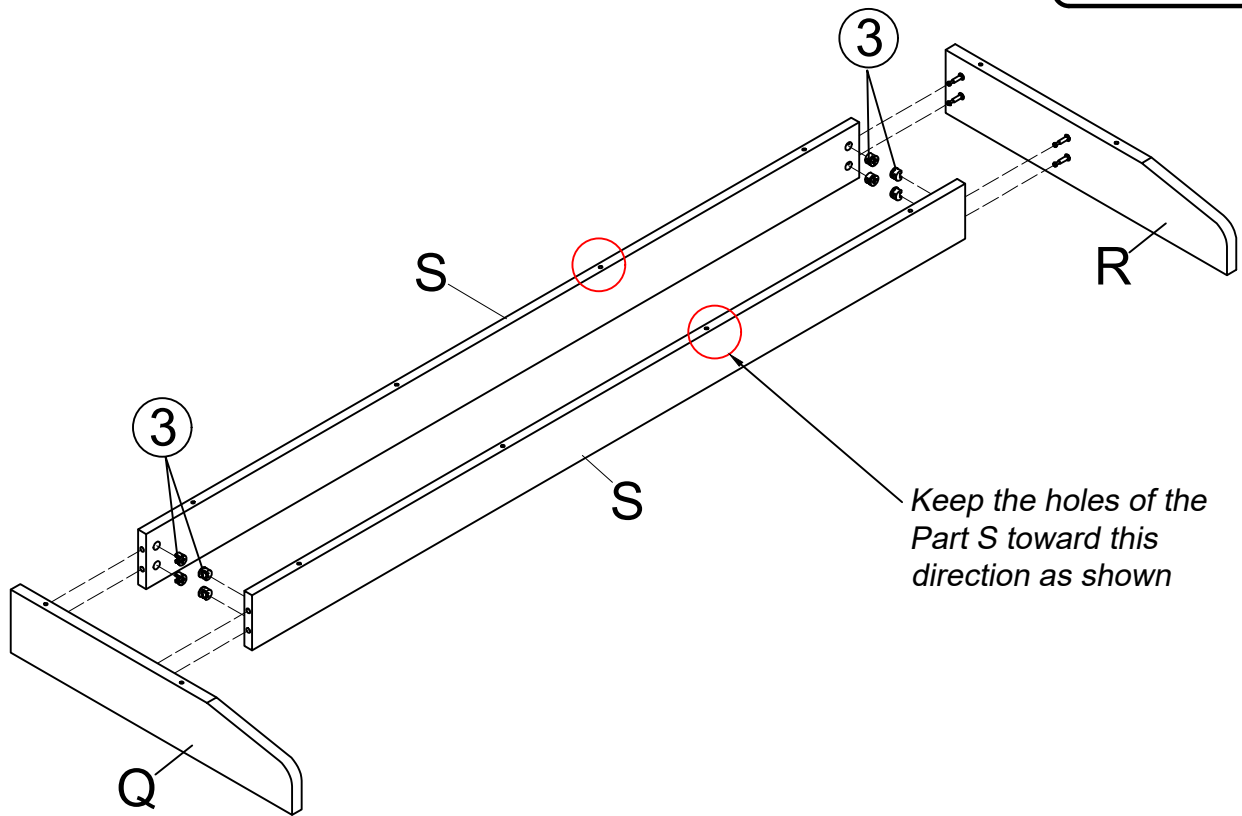


STEP 10




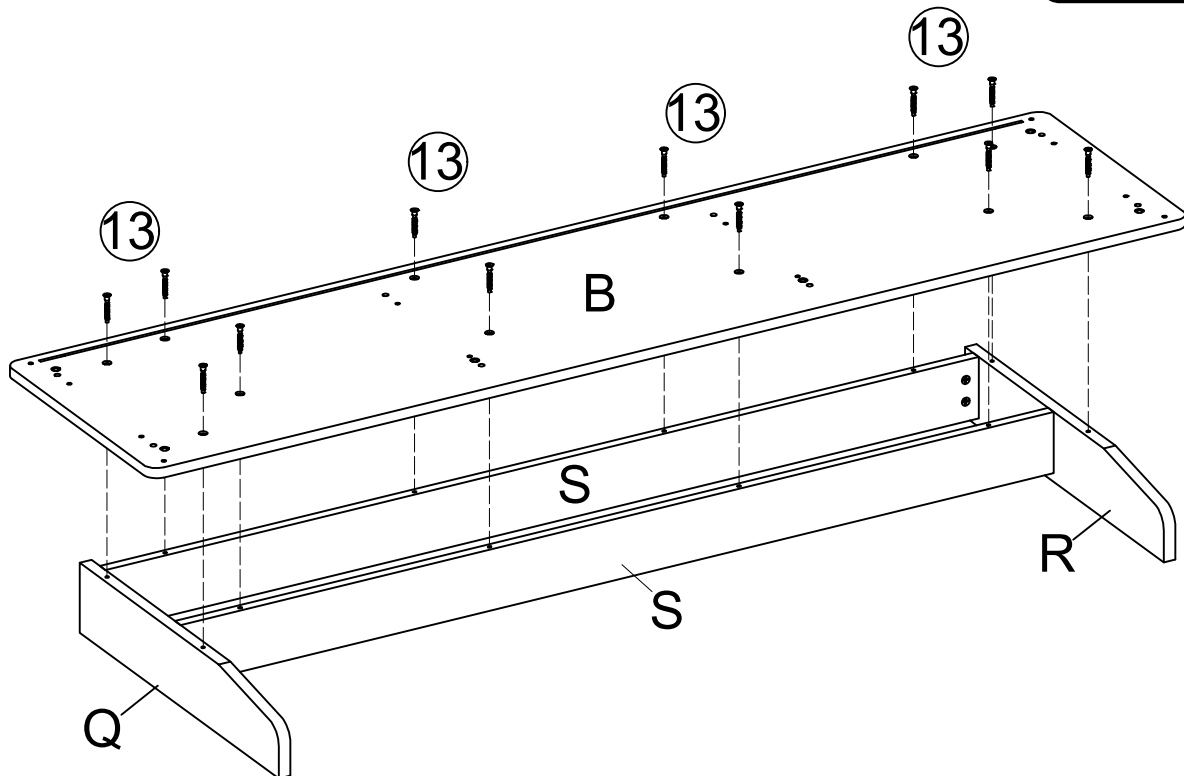
STEP 11

3  x8




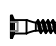
STEP 12

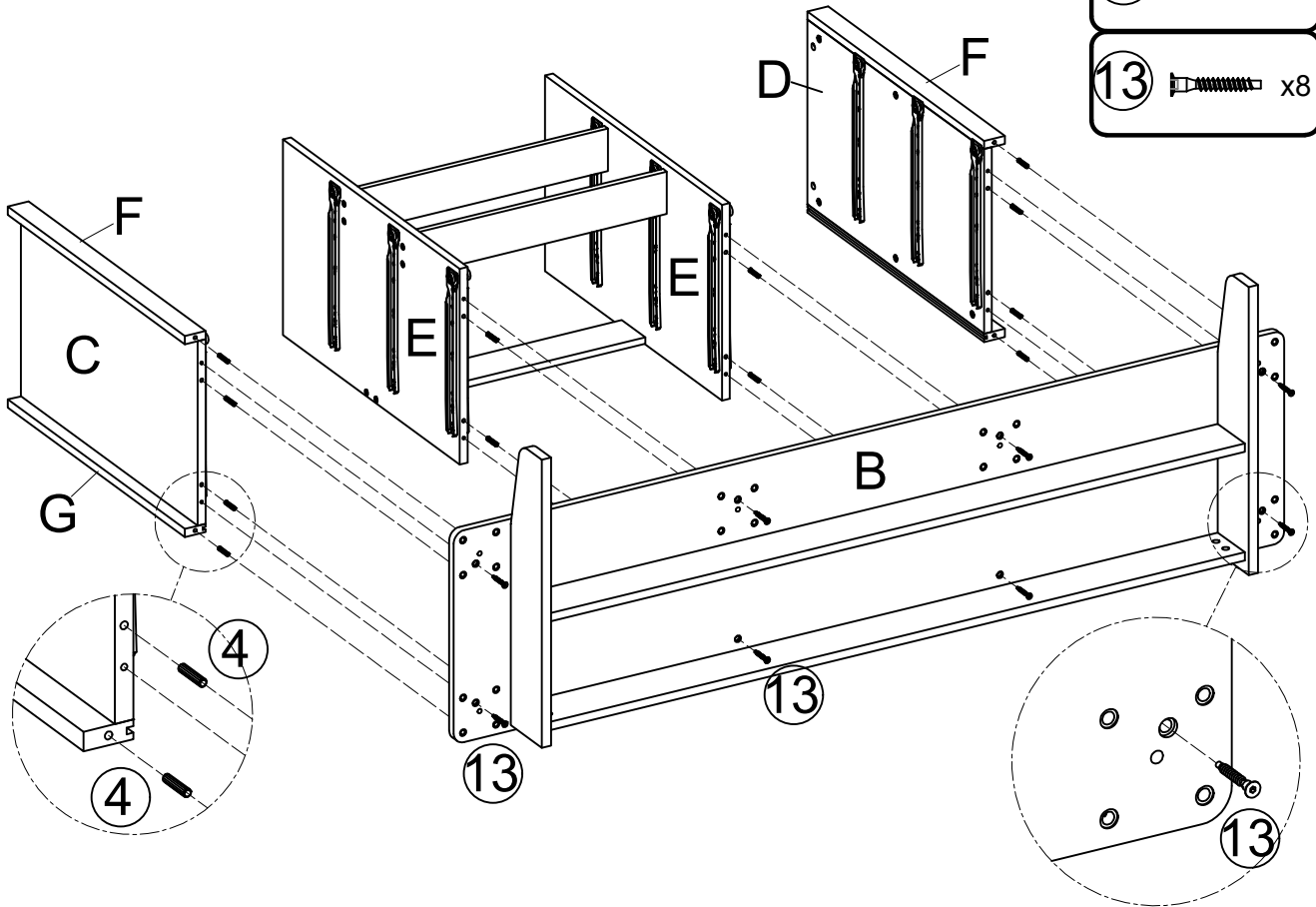
13  x12



STEP 13

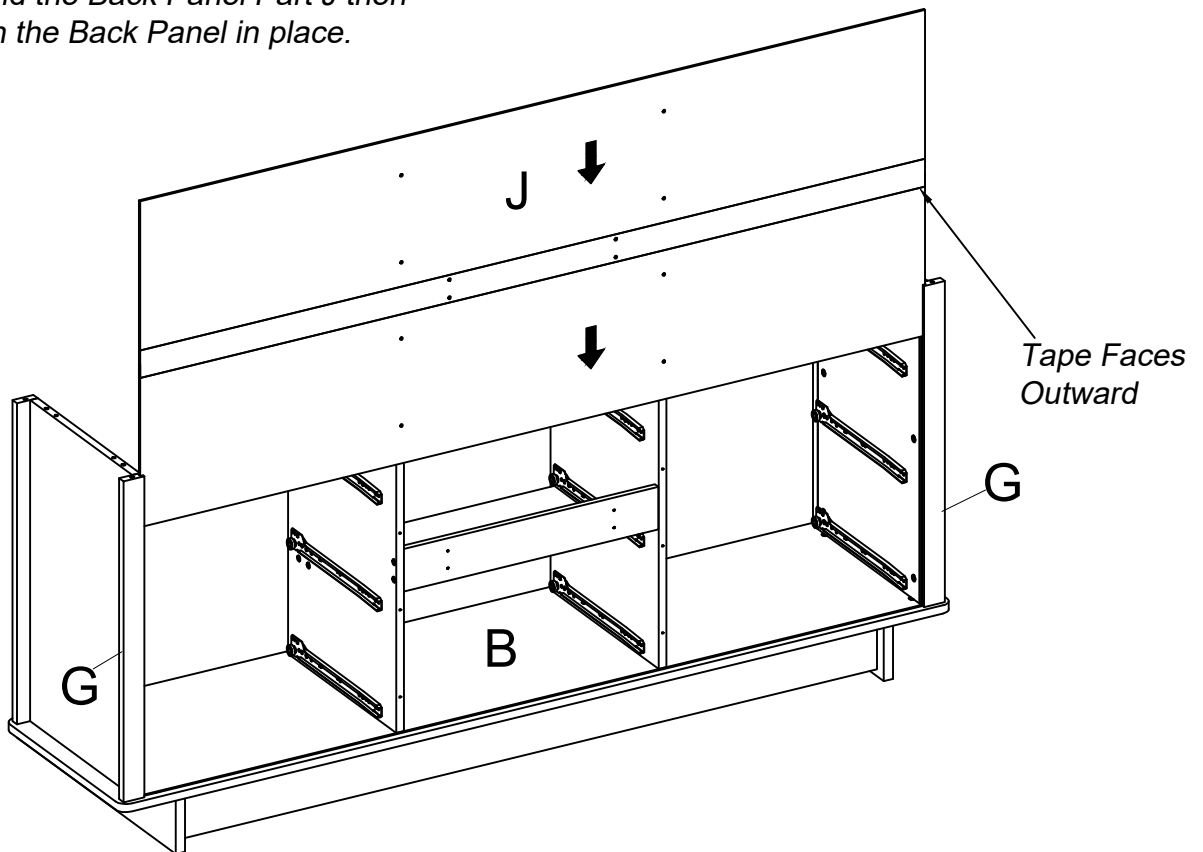
④  x12

⑬  x8

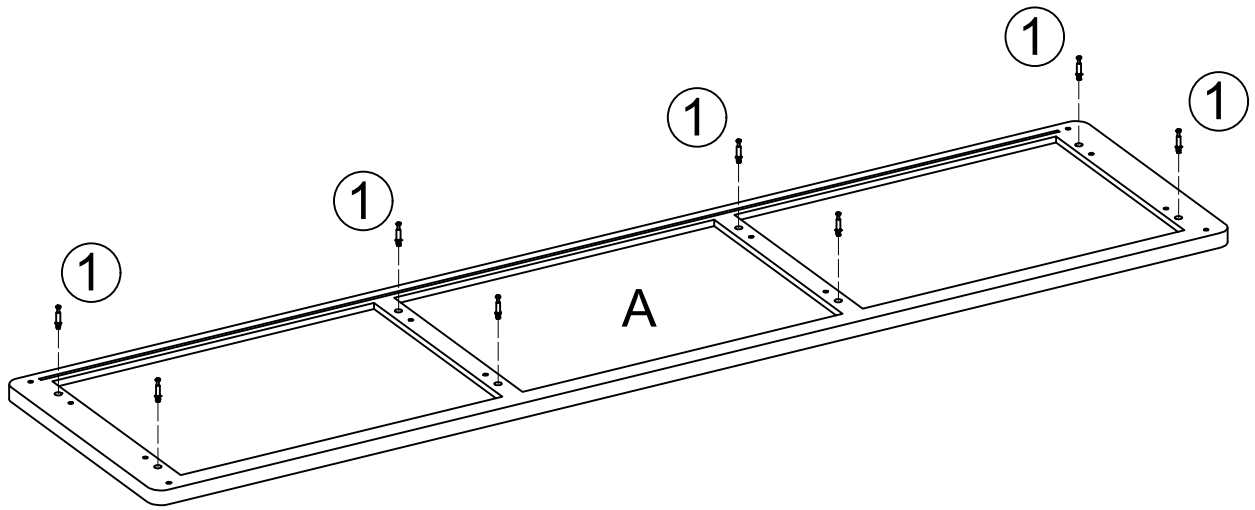
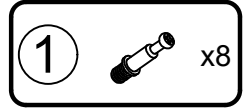


STEP 14

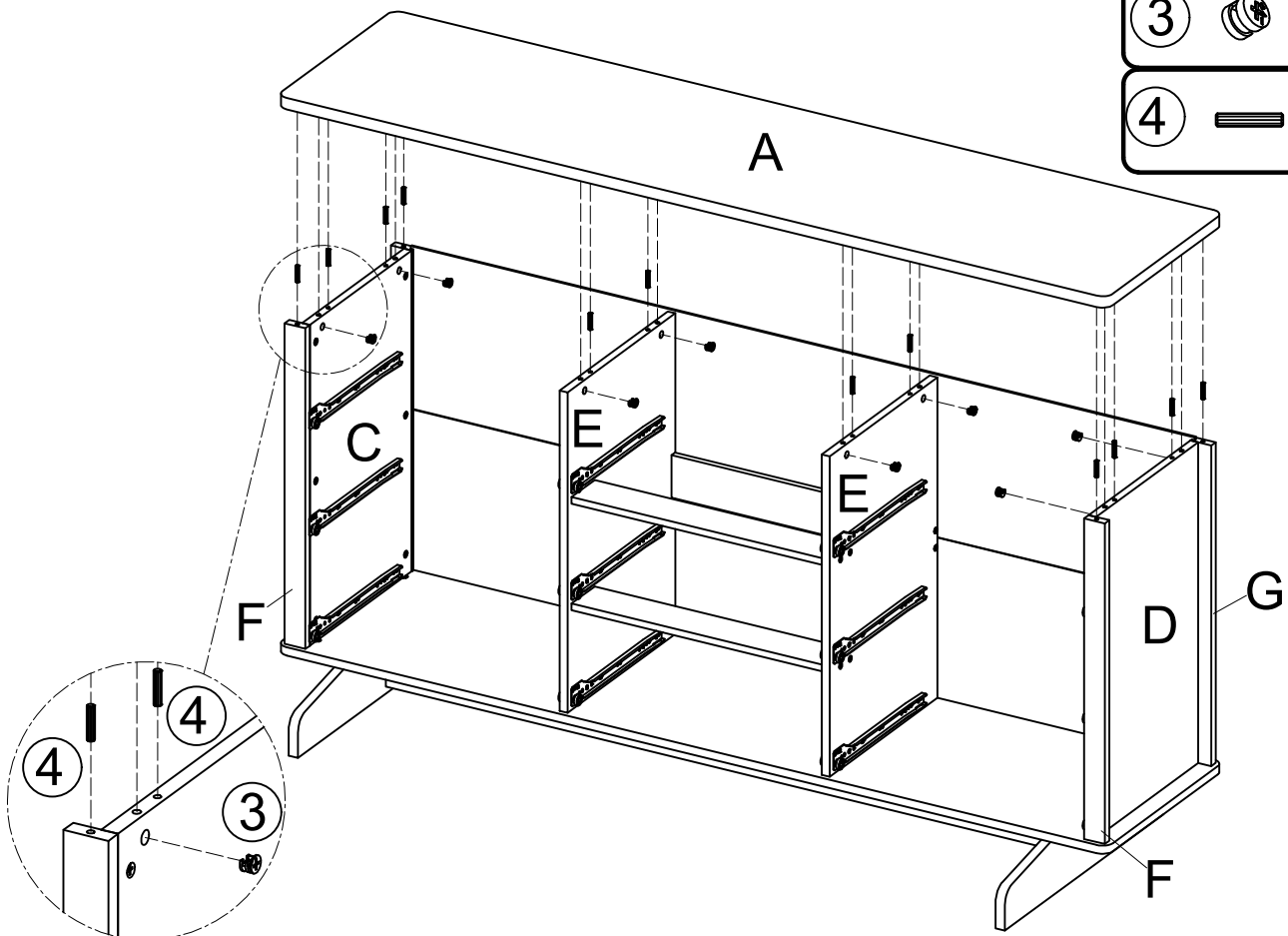
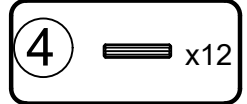
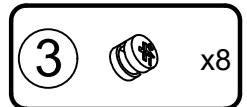
Expand the Back Panel Part J then attach the Back Panel in place.



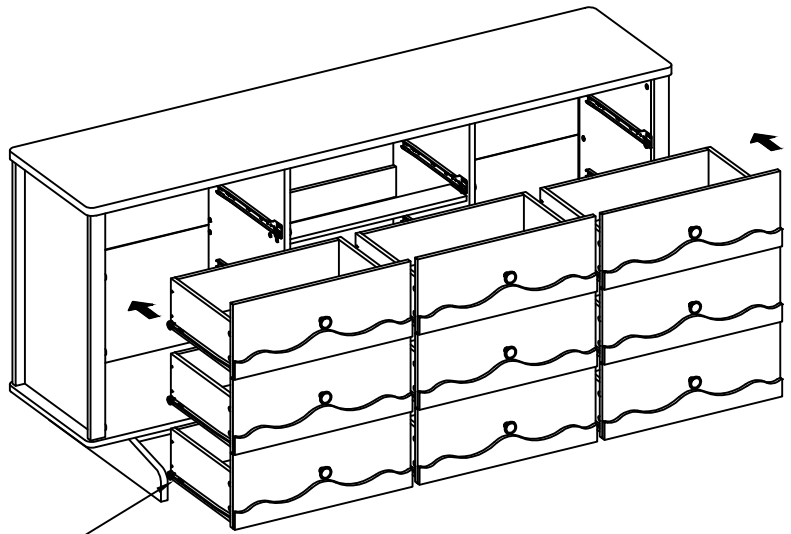
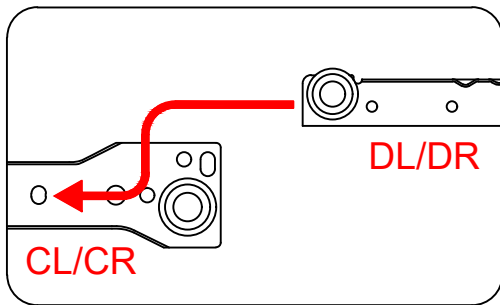
STEP 15



STEP 16

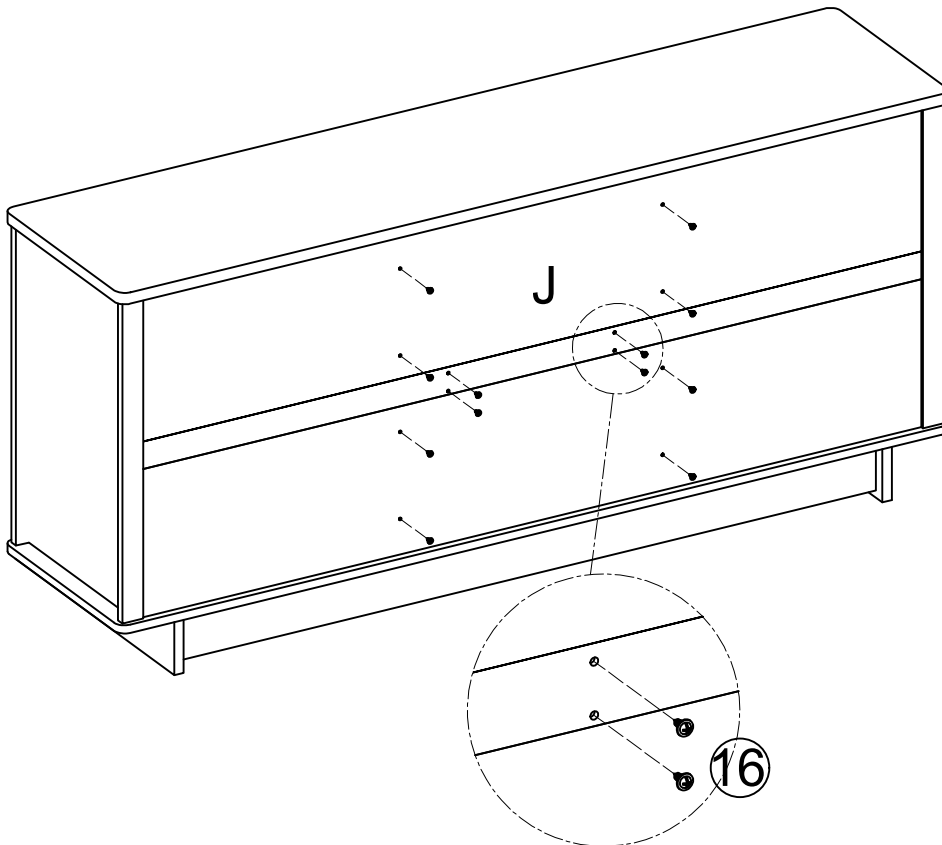
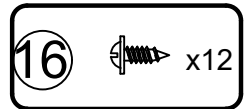


STEP 17





Please put the wheels align with the slots as the instruction shows, then slide into them

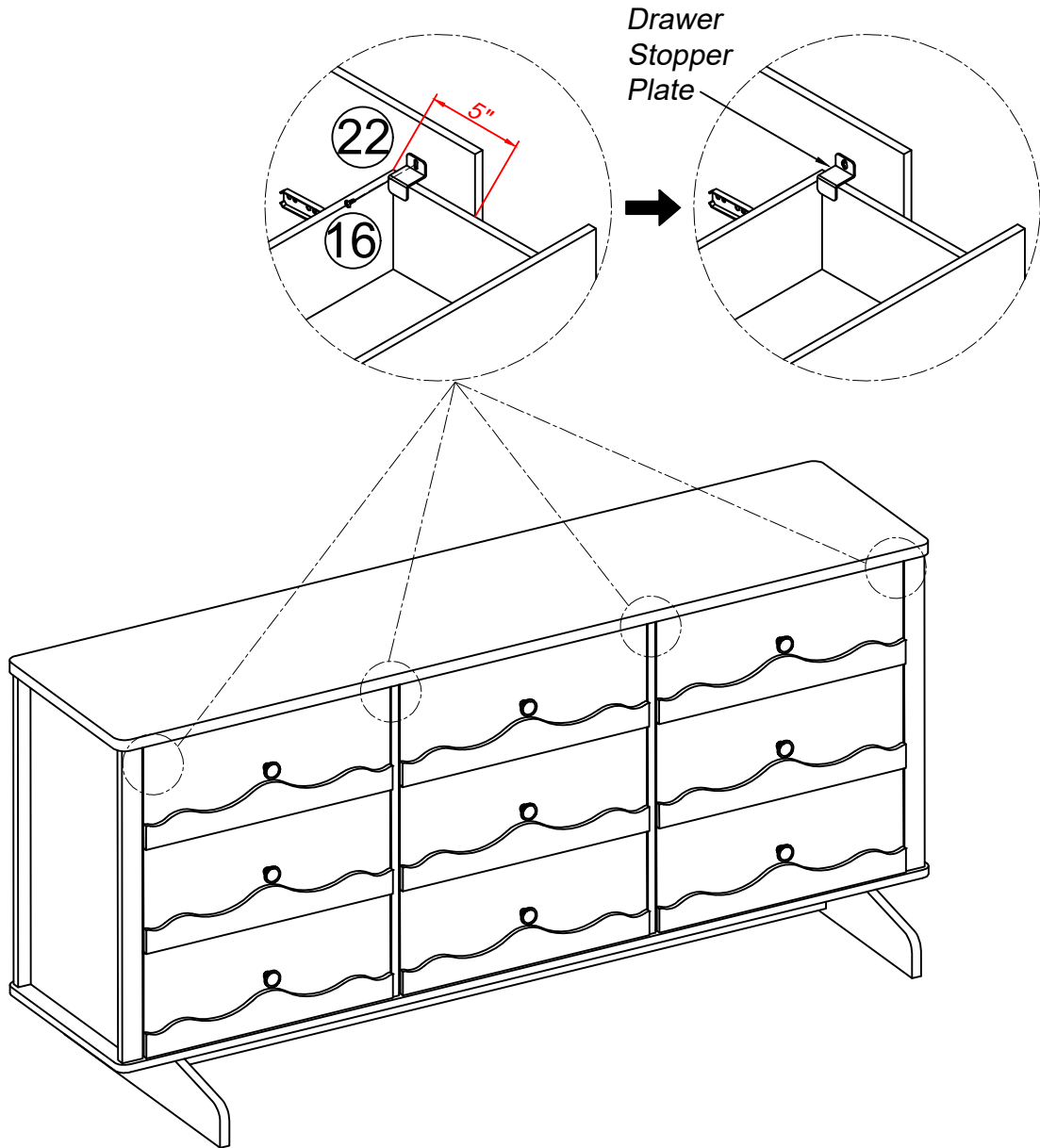
STEP 18



STEP 19

16  x18

22  x18

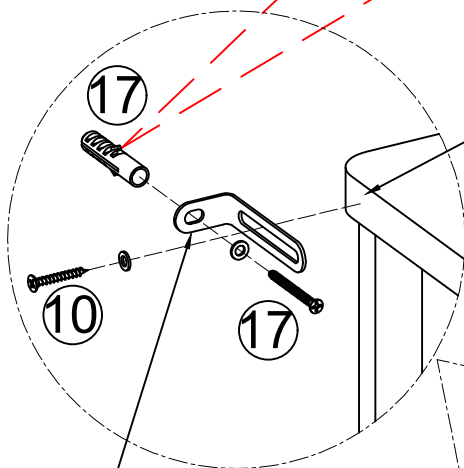
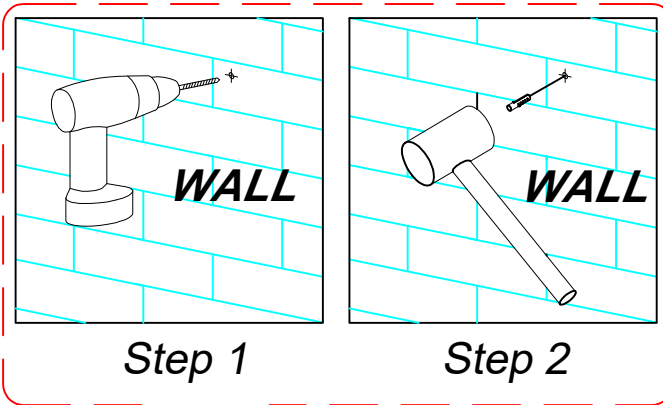
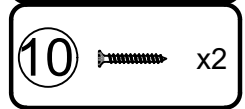
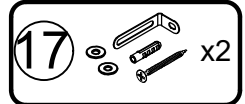


STEP 20

TIPPING RESTRAINT HARDWARE

Note: We have included two Tipping Restraint Hardware set for this Unit. When properly installed, this restraint can provide protection against the unexpected tipping of the Unit due to small tremors, bumps or climbing. We strongly recommend mounting this hardware to a wall stud and your Unit.

Note: You must install the Tipping Restraint Hardware with the unit in use to prevent any accidents or damage to the unit.



There are no reserved holes on top panel, please use tools to screw directly.

Tipping Restraint Hardware

