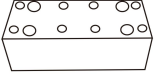

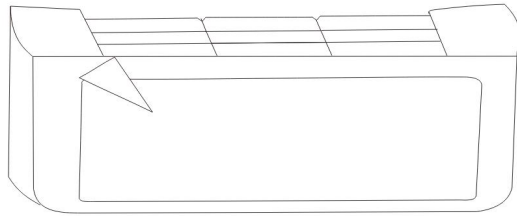
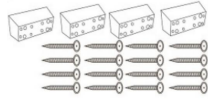


ASSEMBLY INSTRUCTION

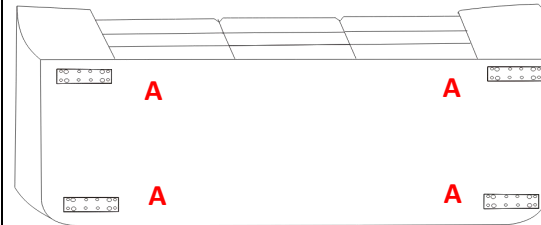
PARTS LIST		
NO.	DESCRIPTION	QTY (pcs)
A		4
B		16

STEP 1

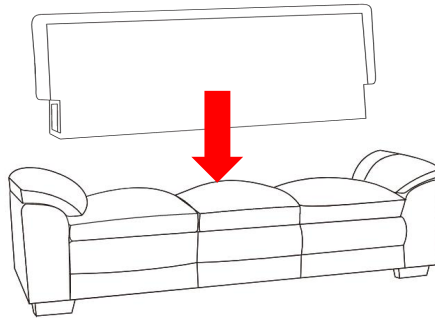


Take out legs from the sofa bottom

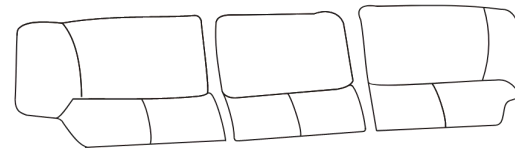
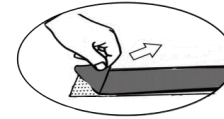
STEP 2



STEP 3

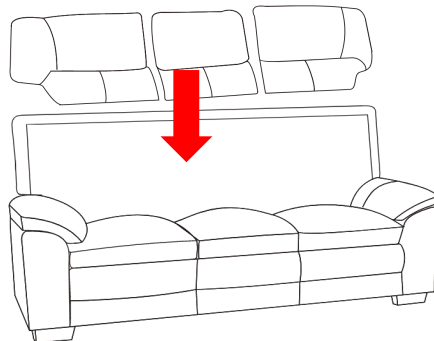


STEP 4



Tear off the black fabric attached on the velcro before assembling

STEP 5



STEP 6

