

size:42x28cm

fold line,do no print

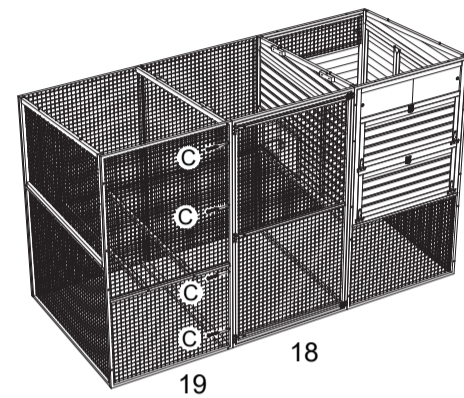
ZYLINA

CONNECTING LIFESTYLE WITH NATURE

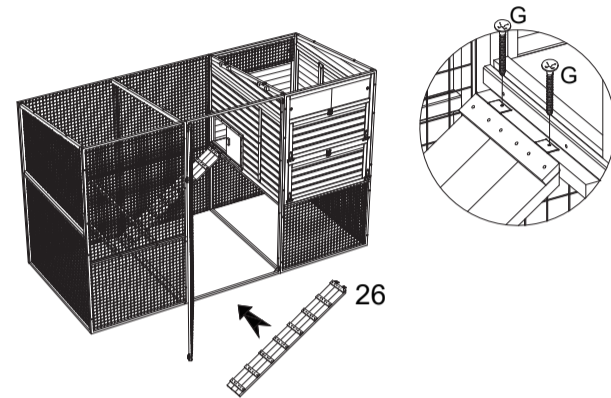
www.zylina.com

SKU# Z-2020W1

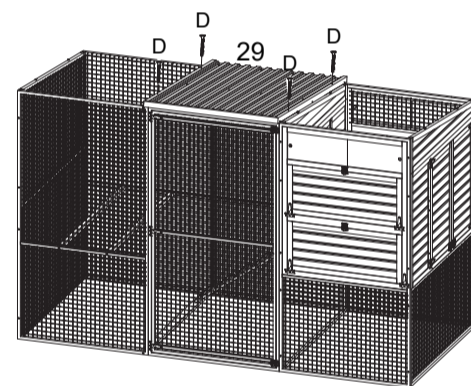
**Modern ULTRAGUARD Large Metal Framed
Chicken Coop
Instruction Manual**



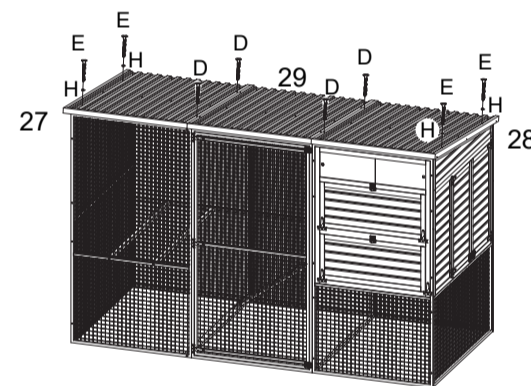
Step 18. Connect Panel (19) to Panel (18) using Screw (C).



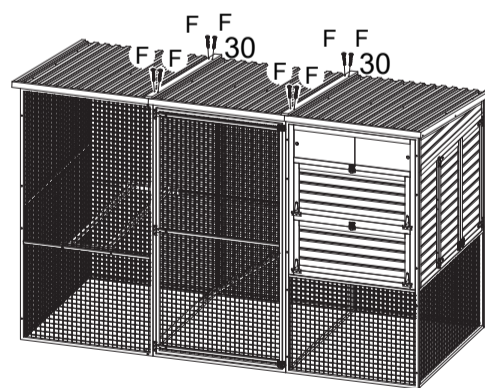
Step 19. Attach Ramp (26) to the sliding door using Screw (G).



Step 20. Attach Roof (29) using Screw (D).

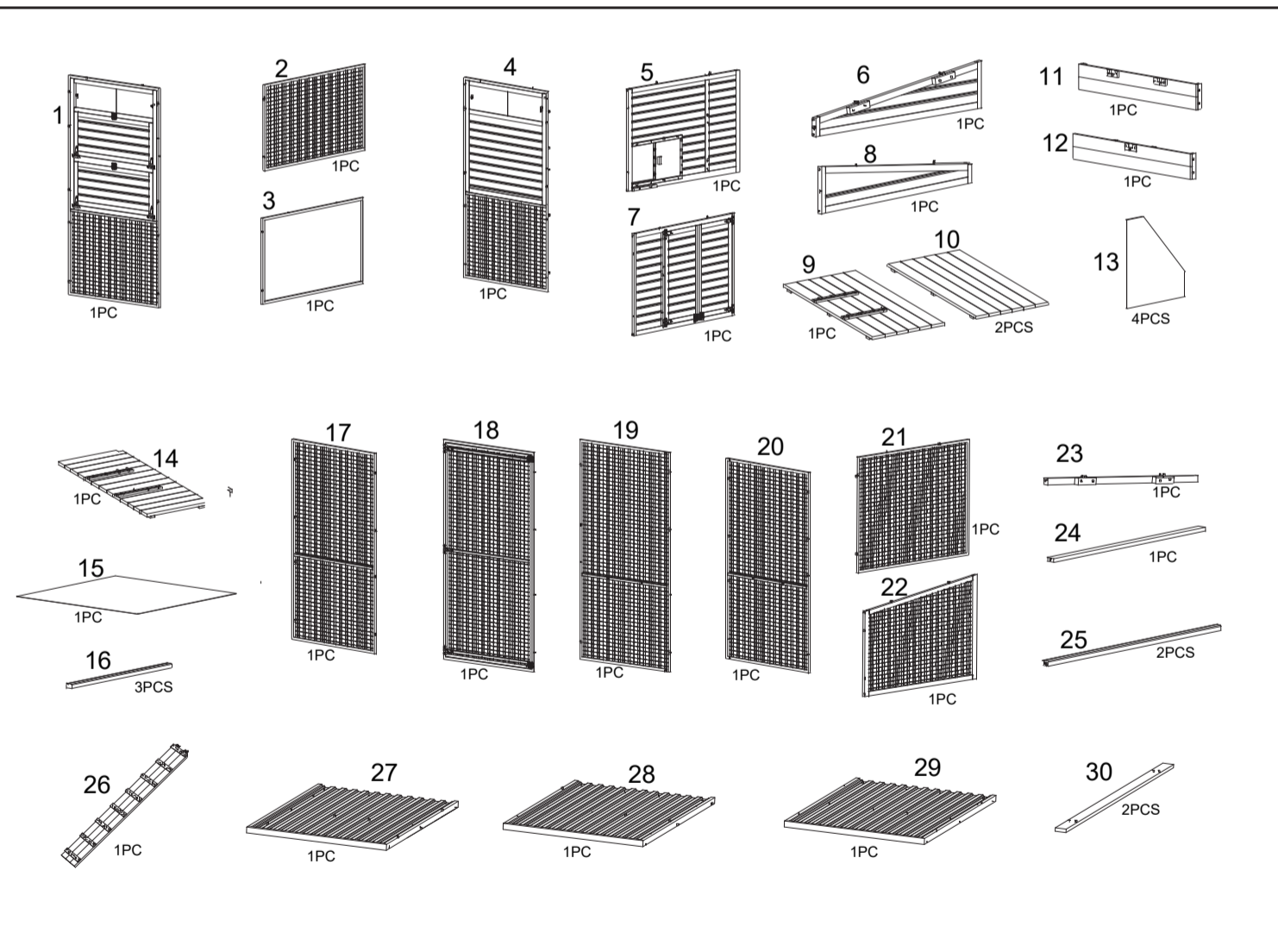


Step 21. Attach Roofs (27), (28) using Screw (E) with Washer (H) and Screw (D).



Step 22. Attached Board (30) using Screw (F).

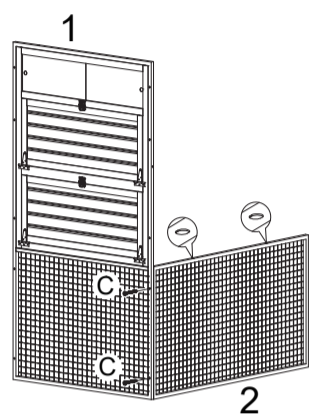
| | | | | | | | | | | | |
|---|--|---------|------|---|--|---------|-------|---|--|---------|-------|
| A | | M6*50 | 8PCS | B | | M6*40 | 30PCS | C | | M6*35 | 28PCS |
| D | | M3.5*60 | 8PCS | E | | M3.5*40 | 4PCS | F | | M3.5*30 | 8PCS |
| G | | M3.0*16 | 2PCS | H | | | 4PCS | | | | |



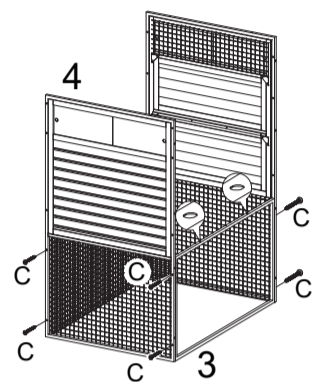
back cover

front cover

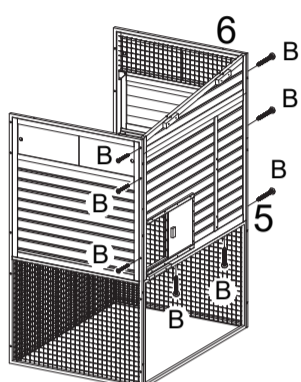
fold line, do no print



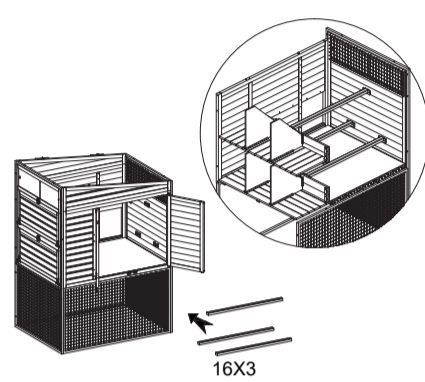
Step 1. Connect Panel (1), (2) using Screw (C). Ensure the pre-drilled hole of Panel (2) faces up.



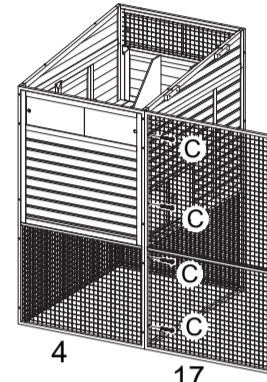
Step 2. Connect Panel (3), (4) to Panel (1), (2) using Screw (B). Ensure the pre-drilled hole of Panel (3) faces up.



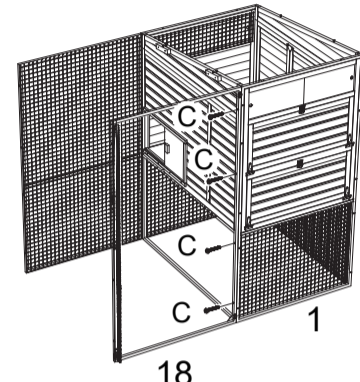
Step 3. Attach Panel (5) above Panel (3) using Screw (B). Then, attach Panel (6) above Panel (5) using Screw (B).



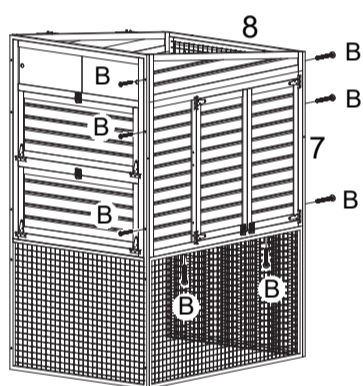
Step 10. Place Roosting Bar (16) as shown in the zoom-in image.



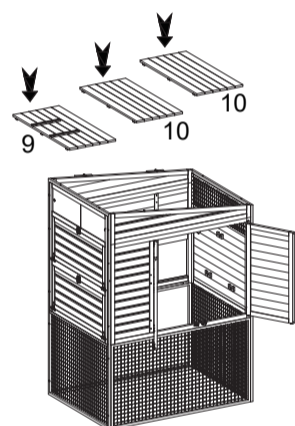
Step 11. Attach Panel (17) to Panel (4) using Screw (C).



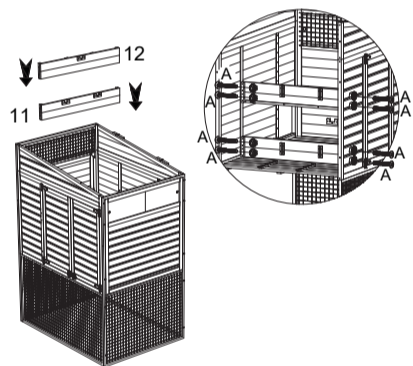
Step 12. Attach Panel (18) to Panel (1) using Screw (C). Keep the door open to fix Screw (C) through the door frame.



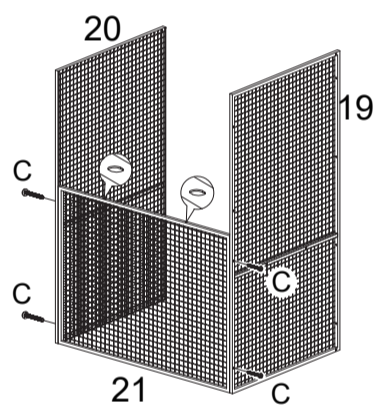
Step 4. Attach Panel (7) above Panel (2) using Screw (B). Afterwards, attach Panel (8) above Panel (7) using Screw (B)



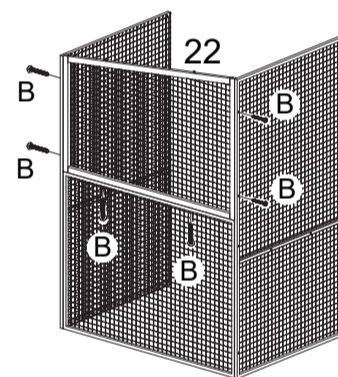
Step 5. Insert Panel (9), (10) into the structure.



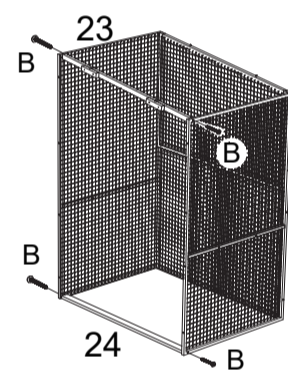
Step 6. Insert Panel (11), followed by Panel (12). Secure them using Screw (A). Refer to the zoom-in image for correct assembly.



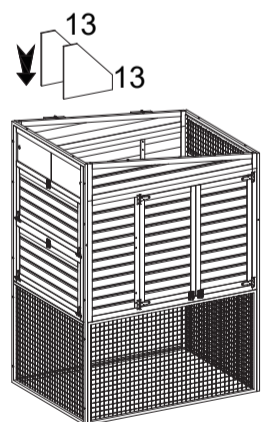
Step 13. Connect Panel (19), (20) and (21) using Screw (C). Note the pre-drilled hole of Panel (21) needs to face up.



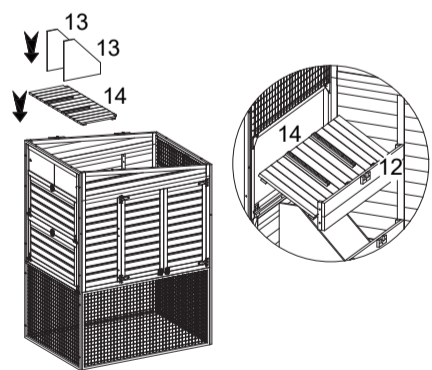
Step 14. Attach Panel (22) to Panel (19), (20), (21) using Screw (B).



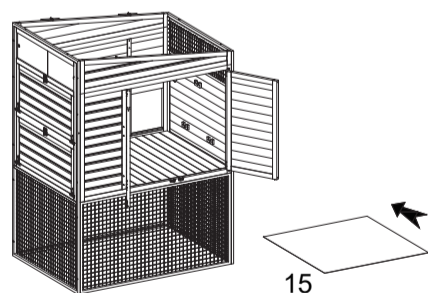
Step 15. Attached Panel (23), (24) using Screw (B).



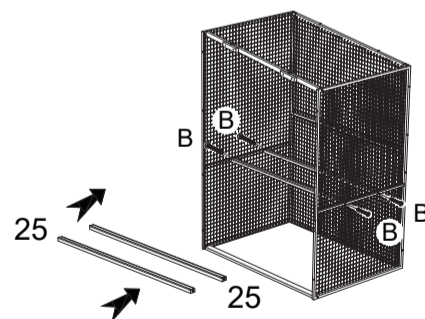
Step 7. Insert Panel (13) at the bottom.



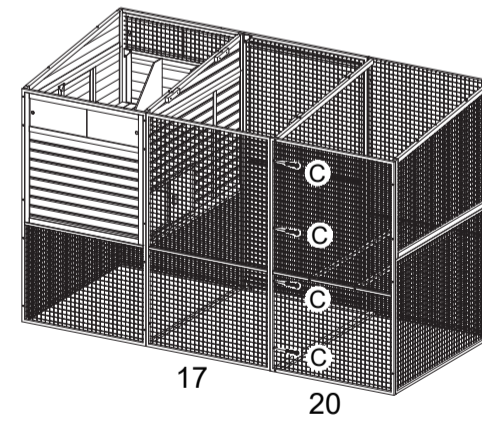
Step 8. Insert Panel (14), then Panel (13) again.



Step 9. Insert Plastic piece (15) through the front door to cover the wood bottom.



Step 16. Insert Roosting Bar (25) and secure them using Screw (B).



Step 17. Connect Panel (20) to Panel (17) using Screw (C).