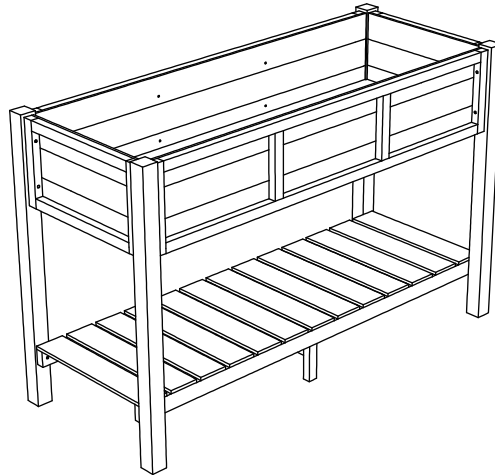




USER'S MANUAL

SKYLAR SERIES

RAISED GARDEN BED



Guide of Manual

- ★ Thanks for your choice. **We will do our best to provide customer service for everyone.**
- ★ Please check to make sure all parts are included as stated when you unpack. If there are parts missing or wrong, please contact us, **we will expeditiously provide reissue accessories, compensation or other services.**
- ★ Instruction should be read carefully. But the manual may not cover every detail of all possible situations and steps. **Please contact us if further information and help are needed. We will respond in a timely manner.**
- ★ Please be patient that the other items are on the way if you buy more than one product.

Care and Maintenance

- Use a soft, clean cloth that will not scratch the surface when dusting.
- If you run into scratches problems, we suggest you erase the scratches by knife.
- This item could be cleaned with soap and water. Be sure to avoid harsh solvents and abrasives.
- Periodically (every 90 days) make sure the screws are fully tightened.

Material

- 100% HDPS

Warning

- It's kindly advised to assemble this product on a carpeted floor to protect it from being scratched.
- Small parts are included. Please keep the product away from children while assembling. Do not let children play or jump on the product. Do not stand on the item or use as a step ladder.
- Please pay attention to the sharp corners during assembly. We recommend the use of gloves to prevent the undesired injury.
- Prior to use, please check to see if there's any loosening screw or part. Make sure that each screw and part is correctly installed and securely fastened.
- Usually it's unnecessary to use electric drill. Please at a low gear if you need.

Resists Pest & Rough Weather

- These all-weather items can be stored outdoors year-round. Perfect for people who lives in a wet climate or lives on the coast where humidity and moisture will be an issue all year.

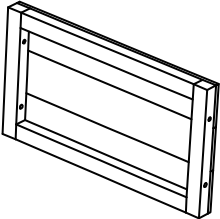
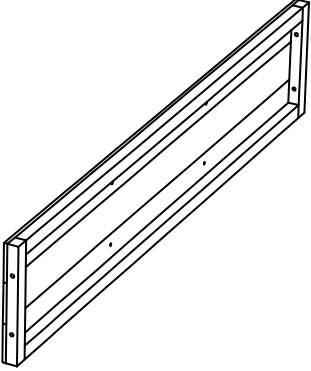


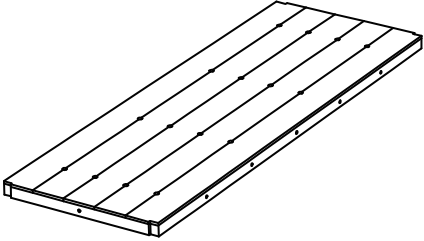
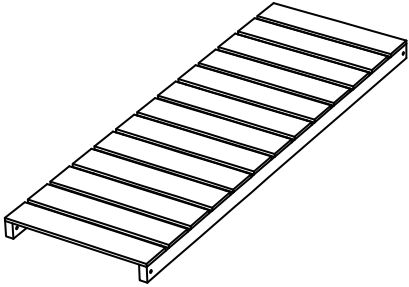
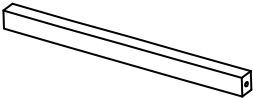

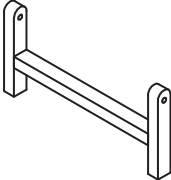
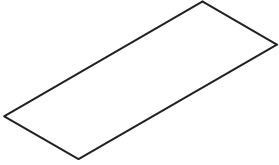
Max weight capacity

- 200lbs [Do not stand on the item]



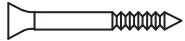

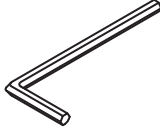
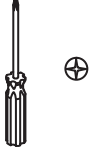
Parts List & Assembly Instruction

1. Make sure all parts are in the package.
2. "+" in below list indicates that additional pieces are replacement parts.
3. Do not fully tighten anything until all screws, nuts, washers and bolts are in place.


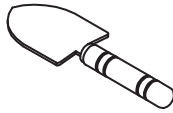
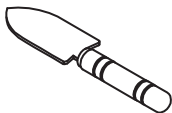

Parts List

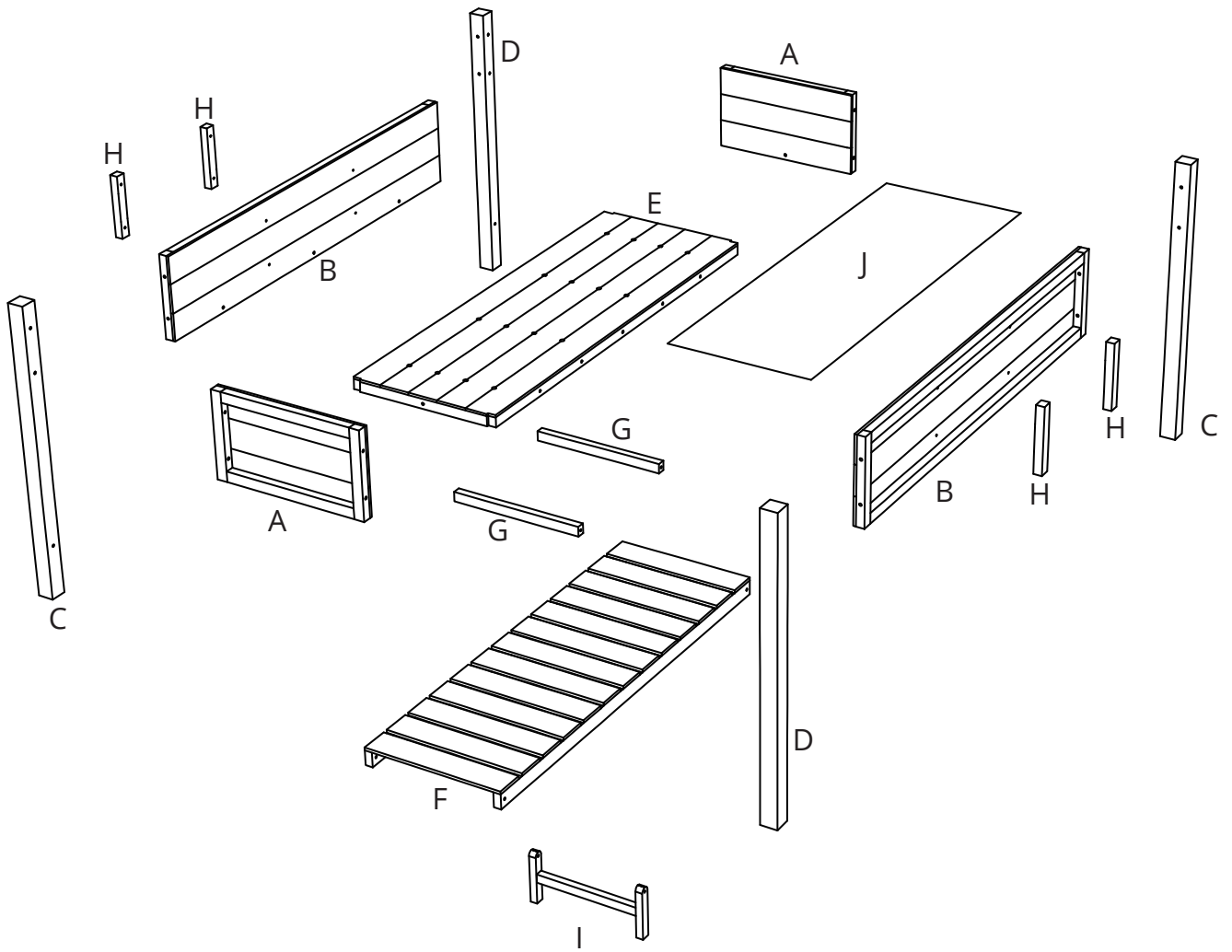
<p>A x 2PCS Side Plate</p> 	<p>B x 2PCS Front Plate</p> 	<p>C x 2PCS Leg</p> 	
<p>D x 2PCS Leg</p> 	<p>E x 1PC Base Plate</p> 	<p>F x 1PC Bottom Shelf</p> 	
<p>G x 2PCS Base Plate's Bar</p> 	<p>H x 4PCS Front Plate's Bar</p> 	<p>I x 1PC Bottom Shelf's Support Frame</p> 	<p>J x 1PC Nonwovens</p> 

Hardware List

 <p>AA x 8+1PCS Screw (4*25)</p>	 <p>BB x 4+1PCS Screw (4*40)</p>	 <p>CC x 2PCS Bolt (M5*35)</p>
 <p>DDx 28+2PCS Bolt (M6*35)</p>	 <p>EE x 1PC Allen Wrench</p>	 <p>FF x 1PC Phillips screwdriver (not included)</p>



Complimentary Tools

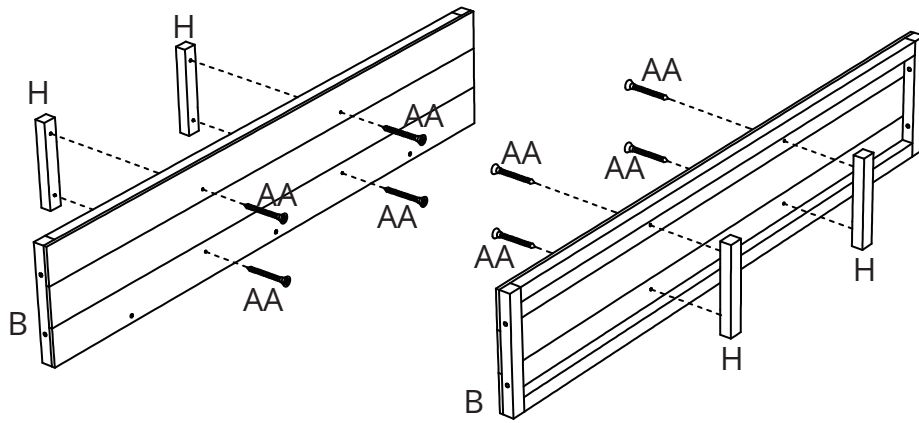
<p>1PC Rake</p> 	<p>1PC Scoop</p> 
<p>1PC Scoop</p> 	<p>3PCS Adhesive Hook</p> 



Step1



Fix the Front Bars (H) to the concave surface of the Front Plates (B).

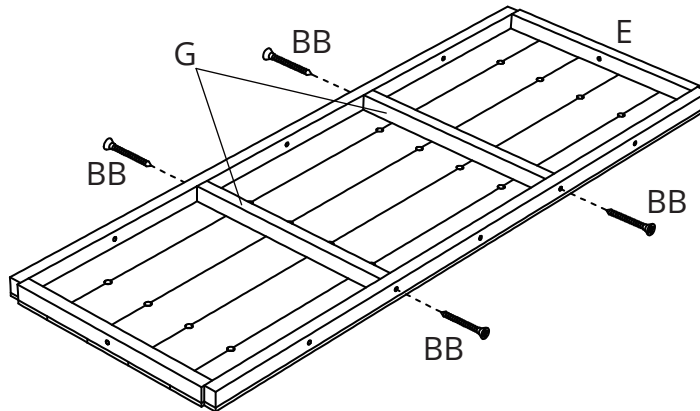
- AA  x8
- FF  x1



Step2



Fix the Base's Plate Bars (G) to the bottom of the Base Plate (E).

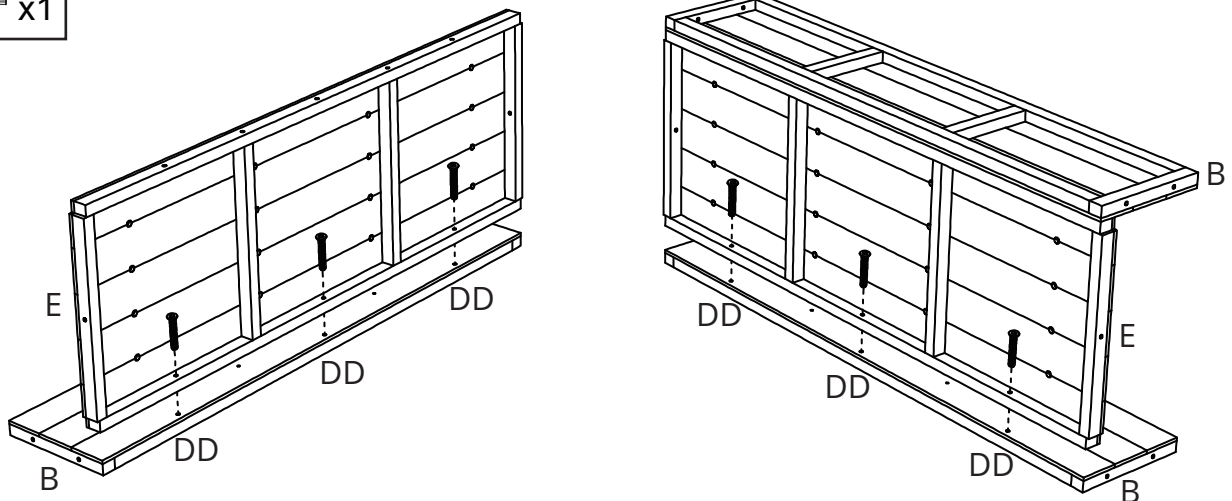
- BB  x4
- FF  x1



Step3

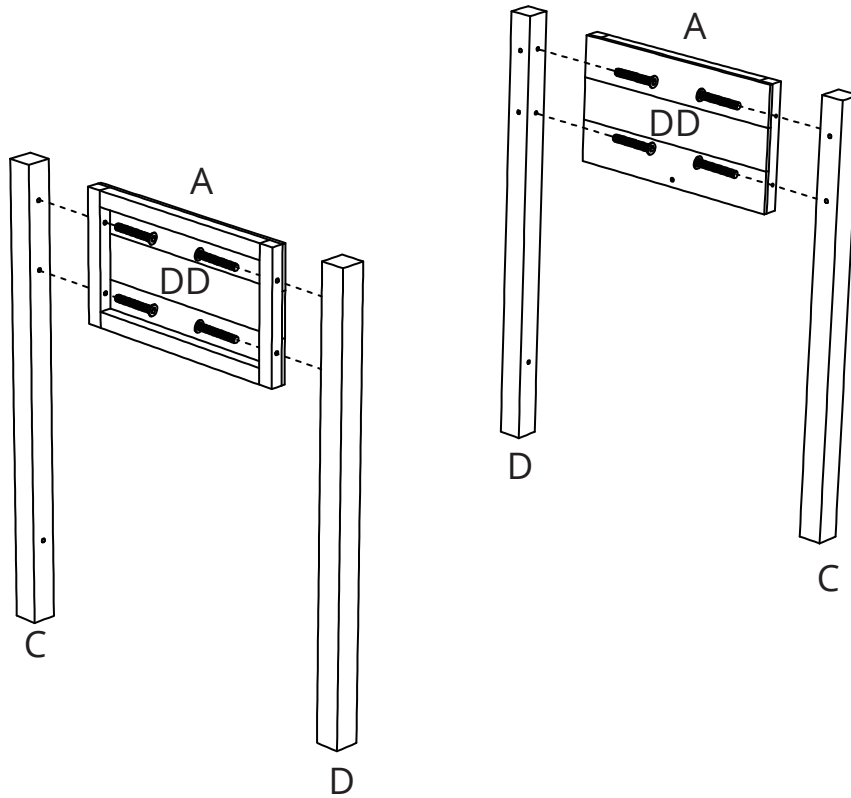
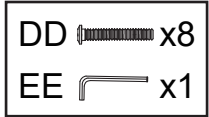
Fix the Base Plate (E) between the Front Plates (B).
(Notice: the Front Bar facing forward).

- DD  x6
- EE  x1



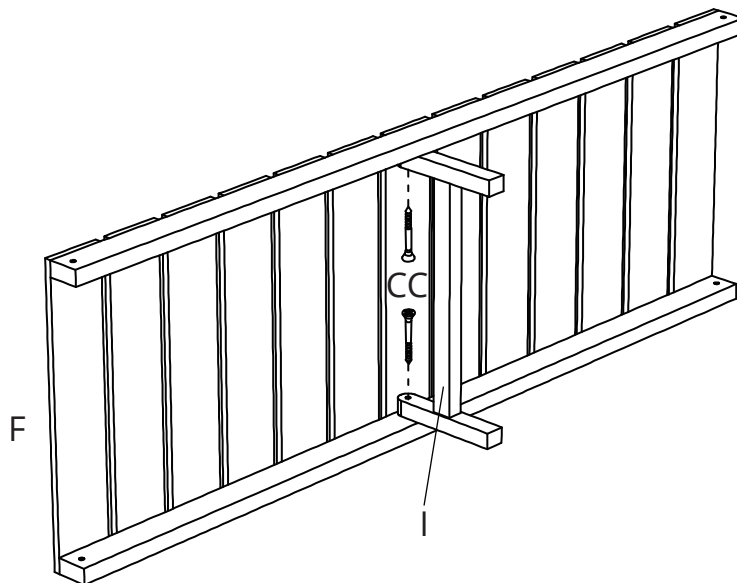
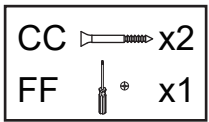
Step4

Fix the Side Plate (A) to the Legs (C/D).
(Notice: The legs of C and D are consistent diagonally, not on one side).





Step5

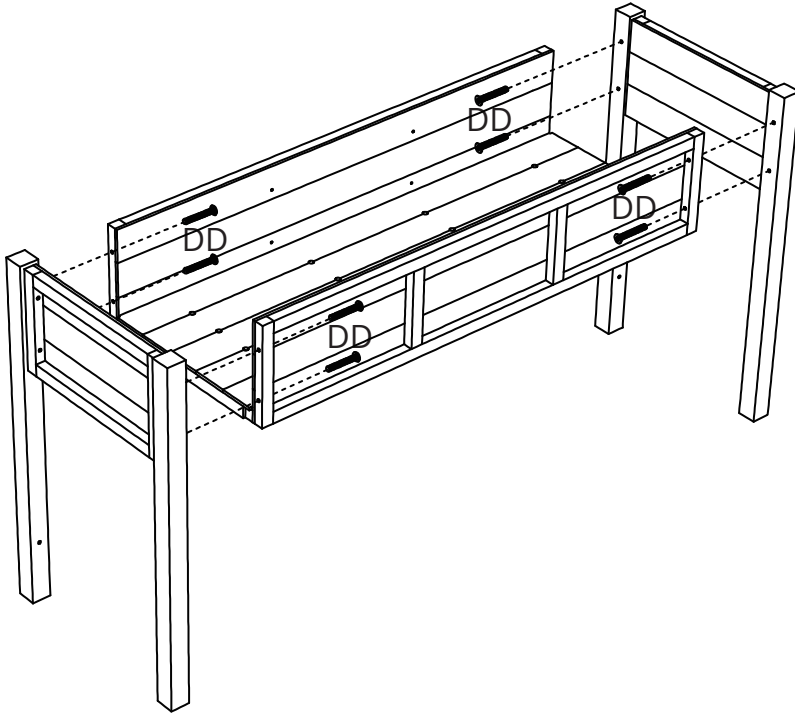
Fix the Support Frame (I) to the Bottom Shelf (F).





Step 6

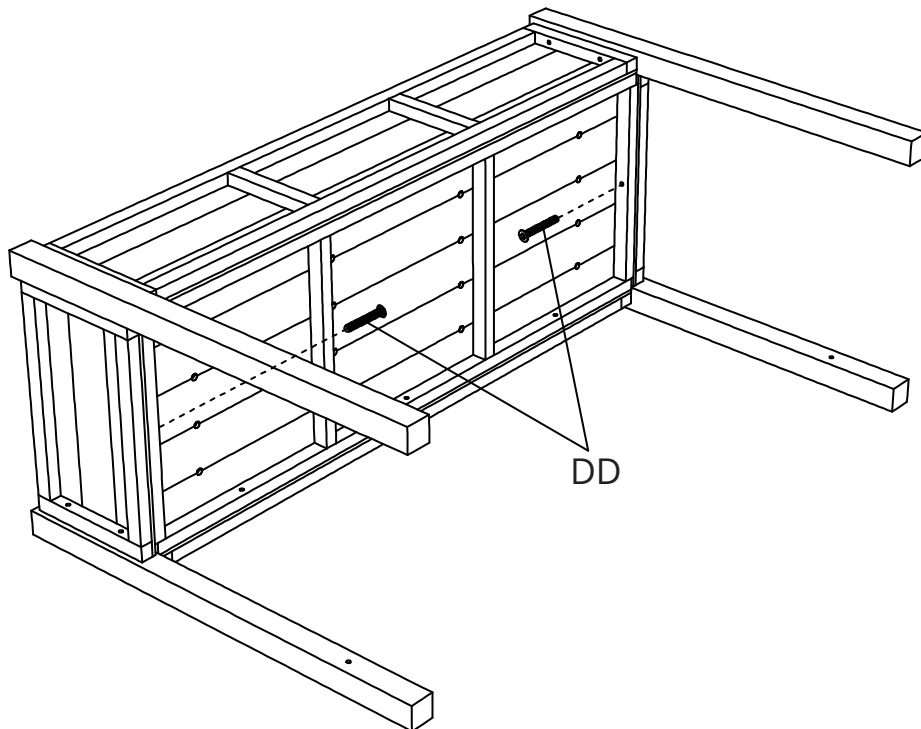
Fix the assembled cube to the leg frame.

DD  x8
EE  x1





Step 7

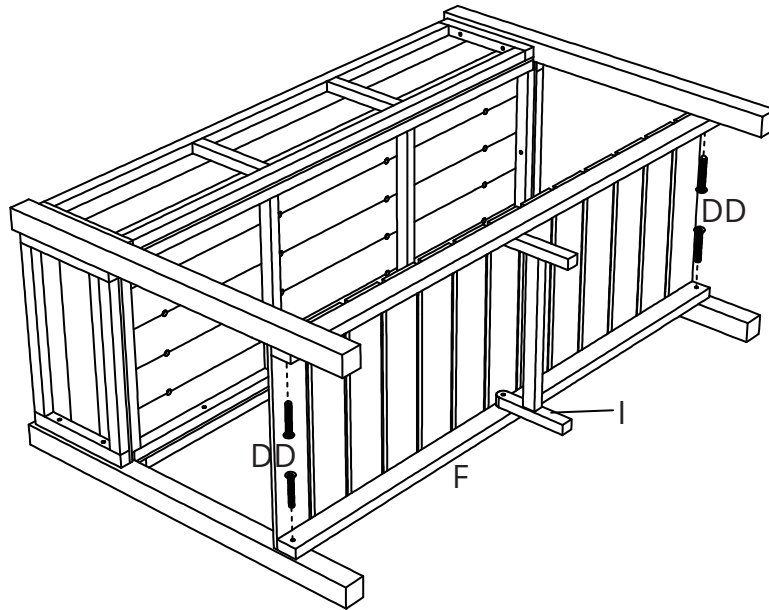
DD  x2
EE  x1



Step 8

Fix the assembled bottom shelf to the leg frame.

- DD  x4
- EE  x1



Finished

