

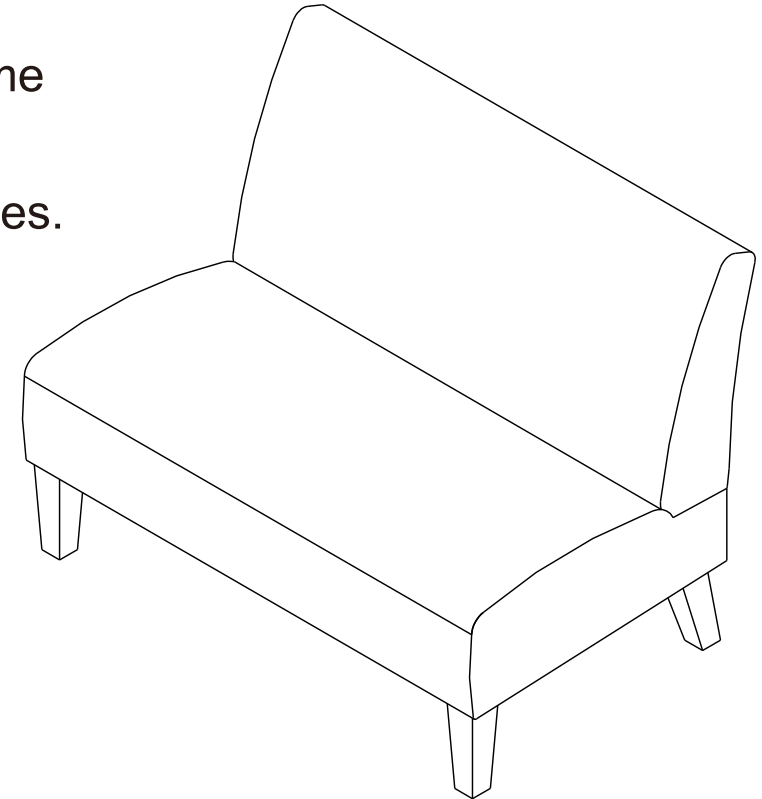
# Assembly Instructions

⚠ Before you throw the package, please ensure that you have all the parts needed for the assembly.

⚠ **Hardware Note:**  
1. Please **do not completely tighten** all the hardware, turn the bolts about **50%** by hand according to the AI step by step. Then adjust 4 legs when they are at same height, tighten all the bolts completely at last.  
2. All the bolts should be assembled **vertically** to the holes.

⚠ Back can be found in the **bottom** of seat.

⚠ **Spare parts** can be found in the hardware box if you do not have enough parts to assemble.



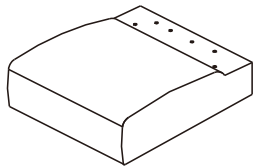
⚠ THIS INSTRUCTION BOOKLET CONTAINS IMPORTANT SAFETY INFORMATION. PLEASE READ AND KEEP FOR FUTURE REFERENCE.

# Assembly Instructions

## Parts and Hardware

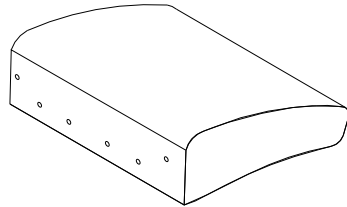
Please check to make sure all parts and hardware before starting assembly process.

①



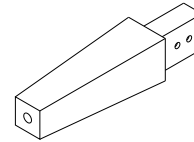
Seat 1pc

②



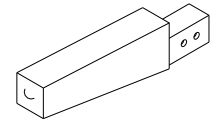
Back 1pc

③



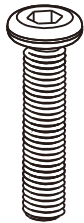
Front leg 2pcs

④



back leg 2pcs

Ⓐ



Long bolt 14pcs

Ⓑ



Spring washer 14pcs

Ⓒ



Flat washer 14pcs



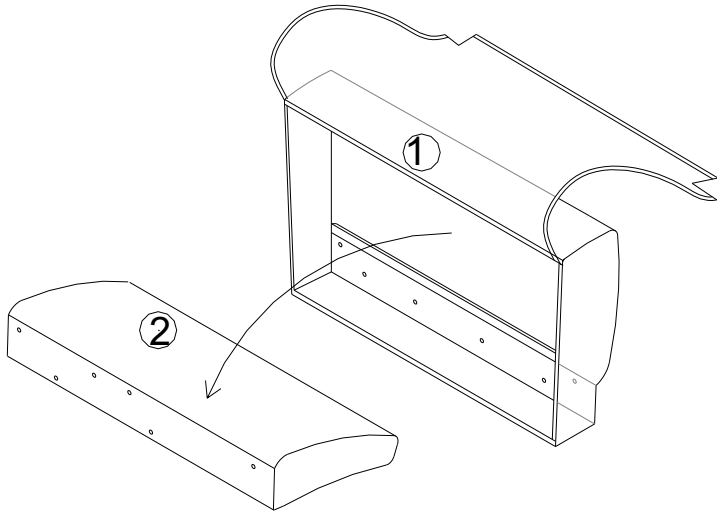
Wrench 1pc

# Assembly Instructions

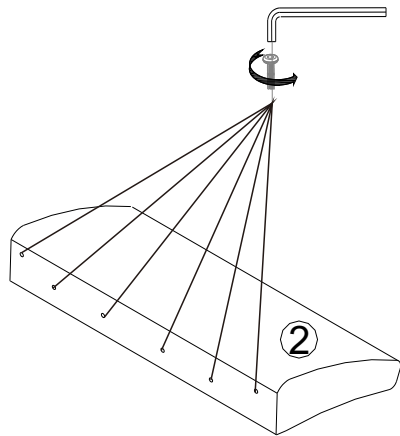
## Assembly Instruction

Please read and understand all assembly instructions before beginning assembly process.  
Do not tighten any single bolt until all bolts in holes on each step

Step 1 :Take the back out form the bottom of seat.  
Remove 6 bolts from the bottom of part ②

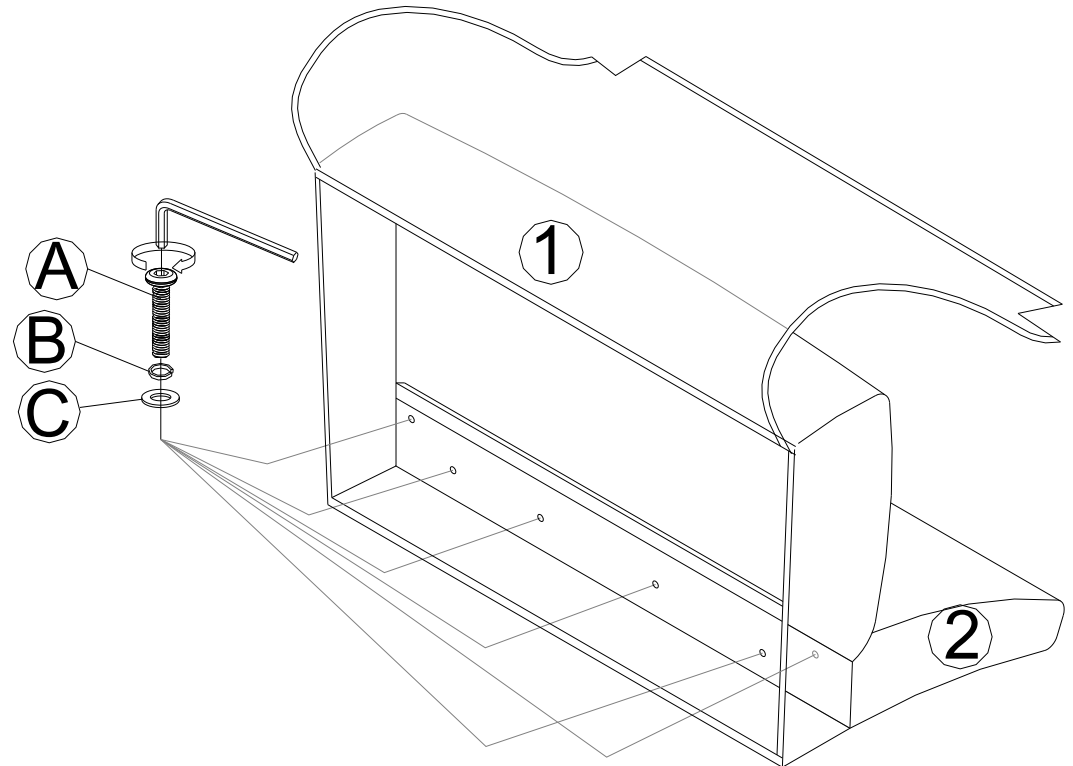


⚠ These bolts are used to protect the holes. You can throw them away or keep them for possible use on other furniture in the future



Step 2 :Put back on seat as below diagram show.

Assemble back to seat. Do not fully tighten any single bolts until all the bolts are align to the holes then fully tighten them by the short side of wrench.



# Assembly Instructions

## Assembly Instruction

Please read and understand all assembly instructions before beginning assembly process.  
Do not tighten any single bolt until all bolts in holes on each step

Step 3: Assemble legs to the bottom of seat.

Do not fully tighten any single bolts until all the bolts are align to the holes then fully tighten them by the short side of wrench.

