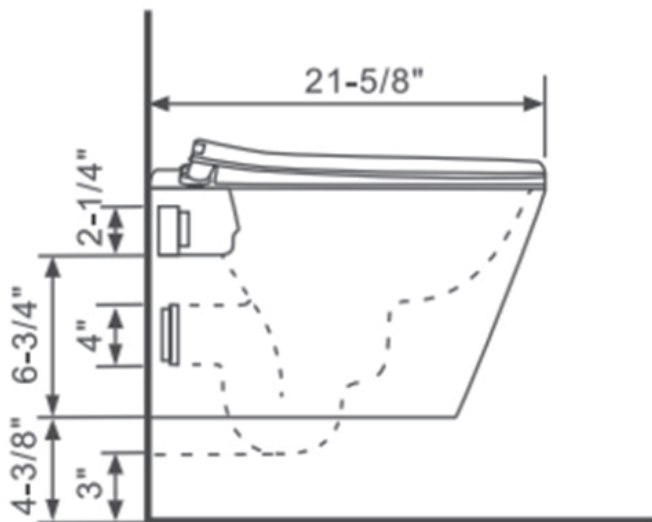
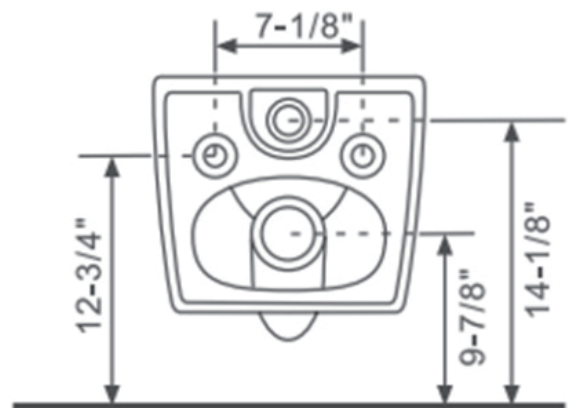
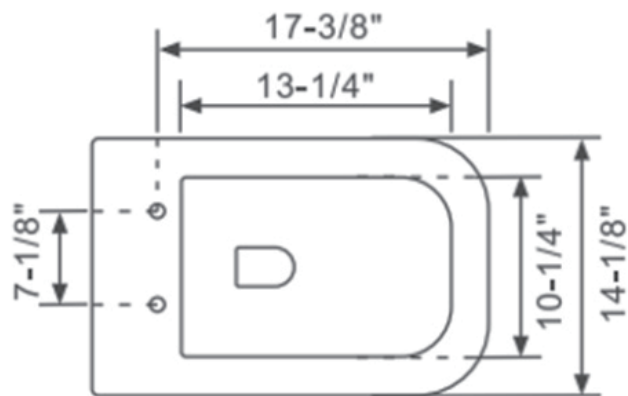


# Dimension/Specification



**Sku RX-T41W**