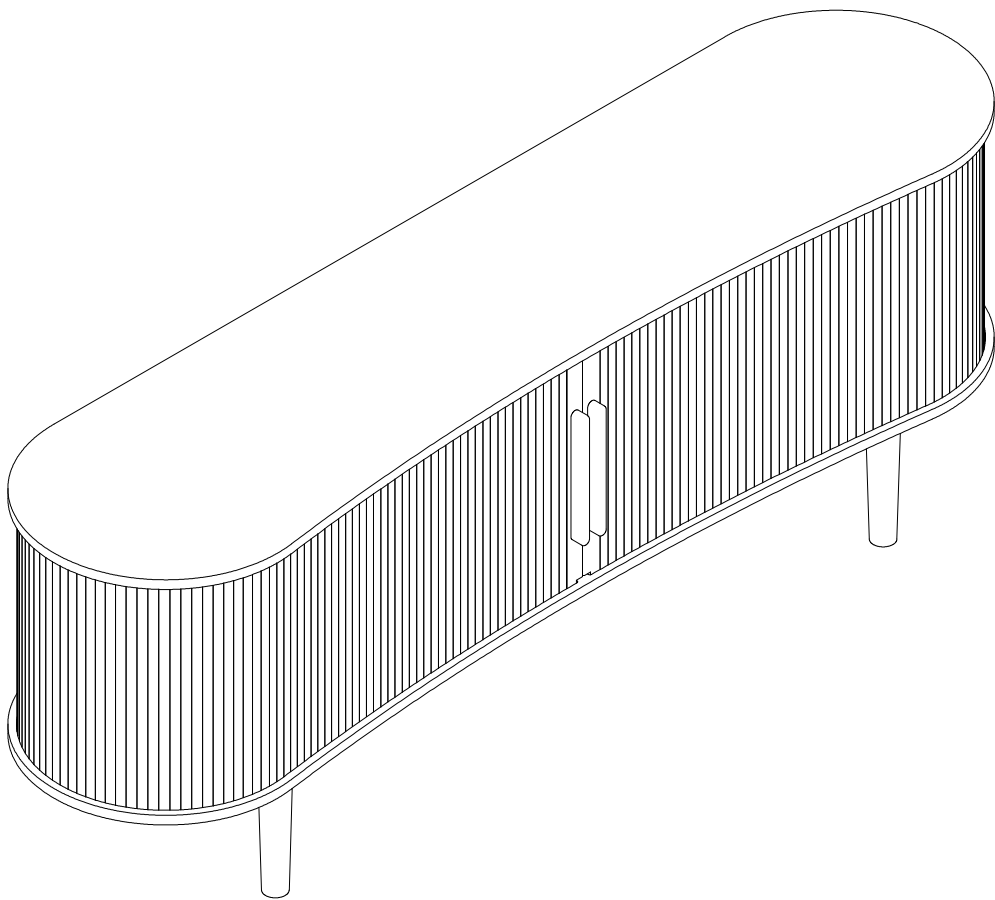


Assembly Instructions

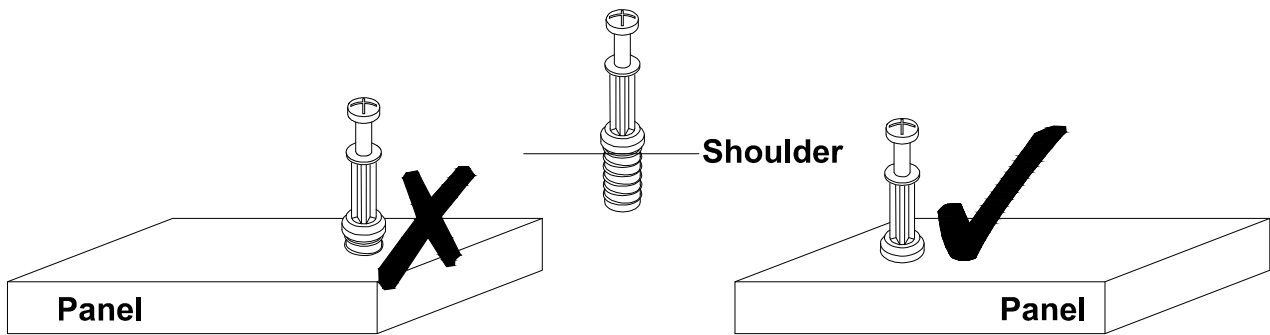


Before Assembly

Tips Before Your Start:

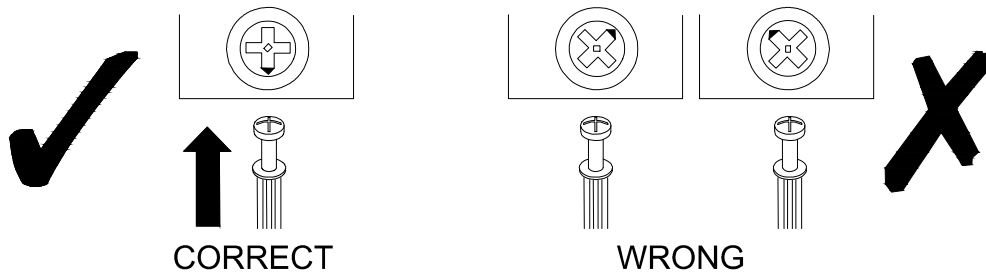
- Remove all wrapping material, including staples & packing straps before you start to assemble.
- DO NOT tighten all screws and bolts until the assembly is completely assembled.
- Keep all hardware parts out of reach of children.

QUICKFIT



Tighten quickfit until shoulder is flush with panel. Do not overtighten or undertighten.

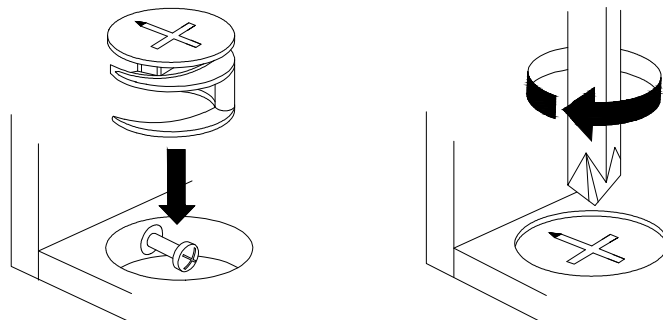
CAM LOCK



When fitting a cam lock, ensure the starting position is correct before inserting the connecting QUI CKFIT




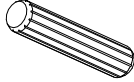


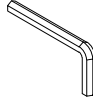


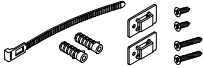
Quickfit head should be in the centre of the cam lock when the two panels are joined.

Cam lock should be inserted before quickfit.

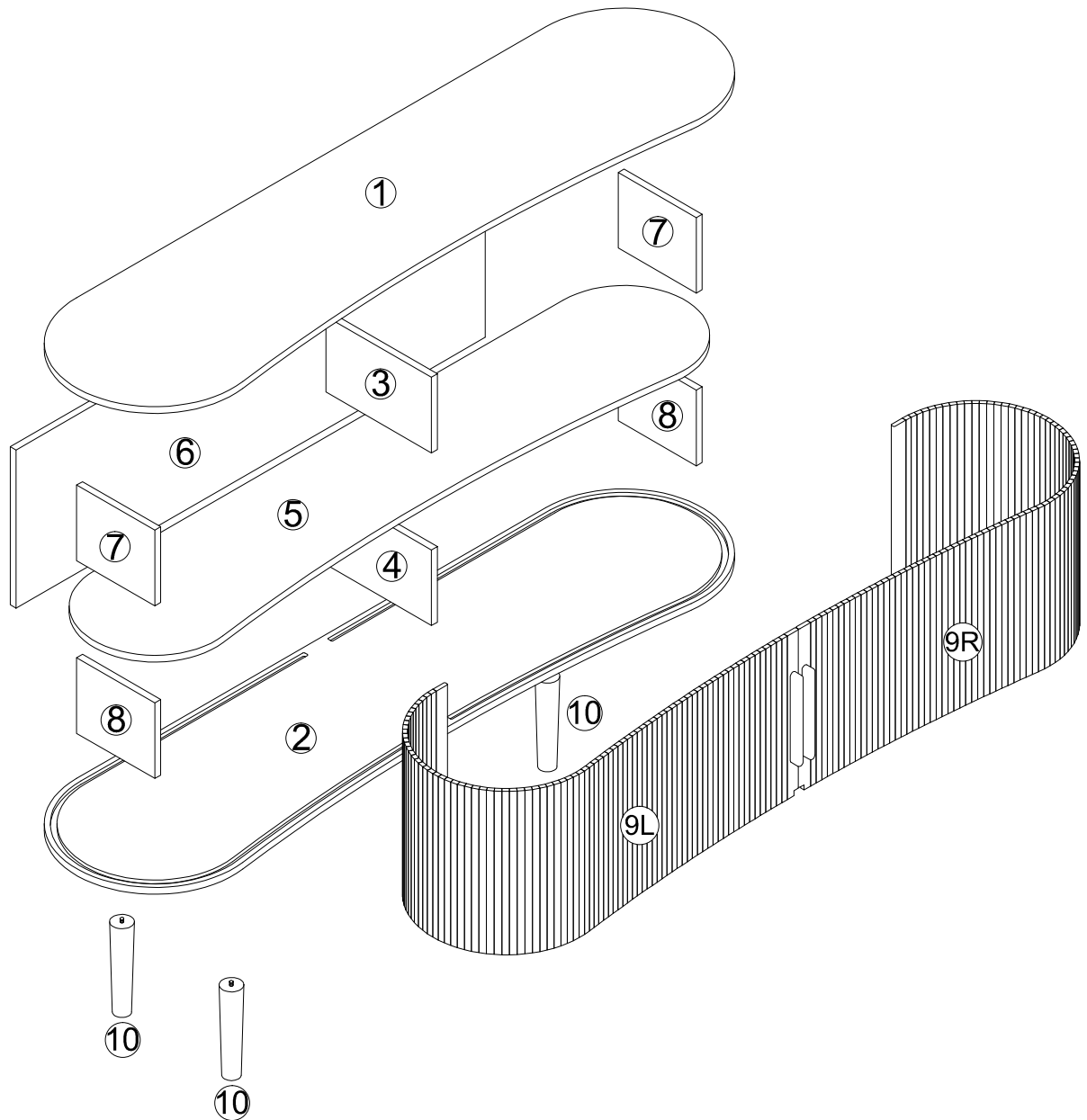


Turn cam lock clockwise to tighten.

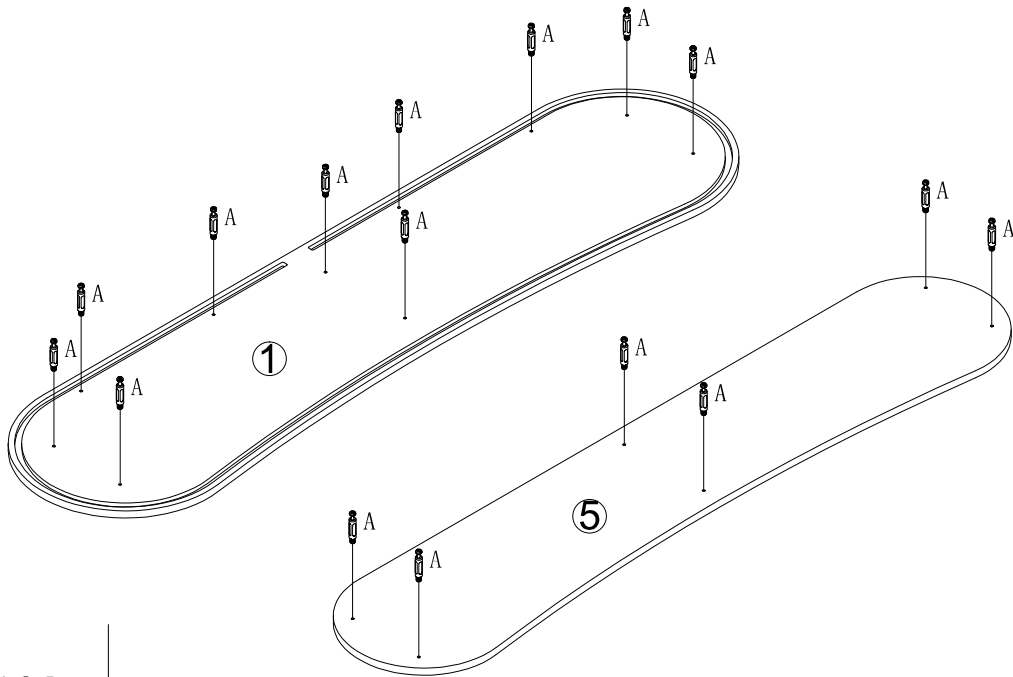
Part List

<p>No. A Quantity:22 Pcs Cam Lock Dowel 8*28mm</p> 	<p>No. B Quantity:22 Pcs Cam Ø15</p> 	<p>No. C Quantity:22 Pcs Sticker Ø20</p> 	<p>No. D Quantity:5 Pcs Dowel 8*30mm</p> 
<p>No. E Quantity:2 Pcs Handle 200*20mm</p> 	<p>No. F Quantity:16 Pcs Screw M6*40mm</p> 	<p>No. G Quantity:1 Pcs Allen Key 4#</p> 	<p>No. H Quantity:4 Pcs Screw M4*14mm</p> 
<p>No. I Quantity:4 Pcs Foot Pad Ø20</p> 	<p>No. J Quantity:1 Sets Anti-falling Parts</p> 		

Product structure



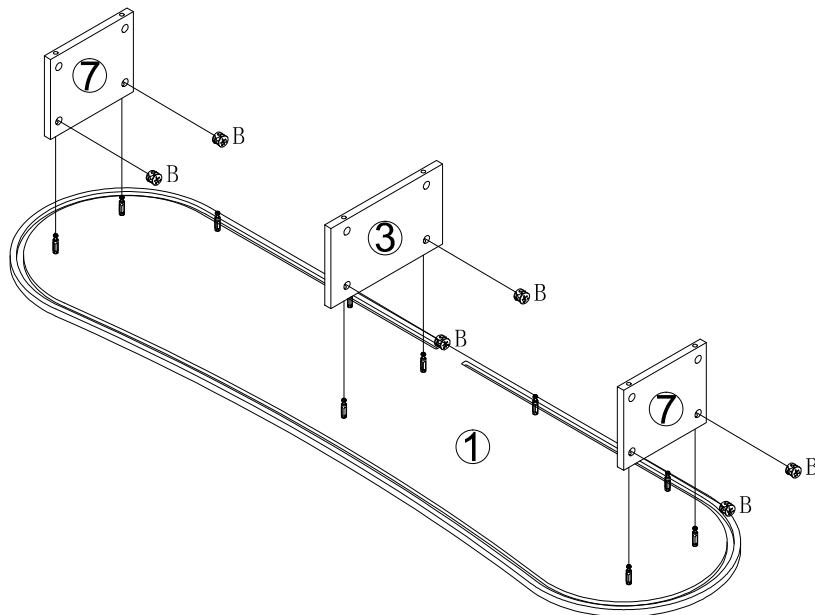
STEP 1



No. A
Quantity: 16 Pcs
8*28mm



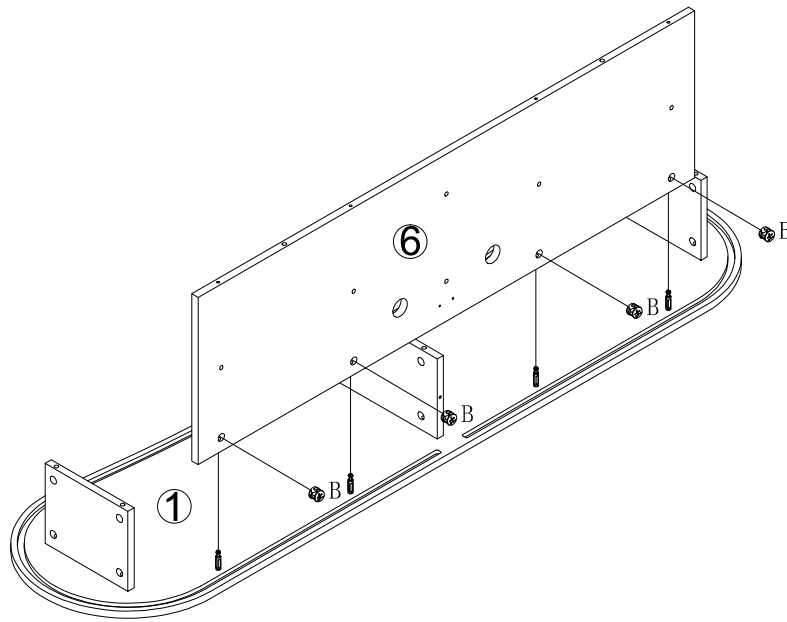
STEP 2



No. B
Quantity: 6 Pcs
Ø15



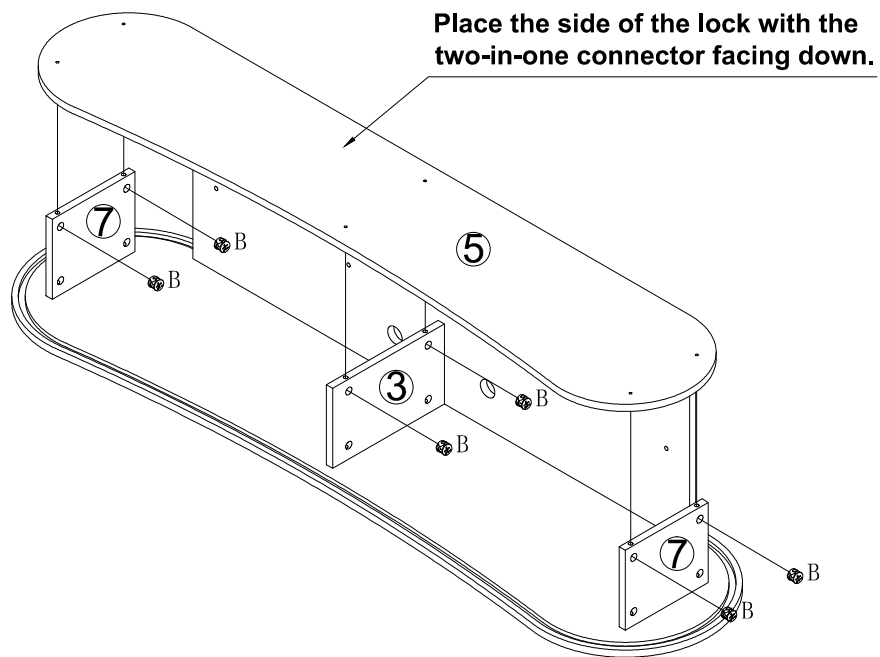
STEP 3



No. B
Quantity: 4 Pcs
Ø15



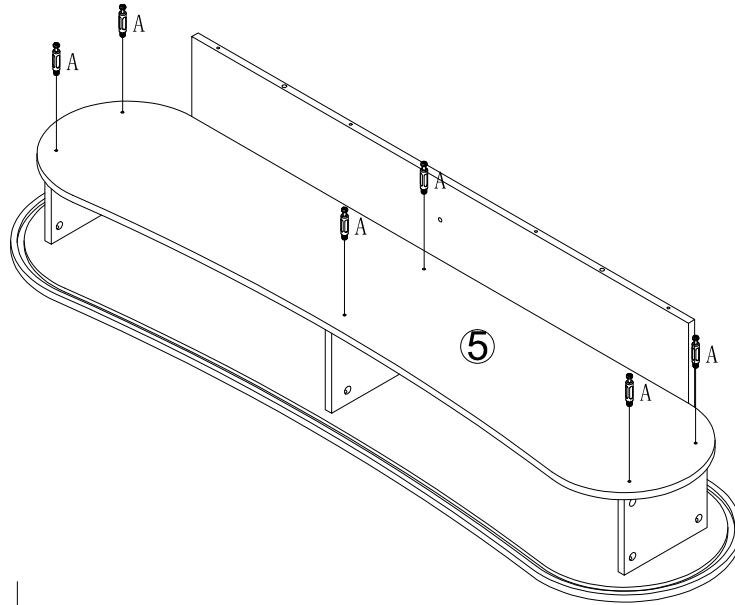
STEP 4



No. B
Quantity: 6 Pcs
Ø15



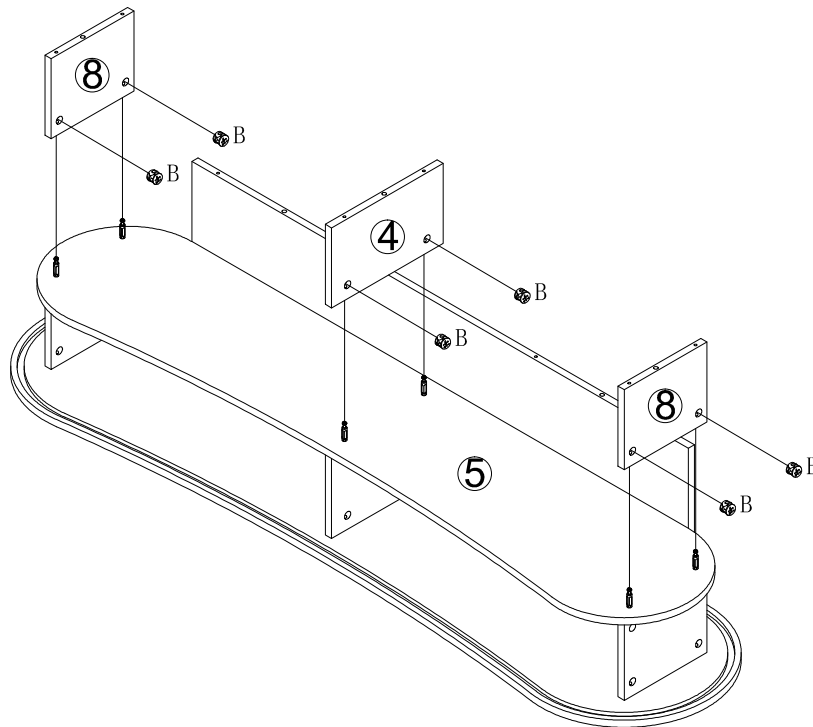
STEP 5



No. A
Quantity: 6 Pcs
8*28mm



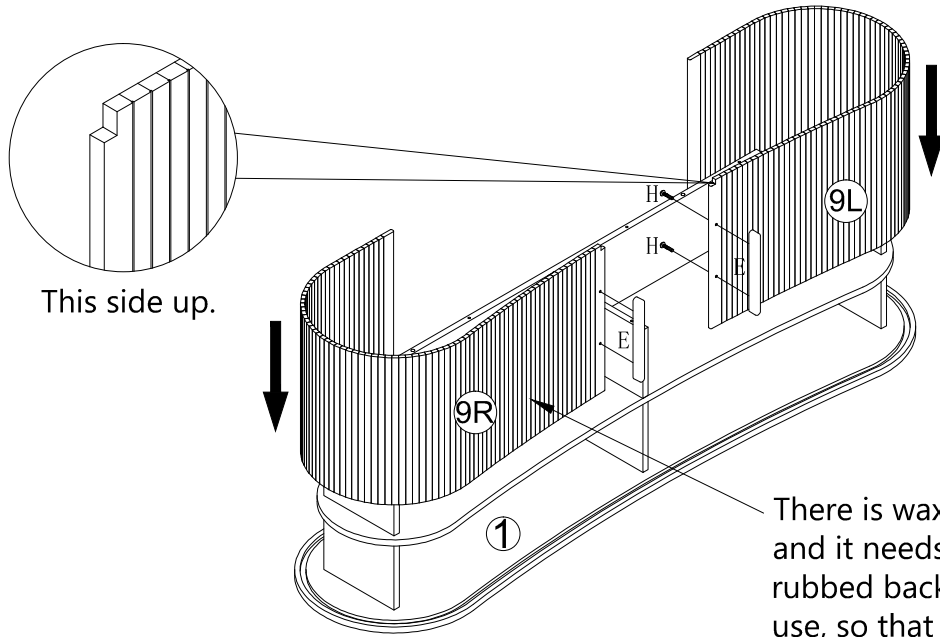
STEP 6



No. B
Quantity: 6 Pcs
Ø15



STEP 7



There is wax on the sliding door, and it needs to be pushed and rubbed back and forth before use, so that the wax is evenly attached to the board.

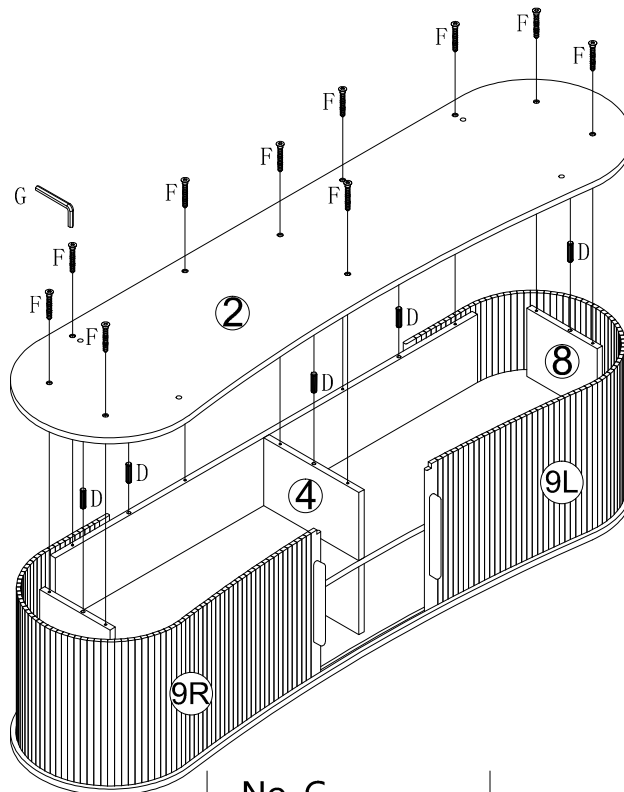
No. E
Quantity: 2 Pcs
200*20mm



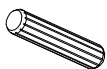
No. H
Quantity: 4 Pcs
M4*14mm



STEP 8



No. D
Quantity: 5 Pcs
8*30mm



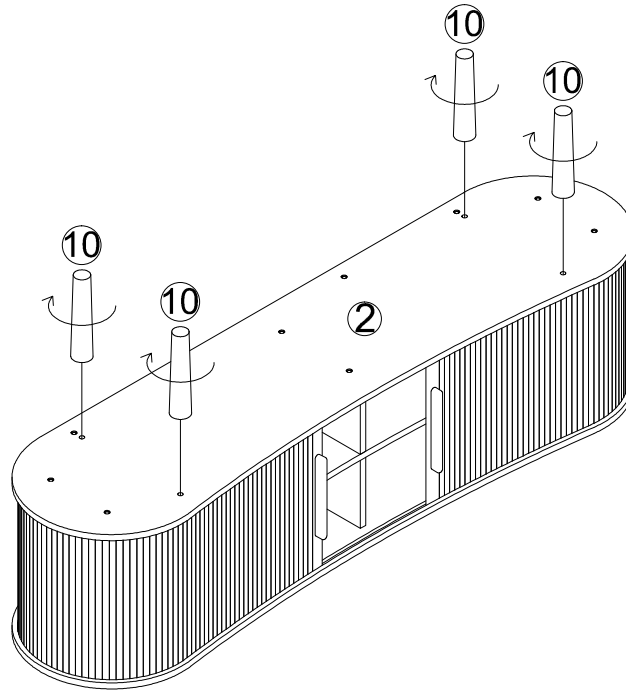
No. F
Quantity: 10 Pcs
M6*40mm



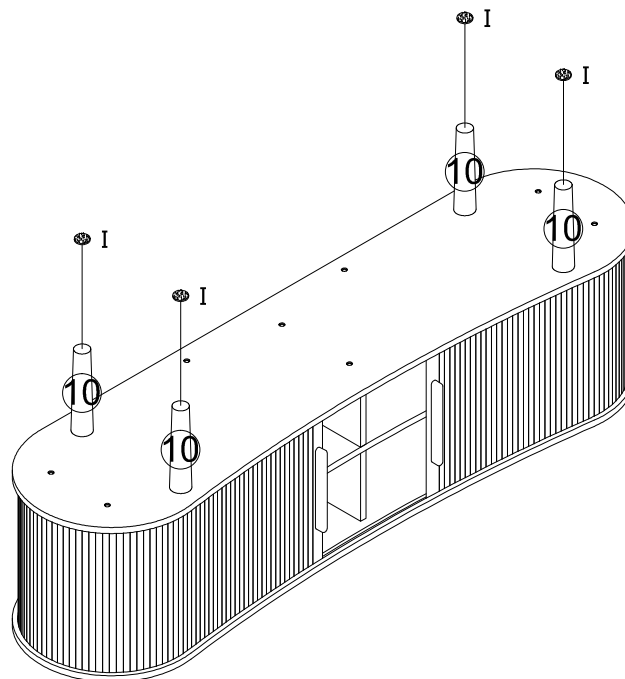
No. G
Quantity: 1 Pcs
4#



STEP 9



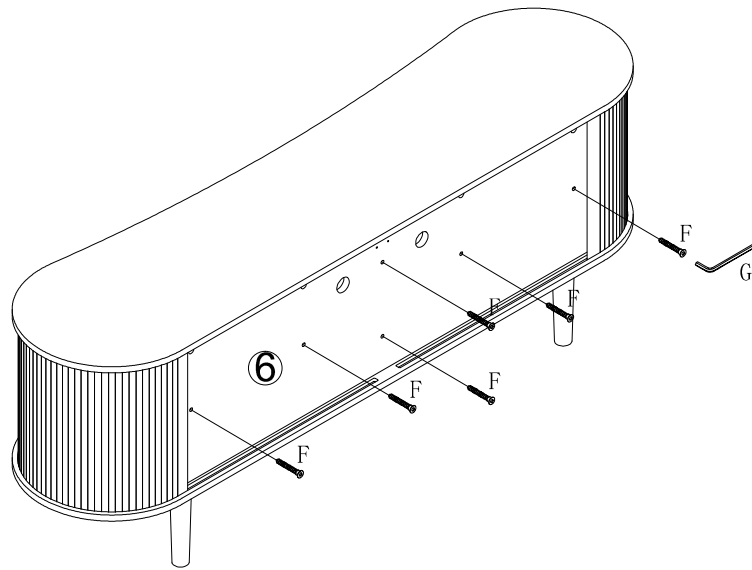
STEP 10



No. I
Quantity: 4 Pcs
Ø20



STEP 11



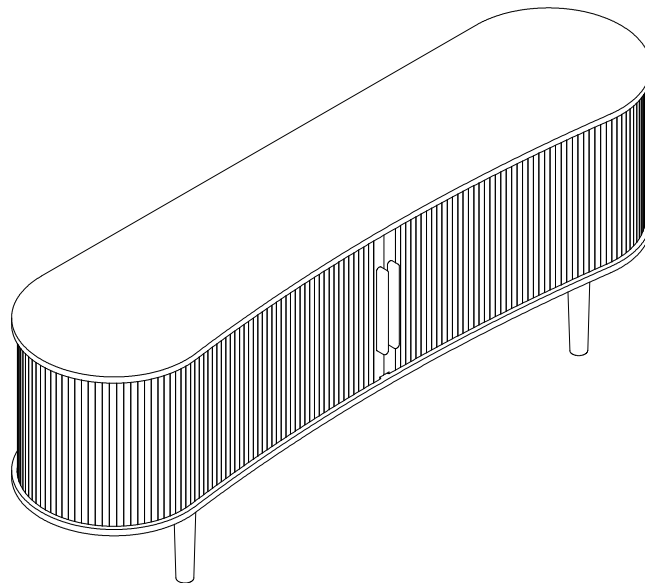
No. F
Quantity: 6 Pcs
M6*40mm



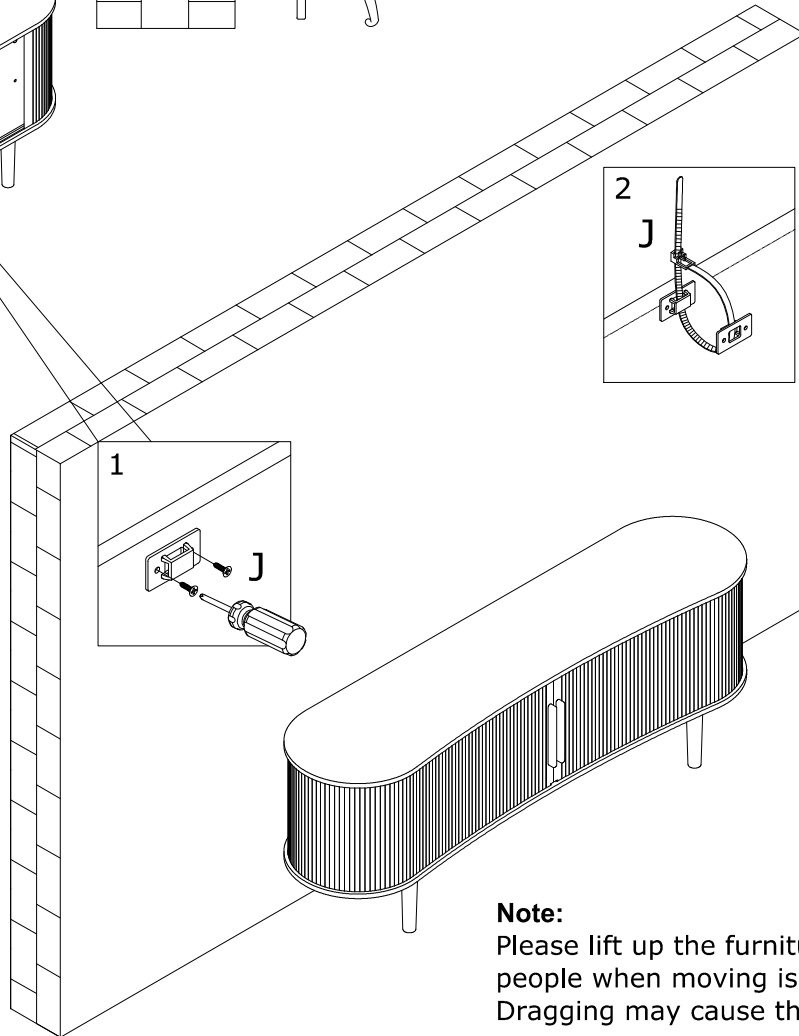
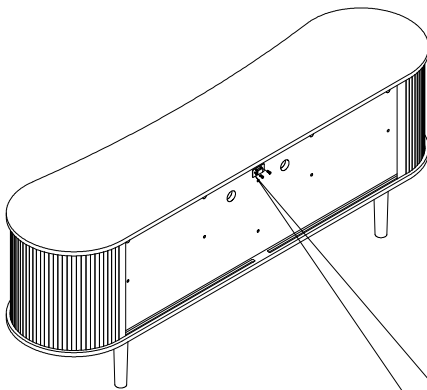
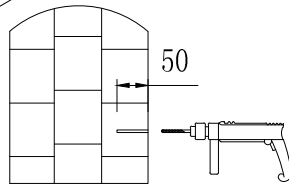
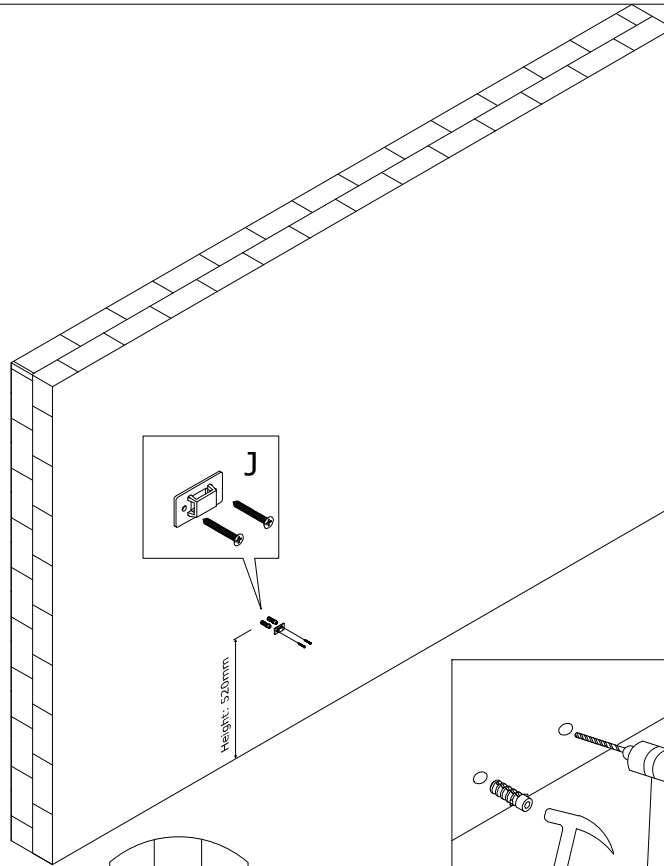
No. G
Quantity: 1 Pcs
4#



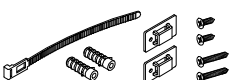
STEP 12



STEP 13



No. J
Quantity: 1 Set



Note:
Please lift up the furniture by two people when moving is needed.
Dragging may cause the legs failure.