

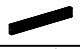



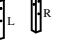











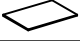



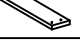

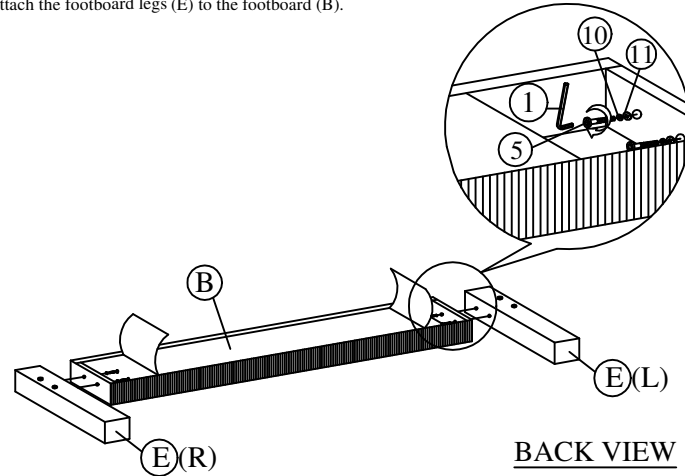


Model : TM 7104PK-T  
TM 7104GY-T

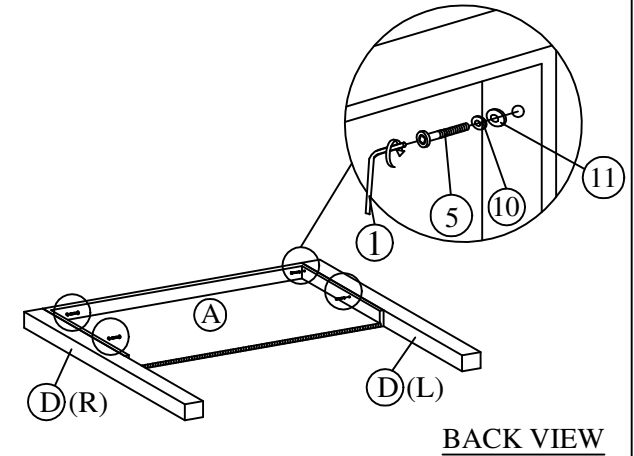
# Assembly Instruction

PART LIST		HARDWARE			
A	 Headboard	1pc	1	 Allen Key 65mm	1pc
B	 Footboard	1pc	2	 Allen Key 70mm	1pc
C	 Side Rail	4pcs	3	 JCBB M8 x 20	8pcs
D	 Headboard Legs	2pcs	4	 JCBC M6 x 30	8pcs
E	 Footboard Legs	2pcs	5	 JCBC M6 x 50	8pcs
F	 Side Rail Legs	2pcs	6	 CSK Screw 16mm	16pcs
G	 12 Slat	2pcs	7	 Roller	4pcs
H	 Footboard Front Panel	1pc	8	 CSK Screw 32mm	34pcs
I	 Footboard Back Panel	1pc	9	 CSK Screw 50mm	8pcs
J	 Footboard Bottom Panel	1pc	10	 Spring Washers	8pcs
K	 Drawer Side Panel	2pcs	11	 Flat Washers	16pcs
L	 Bottom Panel Big Support Wood	2pcs			
M	 Bottom Panel Small Support Wood	1pcs			

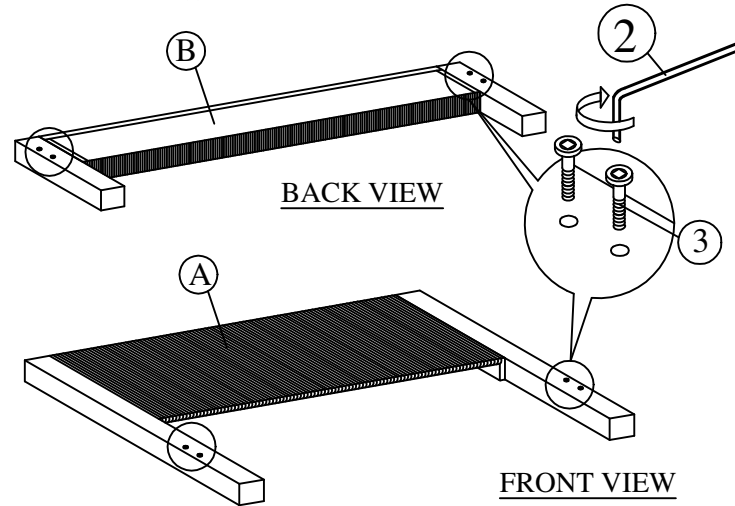
Step 1 : Attach the footboard legs (E) to the footboard (B).



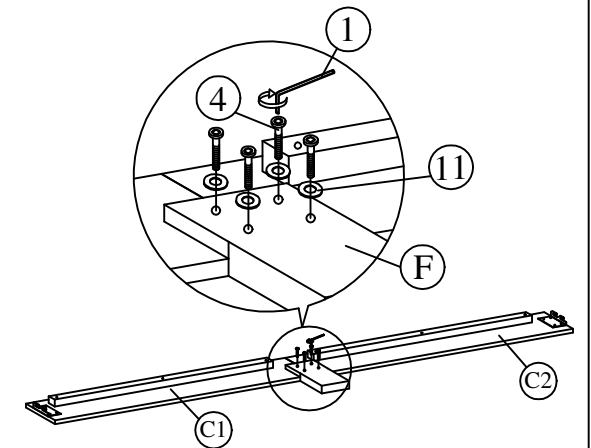
Step 2 : Attach the headboard legs (D) to the headboard (A).



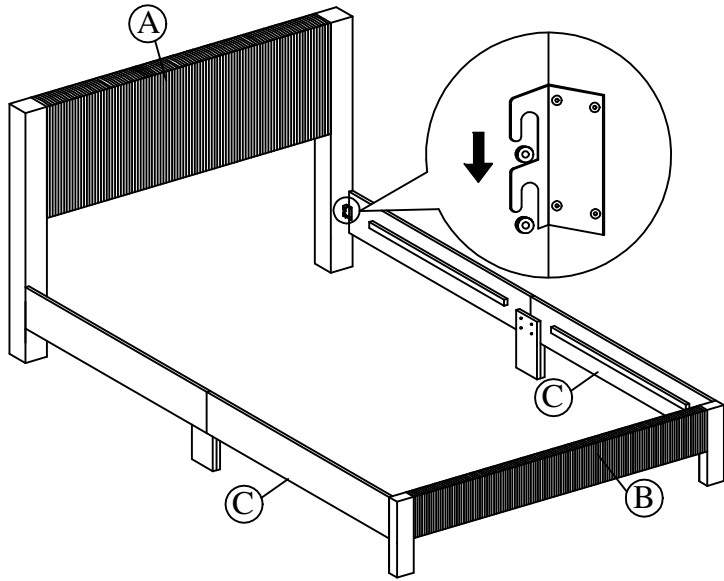
Step 3 : Attach the JCBB Bolt (3) to the headboard bracket and footboard bracket



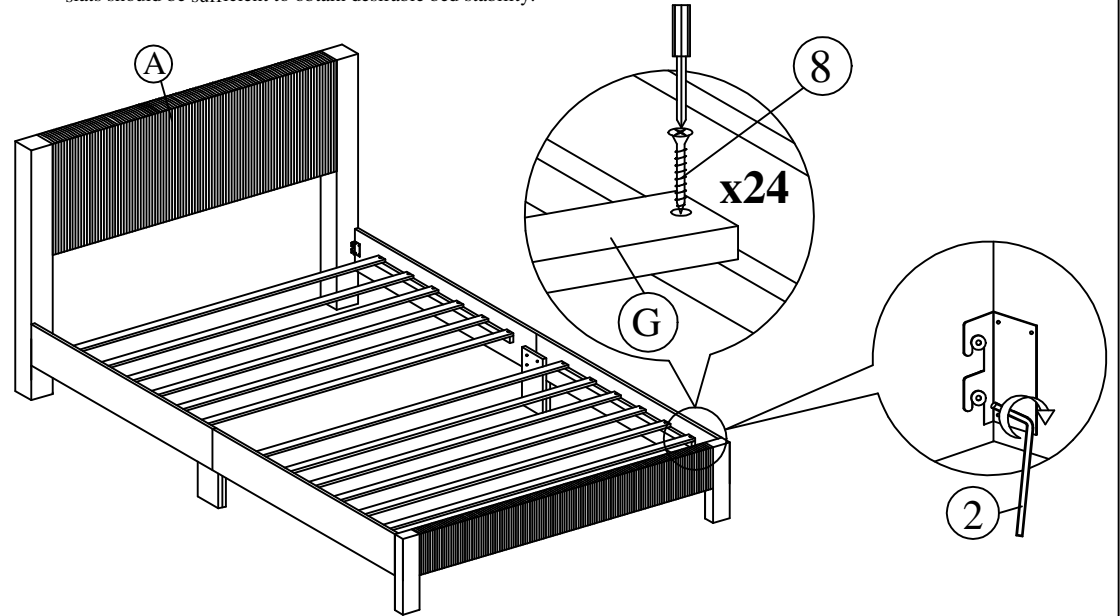
Step 4 : Attach the side rail leg (F) to the side rail (C).



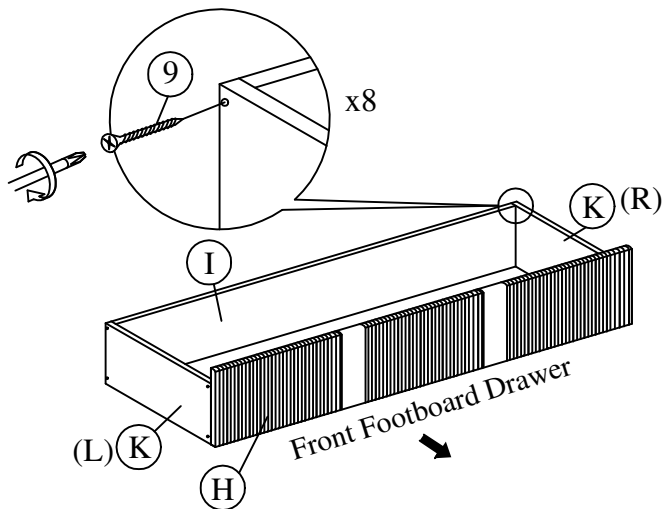
Step 5 : Attach side rail (C) to headboard (A) and footboard (B) by pushing the bracket down to fit it.



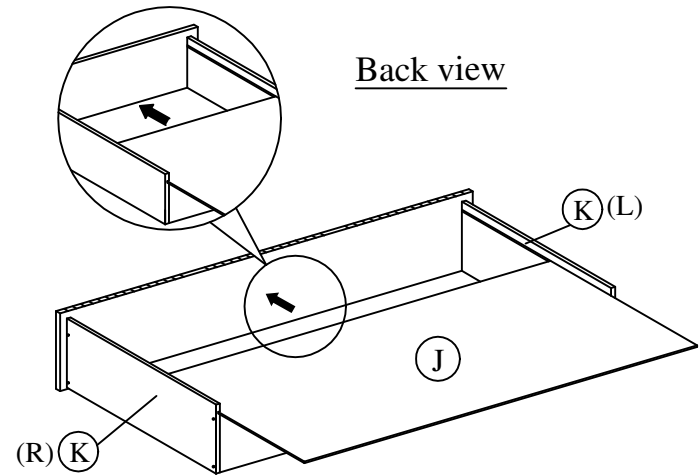
Step 6 : Tighten the 4 Corner with Allen Key (2). Install the bed slats to side rail. Tighten the slats with CSK screw. The distance of the slats should be sufficient to obtain desirable bed stability.



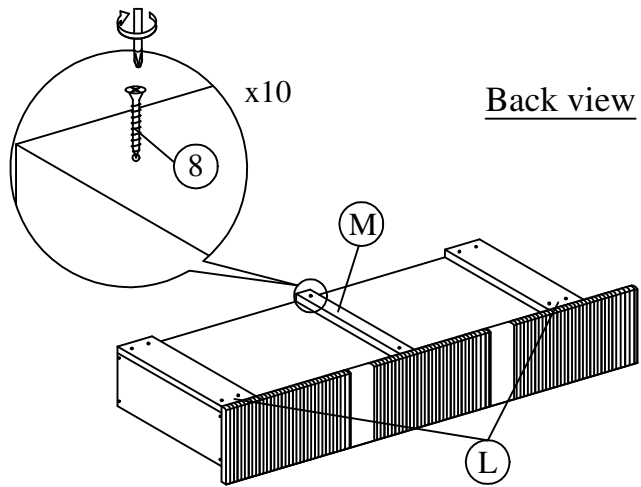
Step 7 : Attach the Drawer Side Panel (K) to the Front Footboard Panel (H) and Back Footboard Panel (I).



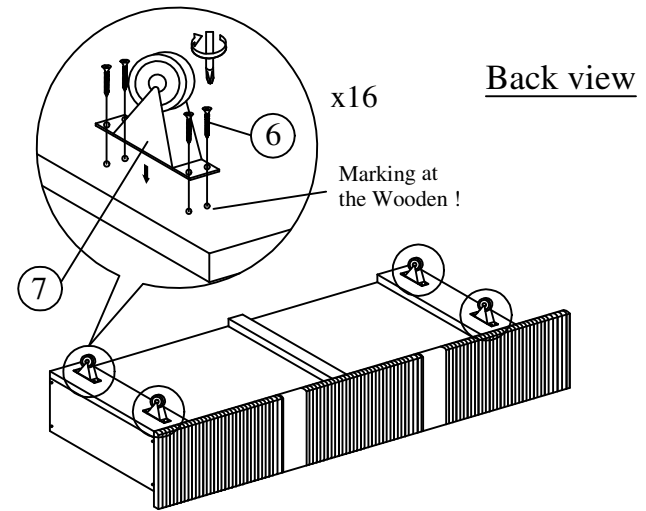
Step 8 : Attach the Footboard Bottom Panel (J) to the Drawer Side Panel (K).



Step 9 : Attach the Bottom Panel Big Support Wood (L) and Bottom Panel Small Support Wood (M) to the Footboard Bottom Panel (J) .



Step 10 : Attach the Roller (7) to the Bottom Panel Big Support Wood (L).



Step 11 : Attach Drawer to Footboard (B).

