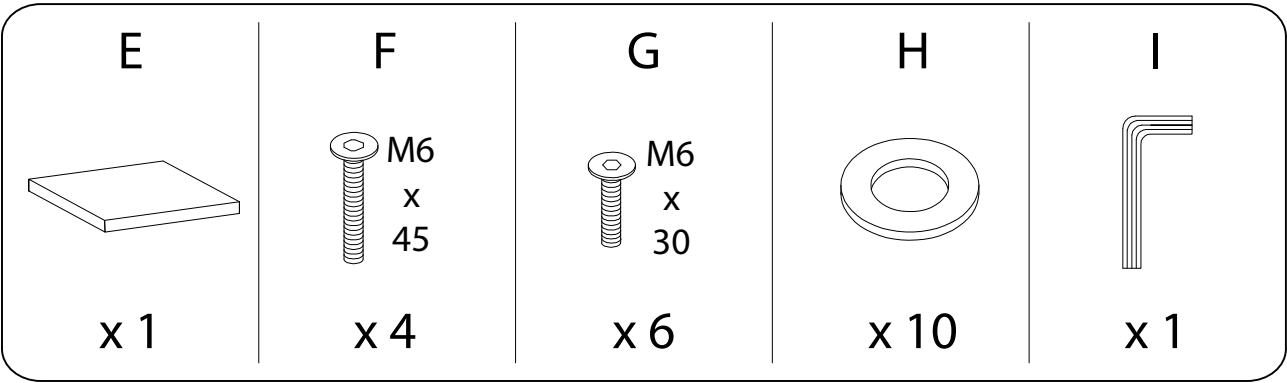
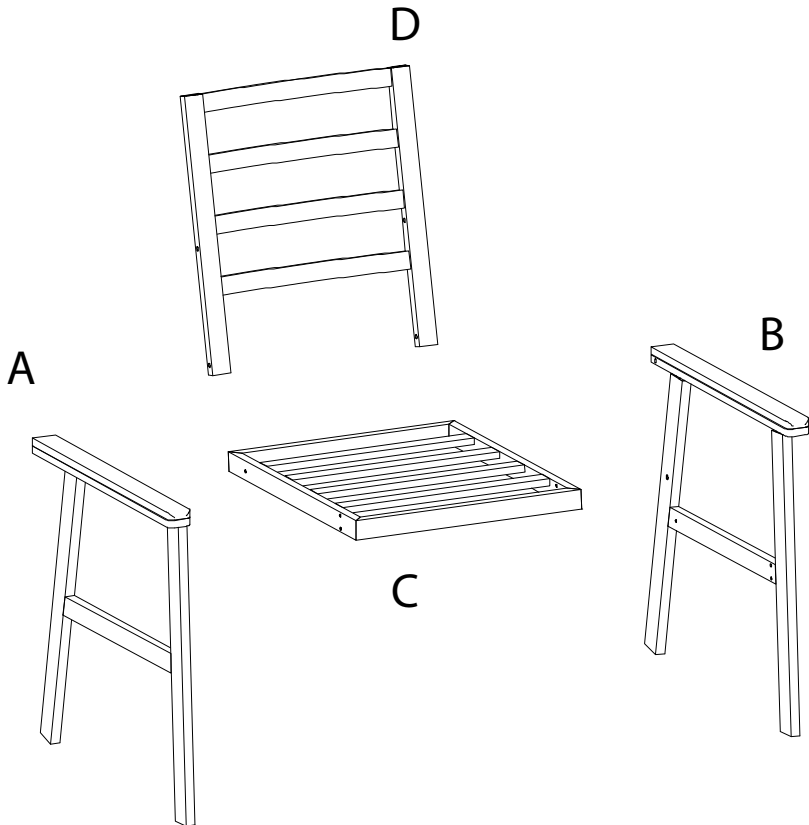
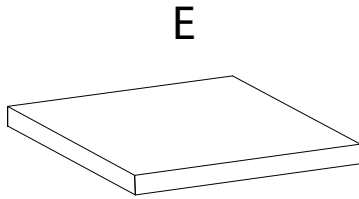
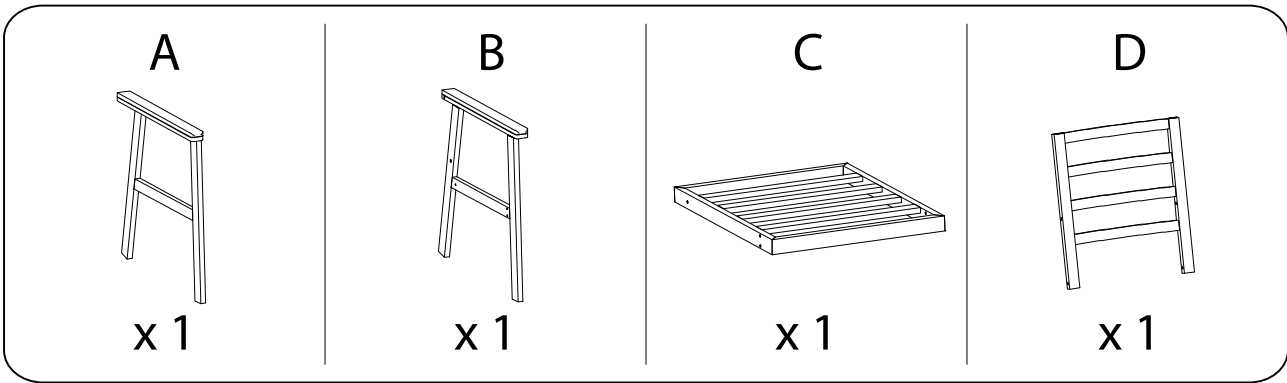
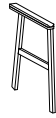


An icon showing an L-shaped metal bracket inside a circle. To its right is a power drill with a diagonal line through it, indicating it should not be used.	A warning triangle containing an exclamation mark.	A clock face icon.
<p>15'</p>		
An icon showing a rectangular block on a mat with a diagonal line through it. To its right is a block with a nail being driven into it, also with a diagonal line through it, indicating it should not be done.	A warning triangle containing an exclamation mark.	A simple icon of a person.
<p>2</p>		



1

A



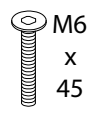
x 1

D



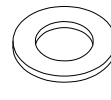
x 1

F



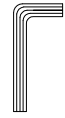
x 2

H

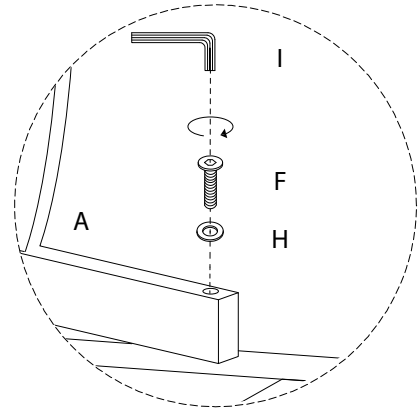
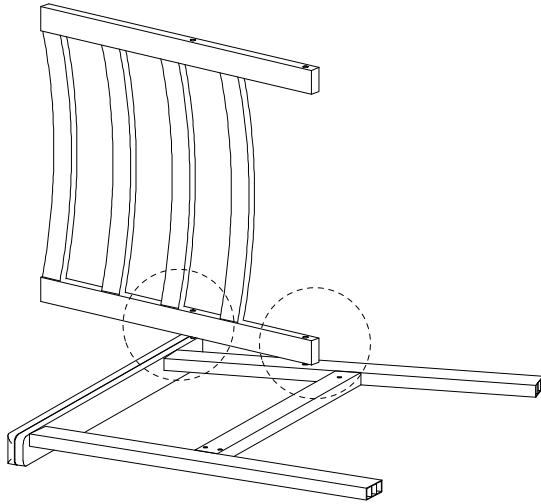


x 2

I



x 1



2

C



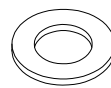
x 1

G



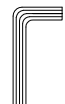
x 3

H

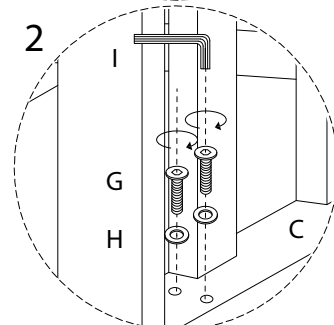
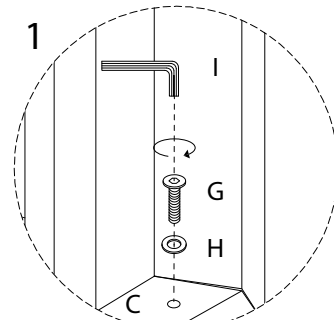
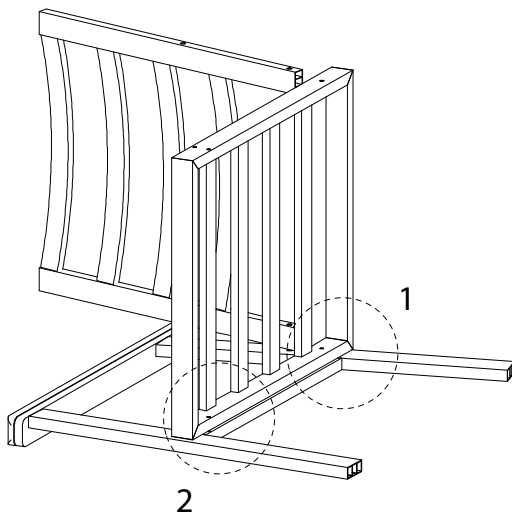


x 3

I

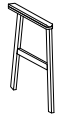


x 1



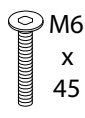
3

B



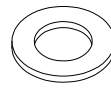
x 1

F



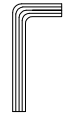
x 2

H

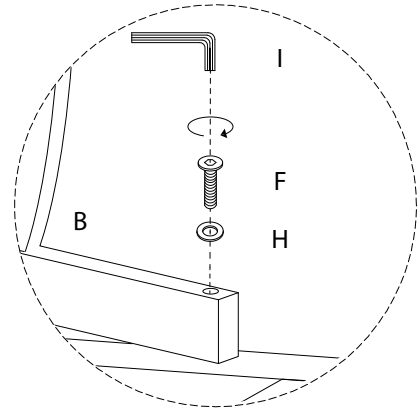
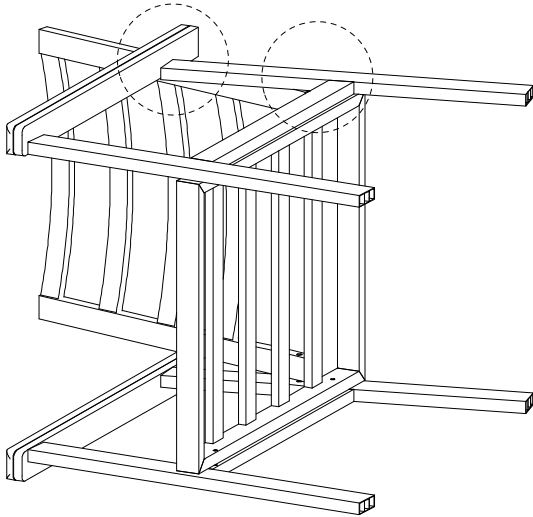


x 2

I



x 1



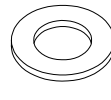
4

G



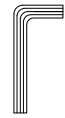
x 3

H

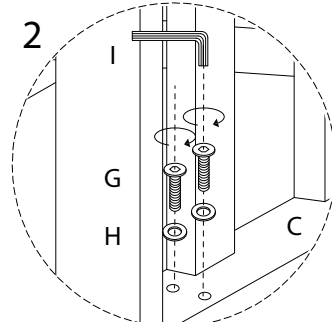
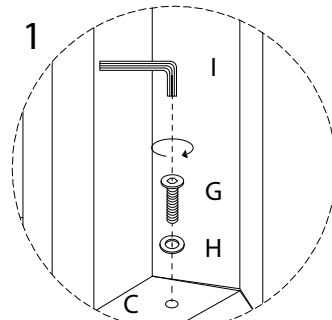
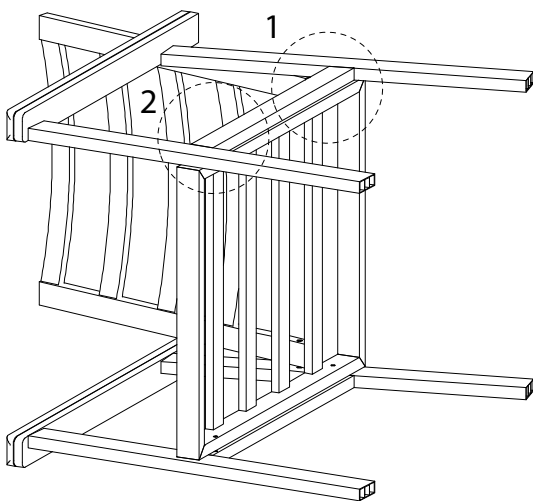


x 3

I

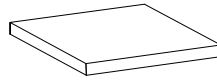


x 1



5

E



x 1

