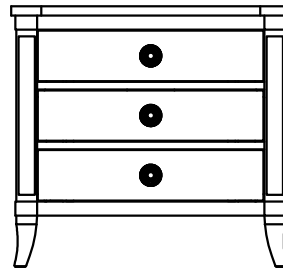


ASSEMBLY INSTRUCTIONS

TOOLS REQUIRED:

None

483-420



BEFORE YOU START:

1. Check the parts against the parts list to make sure all items are present.
2. Assemble your furniture on a soft, flat surface to avoid scratching the finish.
3. **CAUTION:** Do not over tighten screws, nuts or bolts during assembly.
4. Your furniture may require occasional tightening.

INSTRUCTIONS:

1. Plug in the power. As shown in Figure 1.
2. To level the nightstand, please adjust the levelers accordingly. As shown in Figure 2.

Figure 1

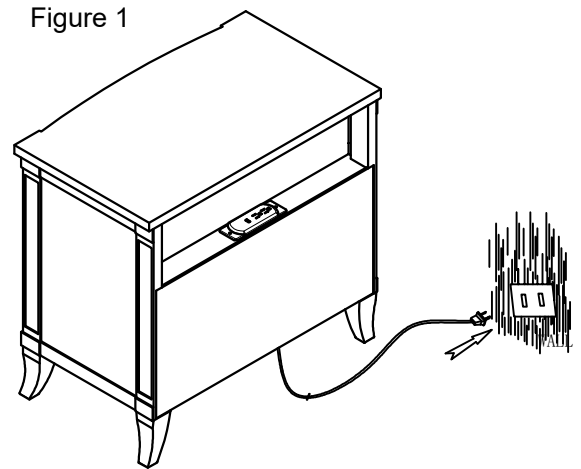


Figure 2

****Warning****

Locate furniture case close to its final location before installing feet/ legs. After installation of feet/ legs use two people to lift the case to its upright position with the provided hand hold cut-outs in the back of the case.

NOTE: USE CAUTION WHEN MOVING FURNITURE ON UNEVEN FLOORS!

