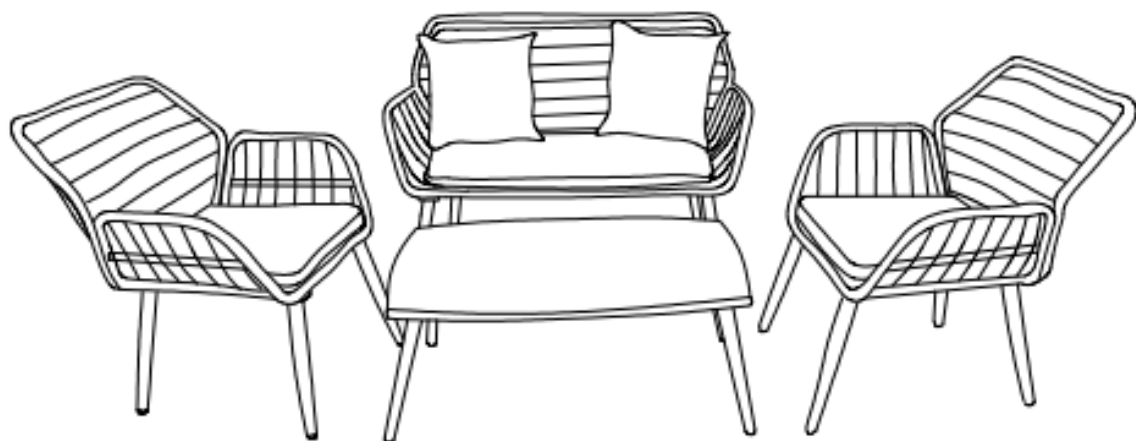
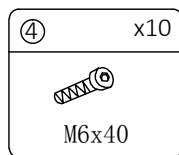
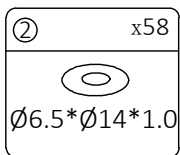
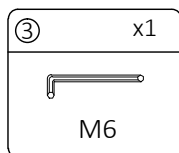
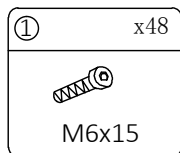
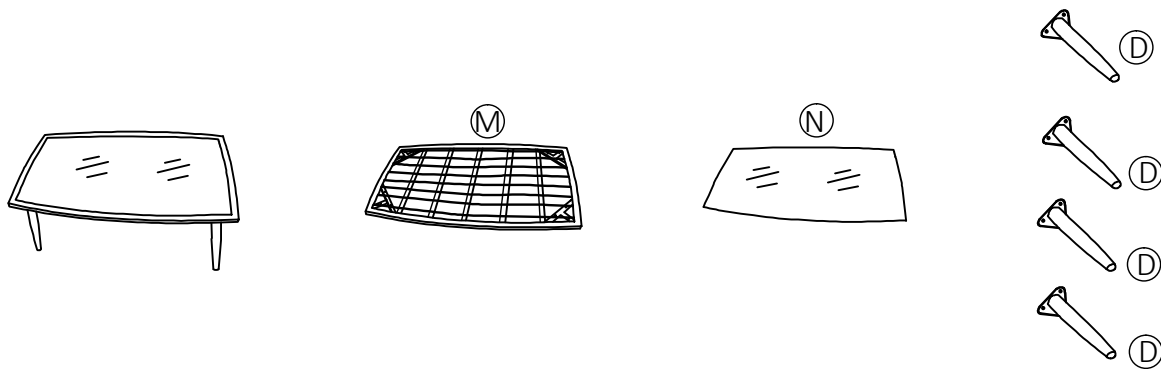
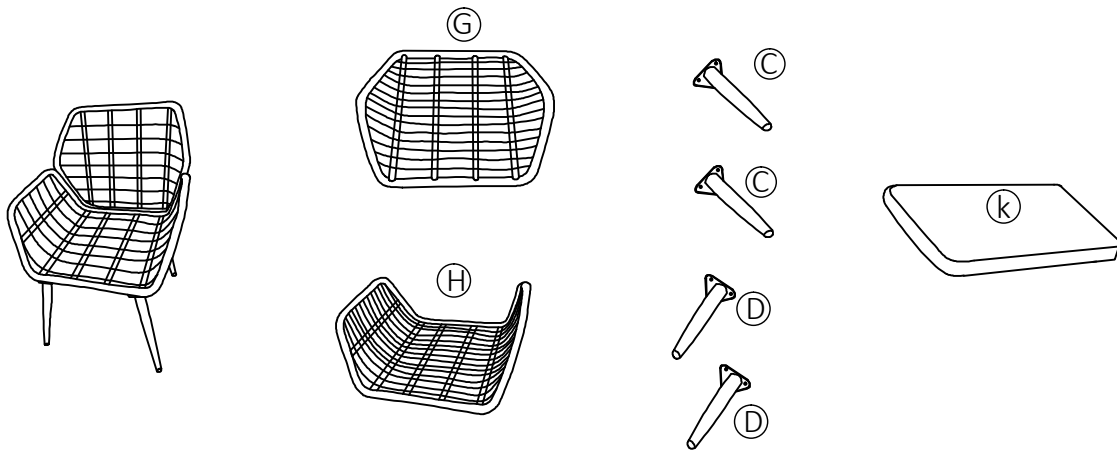
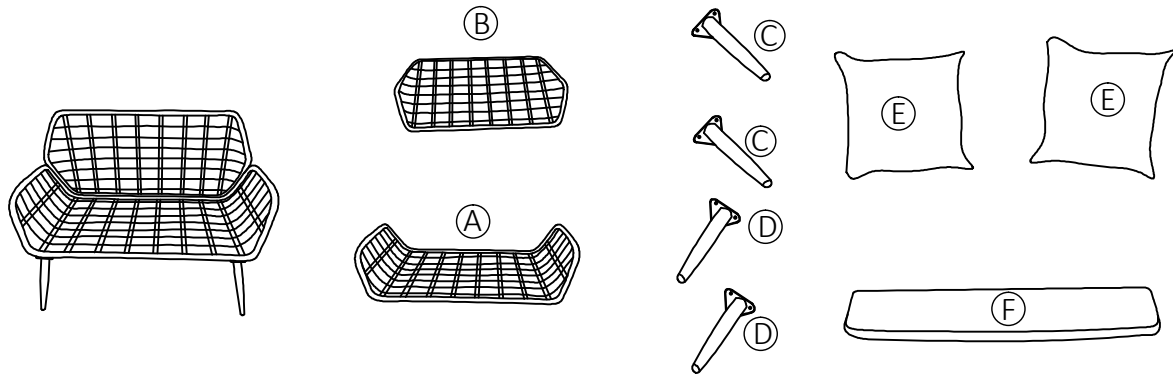


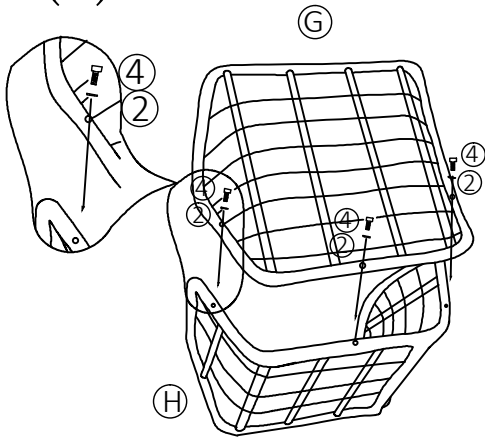
ASSEMBLY INSTRUCTIONS



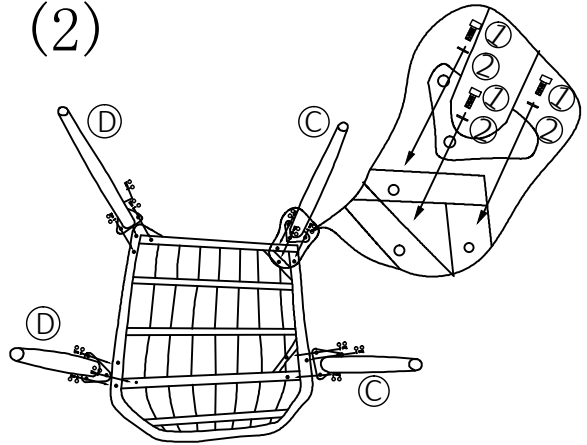


(A)	1PC	(G)	2PCS
(B)	1PC	(H)	2PCS
(C)	6PCS	(K)	2PCS
(D)	10PCS	(M)	1PC
(E)	2PC	(N)	1PC
(F)	1PC		

(1)



(2)



(3)



(4)

Completed unit



NOTE: DO NOT tighten bolts until all parts are connected

①	x24
M6x15	

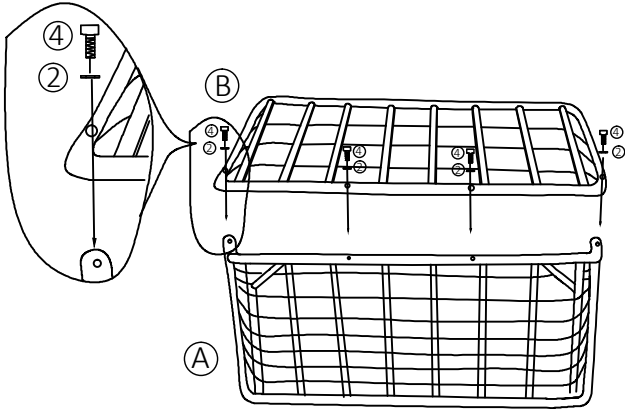
③	x1
M6	

②	x30
φ6.5*φ14*1.0	

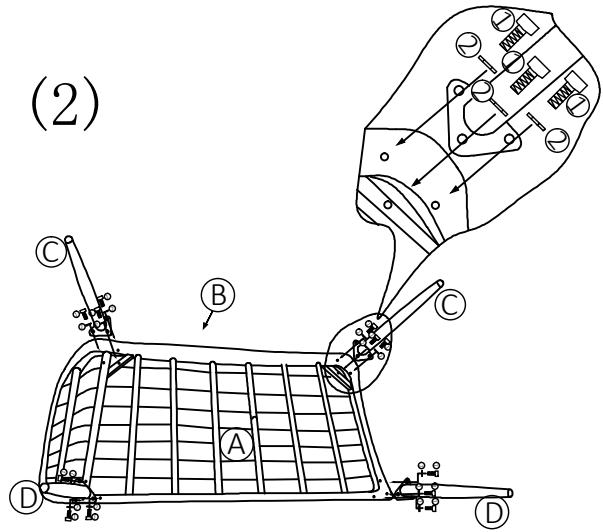
④	x6
M6x40	

Ⓒ	2PCS
Ⓓ	2PCS
Ⓔ	4PCS
Ⓕ	4PCS
Ⓖ	2PCS

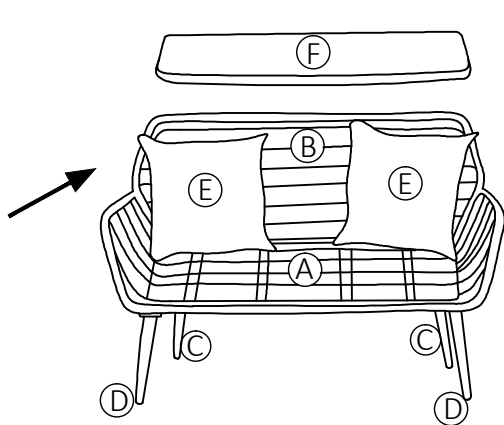
(1)



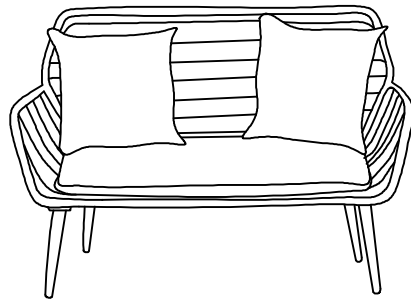
(2)



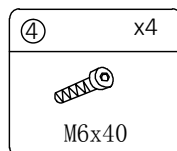
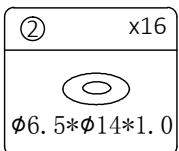
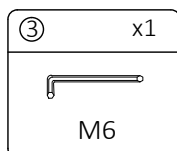
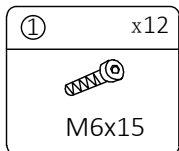
(3)



(4) Completed unit

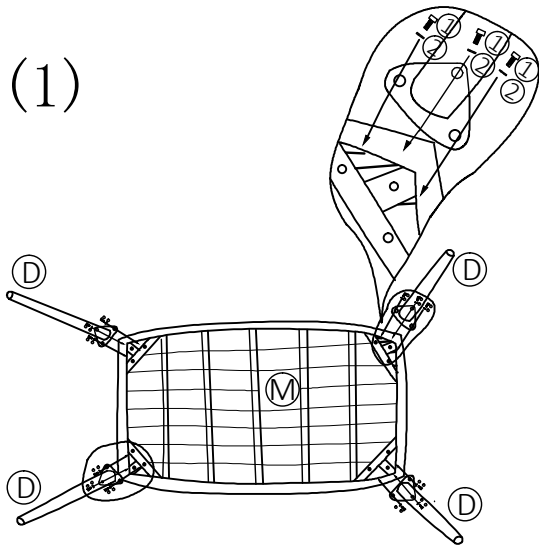


Note: DO not tighten bolts until all parts are connected

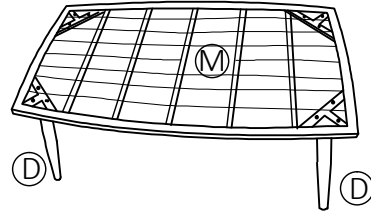


Ⓐ	1PC
Ⓑ	1PC
Ⓒ	2PCS
Ⓓ	2PCS
Ⓔ	2PCS
Ⓕ	1PC

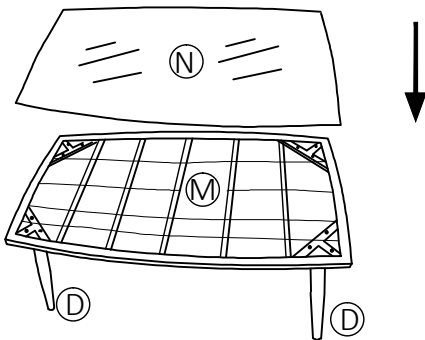
(1)



(2)

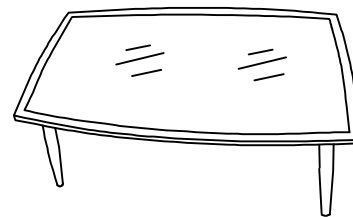


(3)

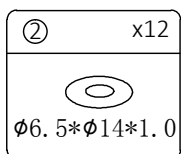
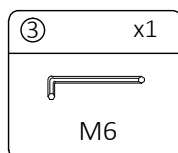
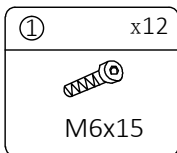


(4)

Completed unit



Note: DO not tighten bolts until all parts are connected



Ⓜ	1PC
ⓓ	4PCS
Ⓝ	1PC