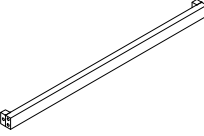
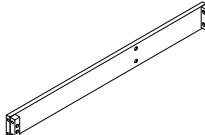
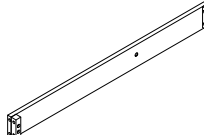
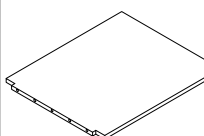
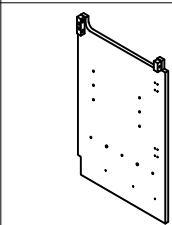
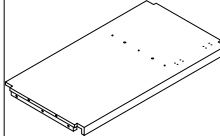
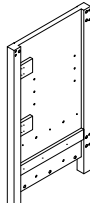
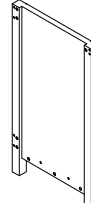
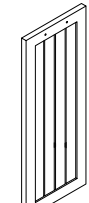
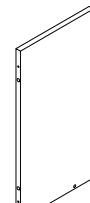


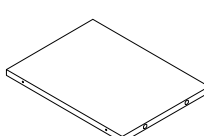
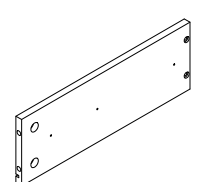
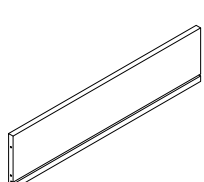
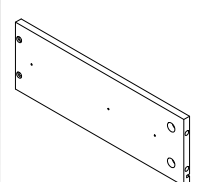
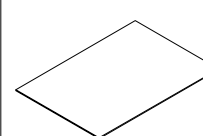
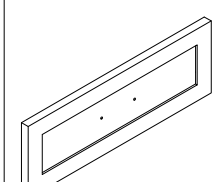
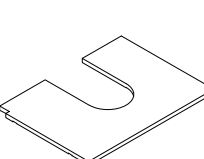
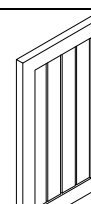
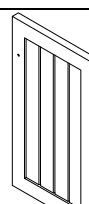
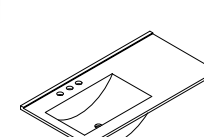
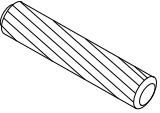
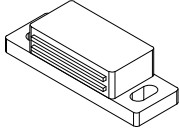
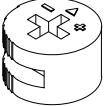
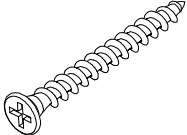
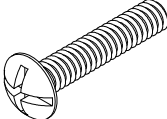

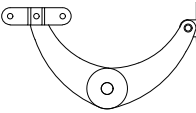


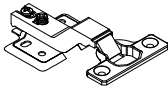

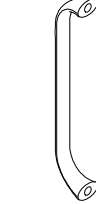
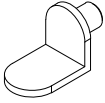
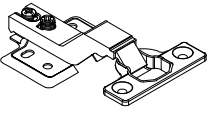


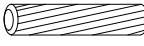
PRODUCT PARTS:

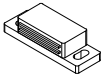
A	B	C	D	E	F
					
1PC	1PC	1PC	1PC	1PC	1PC
G	H	I	J	K	L
					
1PC	1PC	1PC	1PC	1PC	1PC
M	N	O	P	Q	R
					
1PC	1PC	1PC	1PC	1PC	1PC
S	T	U	V		
					
1PC	1PC	1PC	1PC		

HARDWARE:

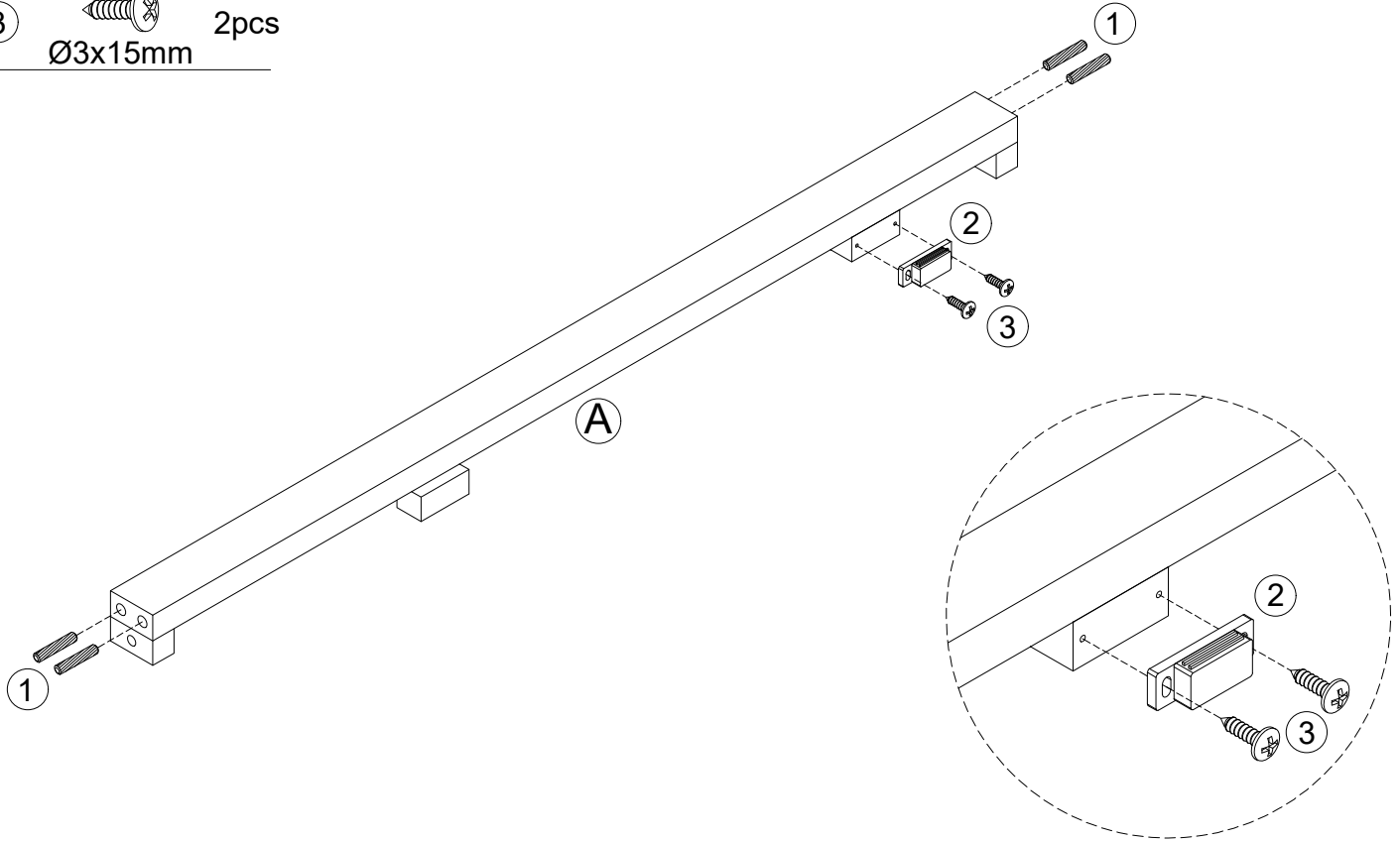
①	②	③	④	⑤	⑥
					
Ø8x30mm		Ø3x15mm	Ø6x33mm	300x45mm	Ø3x10mm
22+2 PCS	1 PC	2PCS	16+1 PCS	1 SET	12+1 PCS
⑦	⑧	⑨	⑩	⑪	⑫
					
Ø15x9mm	Ø4x35mm	1/4"x25mm	Ø3x12mm		35x12mm
16+1 PCS	4 PCS	19+1 PCS	5 PCS	1 PC	1 PC
⑬	⑭	⑮	⑯	⑰	⑱
					
Ø4x12mm	Ø26mm	Ø6x30mm	Ø4x25mm	5/32"x18mm	
36+2 PCS	2PCS	8 PCS	14+1 PCS	6PCS	2PCS
⑲	⑳	㉑			
					
	Ø35mm				
4PCS	4PCS	2PCS			

STEP 1


①  4pcs
Ø8x30mm

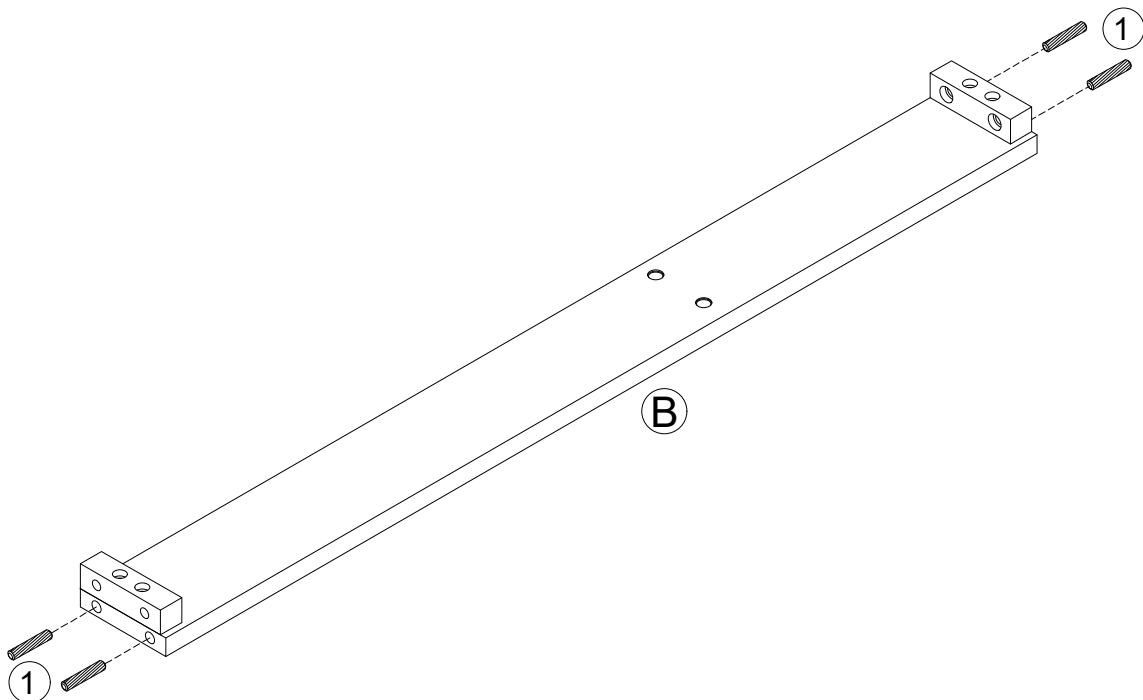
②  1pc

③  2pcs
Ø3x15mm

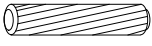


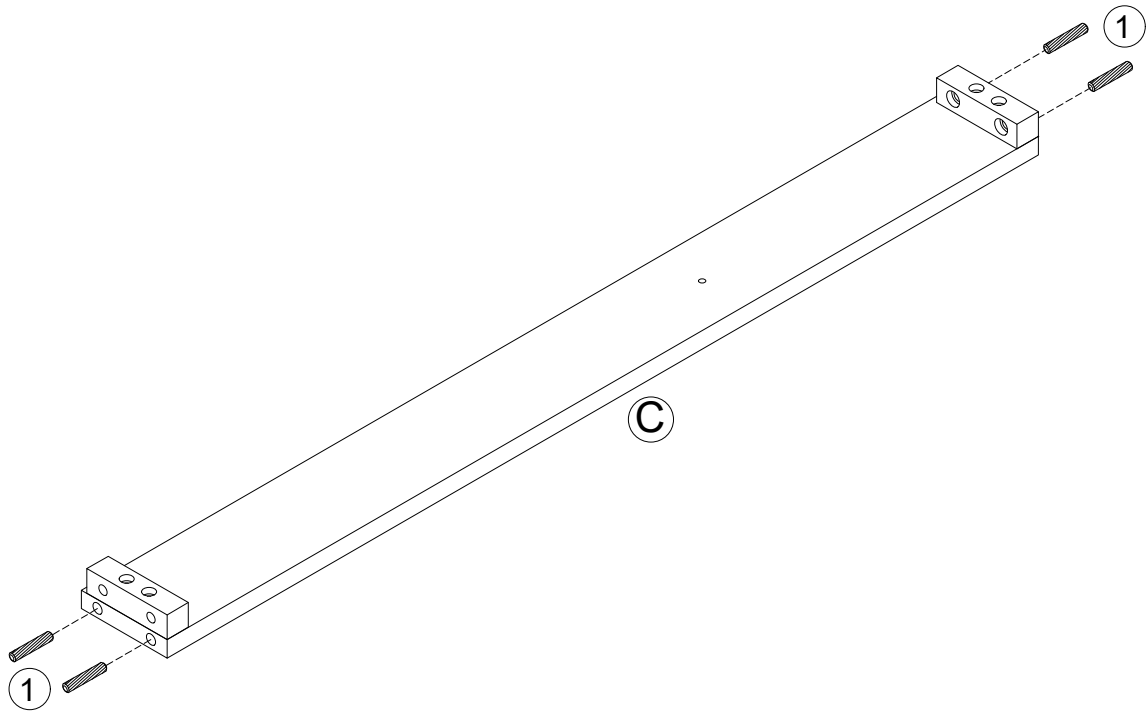
STEP 2

①  4pcs
Ø8x30mm




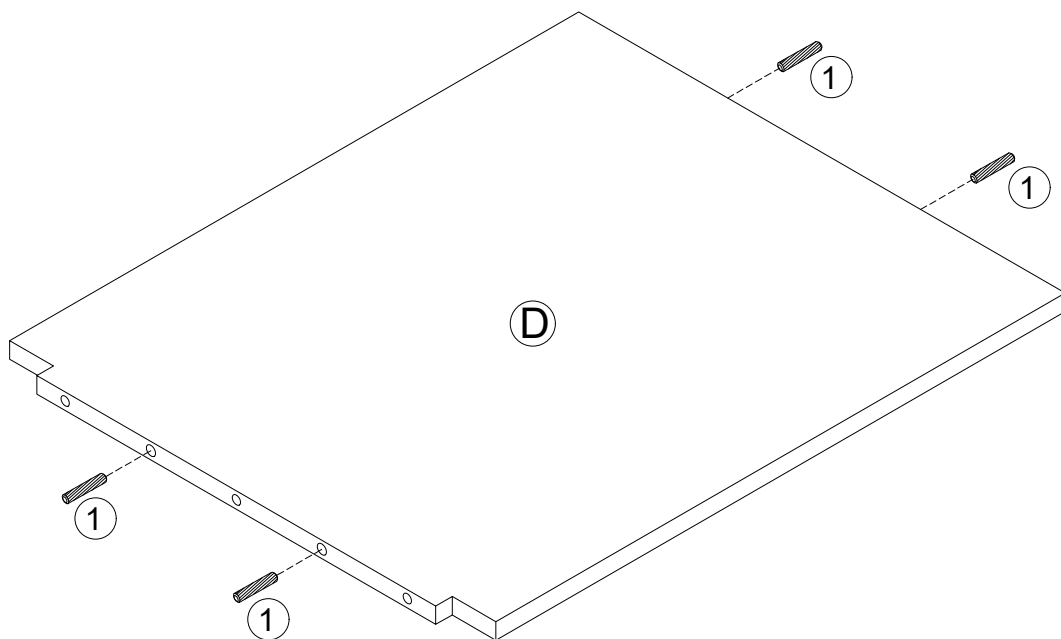
STEP 3

①  4pcs
Ø8x30mm




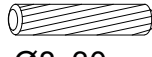
STEP 4

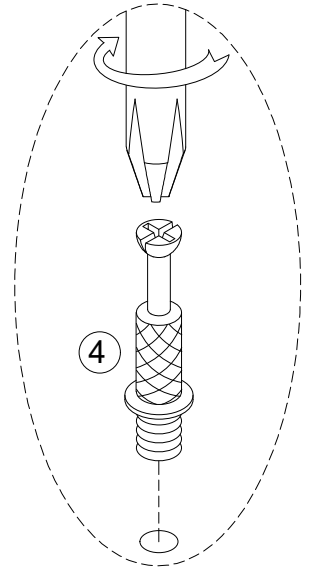
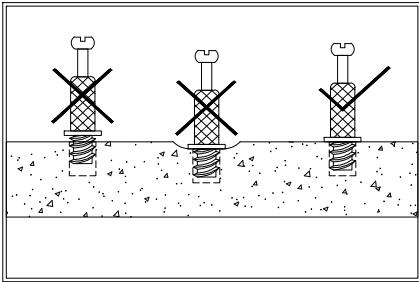
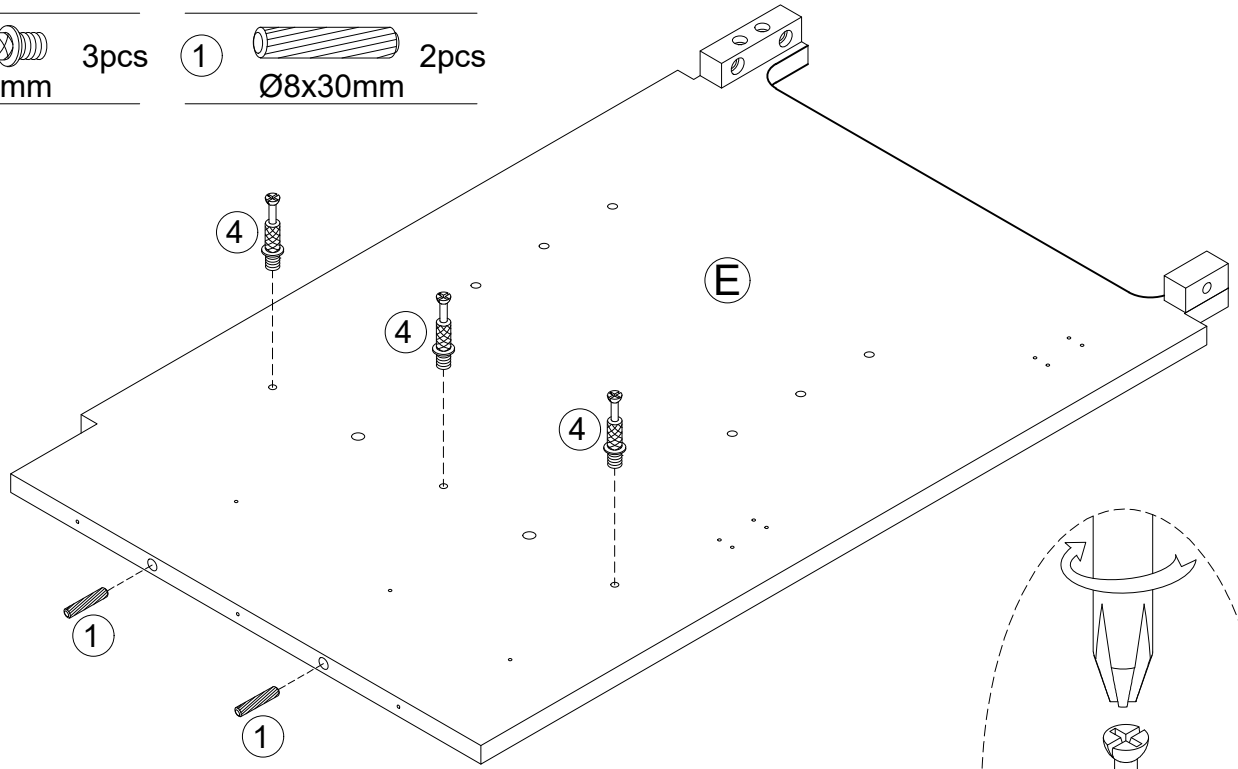
①  4pcs
Ø8x30mm



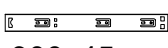
STEP 5

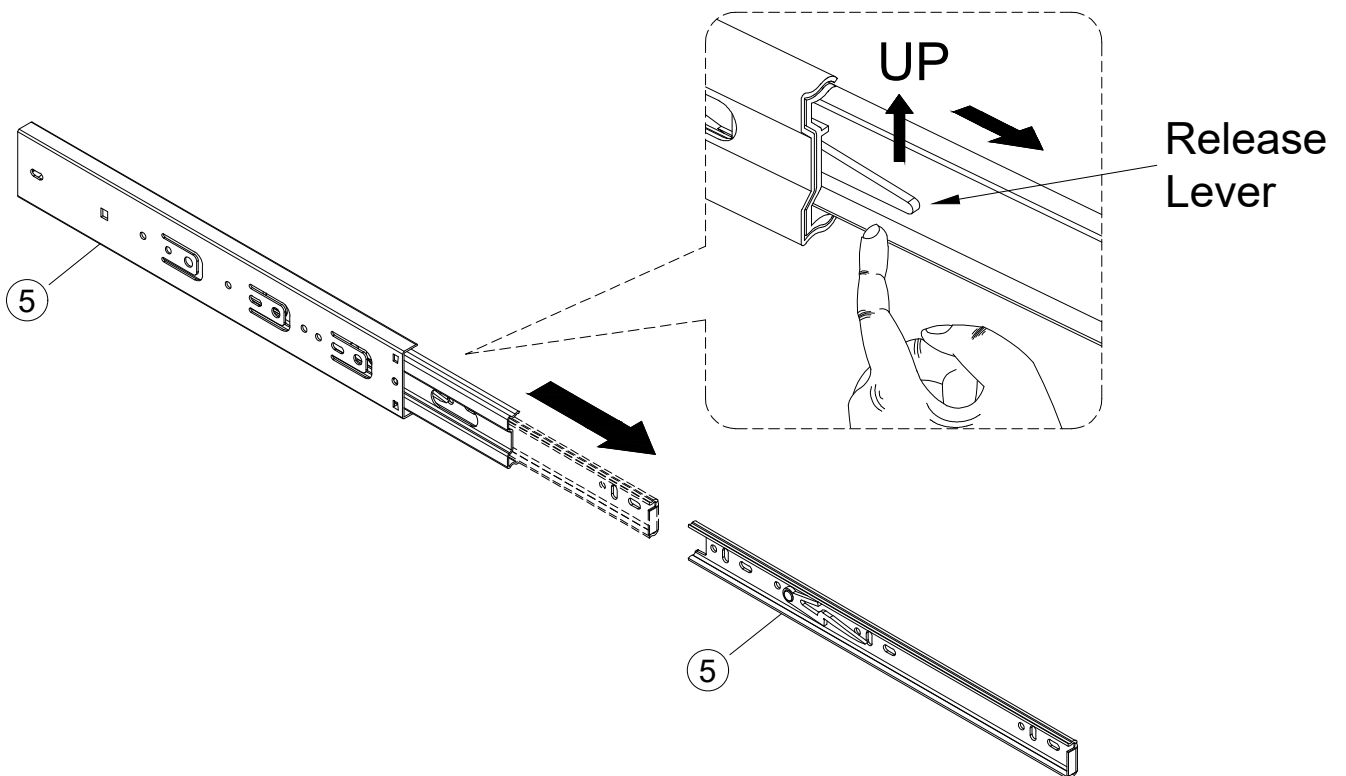
④  3pcs
Ø6x33mm

①  2pcs
Ø8x30mm

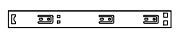


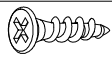
STEP 6

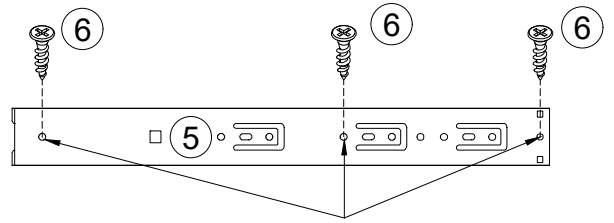
⑤  1SET
300x45mm



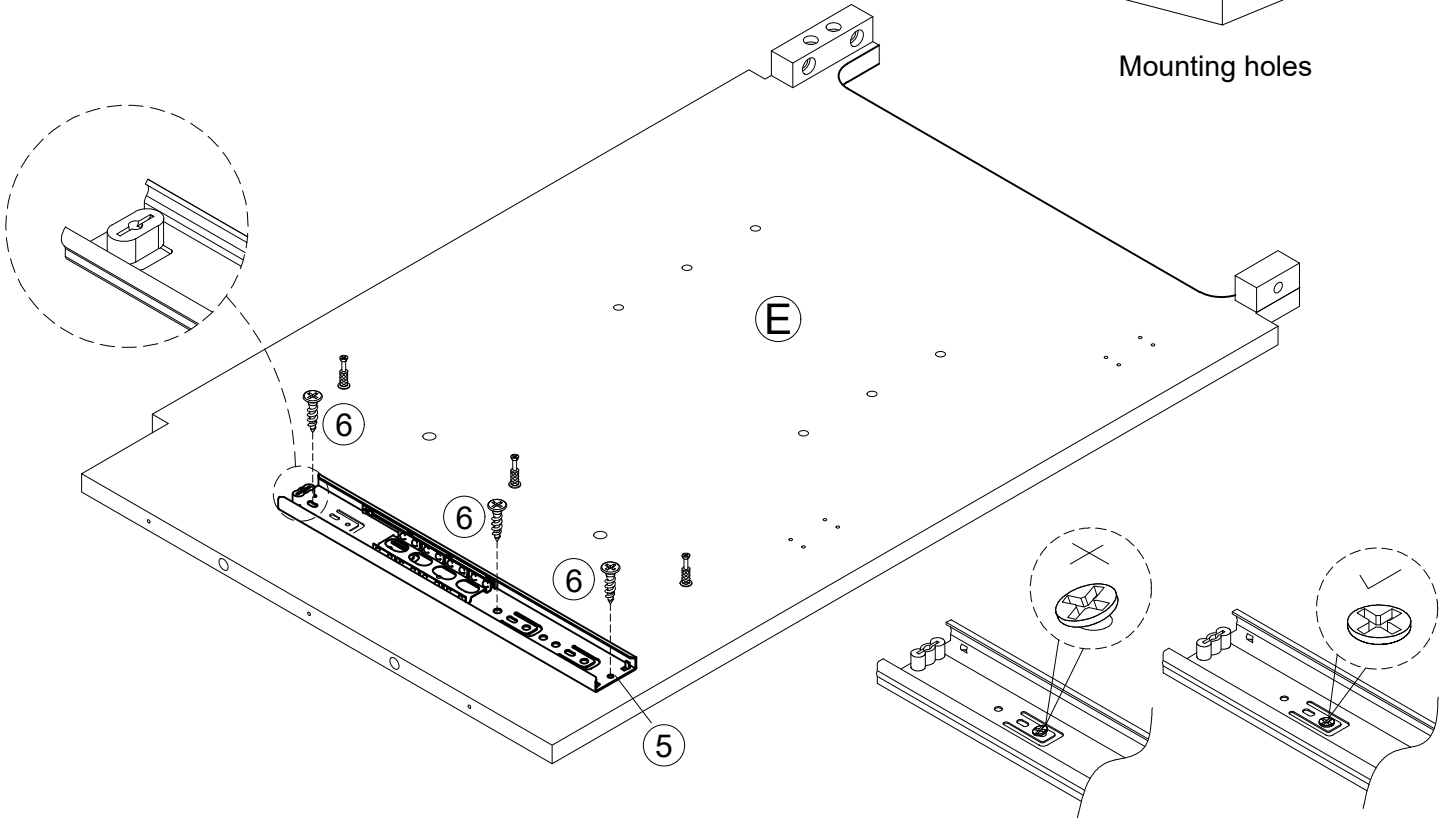
STEP 7

⑤  1pc
300x45mm


⑥  3pcs
Ø3x10mm



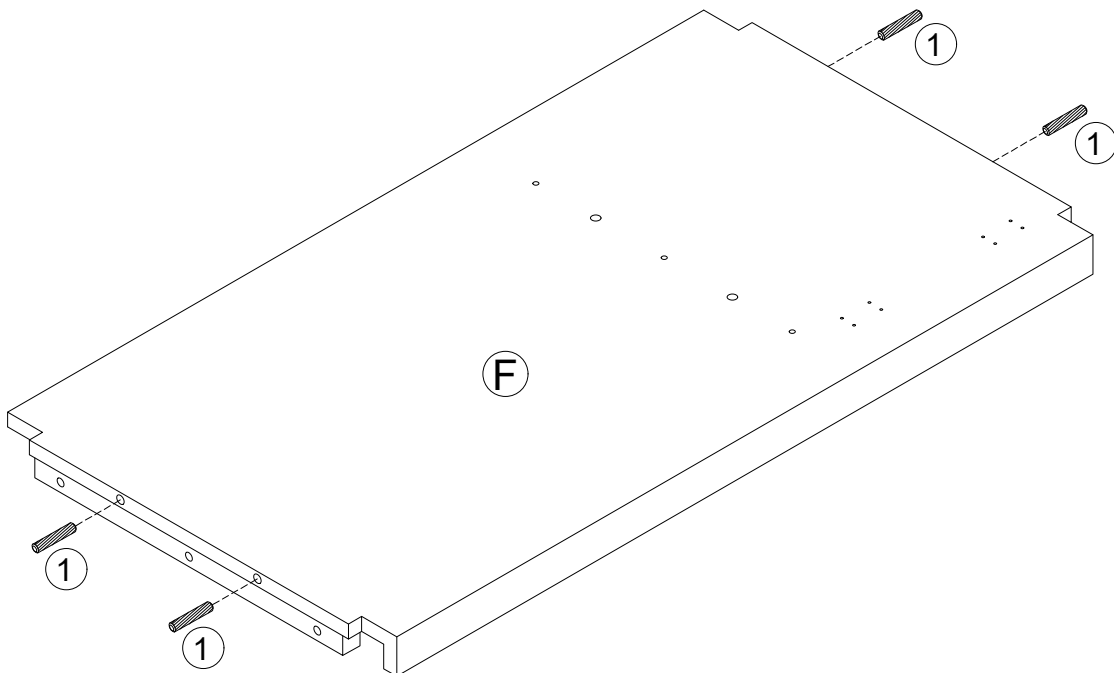
Mounting holes



STEP 8

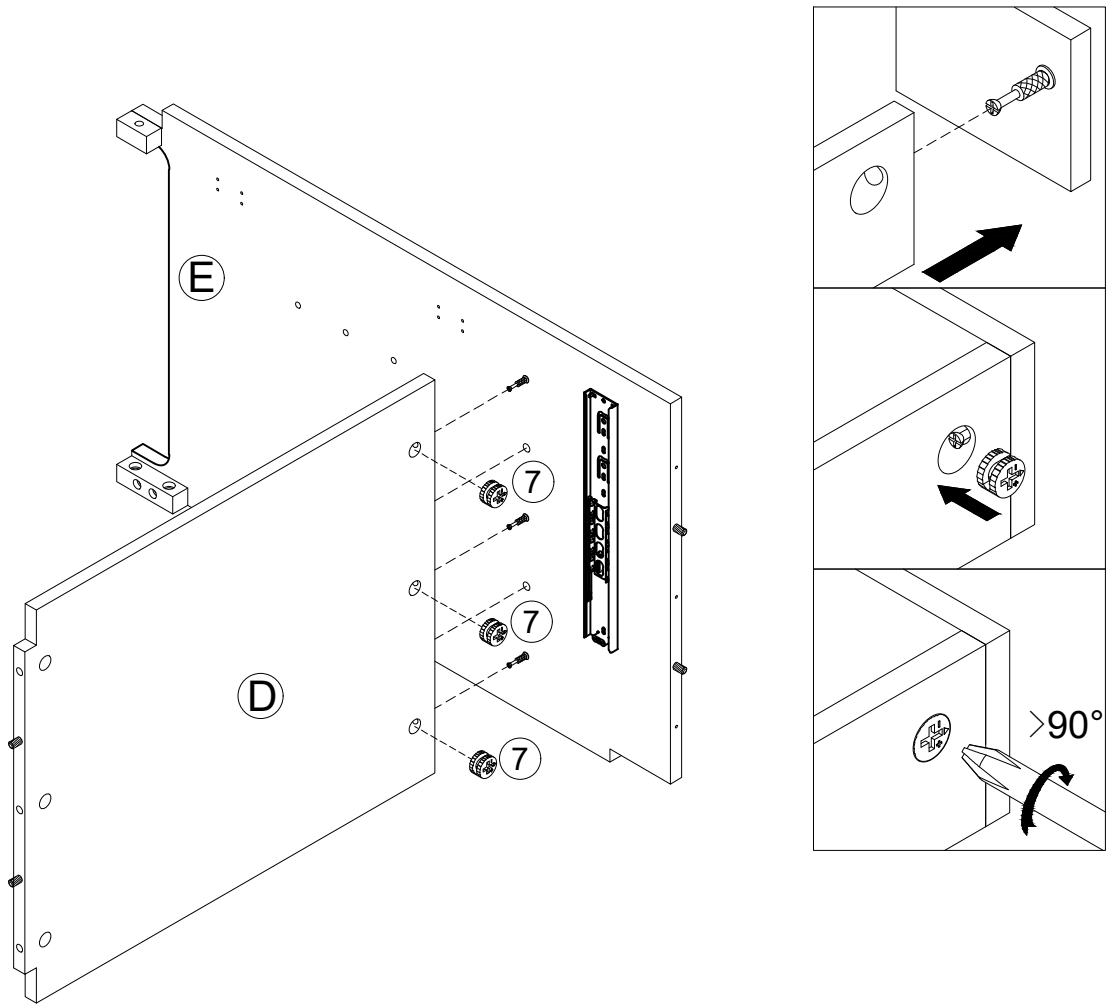
①  4pcs
Ø8x30mm

Please make sure that the screw is **VERTICAL** so as not to affect the sliding of the drawer.




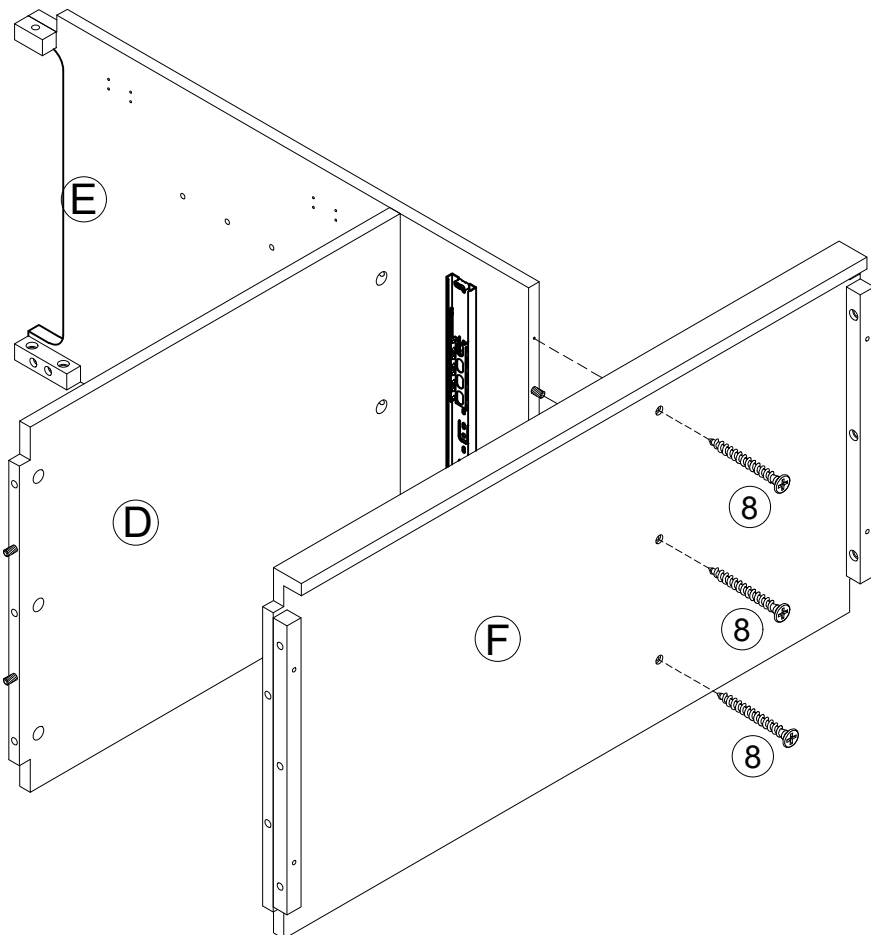
STEP 9

7  3pcs
Ø15x9mm

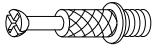


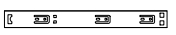
STEP 10

8  3pcs
Ø4x35

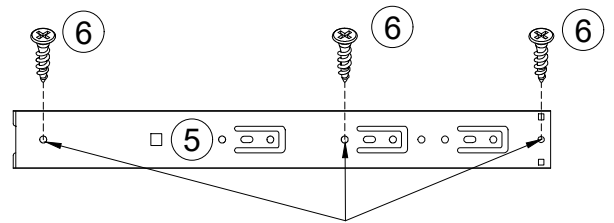


STEP 11

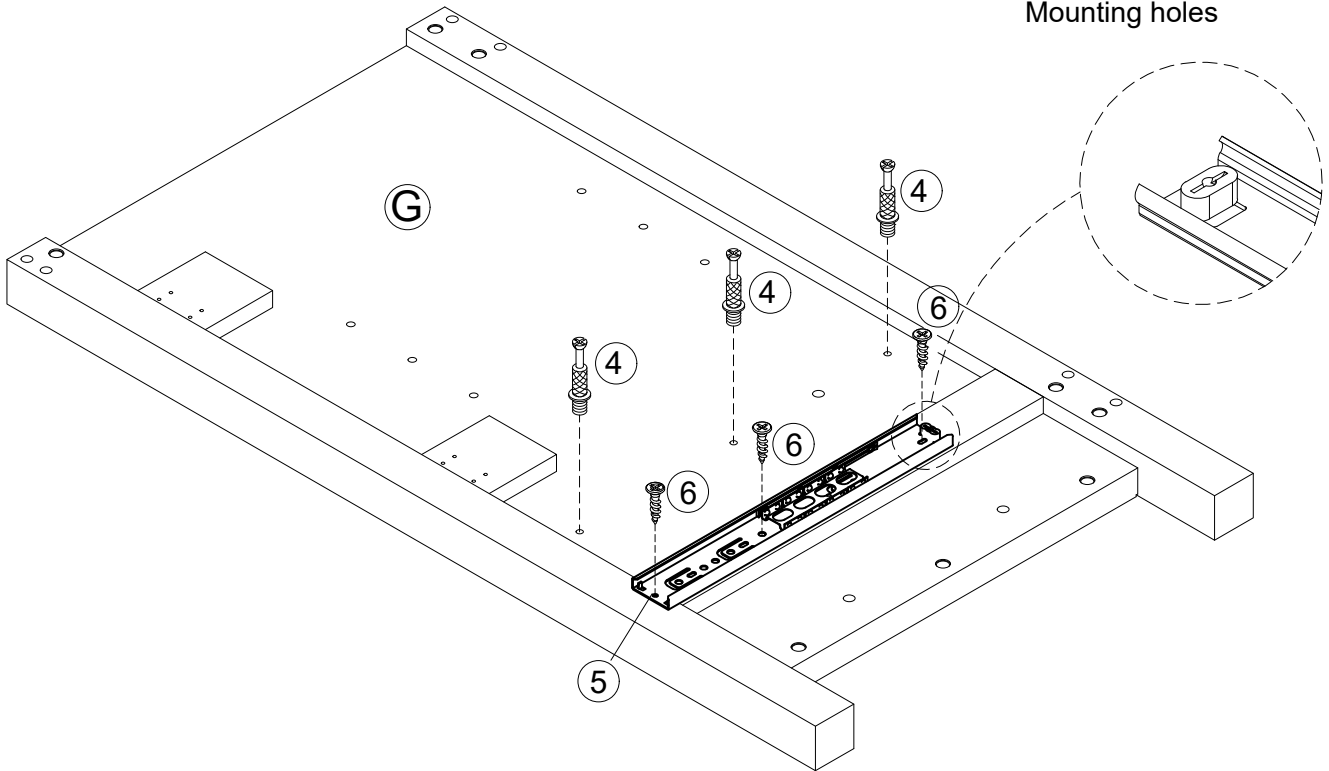
④  3pcs
Ø6x33mm

⑤  1pc
300x45mm

⑥  3pcs
Ø3x10mm




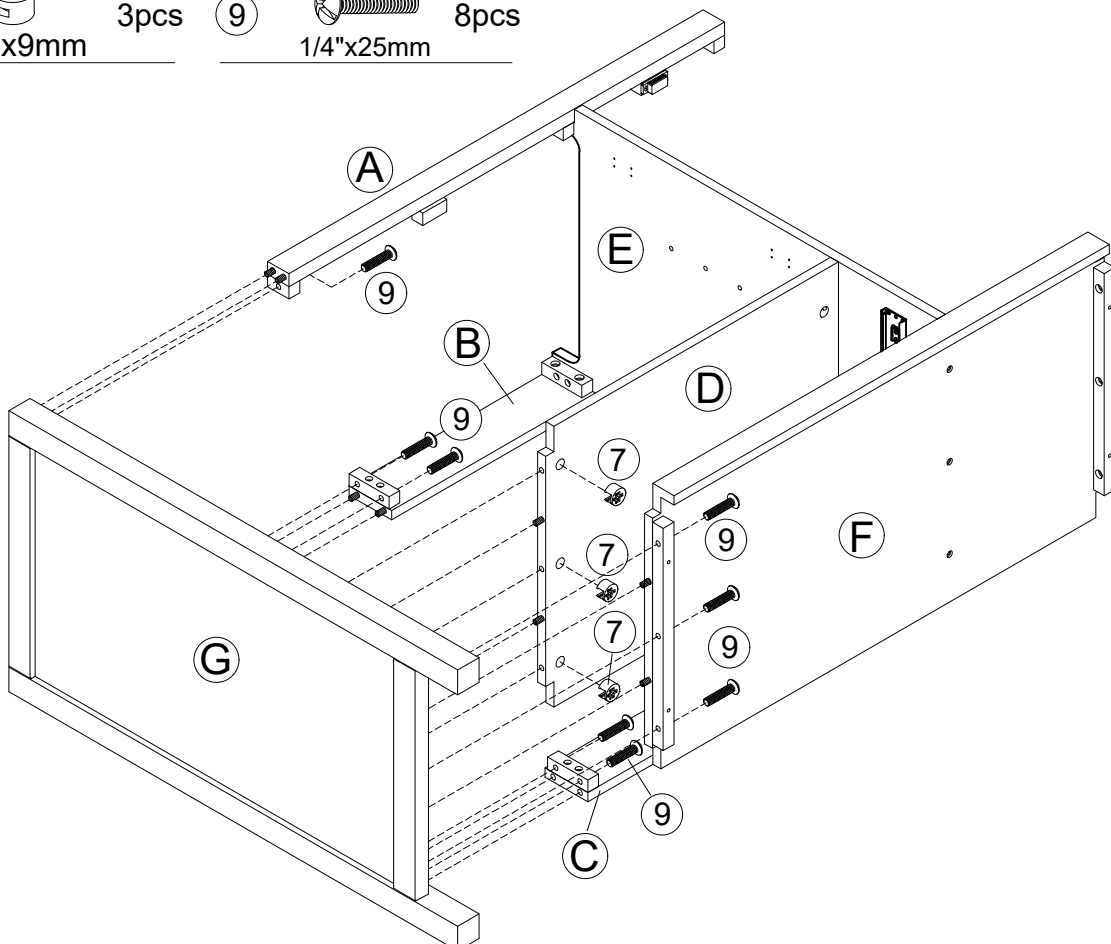
Mounting holes




STEP 12

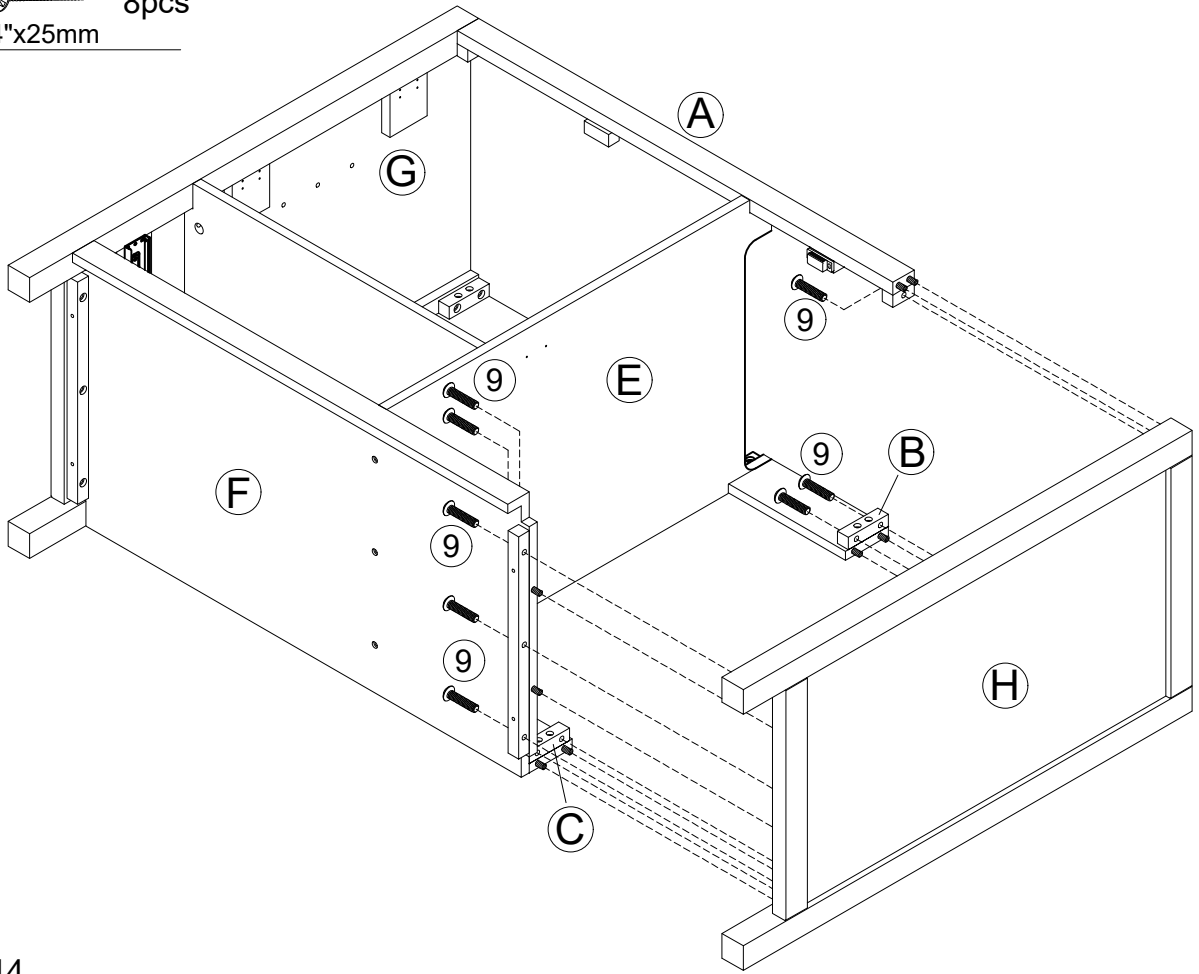
⑦  3pcs
Ø15x9mm

⑨  8pcs
1/4"x25mm





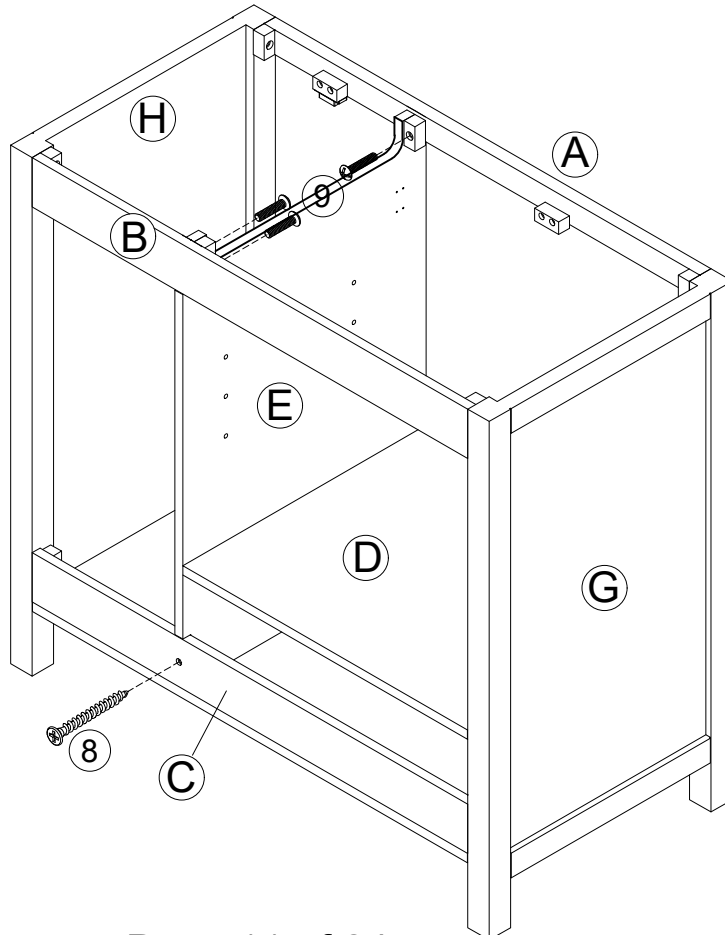
STEP 13

- ⑨  8pcs
1/4"x25mm


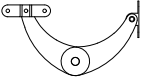


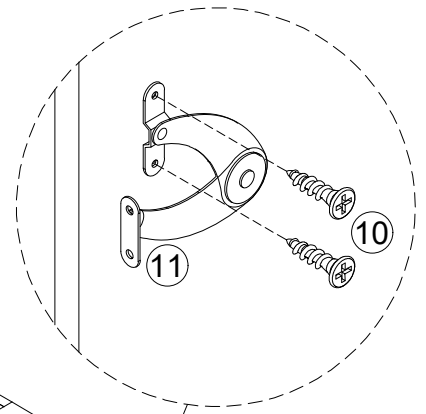
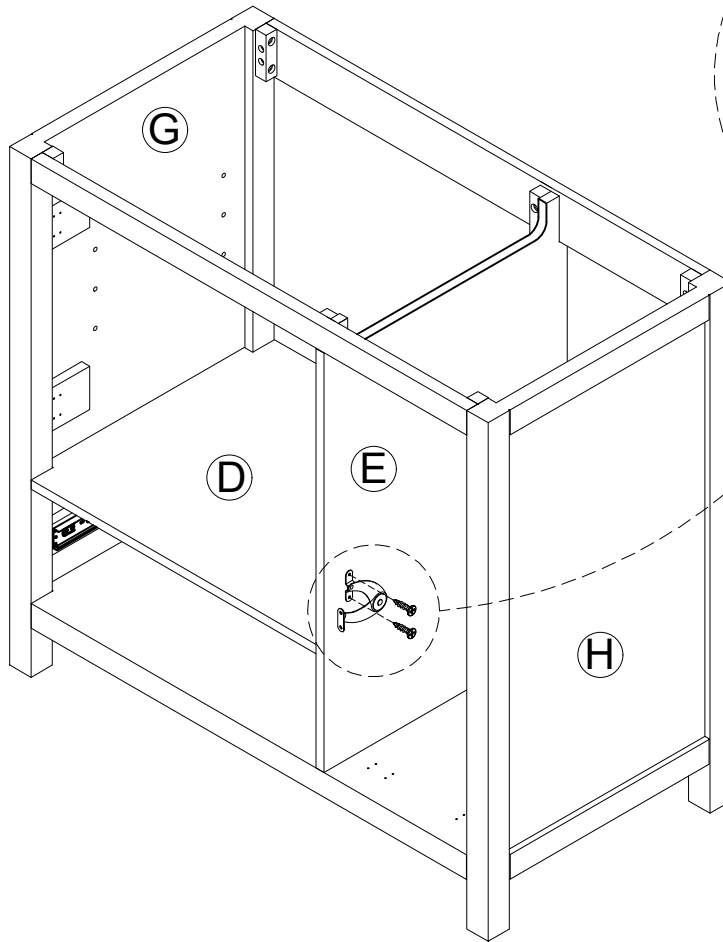
STEP 14

- ⑨  3pcs
1/4"x25mm
- ⑧  1pc
Ø4x35



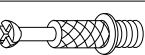


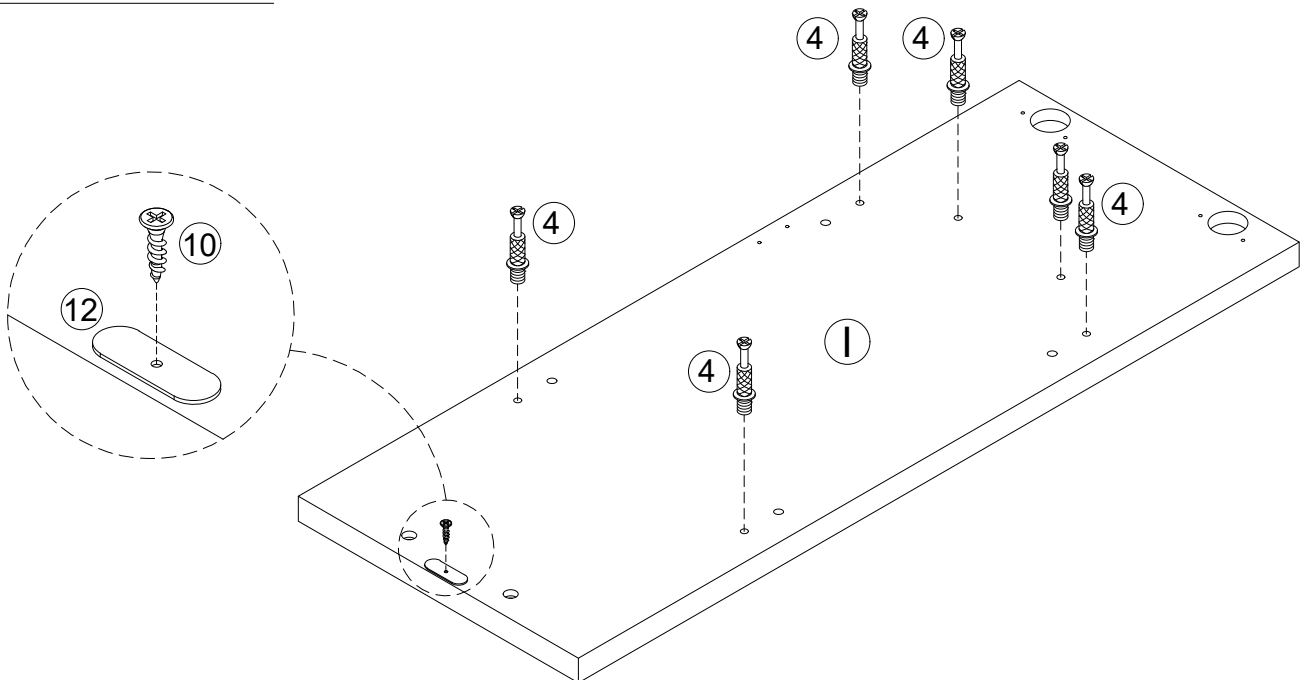
STEP 15

- ⑩  2pcs
Ø3x12mm
- ⑪  1pc

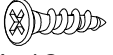
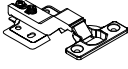


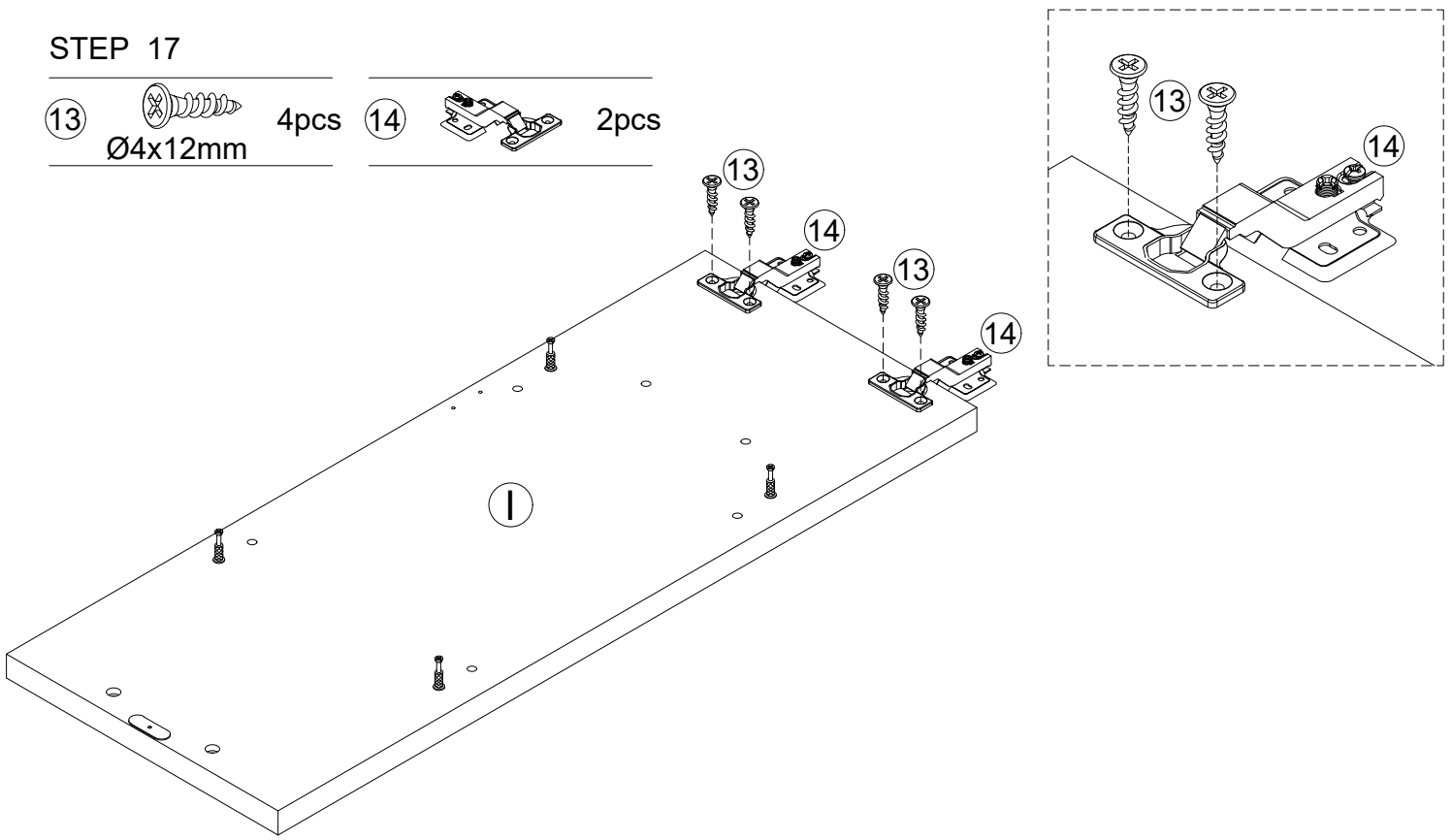
STEP 16

- ⑩  1pc
Ø3x12mm
- ⑫  1pc
- ④  6pcs
Ø6x33mm



STEP 17

⑬  4pcs ⑭  2pcs
 Ø4x12mm

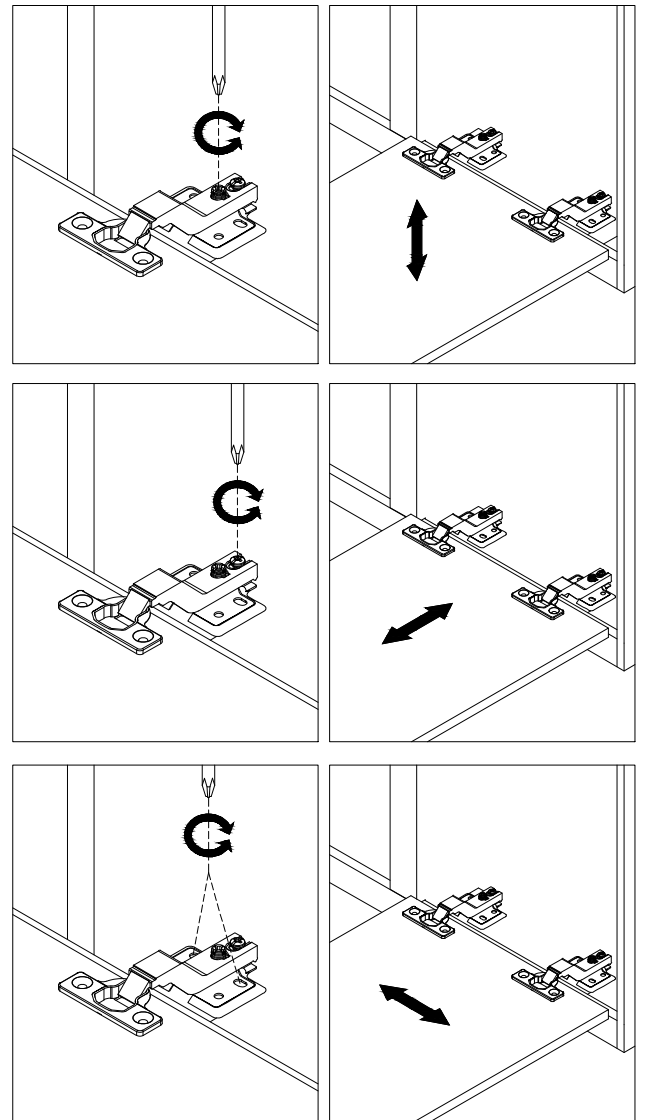
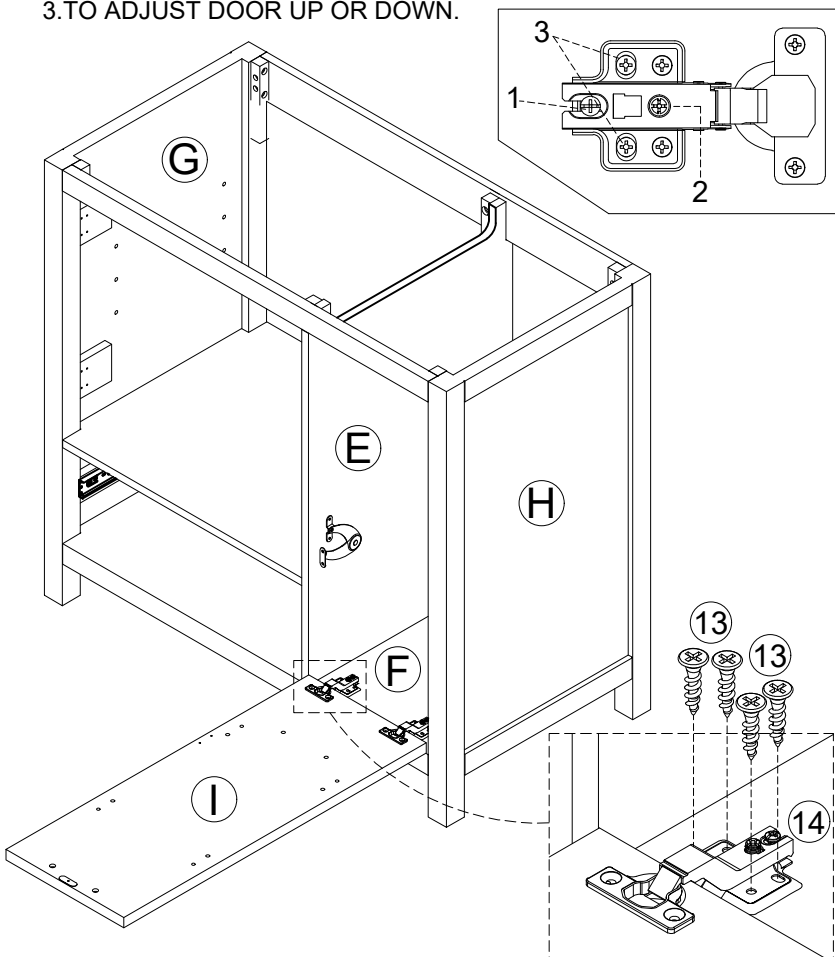


STEP 18

⑬  8pcs
 Ø4x12mm

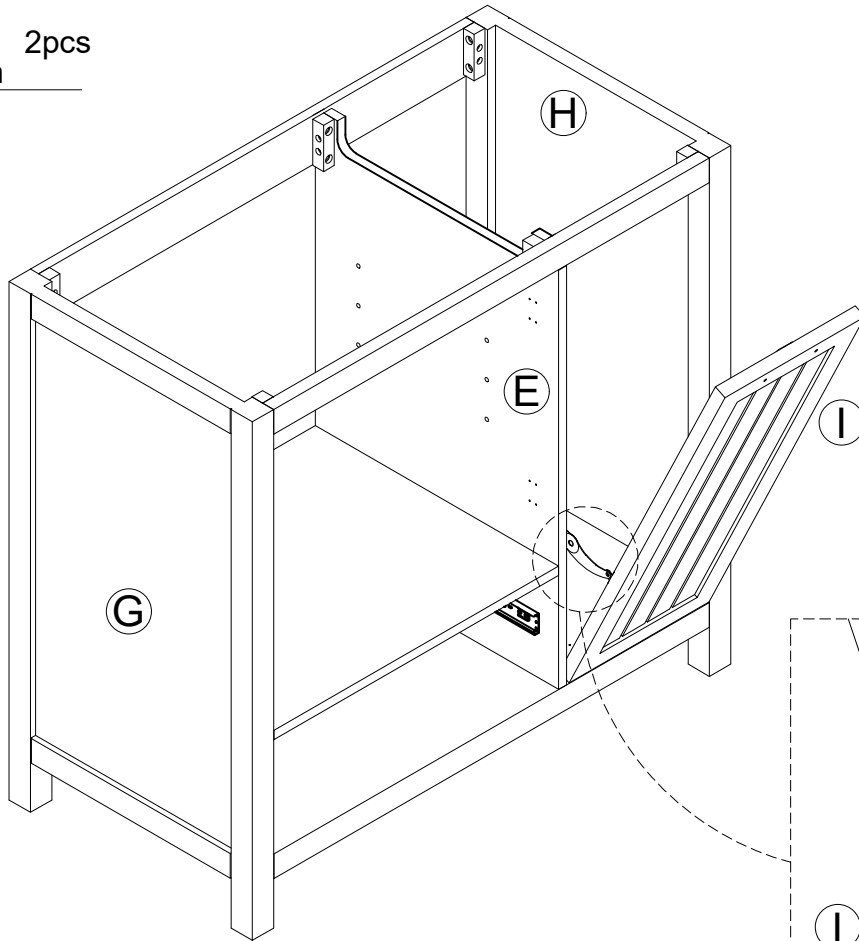
Three-way adjustable hinge for perfectly aligned doors

1. TO ADJUST DOOR FORWARD OR BACKWARD.
2. TO ADJUST DOOR TO RIGHT OR TO LEFT.
3. TO ADJUST DOOR UP OR DOWN.




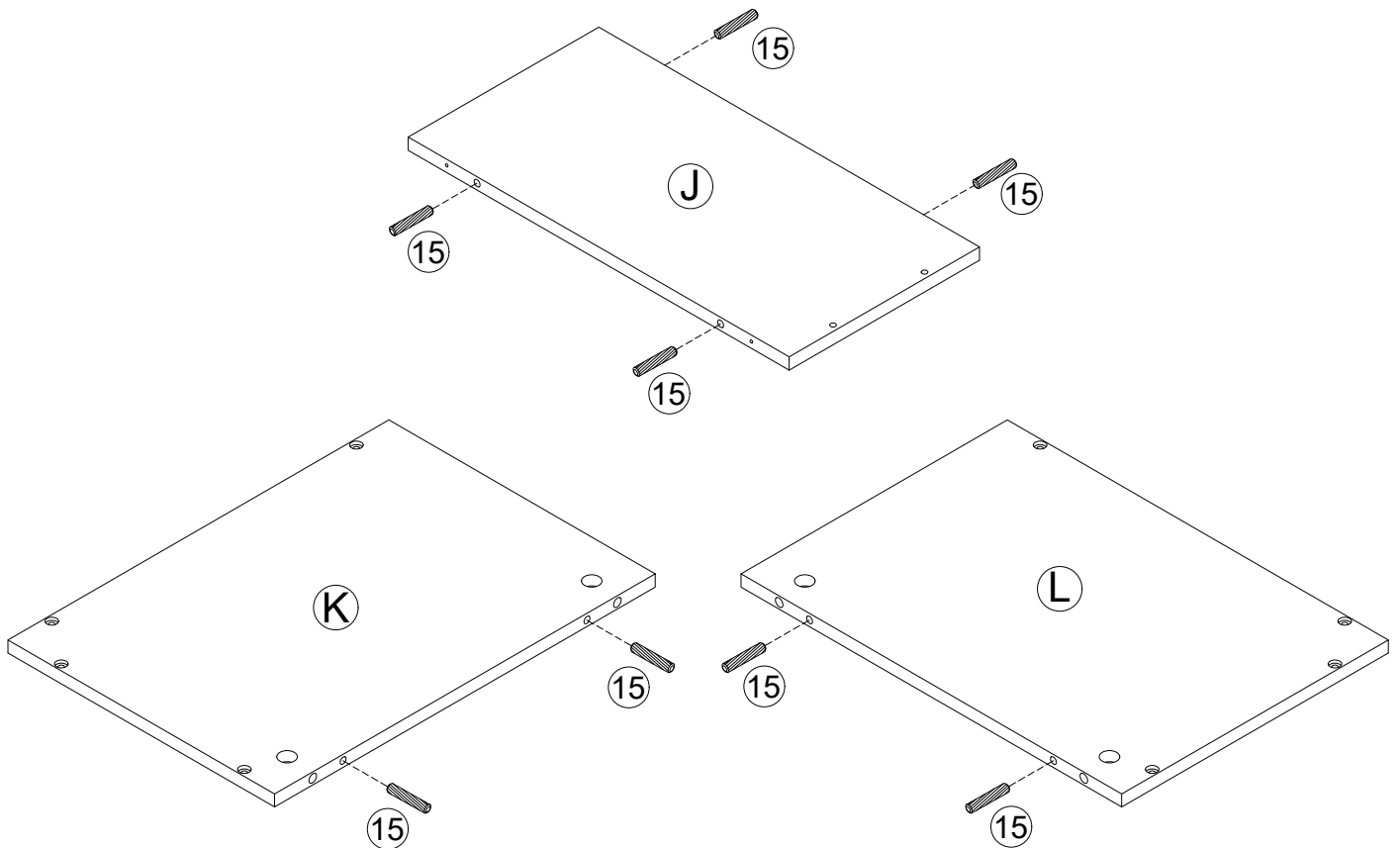
STEP 19

- ⑩  2pcs
Ø3x12mm




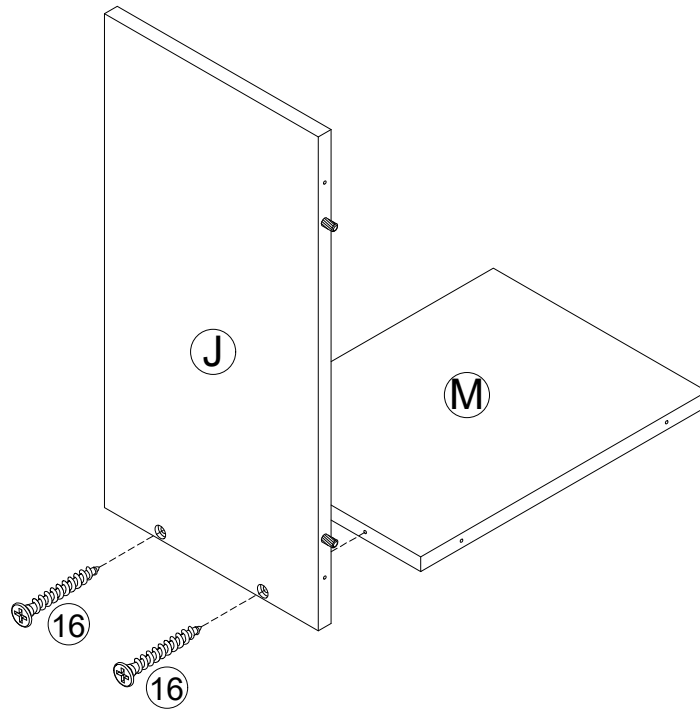
STEP 20

- ⑮  8pcs
Ø6x30mm




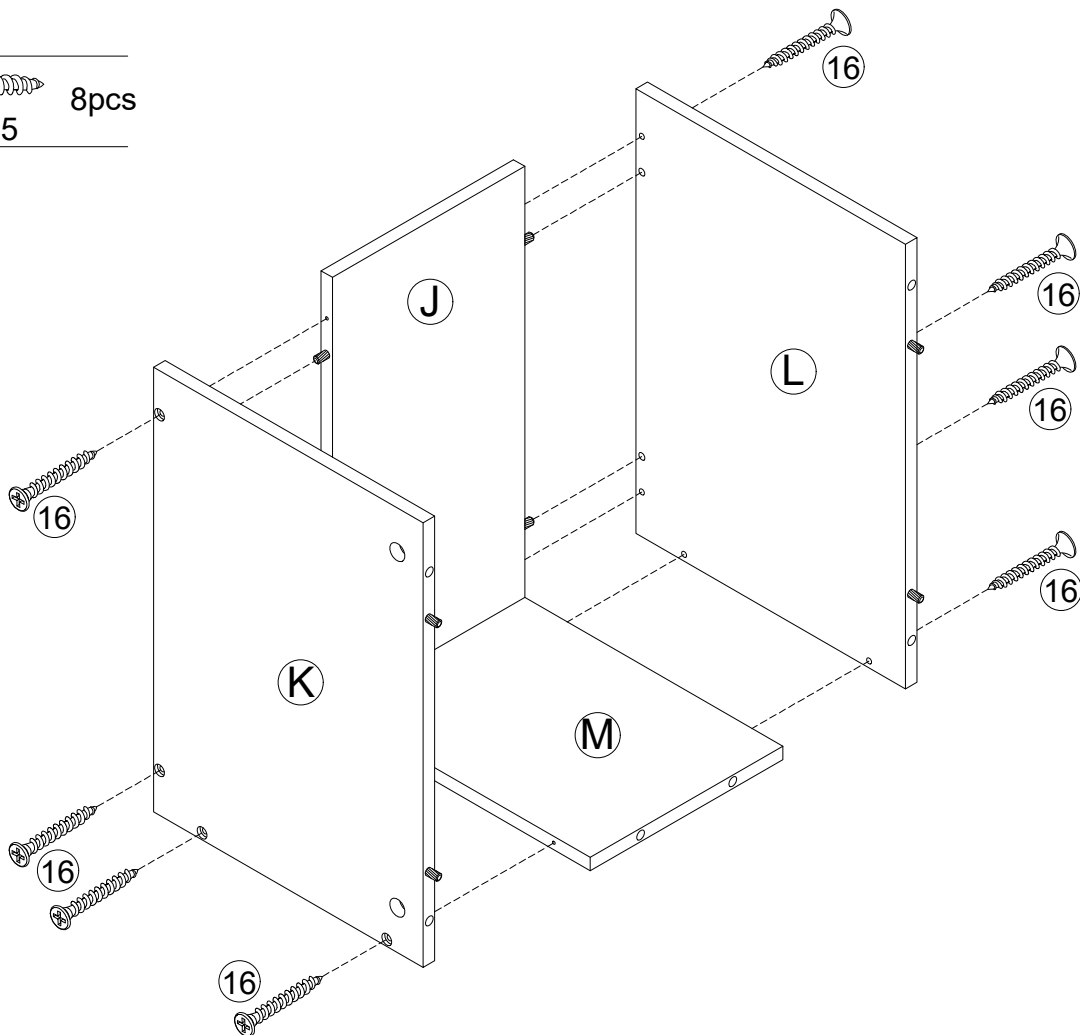
STEP 21

- ①⑥  2pcs
Ø4x25



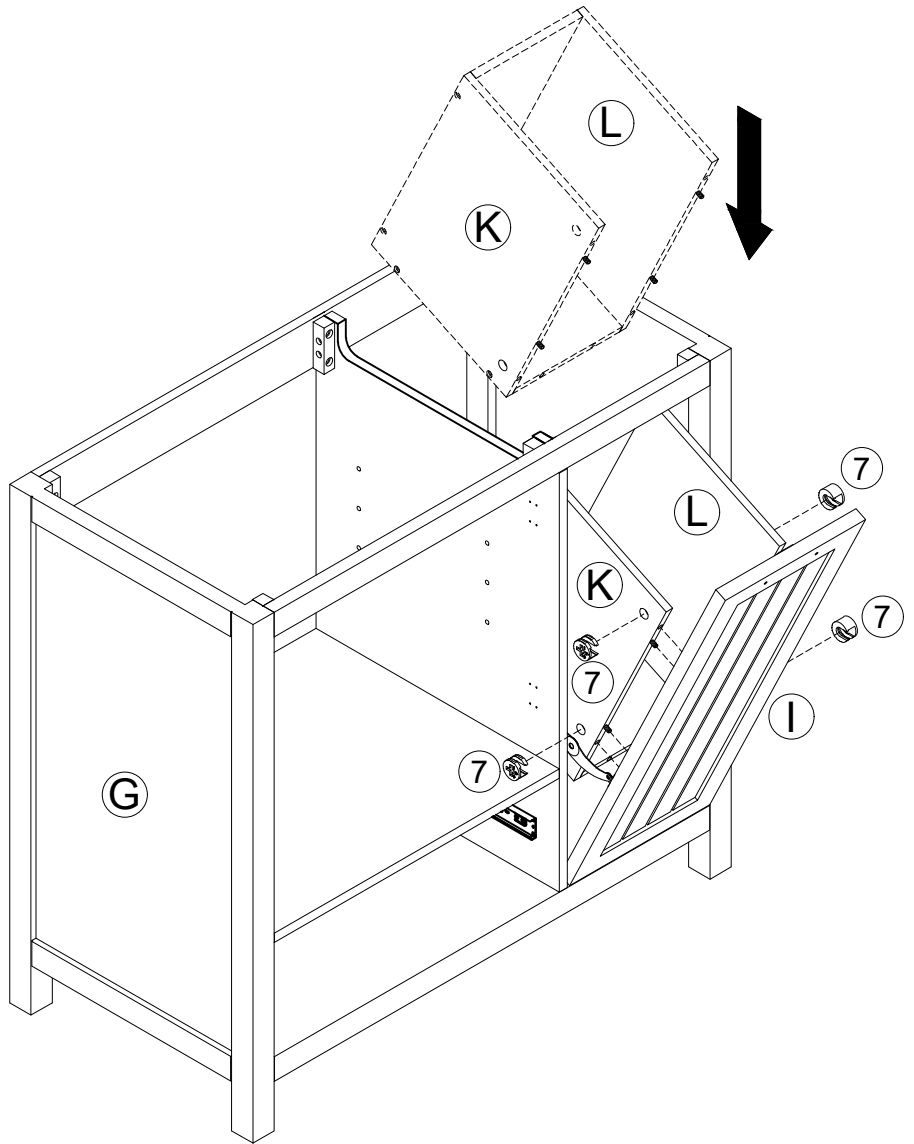
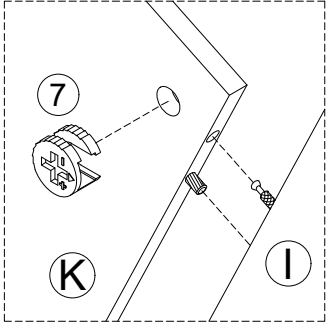
STEP 22

- ①⑥  8pcs
Ø4x25



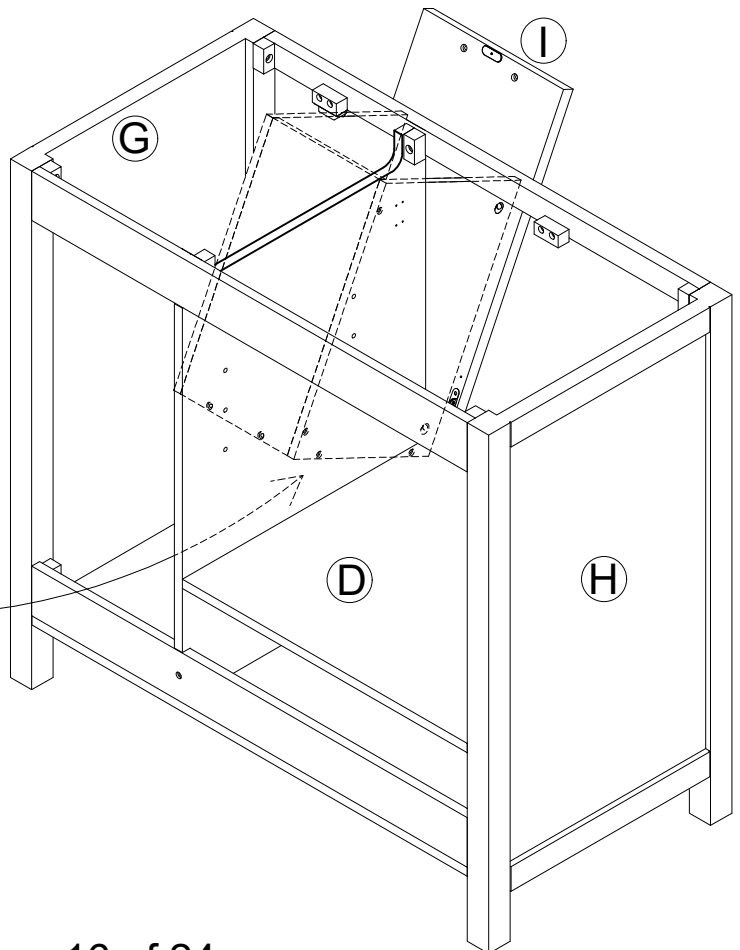
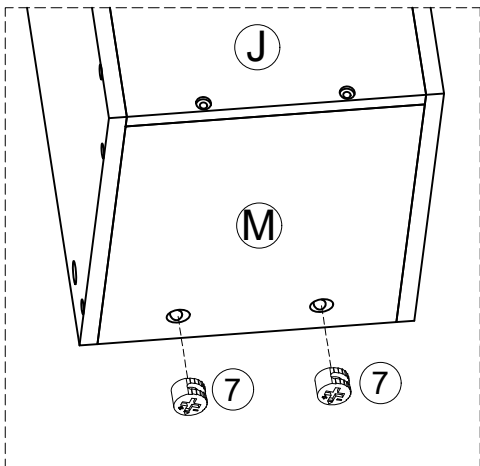
STEP 23

⑦  4pcs
Ø15x9mm



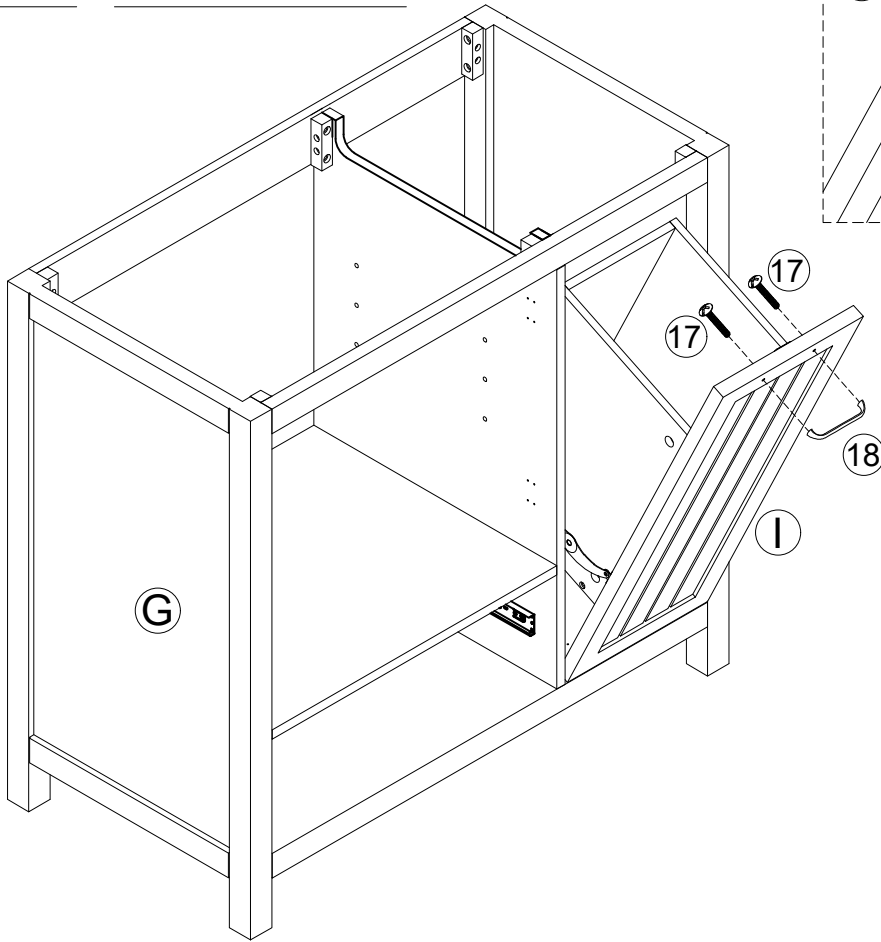
STEP 24

⑦  2pcs
Ø15x9mm



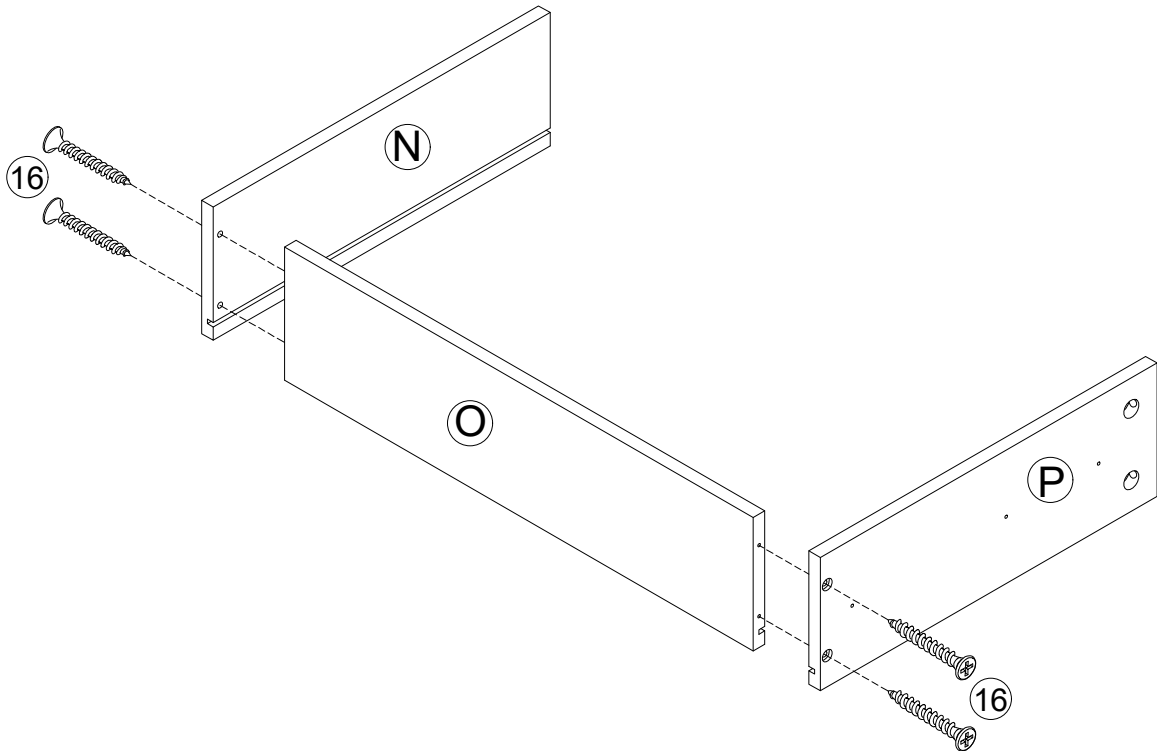
STEP 25

- ①⑦ 5/32"x18mm 2pcs ①⑧ 1pc

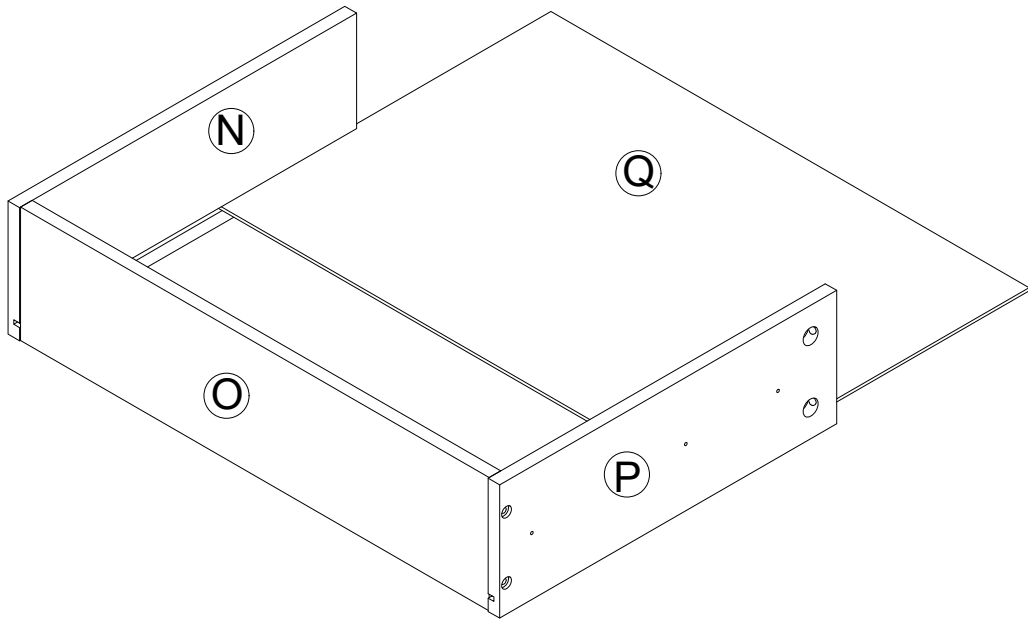


STEP 26

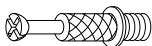
- ①⑥ Ø4x25 4pcs

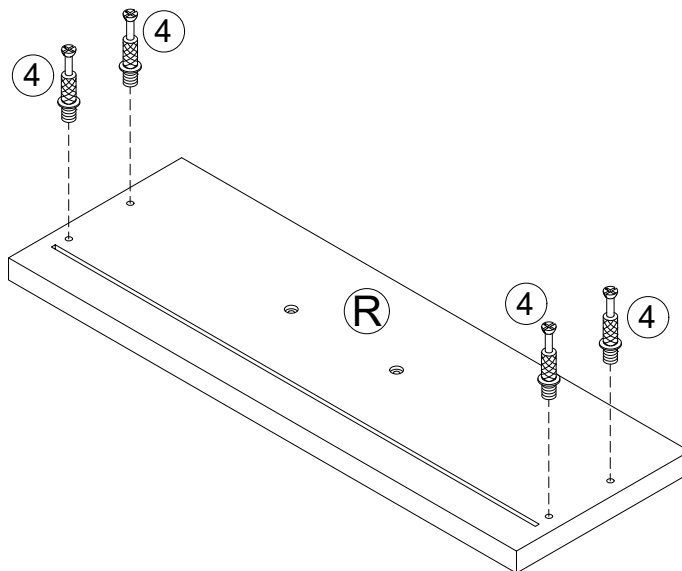


STEP 27



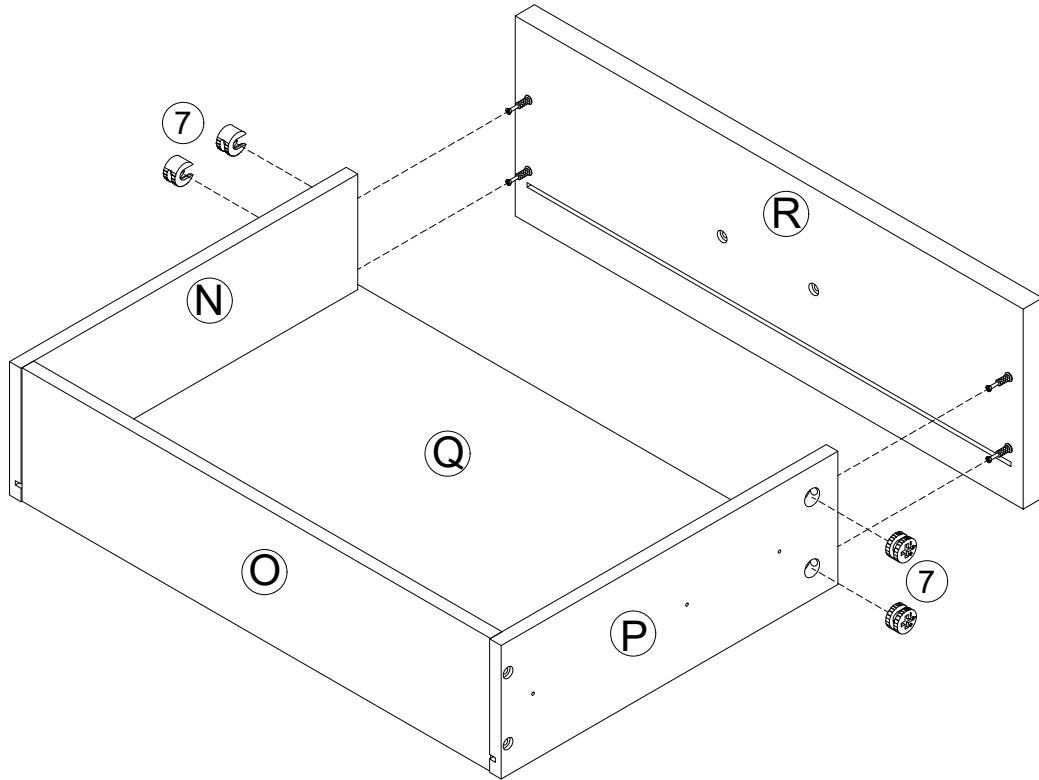
STEP 28

- ④  4pcs
Ø6x33mm
-



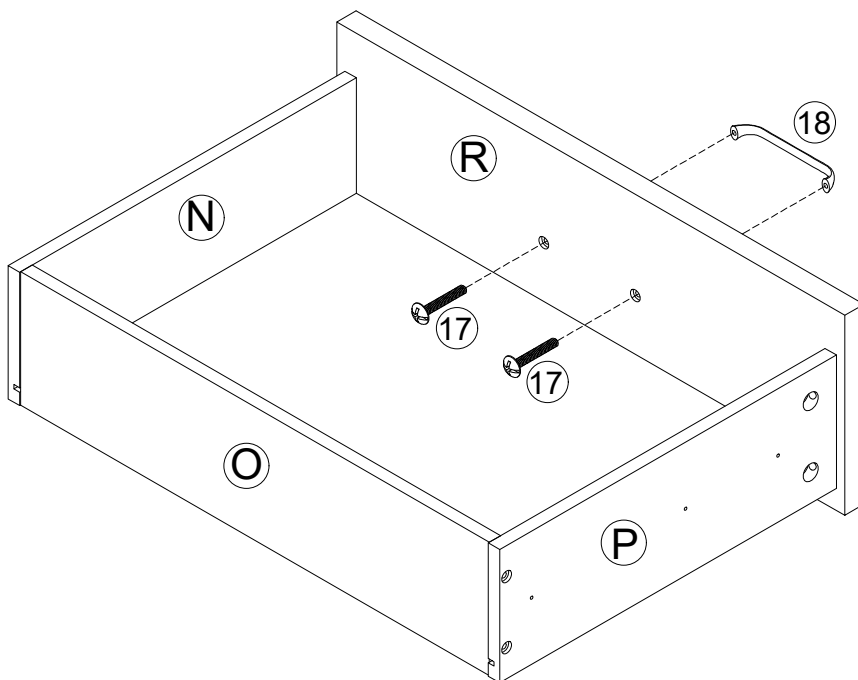
STEP 29

7  4pcs
Ø15x9mm




STEP 30

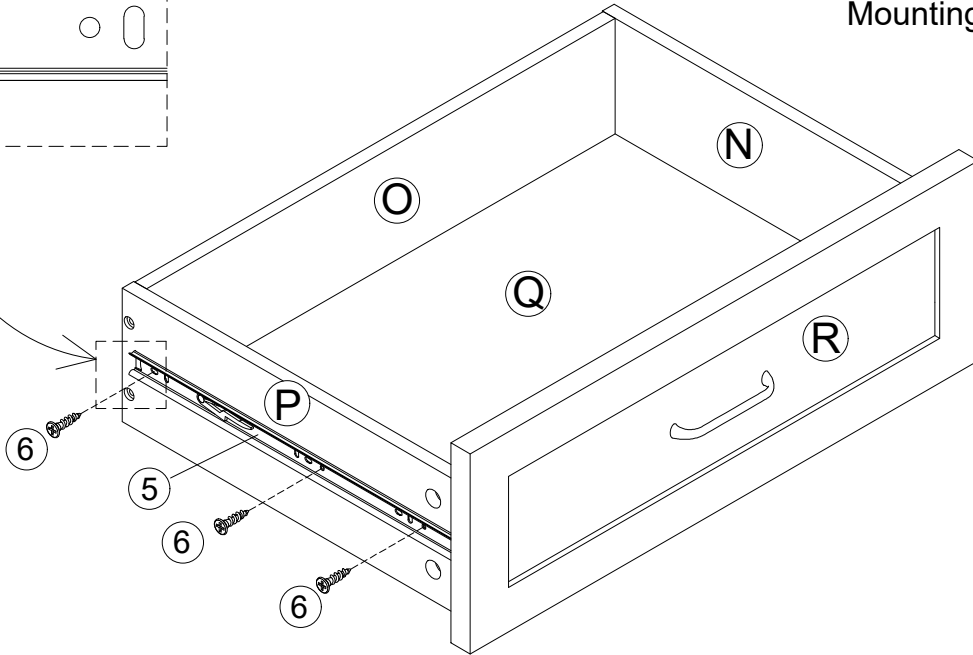
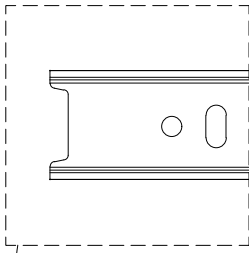
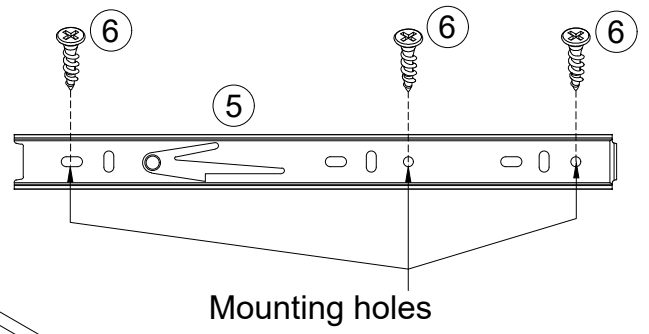
17  2pcs 5/32"x18mm
18  1pc



STEP 31


5  1pc

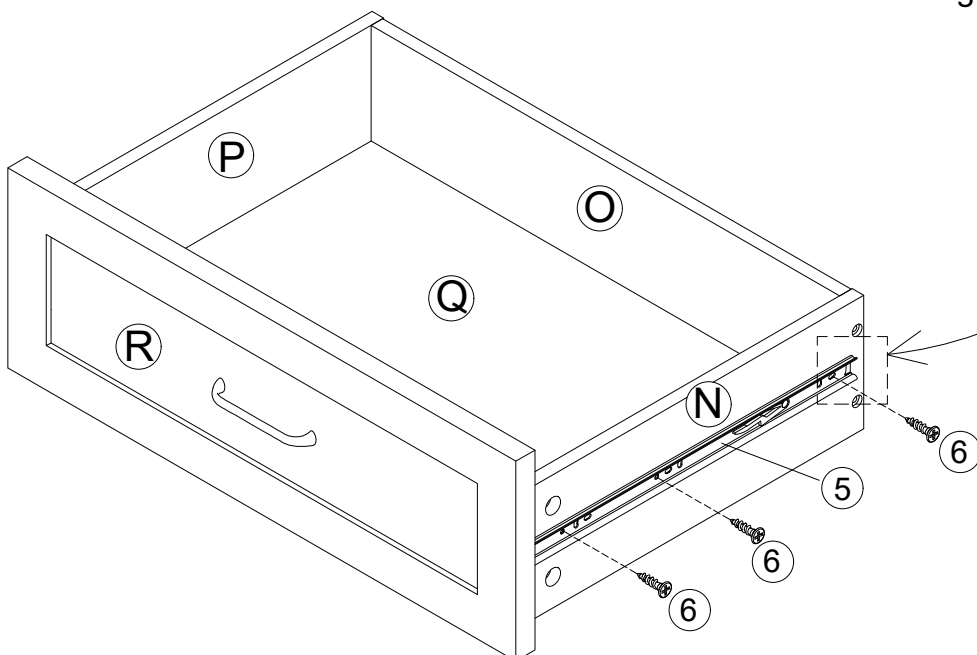
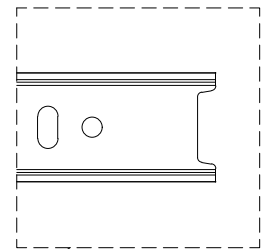
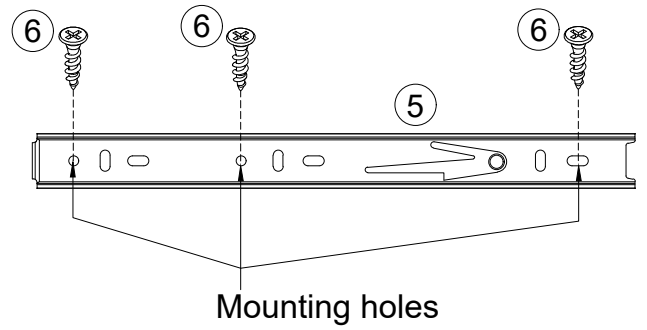
6  3pcs
Ø3x10mm



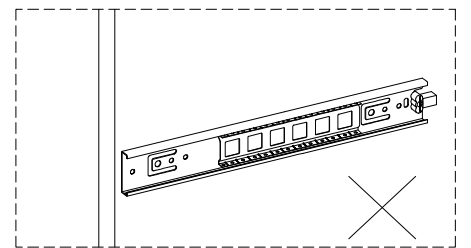
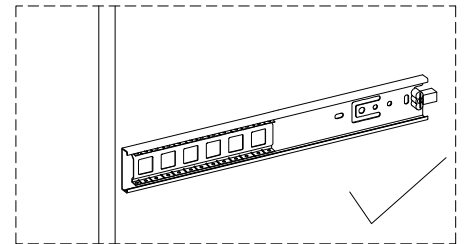
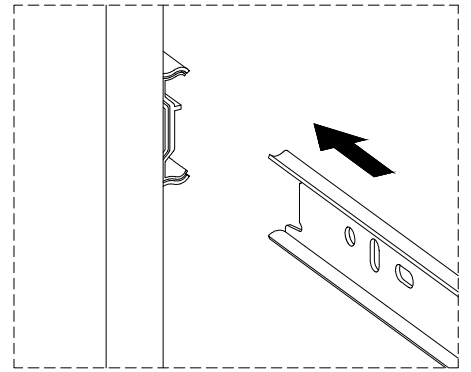
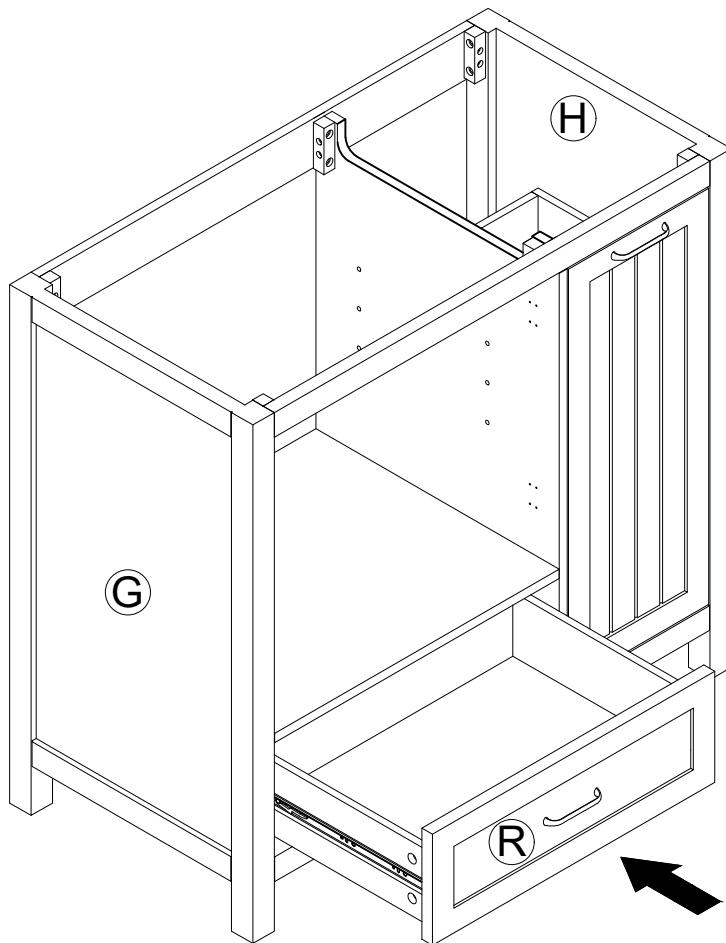
STEP 32

5  1pc

6  3pcs
Ø3x10mm

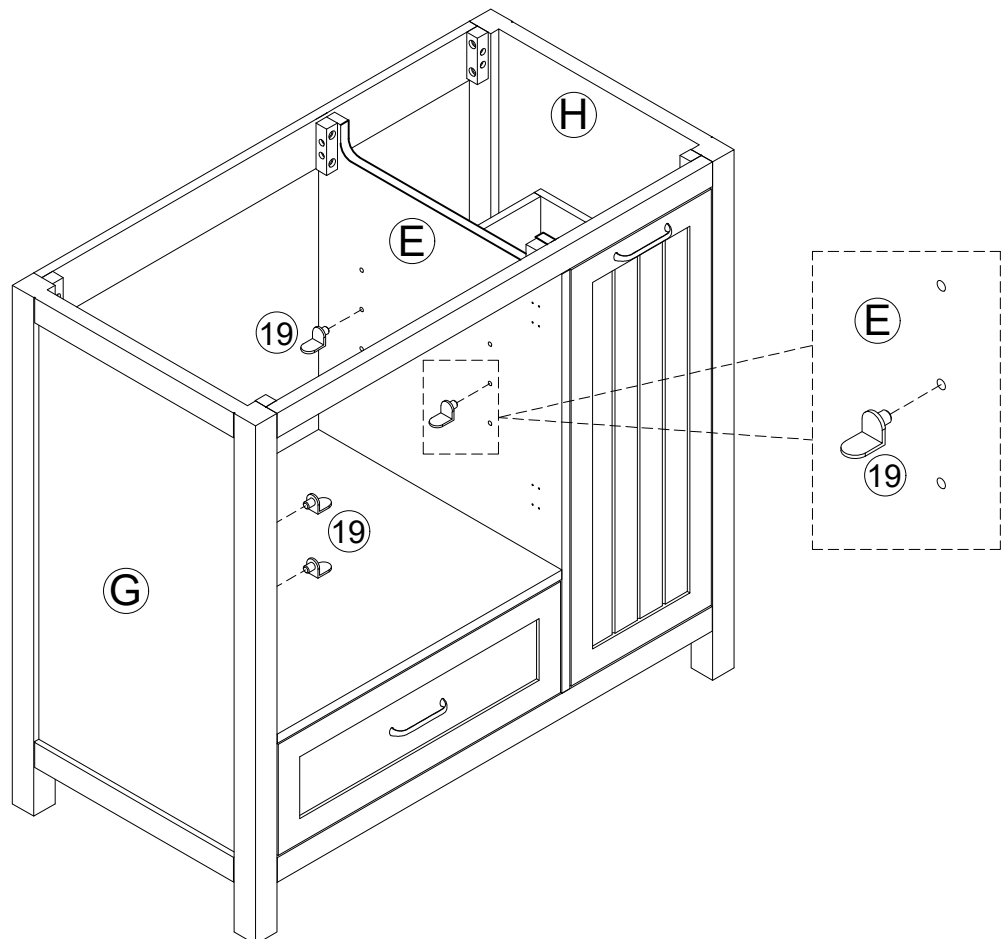


STEP 33

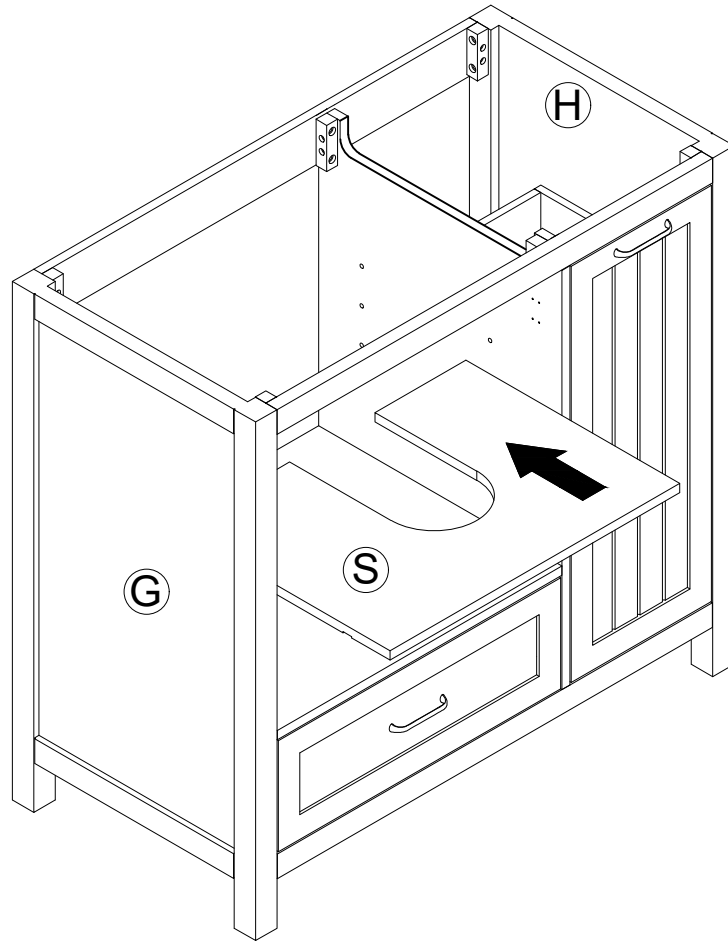


STEP 34

- ①⑨ 4pcs

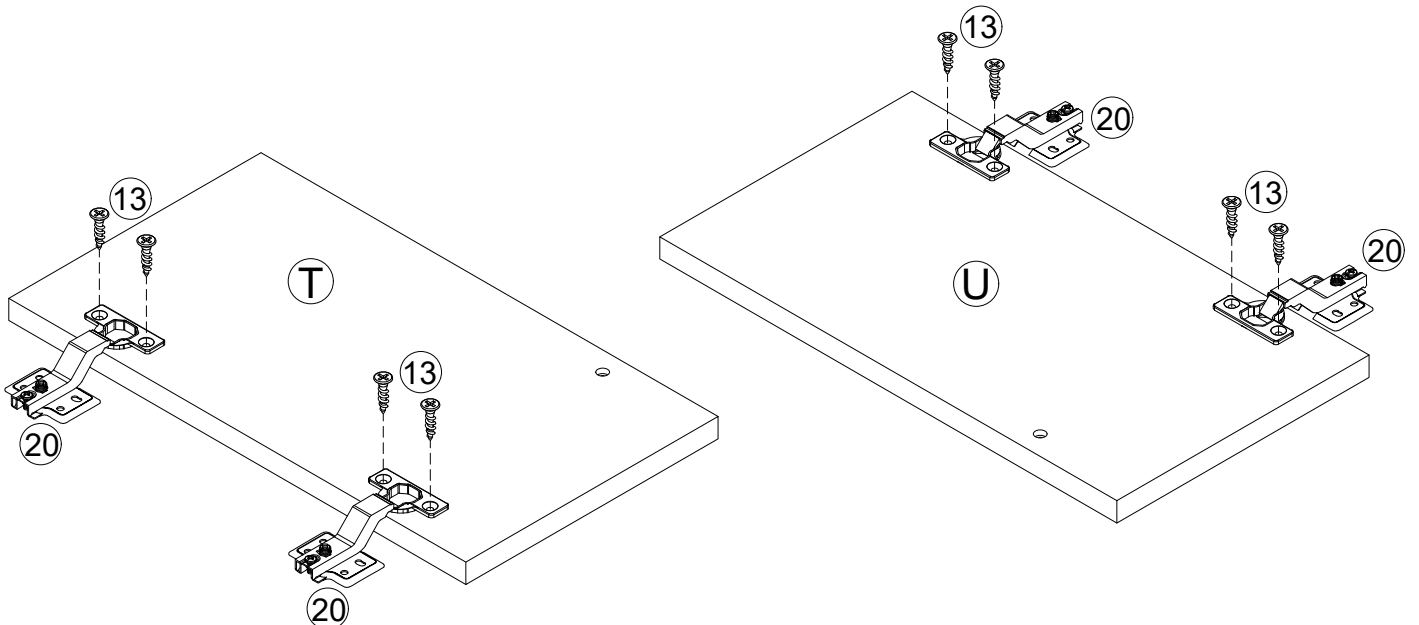
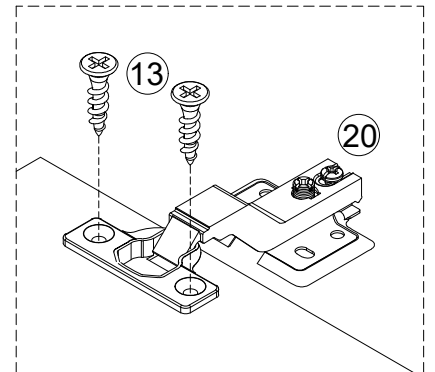


STEP 35



STEP 36

- ⑬  8pcs Ø4x12mm
- ⑳  4pcs

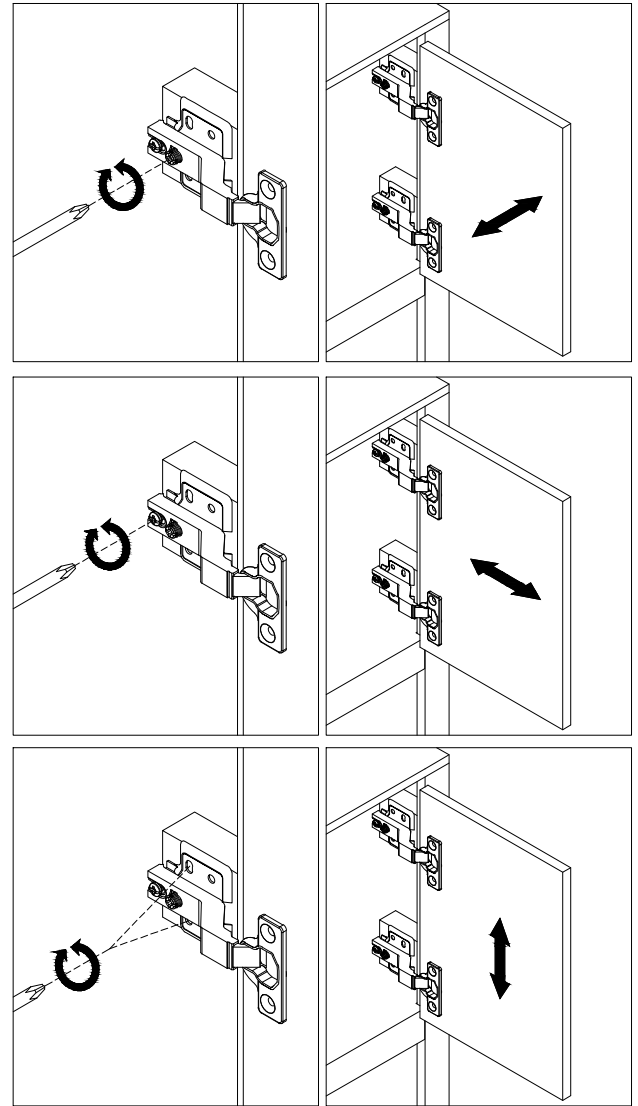
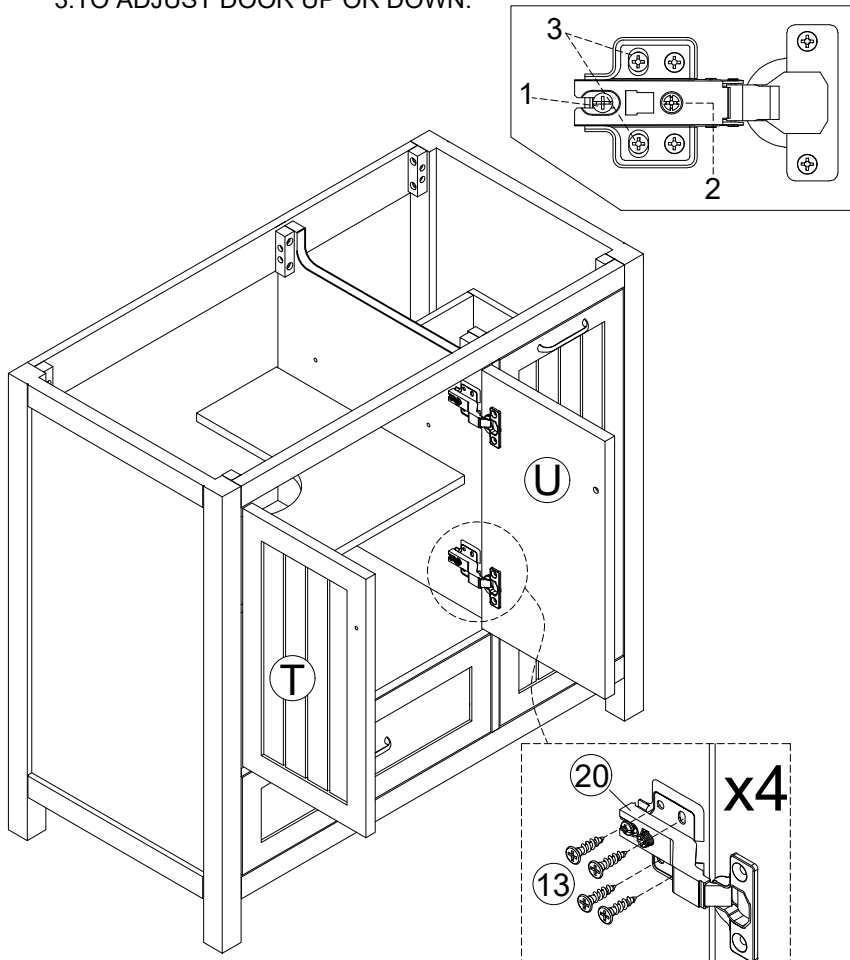


STEP 37


- ⑬  16pcs
Ø4x12mm

Three-way adjustable hinge for perfectly aligned doors

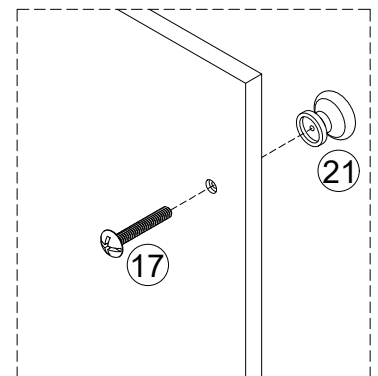
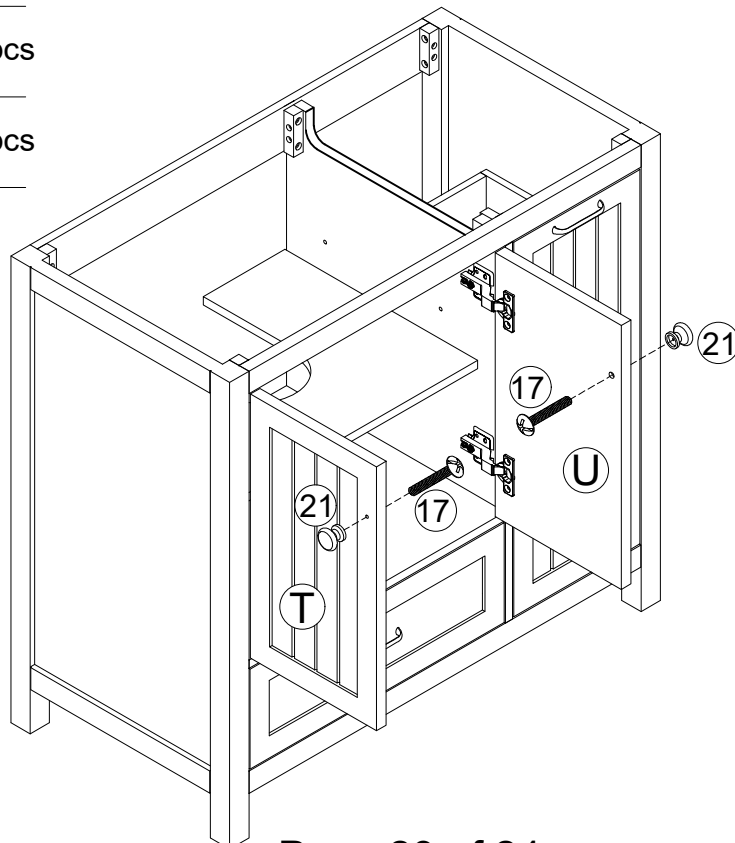
1. TO ADJUST DOOR FORWARD OR BACKWARD.
2. TO ADJUST DOOR TO RIGHT OR TO LEFT.
3. TO ADJUST DOOR UP OR DOWN.



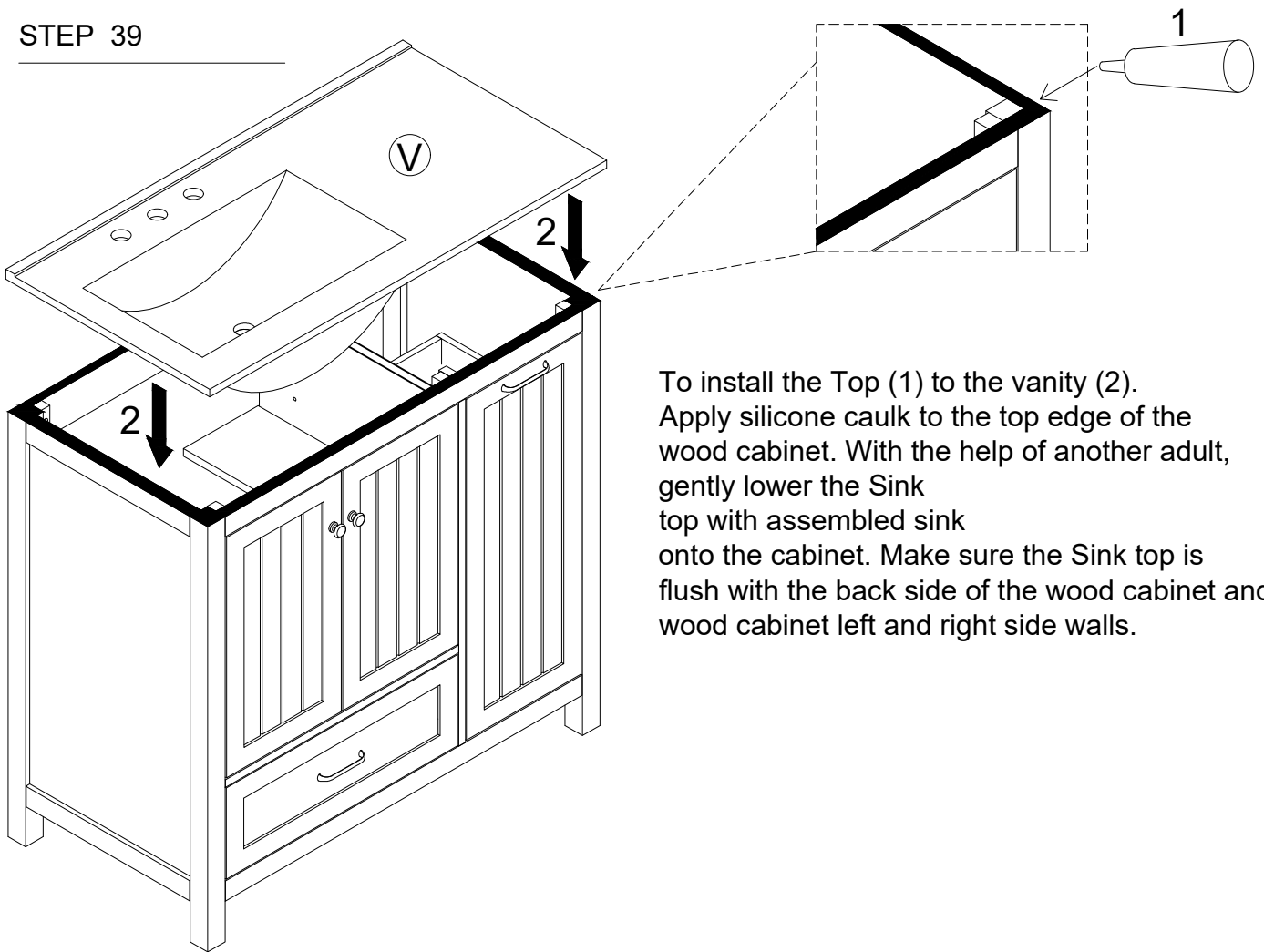
STEP 38

- ⑰  2pcs
5/32"x18mm

- ⑳  2pcs



STEP 39



To install the Top (1) to the vanity (2). Apply silicone caulk to the top edge of the wood cabinet. With the help of another adult, gently lower the Sink top with assembled sink onto the cabinet. Make sure the Sink top is flush with the back side of the wood cabinet and the wood cabinet left and right side walls.

STEP 40

