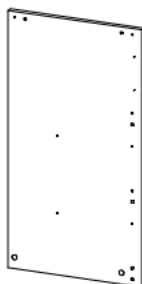


Ax1



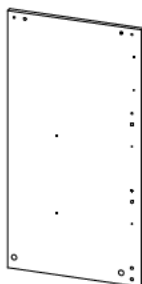
Bx1



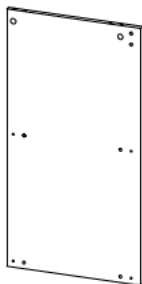
Cx1



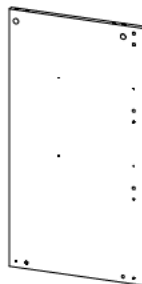
Dx1



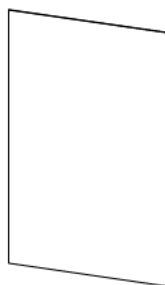
Ex1



Fx1



Gx1



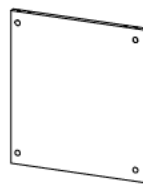
$\frac{734 \times 471.5}{28.9 \times 18.6}$

Hx1



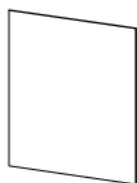
$\frac{734 \times 349}{28.9 \times 13.7}$

lx1



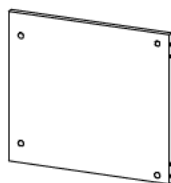
$\frac{442.5 \times 400}{17.4 \times 15.7}$

Jx2



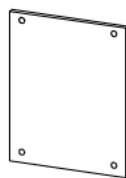
$\frac{416.5 \times 350}{16.4 \times 13.8}$

Kx2



$\frac{442.5 \times 400}{17.4 \times 15.7}$

Lx1



$\frac{400 \times 320}{15.7 \times 12.6}$

Mx1



$\frac{472.5 \times 260}{18.6 \times 10.2}$

Nx1



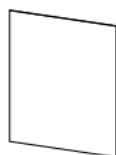
$\frac{472.5 \times 200}{18.6 \times 7.9}$

Ox2



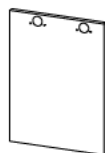
$\frac{350 \times 200}{13.8 \times 7.9}$

Px2



$\frac{350 \times 294}{13.8 \times 11.6}$

Qx2



$\frac{350 \times 260}{13.8 \times 10.2}$

Rx1



Sx1



$\frac{442.5 \times 70}{17.4 \times 2.8}$

Tx1



$\frac{442.5 \times 70}{17.4 \times 2.8}$

Ux2



Vx1



$\frac{416.5 \times 90}{16.4 \times 3.5}$

Wx2



335x90  
13.2x3.5  
Xx8



320x70  
12.6x2.8  
Yx1



320x70  
12.6x2.8  
Zx2



294x90  
11.6x3.5  
AAx2



CRx4



CLx4



DLx4



DRx4



BBx71



CCx71



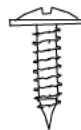
DDx53



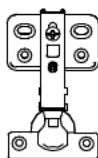
EEx4



FFx102



GGx4



Hx4



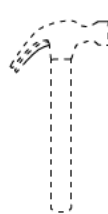
M3.5x $\frac{12}{0.6}$

IIx48



M3.5x $\frac{15}{0.6}$

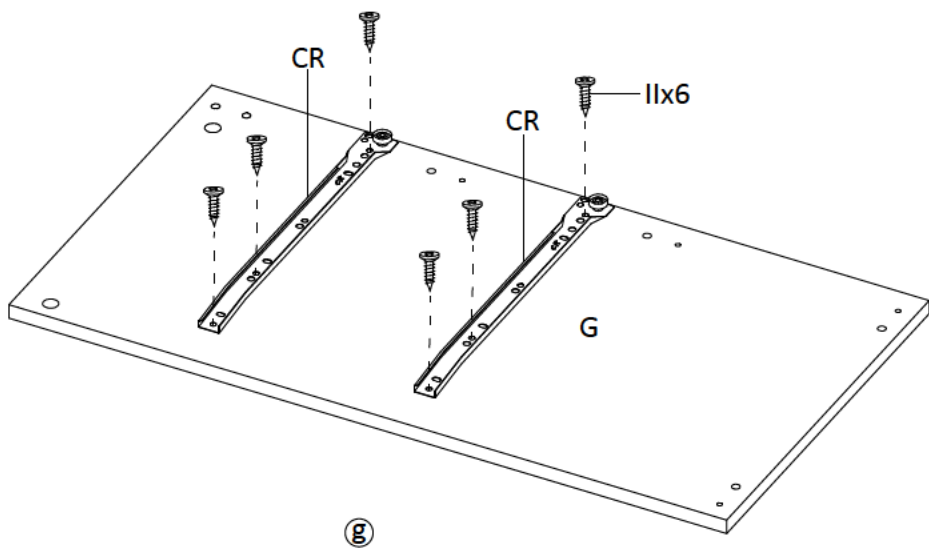
JJx24



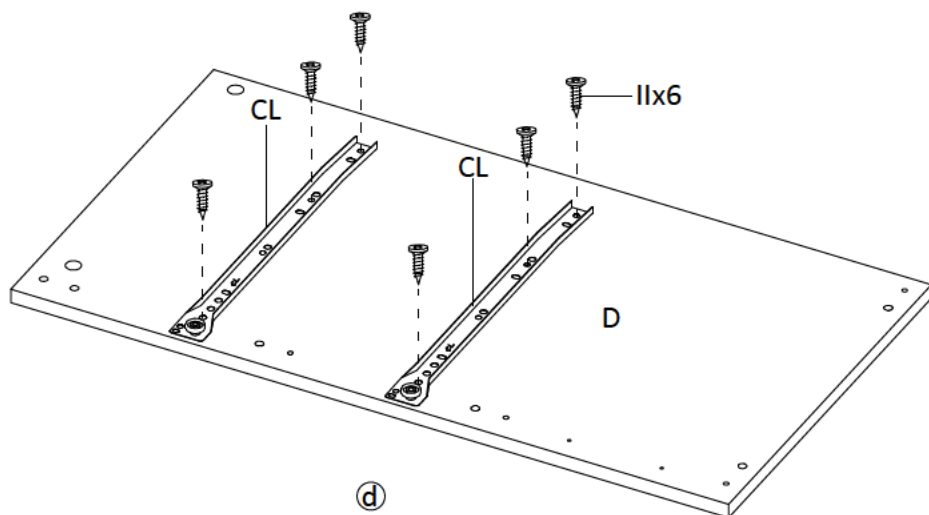
mm  
inch

x2

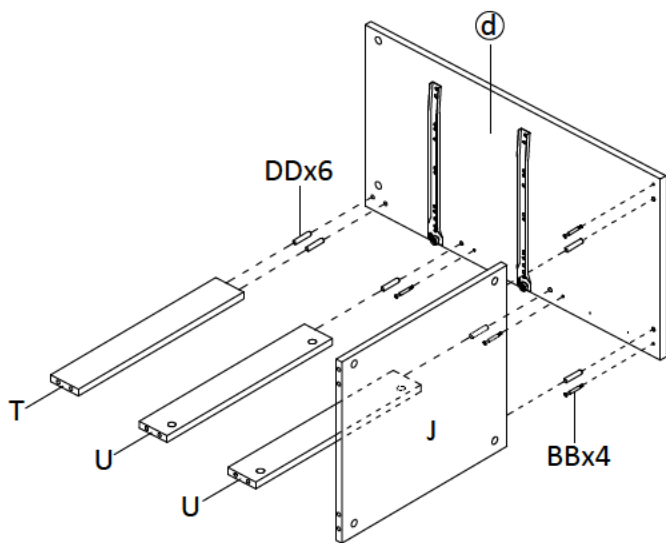
1



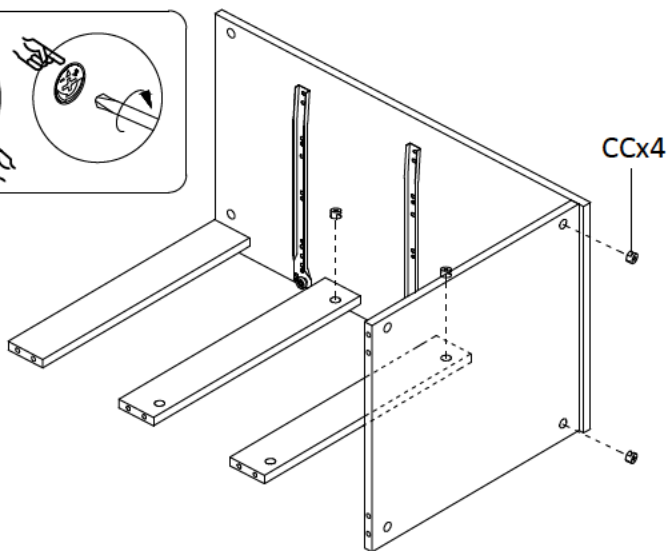
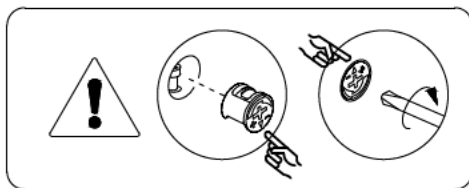
2



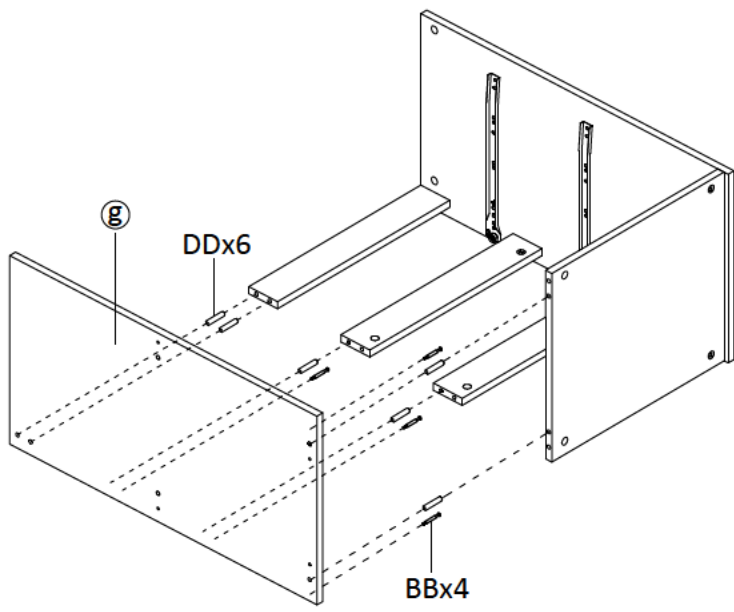
3



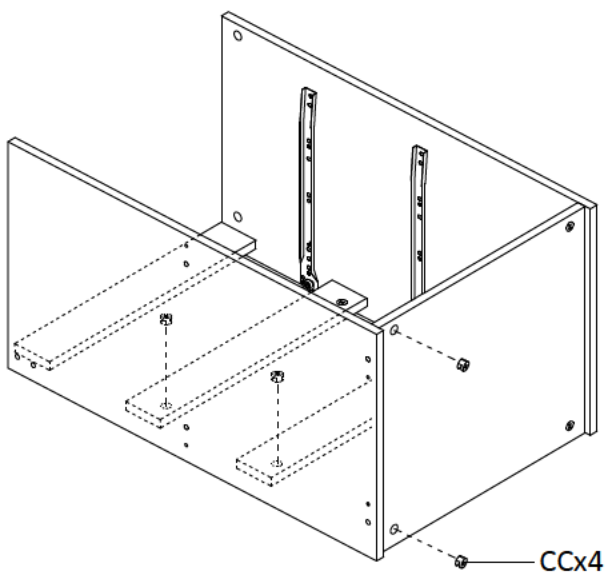
4



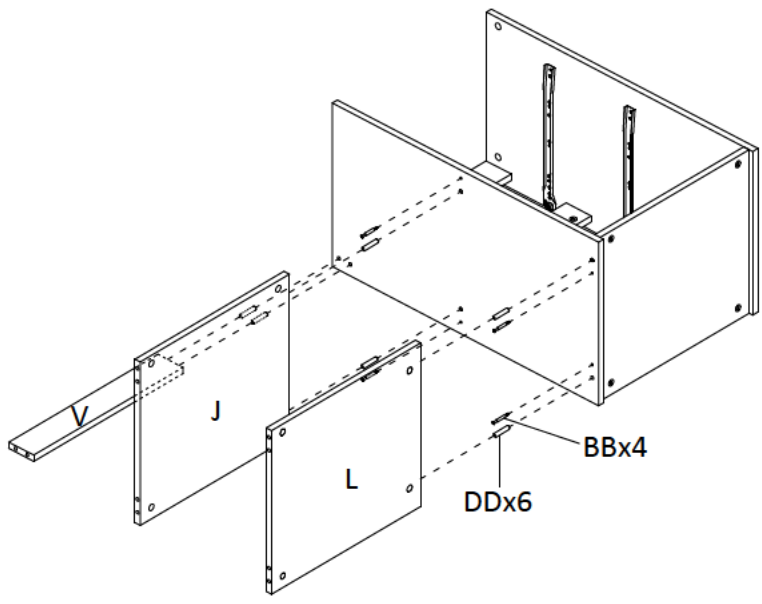
5



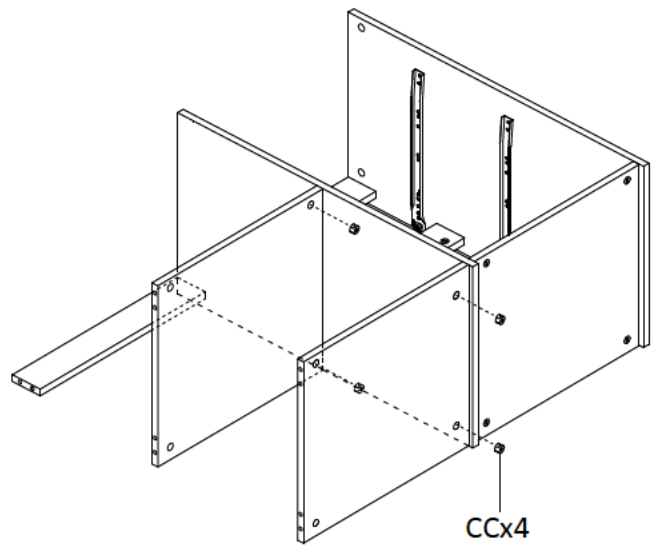
6



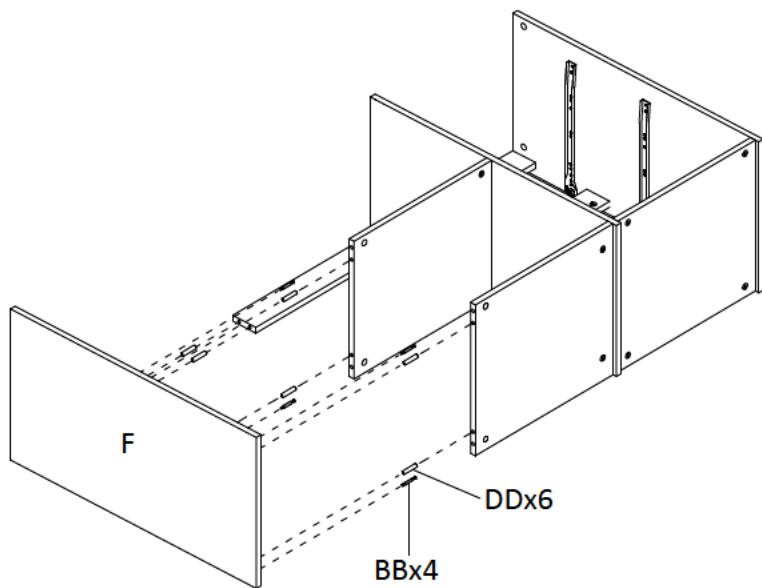
7



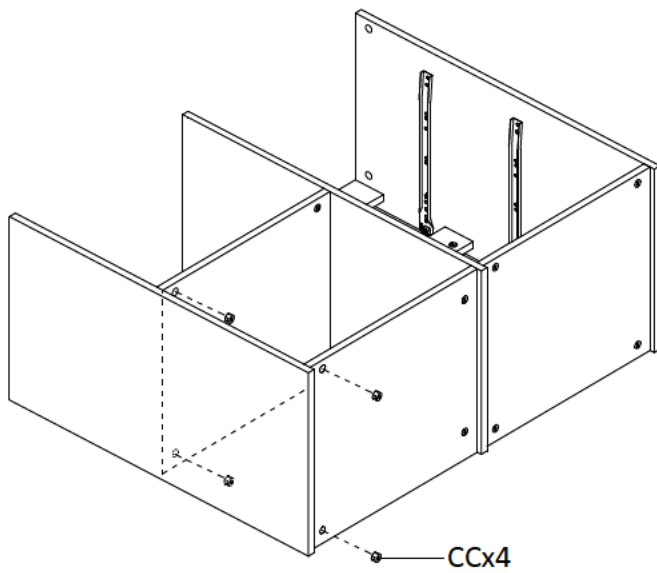
8



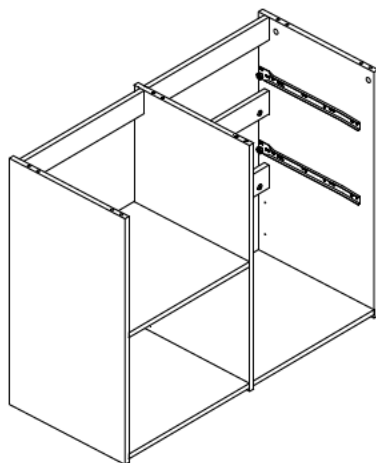
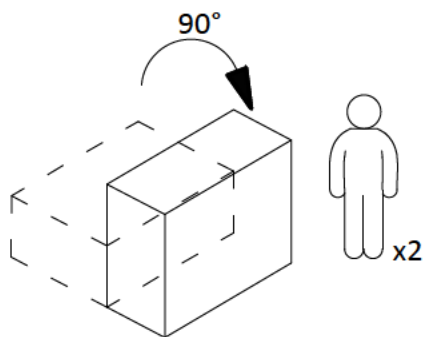
9



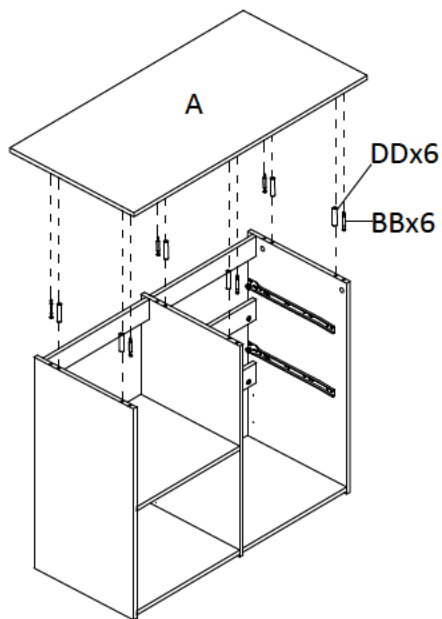
10



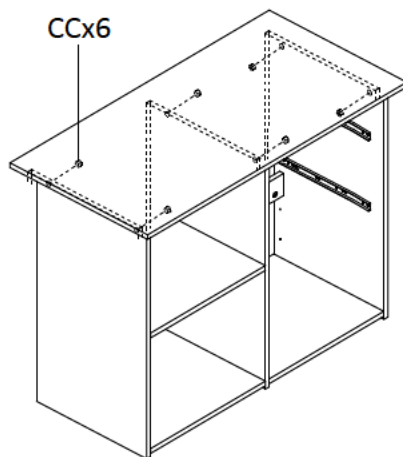
11



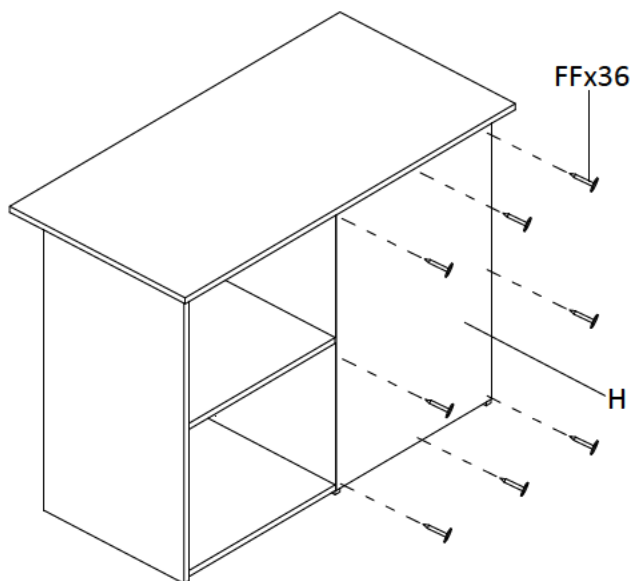
12



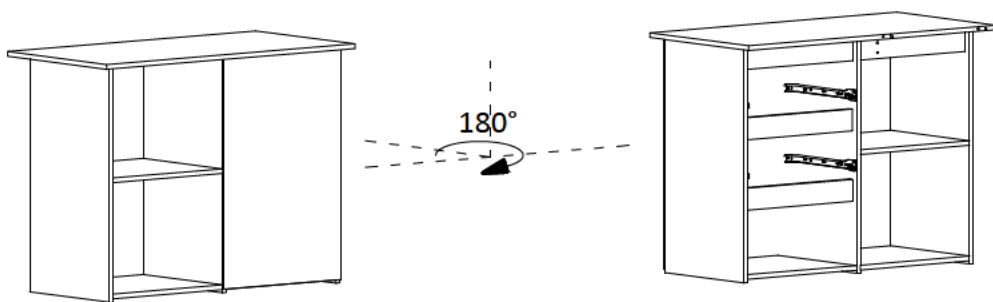
13



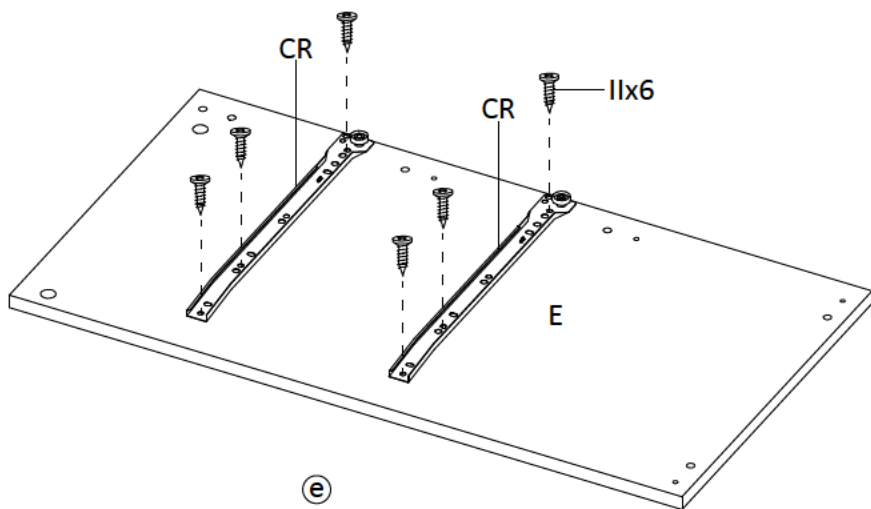
14



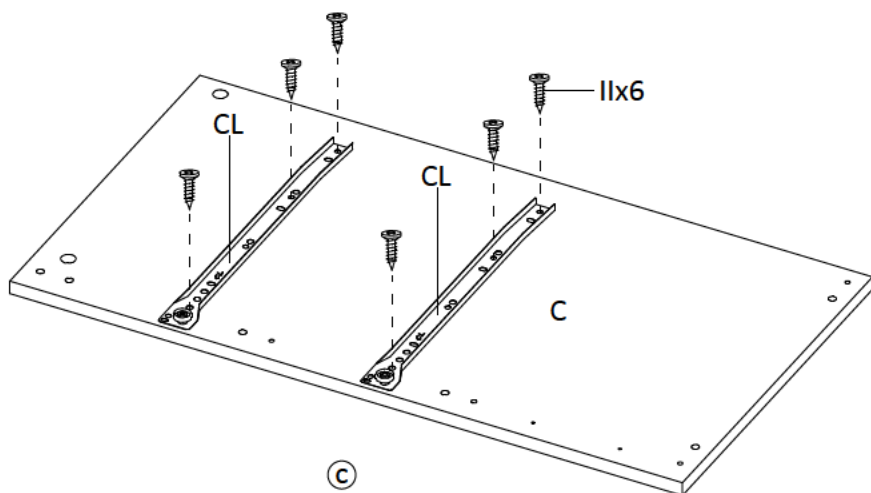
15



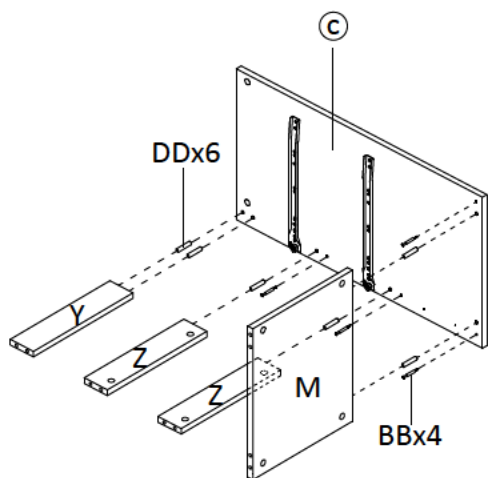
16



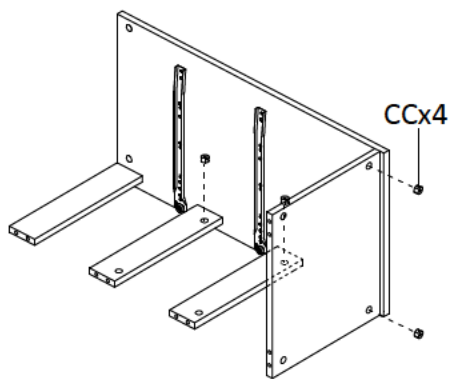
17



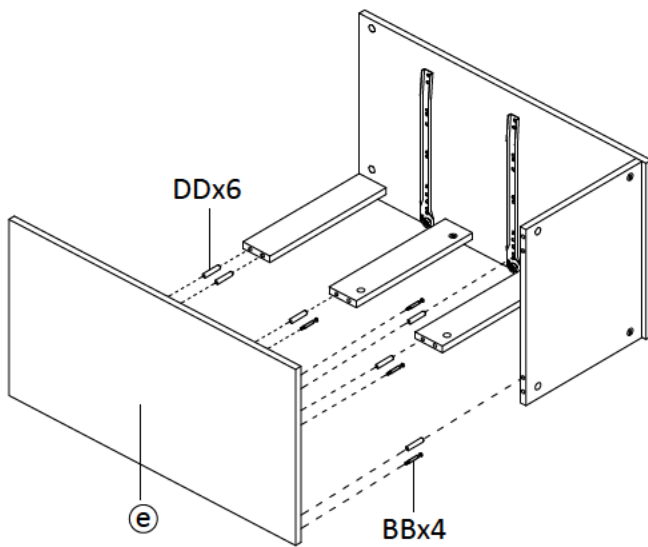
18



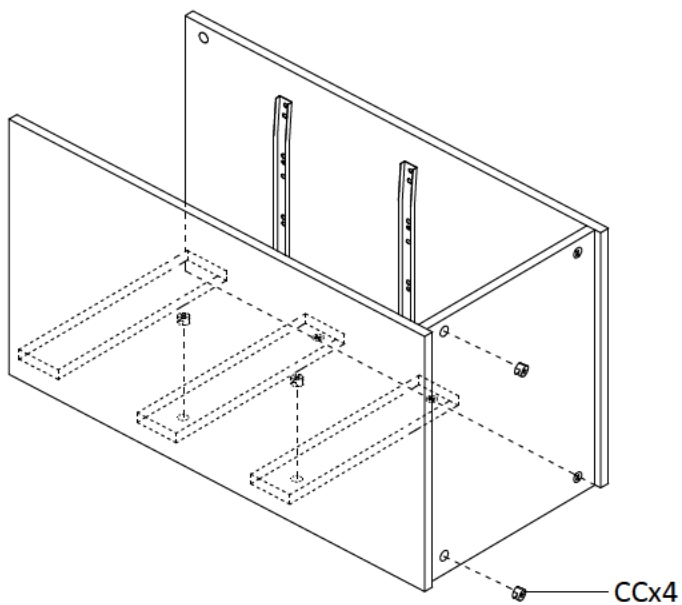
19



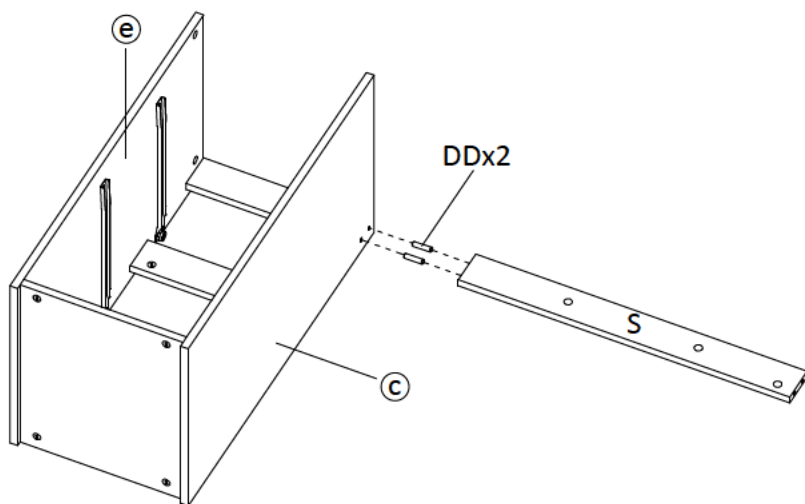
20



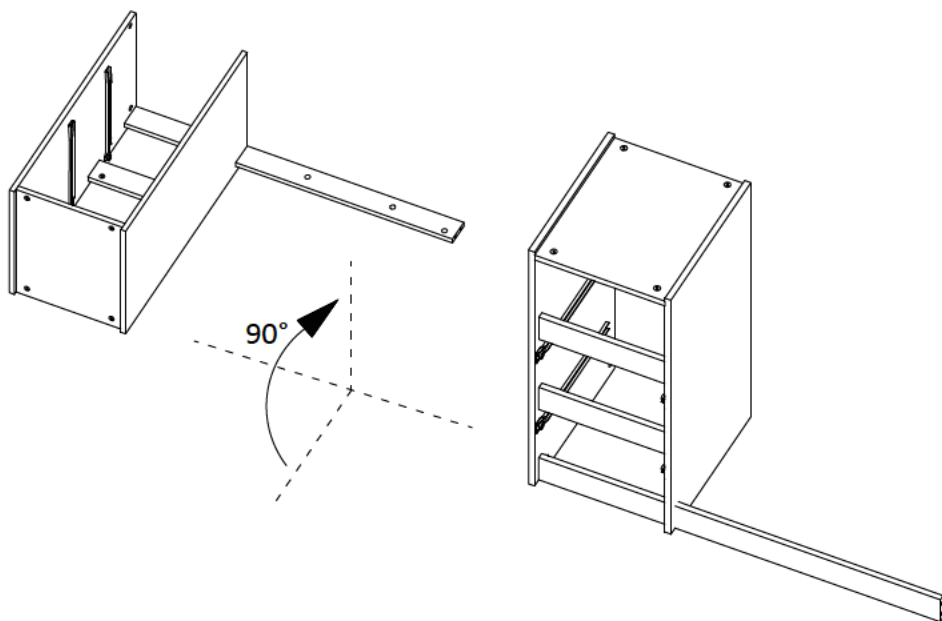
21



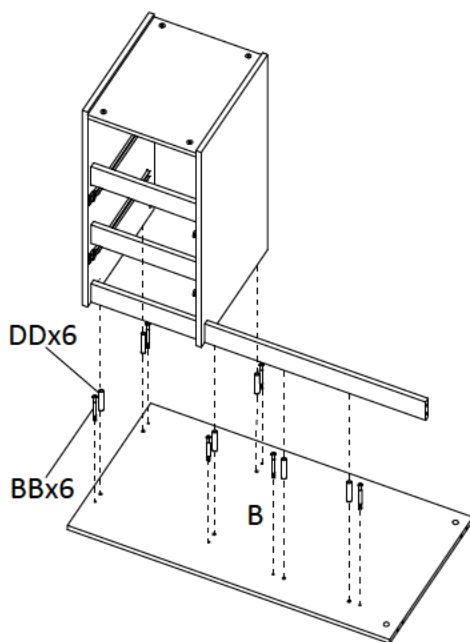
22



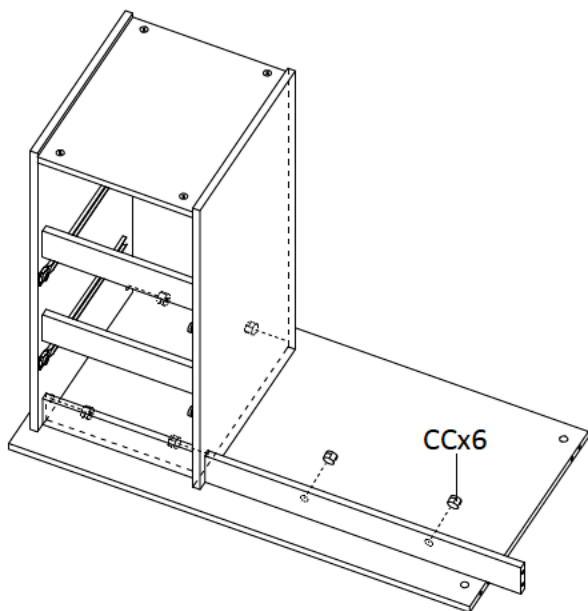
23



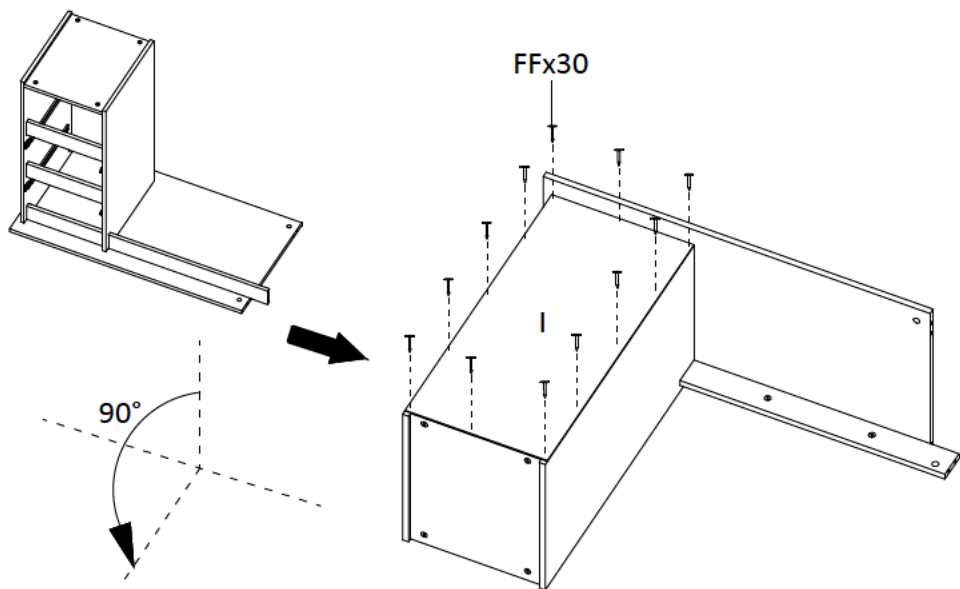
24



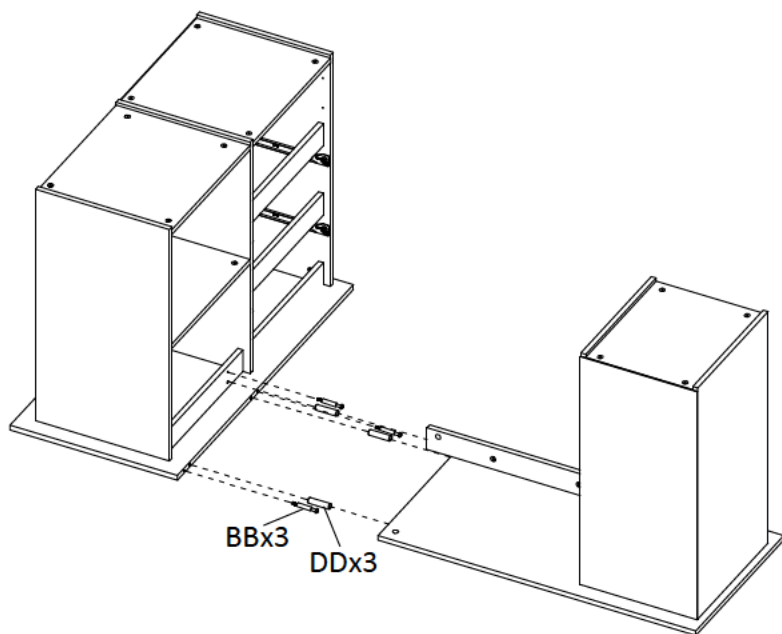
25



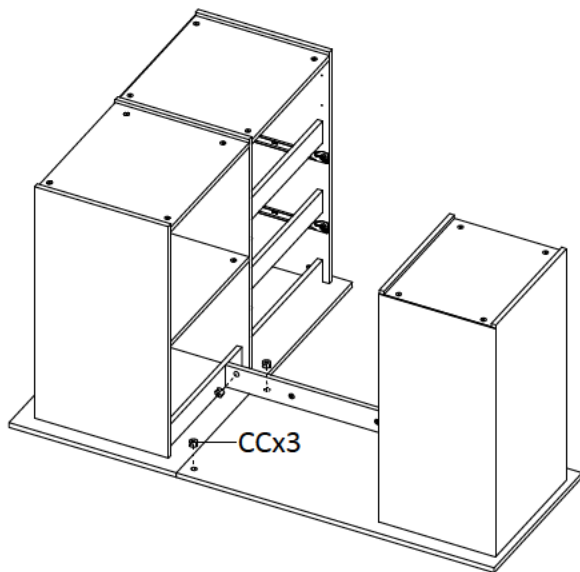
26



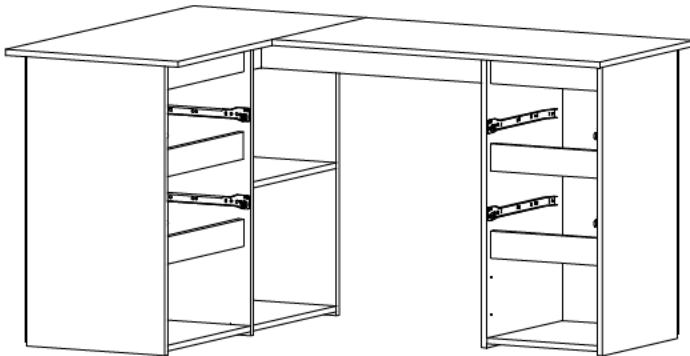
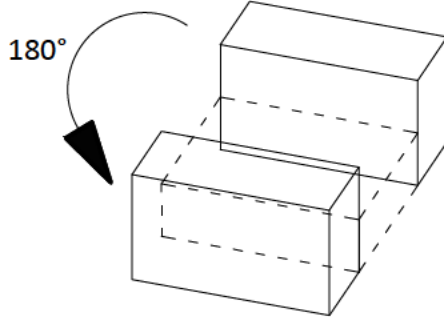
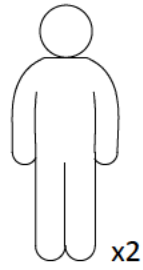
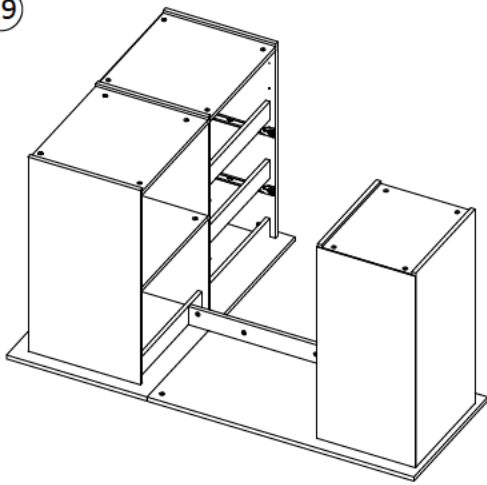
27



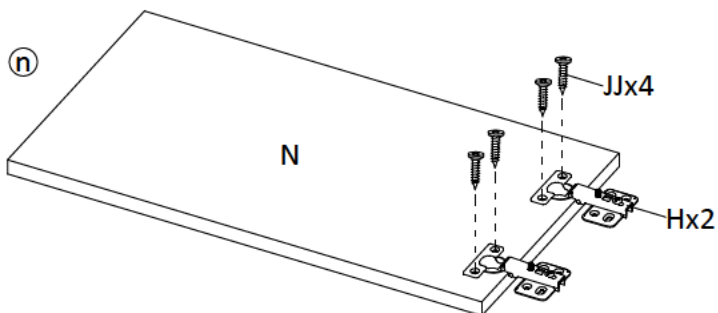
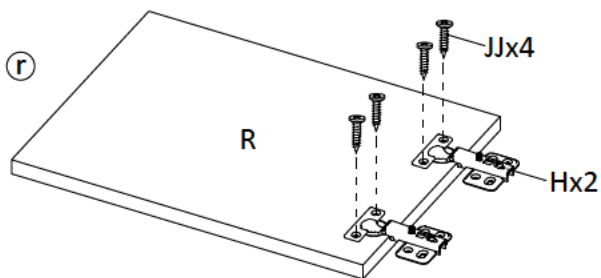
28



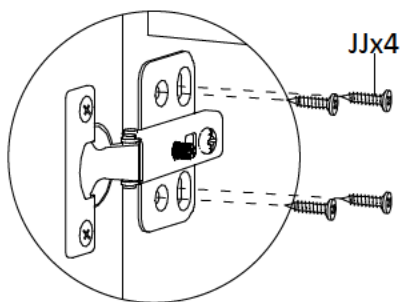
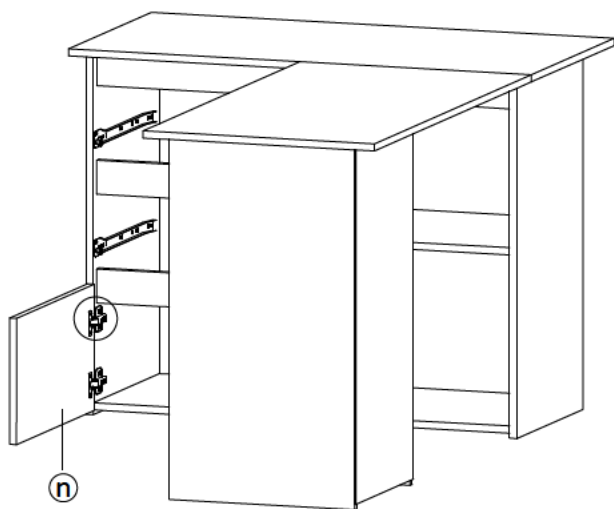
29



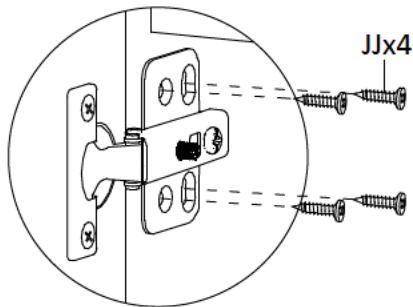
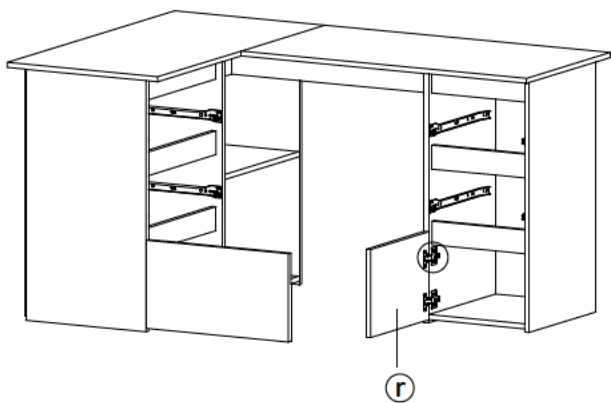
30



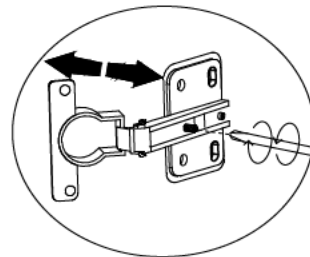
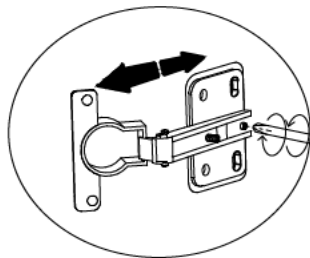
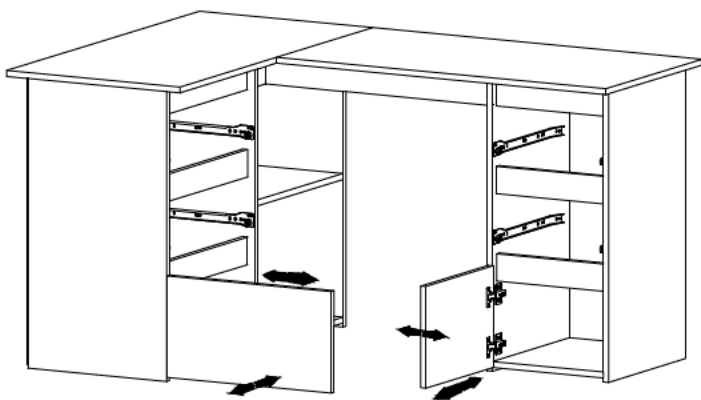
31



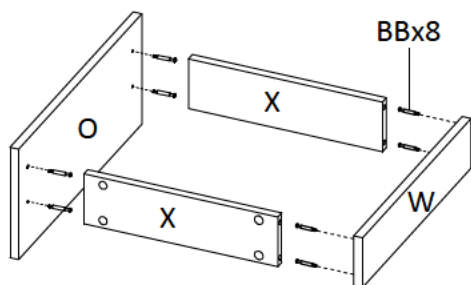
32



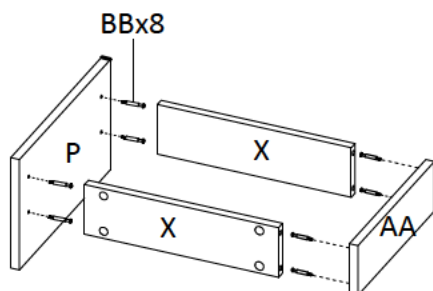
33



34

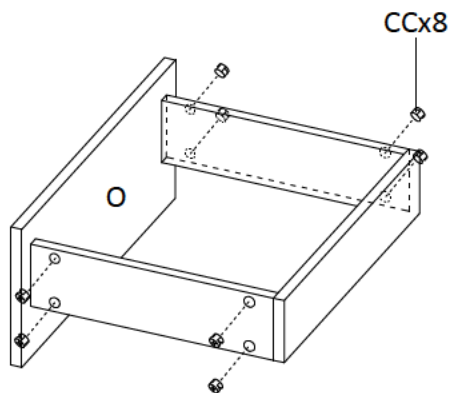


x2

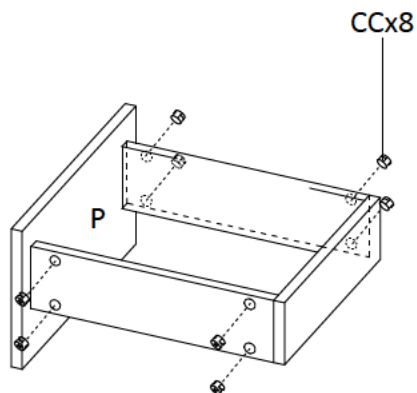


x2

35

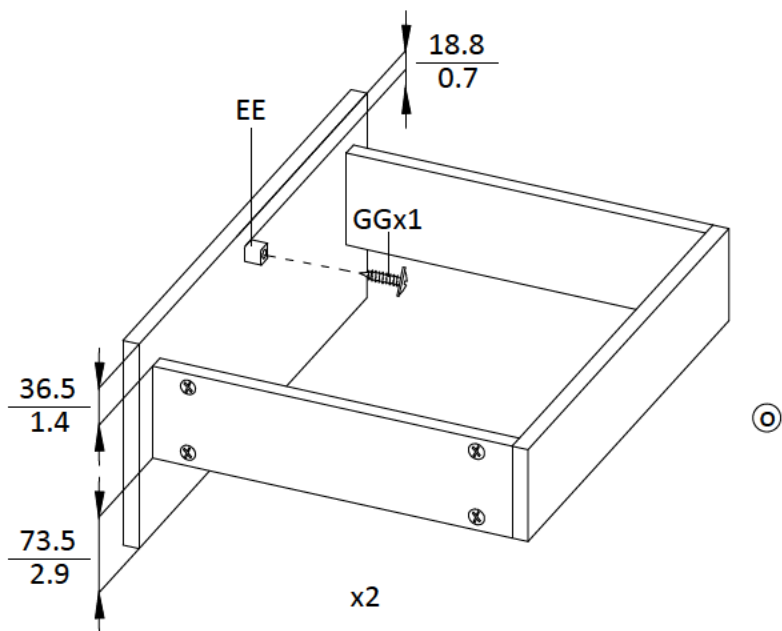


x2

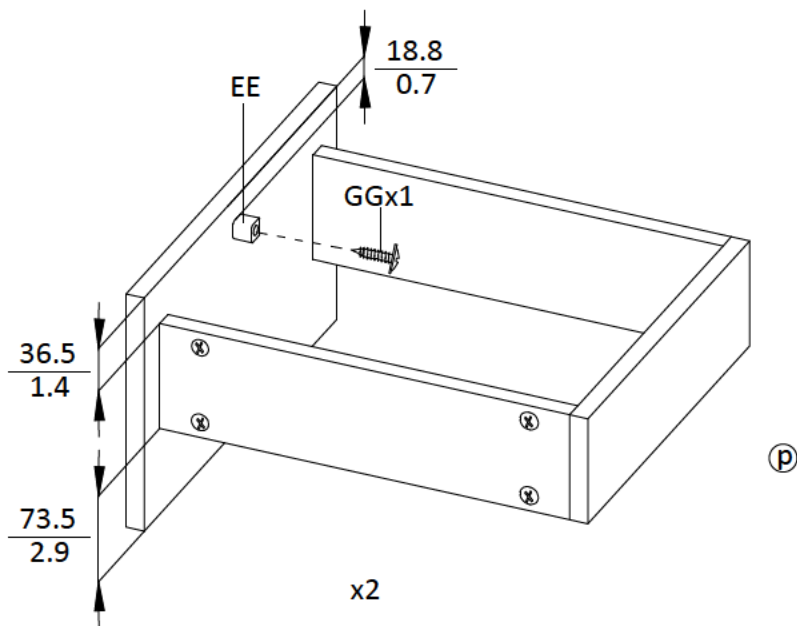


x2

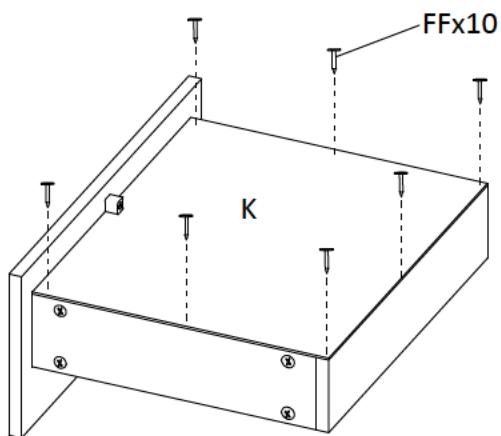
36



37

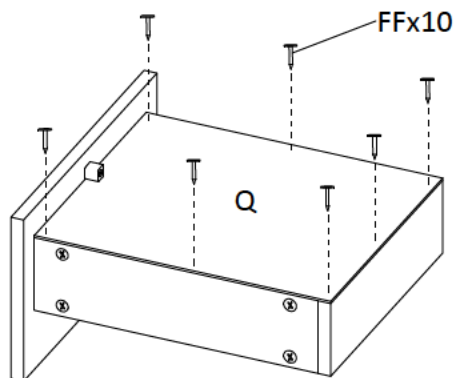


38



o

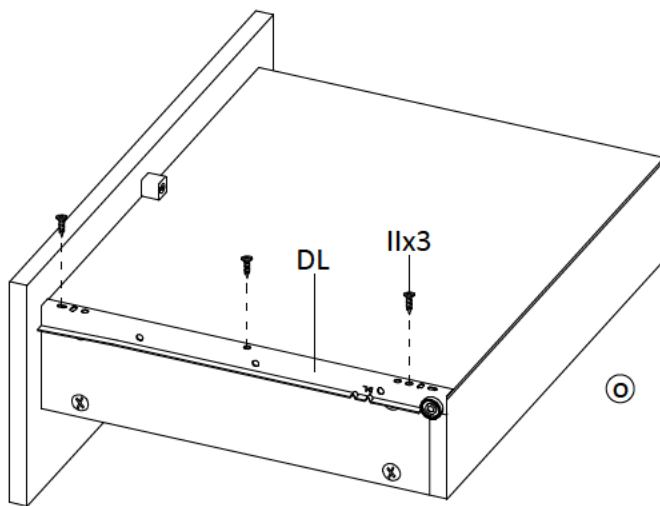
x2



p

x2

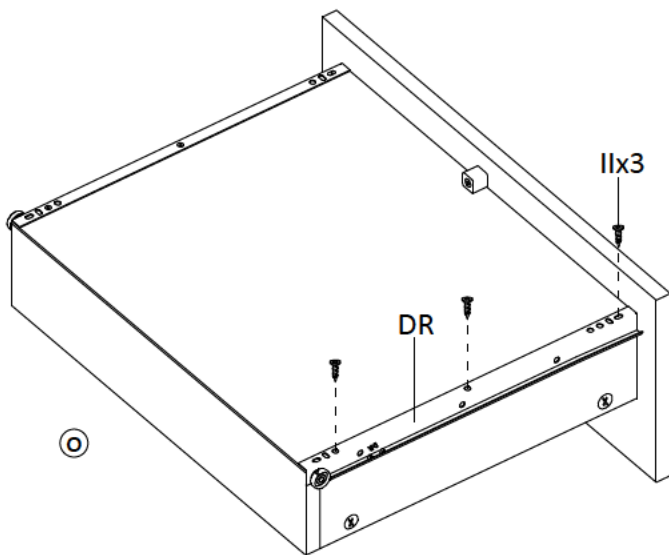
39



o

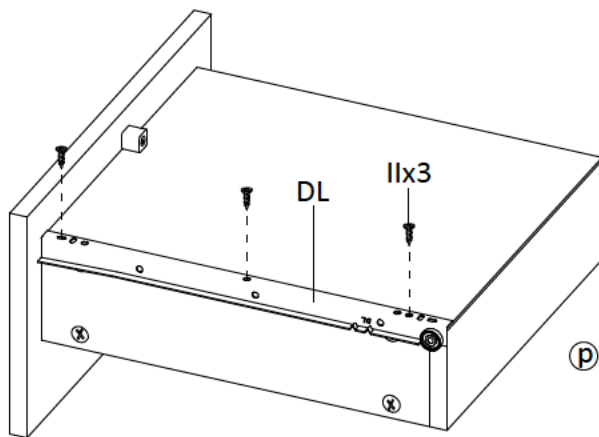
x2

40



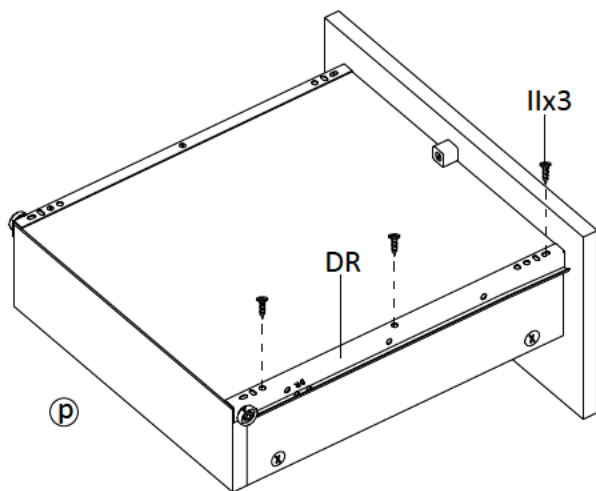
x2

41



x2

42



x2

43

