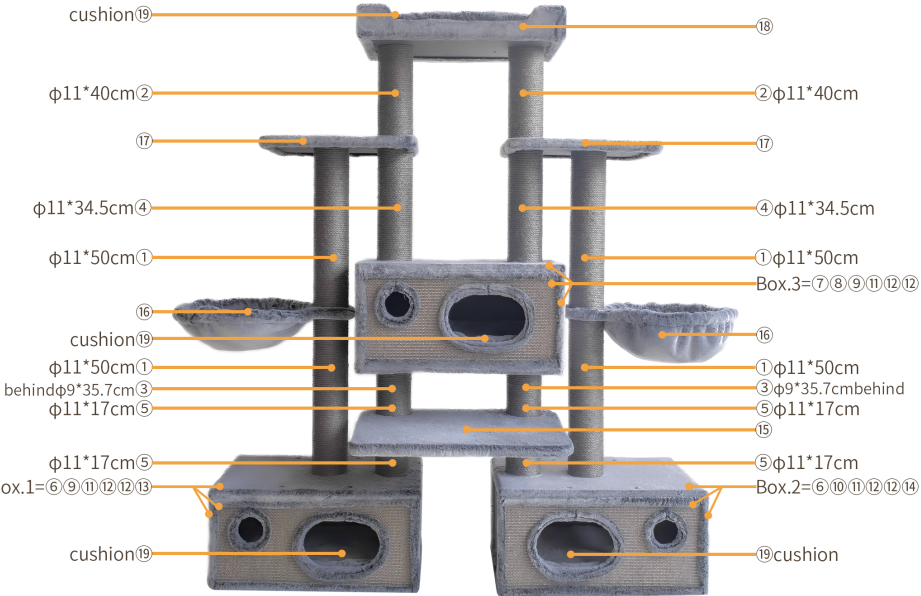
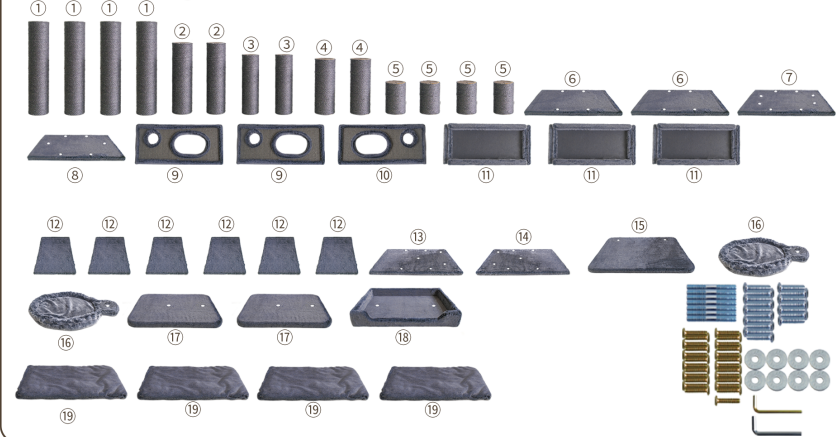


Color is only for reference



Please arrange all the parts in serial number as follows



### Components List

Parts	Size	Qty	S/N	Box
	φ11*50cm	4	①	3/3
	φ11*40cm	2	②	
	φ9*35.7cm	2	③	
	φ11*34.5cm	2	④	
	φ11*17cm	4	⑤	
	60*40cm	2	⑥	2/3
	60*40cm	1	⑦	
	60*40cm	1	⑧	1/3
	60*27cm	2	⑨	
	60*27cm	1	⑩	
	60*27cm	3	⑪	
	37*27cm	6	⑫	
	60*40cm	1	⑬	
	60*40cm	1	⑭	
	60*50cm	1	⑮	1/3
	φ45cm	2	⑯	3/3
	45*40cm	2	⑰	
	60*40*8cm	1	⑱	2/3
	58*38cm	4	⑲	1/3

### Screw list 1:1

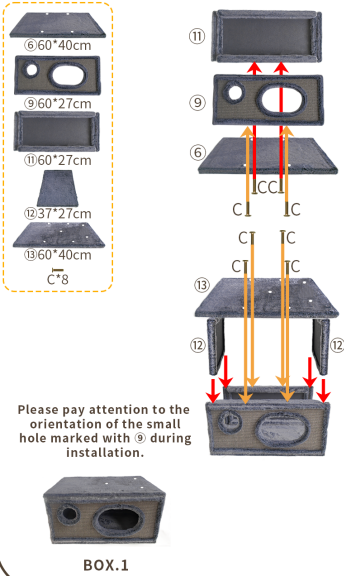
Size	scale	Qty	S/N	Box
φ10*80mm	1:1	6+1	A	1/3
φ10*40mm	1:1	16+1	B	1/3
φ8*35mm	1:1	24+1	C	1/3
φ35mm	1:1	8	D	1/3



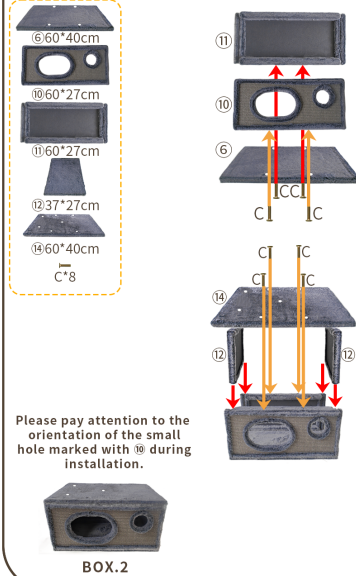


## Assembly Manual

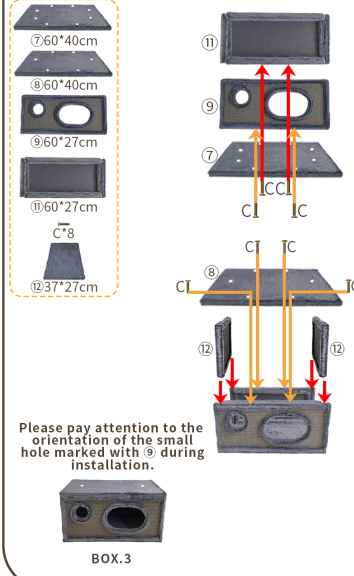
### 1 Step1



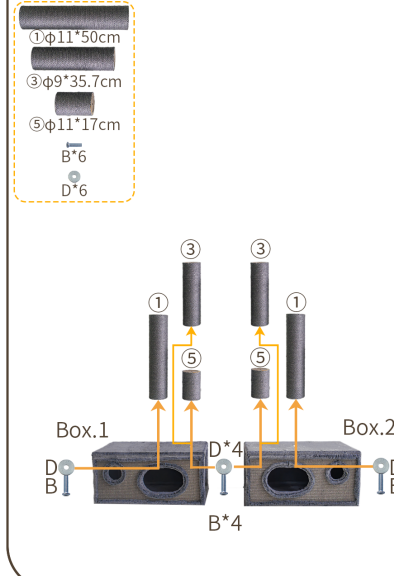
### 2 Step2



### 3 Step3



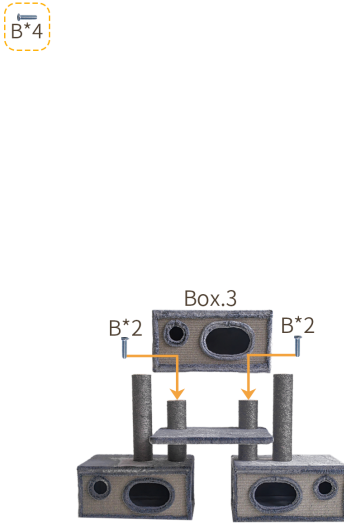
### 4 Step4



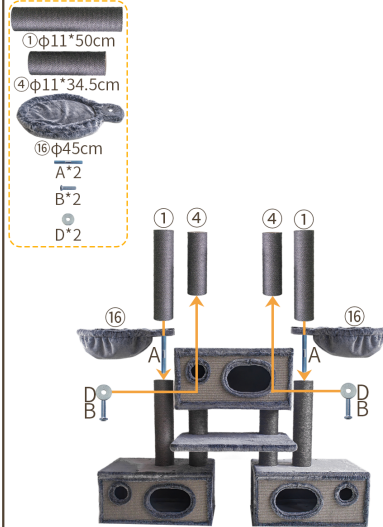
### 5 Step5



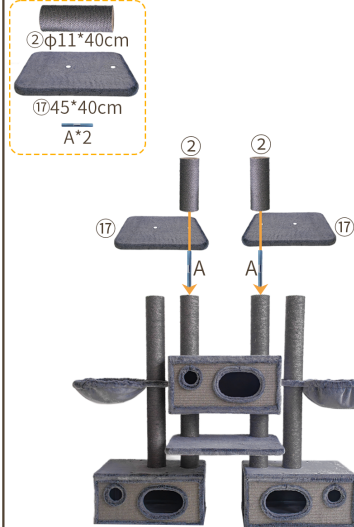
### 6 Step6



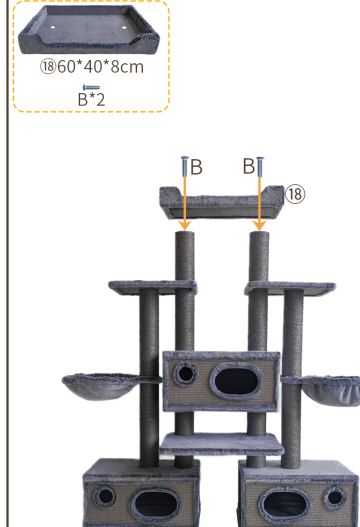
### 7 Step7



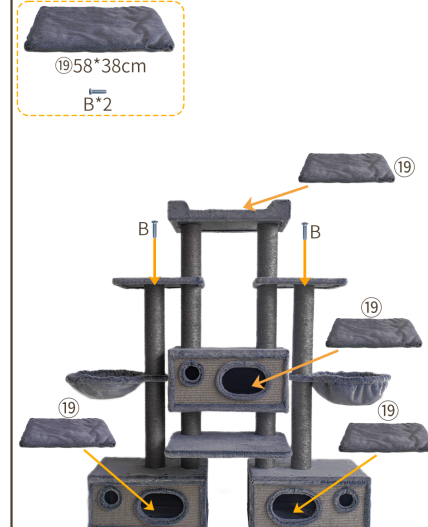
### 8 Step8




### 9 Step9



### 10 Step10



• A  φ10\*80mm

• B  φ10\*40mm

• C  φ8\*35mm

• D  φ35mm