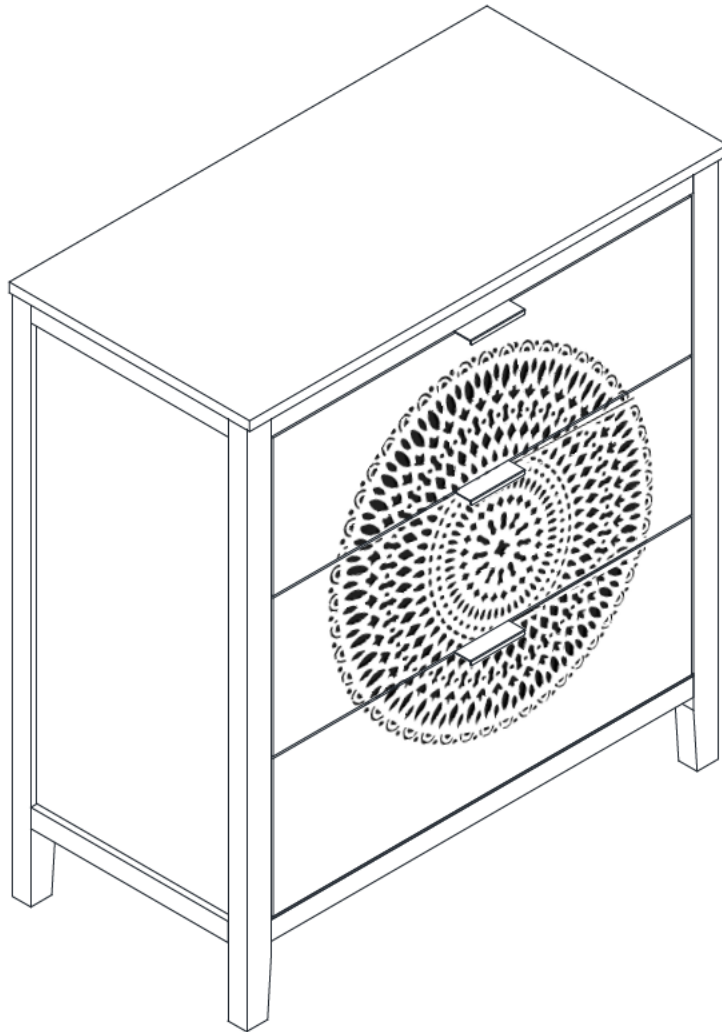


Installation Instruction



Product Name

3 Drawer Cabinet

Assembling

What you need

Use the packaging carton as a working surface to prevent product damage during assembly

Phillips head screwdriver



Weight Limitation



What's included

Code	Description	Qty
A	Bolt M6X35MM	8
B	Screw Φ 4x30mm	4
C	Screw Φ 3x16mm	8
D	Screw Φ 4x16mm	6
E	Handle	3
F	Metal Washer	8
G	Cam Lock 15X10MM	17
H	Allen Key	1
I	Plastic Corner Support	8
J	Screw Φ 4x35mm	17
K	Nylon Strap	2
L	Screw M4X12MM	2
M	Anchor M6X30MM	2
N	Cam Bolt M6X35MM	17
O	Wooden Dowel M6X30MM	4

The Hardwares

A



B



C



D



E



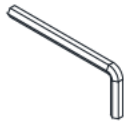
F



G



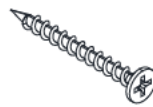
H



I



J



K



L



M



N



O



IMPORTANT:

1. Do not tighten bolts / screws completely until all bolts / screws are lined up and inserted into holes.
2. Do not over tighten screws and bolts to avoid stripping.
3. Please use hand tools to assemble this product. Do not use power tools.
4. Must need 2 people to assemble this product.

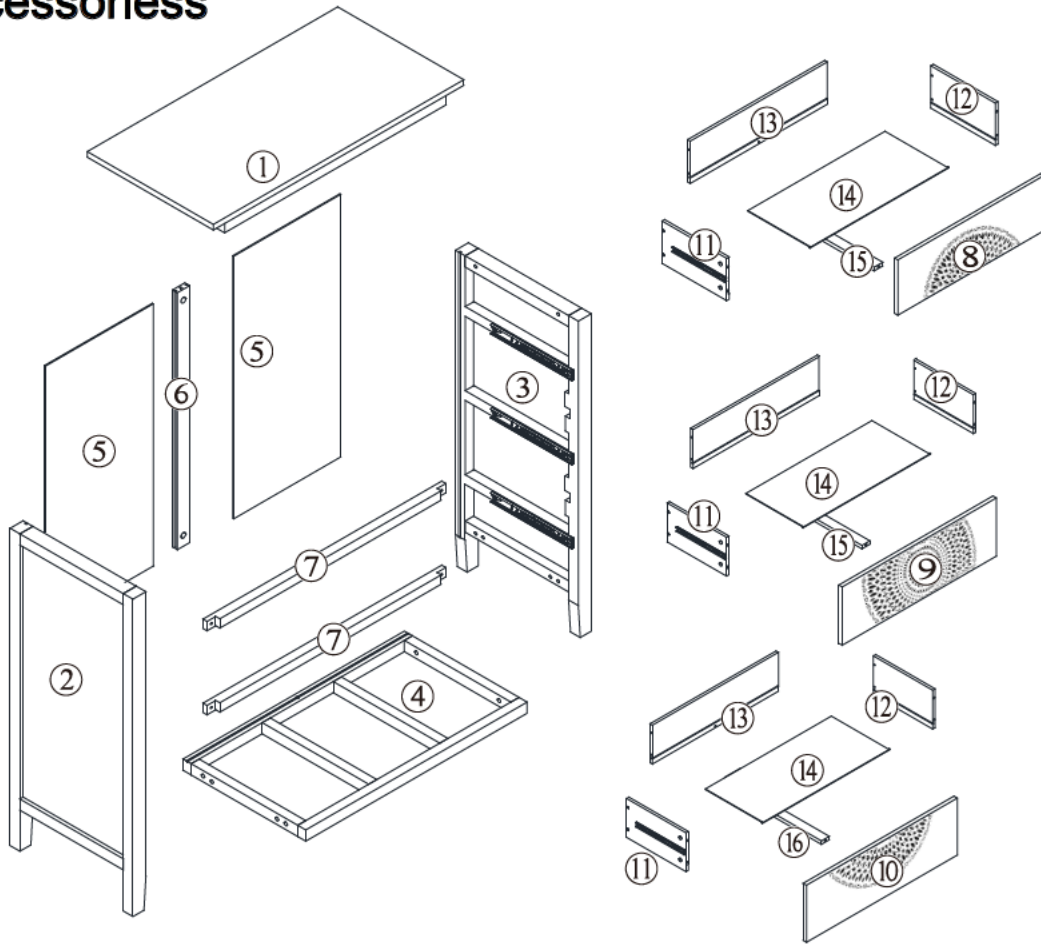


2 PERSONS

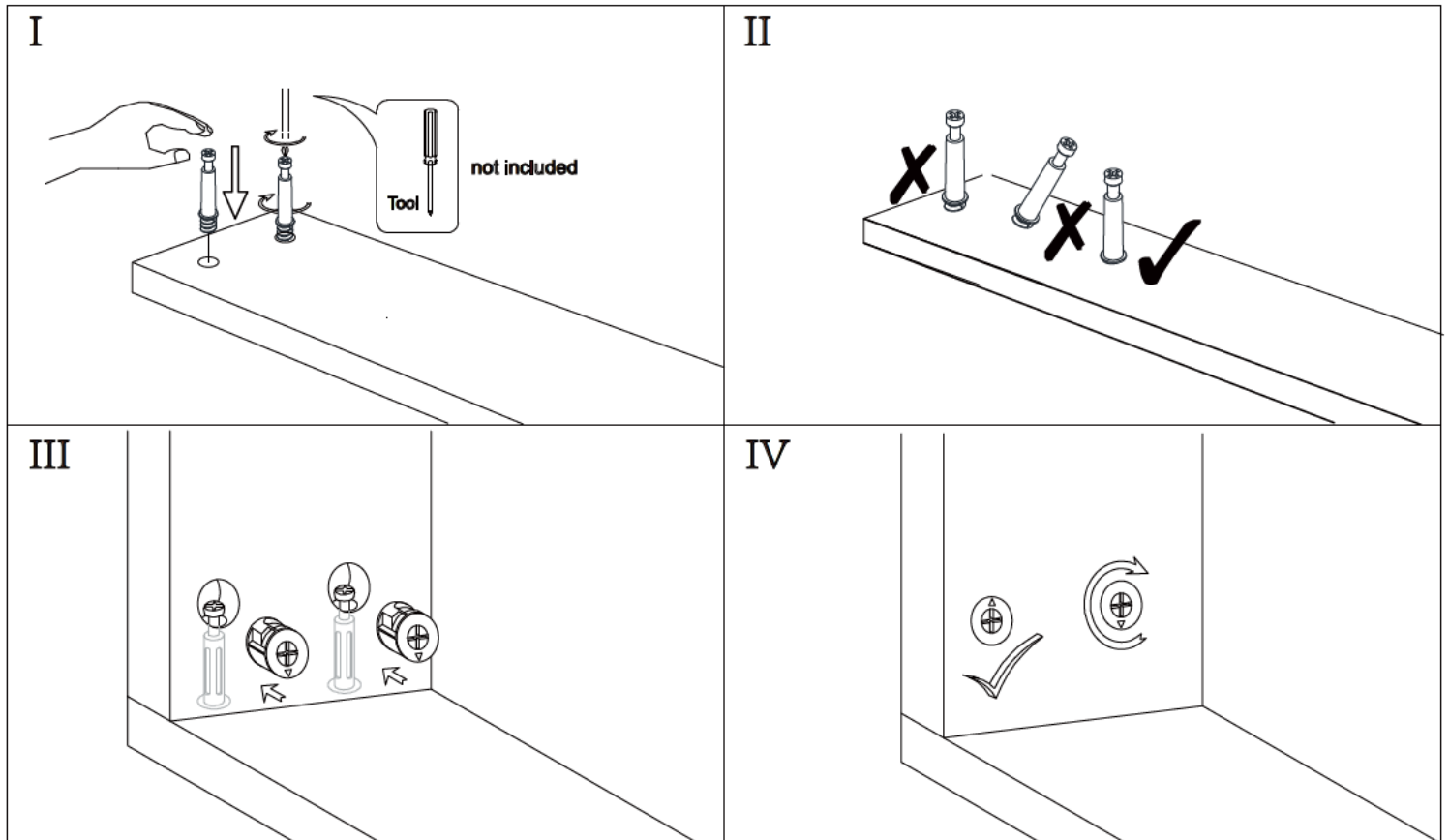
Included Accessories

Code	Description	Qty
1	Cabinet Top	1
2	Left Side Panel	1
3	Right Side Panel	1
4	Bottom Panel	1
5	Back Panel	2
6	Back Stretcher	1
7	Front Support Panel	2
8	Upper Drawer Front Panel	1
9	Middle Drawer Front Panel	1
10	Lower Drawer Front Panel	1
11	Drawer Left Side Panel	3
12	Drawer Right Side Panel	3
13	Drawer Back Panel	3
14	Drawer Bottom Panel	3
15	Short Drawer Bottom Support Panel	2
16	Long Drawer Bottom Support Panel	1

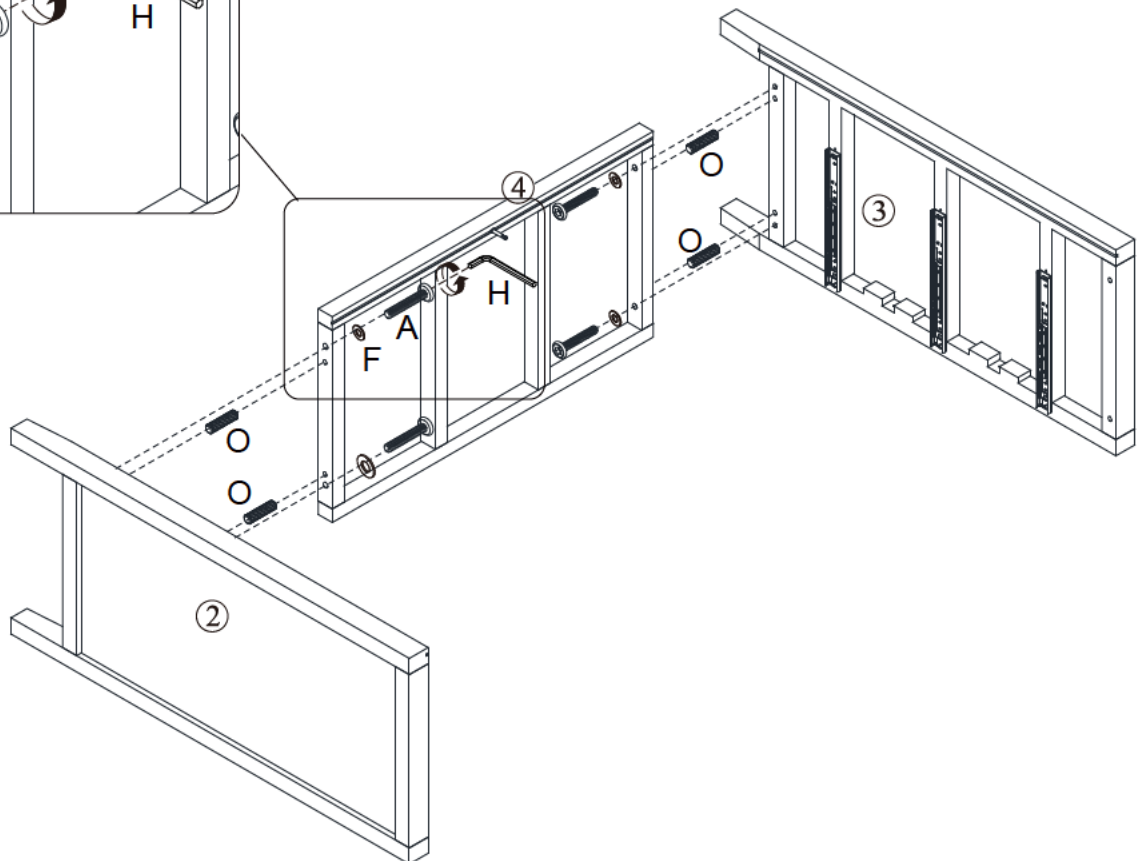
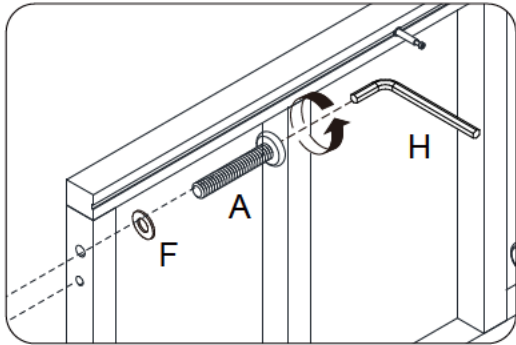
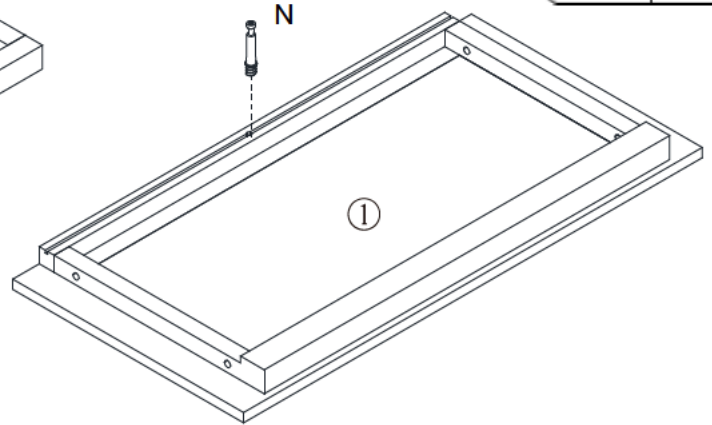
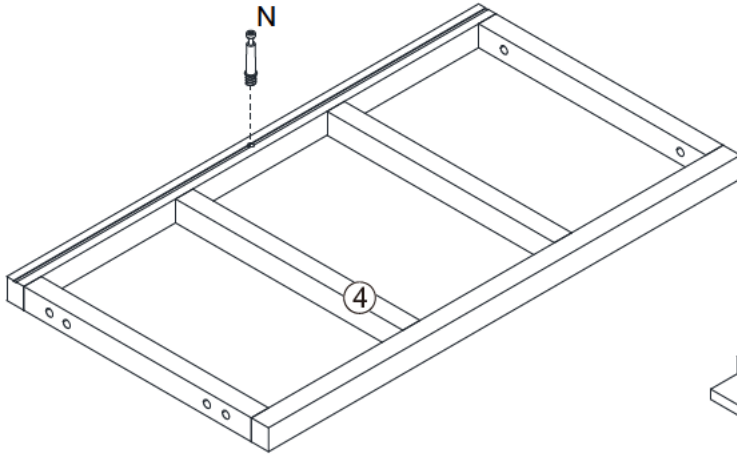
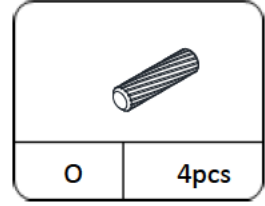
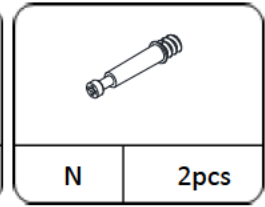
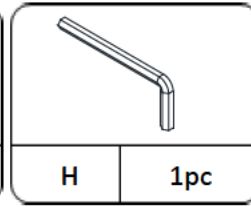
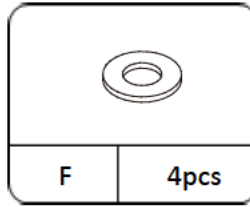
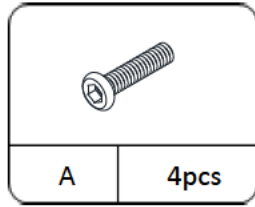
The Accessoriess



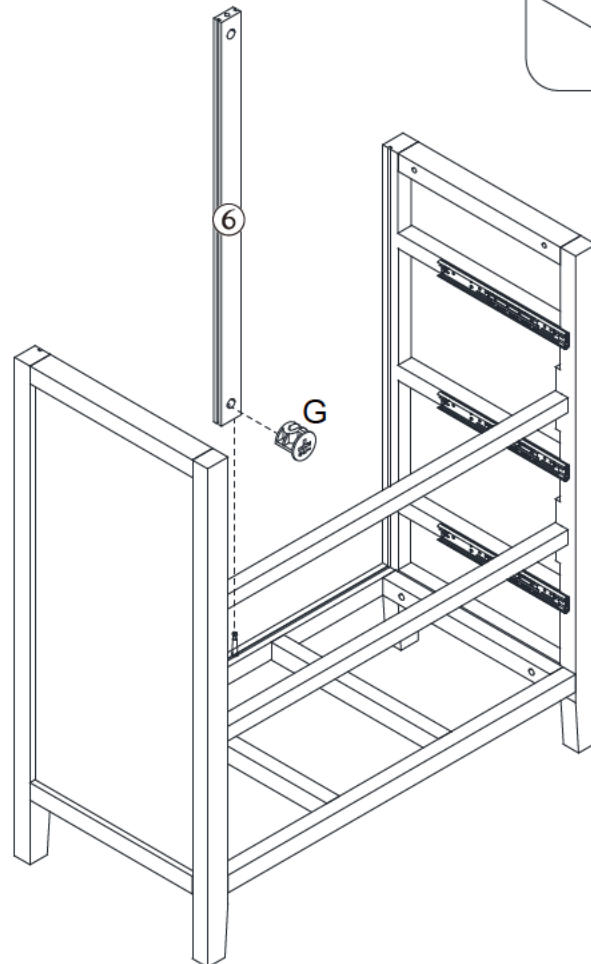
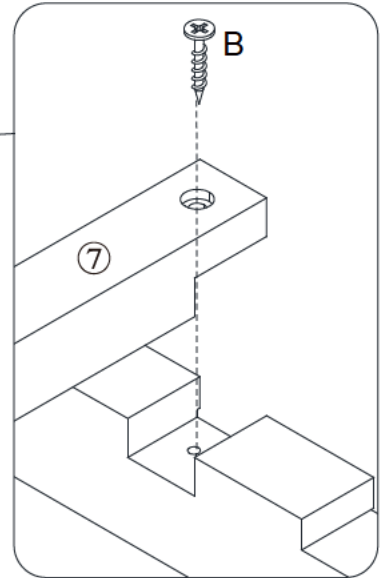
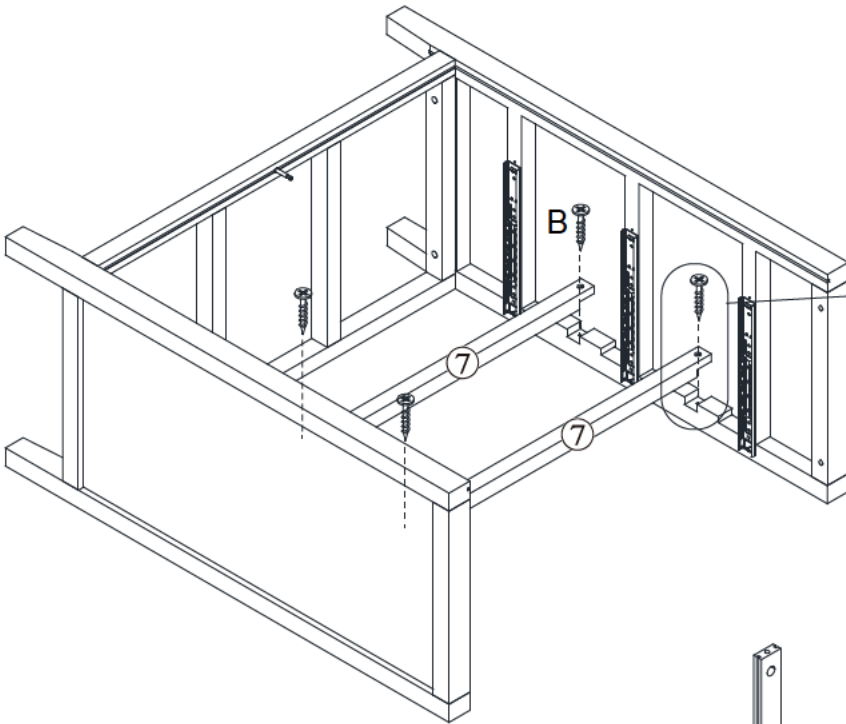
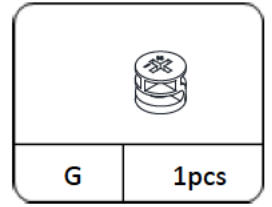
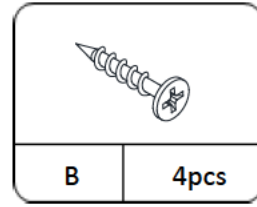
NOTED:



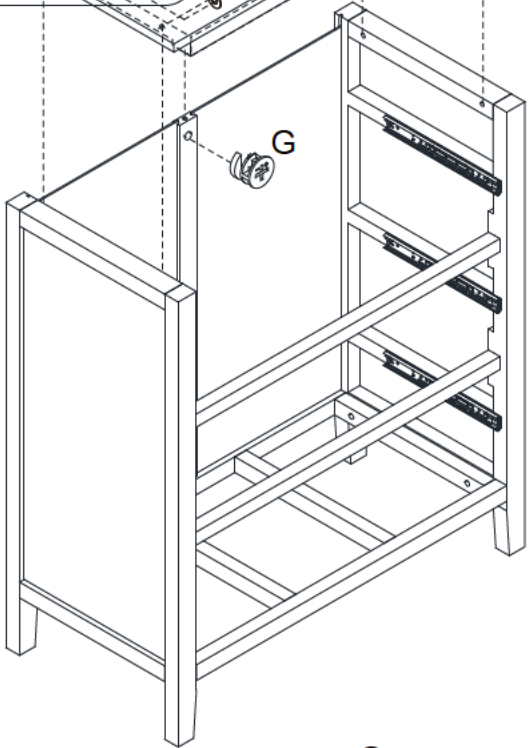
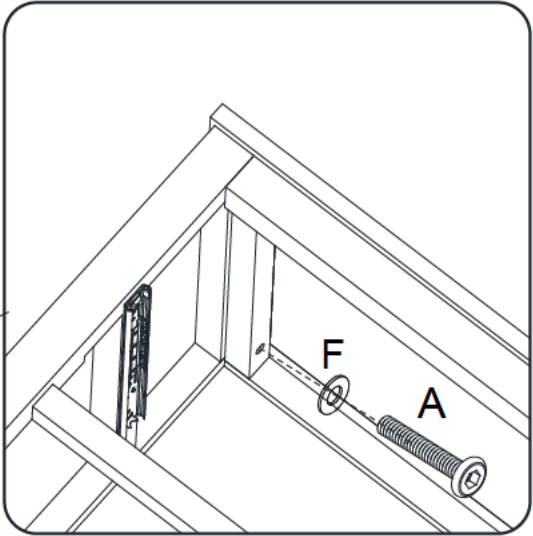
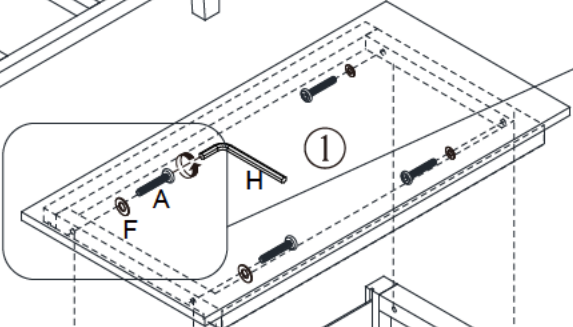
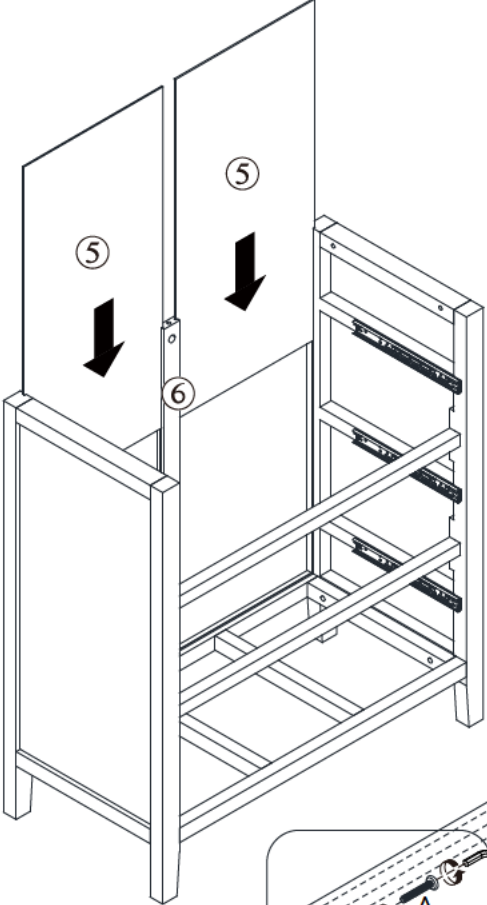
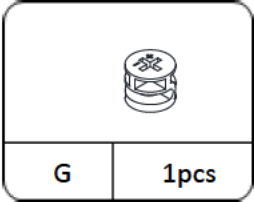
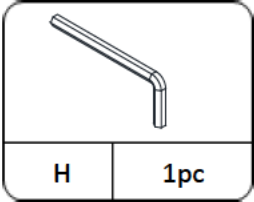
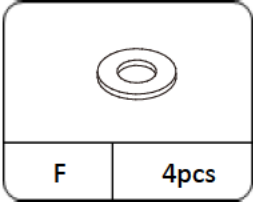
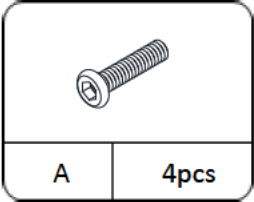
Step 1



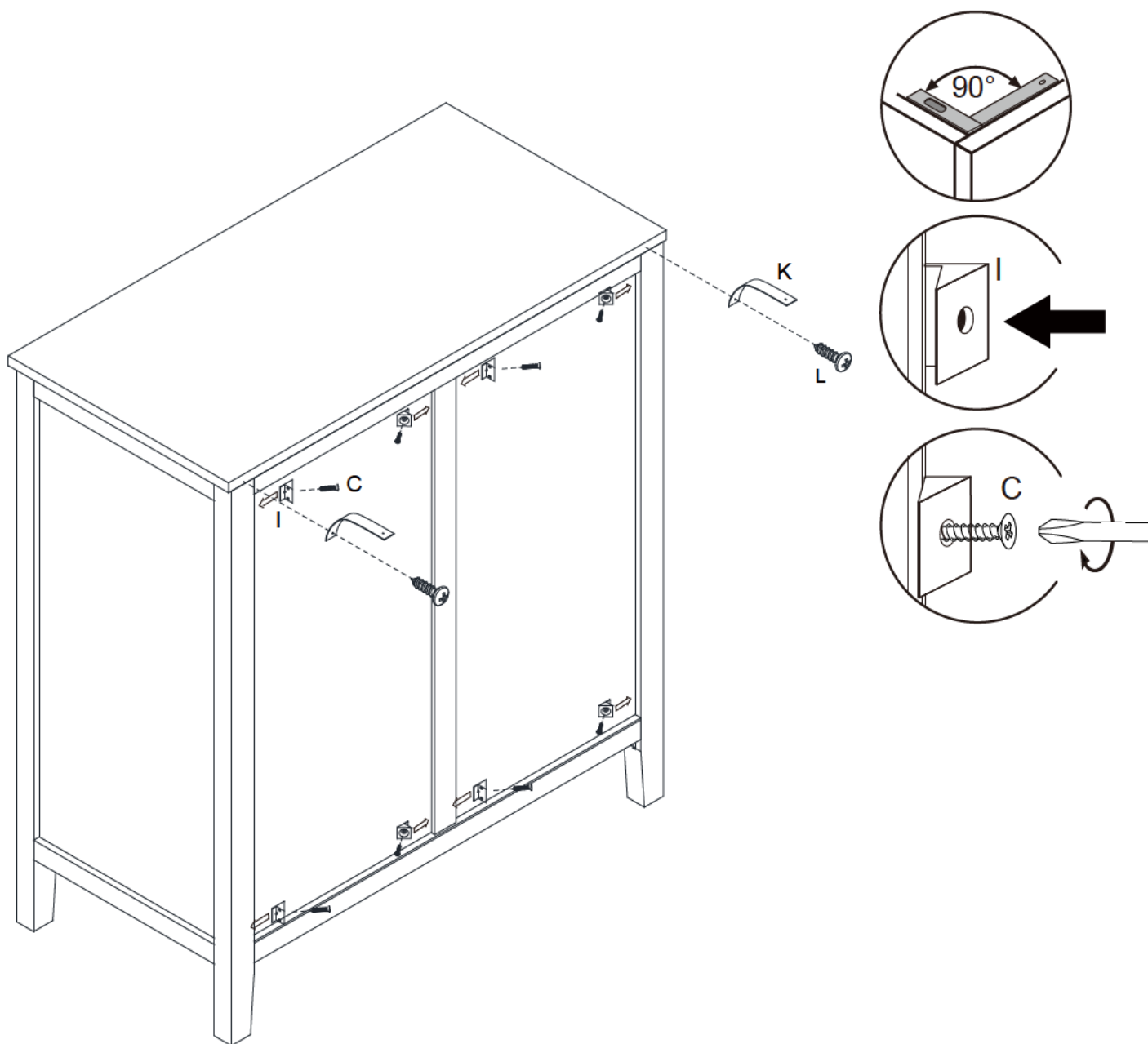
Step2




Step3

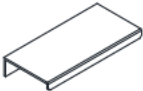



Step4

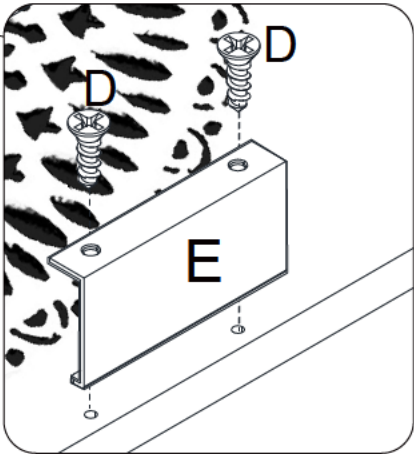
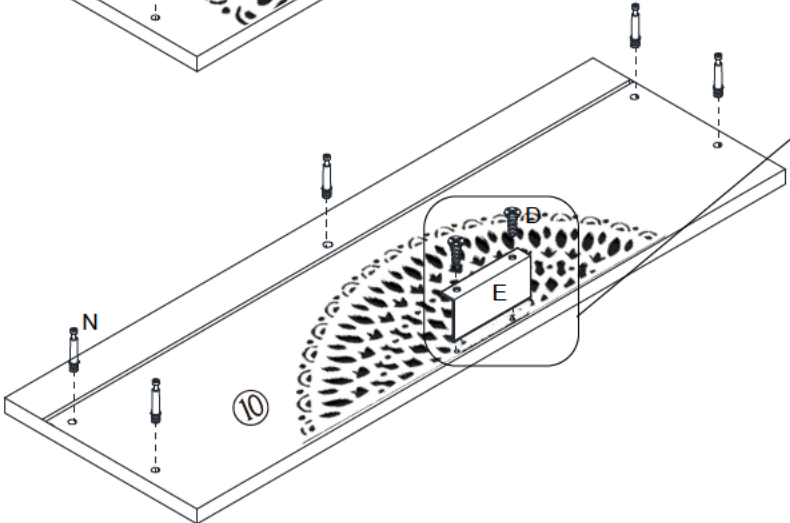
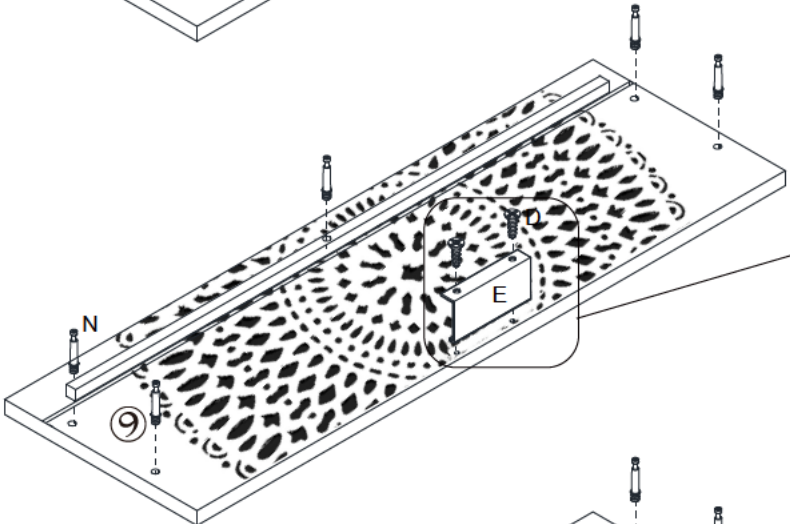
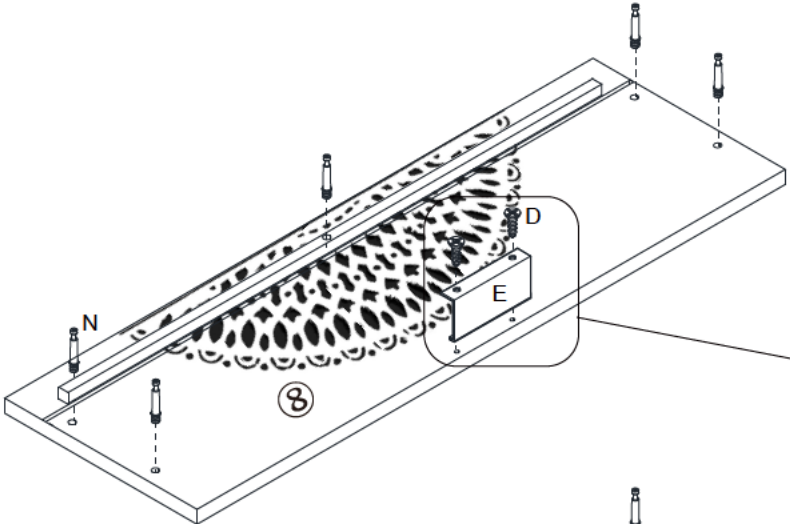


Step6


	
D	6pcs

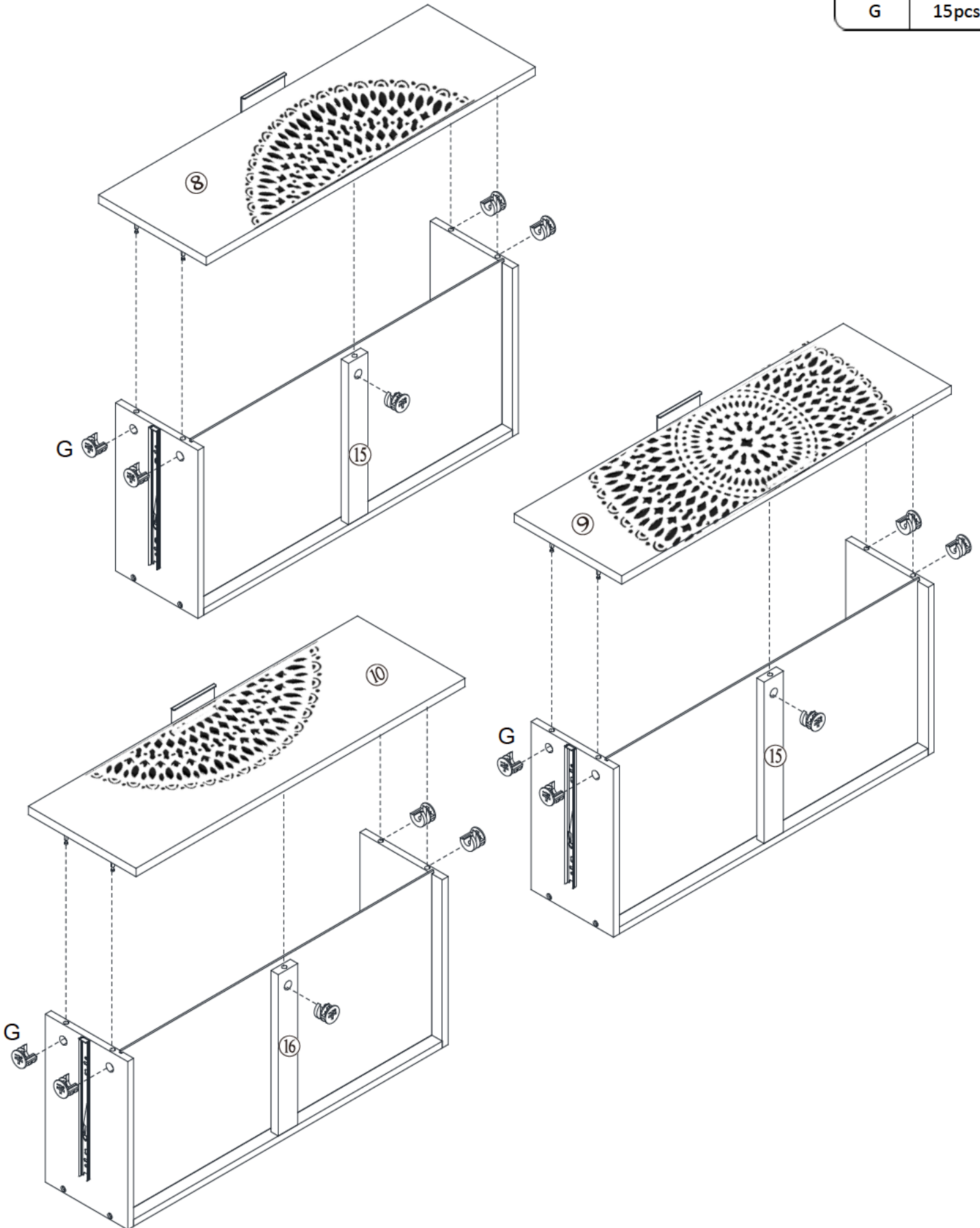
	
E	3pcs

	
N	15pcs

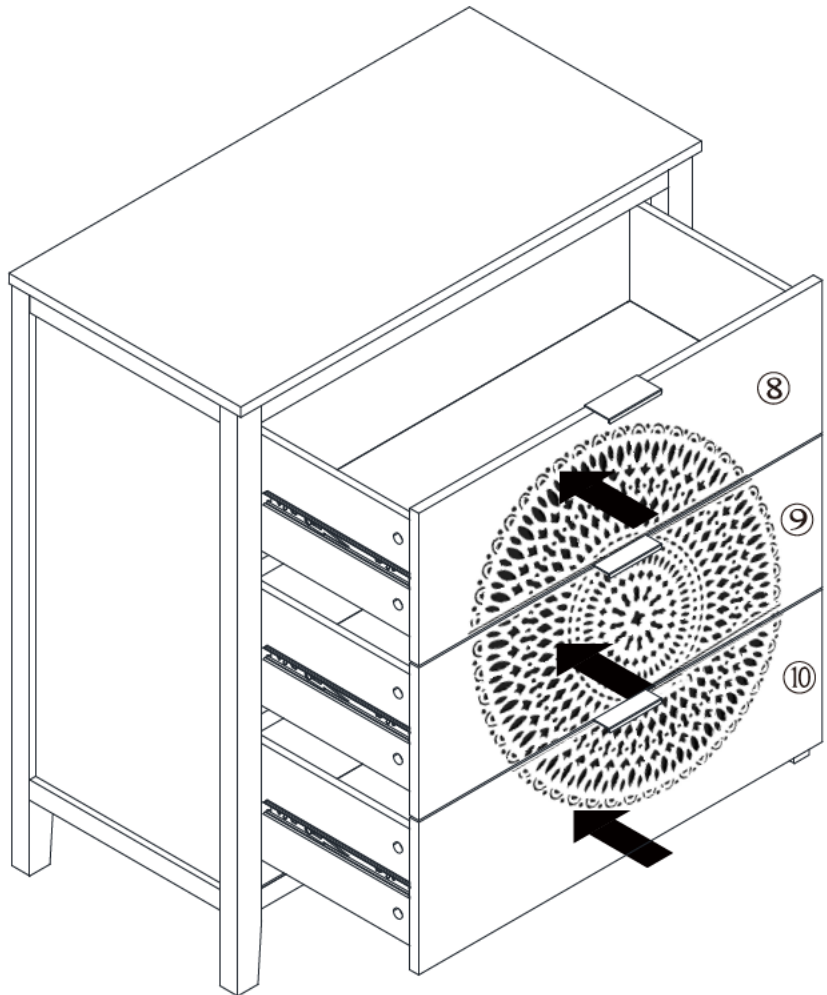
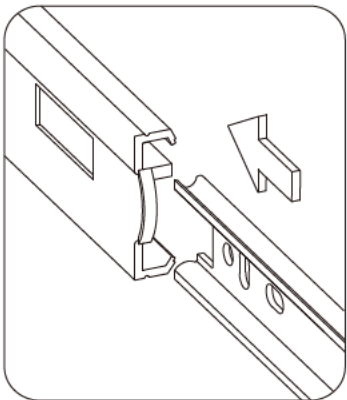
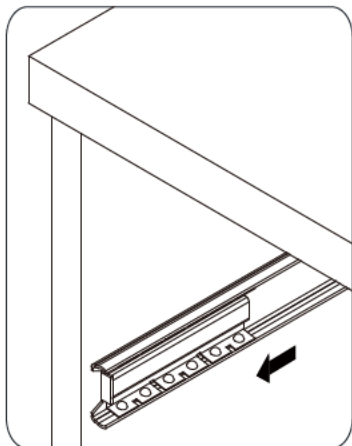


Step 7

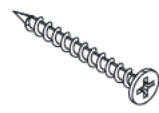
	
G	15pcs




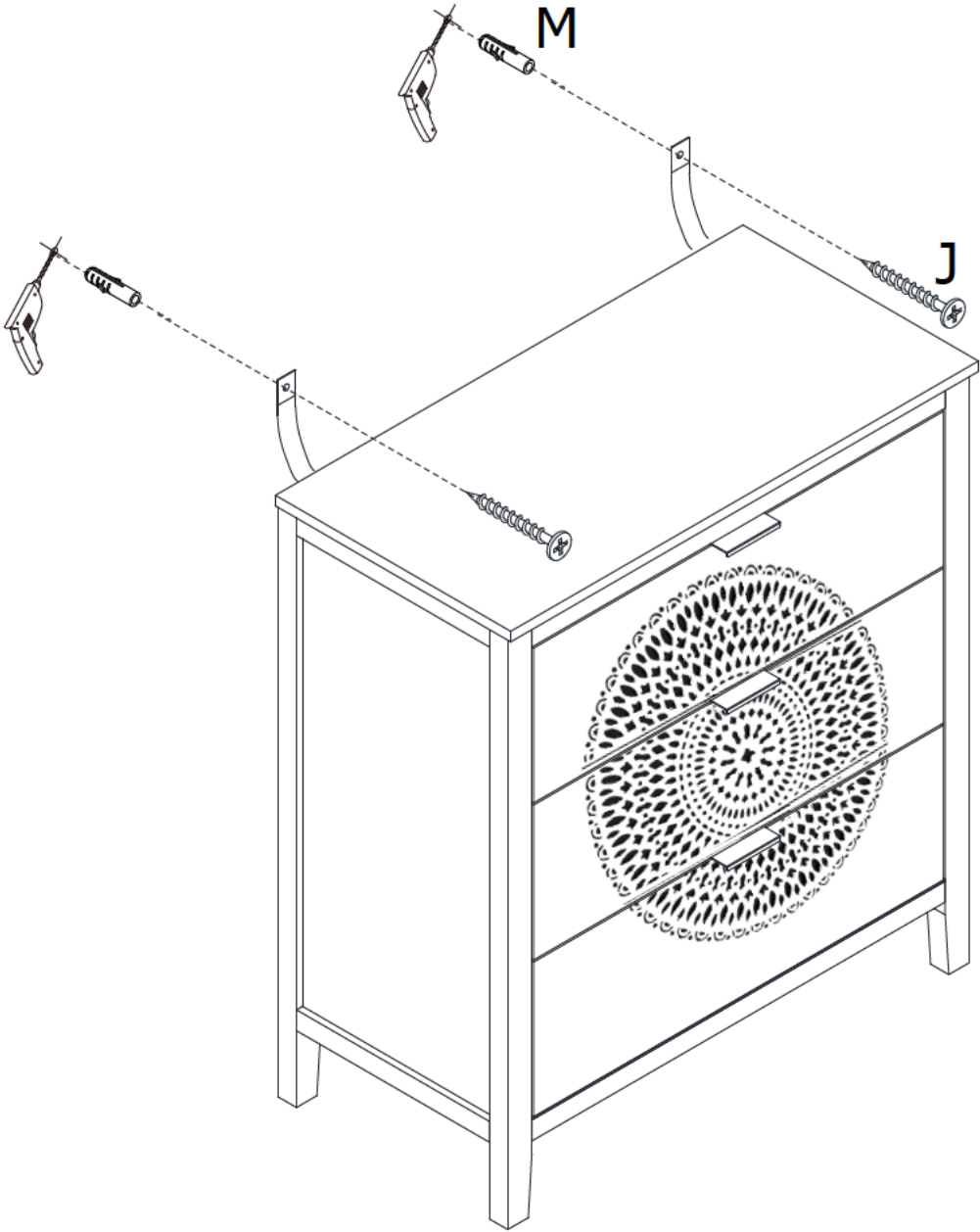
Step 8



Step9

	
J	2pcs

	
M	2pcs



Proper Use

- DO NOT** use for commercial purposes
- DO NOT** use as a step stool or stand on table
- DO NOT** put hot serving liquid directly on the table top
- DO NOT** leave spilled liquid on the table top
- DO NOT** use table if damaged
- DO NOT** exceed weight limit
- DO NOT** make temporary repairs
- DO NOT** use outdoor