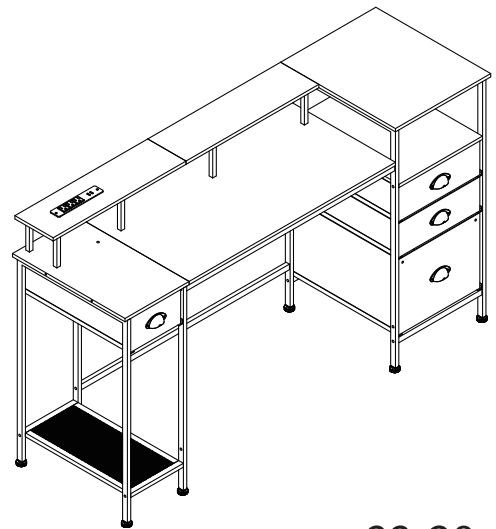


○ **Disassembly Diagram** 01

○ **Accessories** 02-04

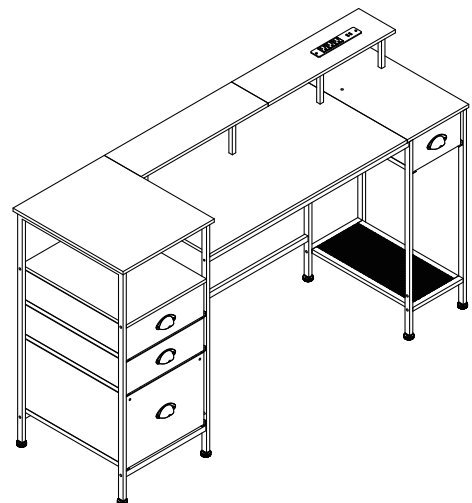
Assembly Instructions

○ **File Drawer on the Right** 05-21

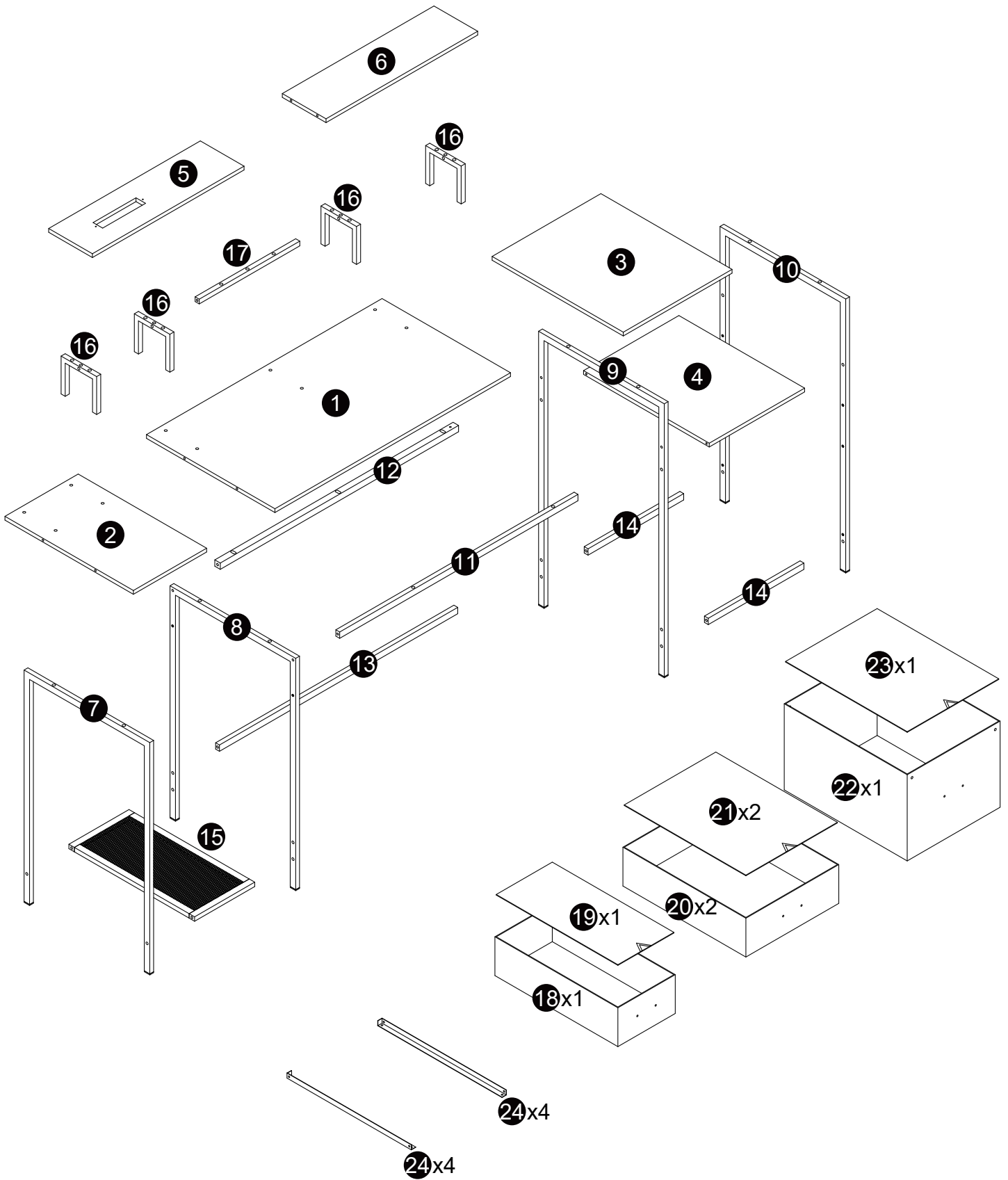


Assembly Instructions

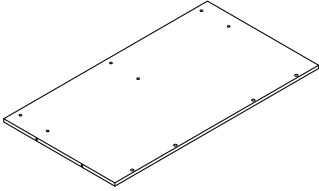
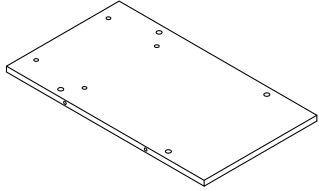
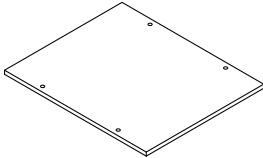
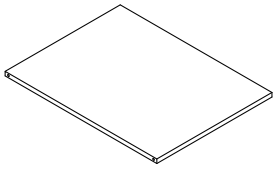
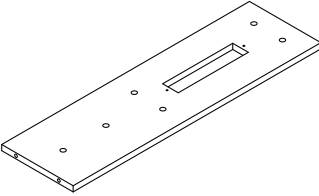
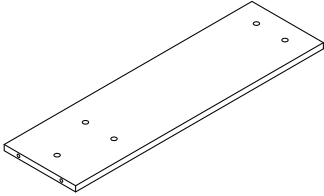
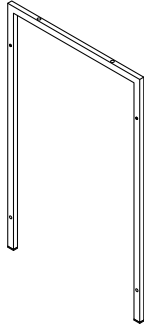
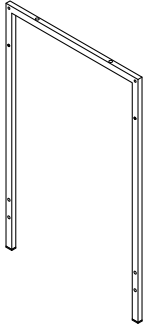
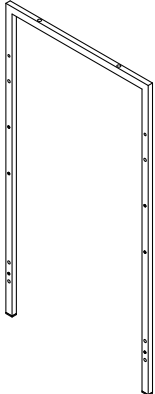
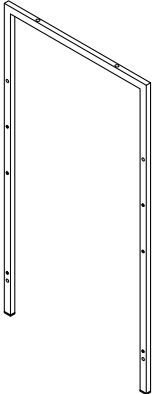
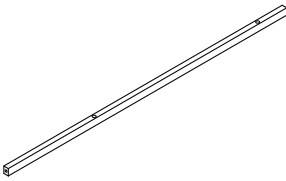
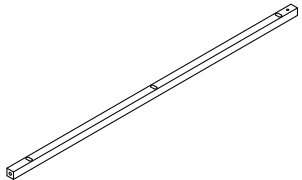
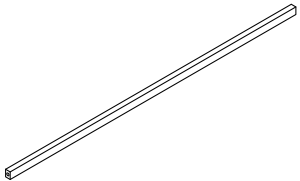
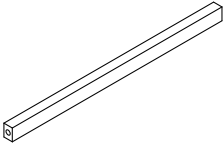
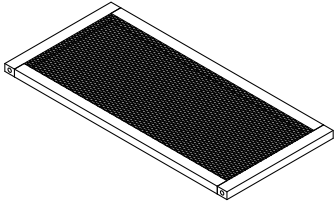
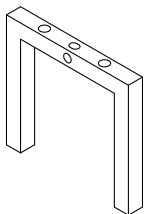
○ **File Drawer on the Left** 22-38



Disassembly Diagram



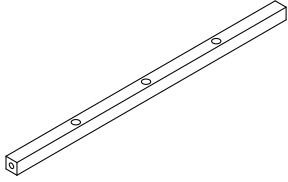
Accessories

<p>① x1</p> 	<p>② x1</p> 	<p>③ x1</p> 	<p>④ x1</p> 
<p>⑤ x1</p> 	<p>⑥ x1</p> 	<p>⑦ x1</p> 	<p>⑧ x1</p> 
<p>⑨ x1</p> 	<p>⑩ x1</p> 	<p>⑪ x1</p> 	<p>⑫ x1</p> 
<p>⑬ x1</p> 	<p>⑭ x2</p> 	<p>⑮ x1</p> 	<p>⑯ x4</p> 

Accessories

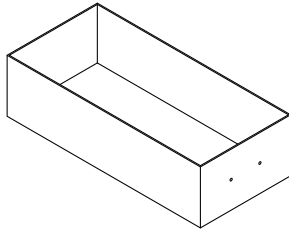
17

x1



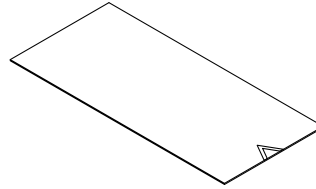
18

x1



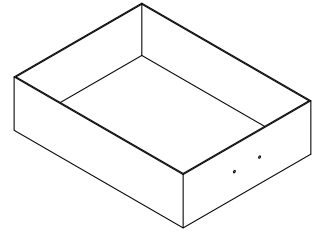
19

x1



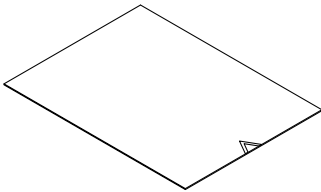
20

x2



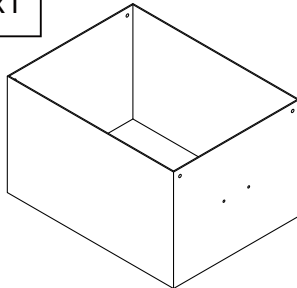
21

x2



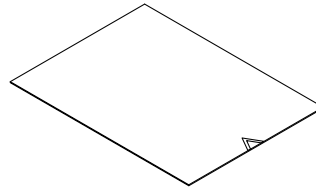
22

x1



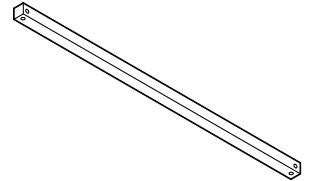
23

x1

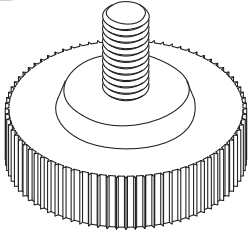

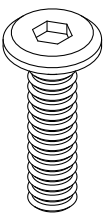
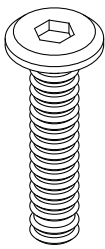
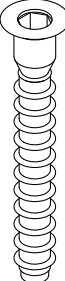

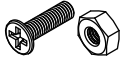

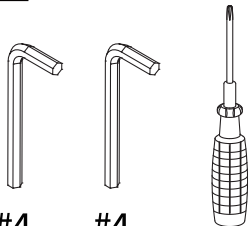
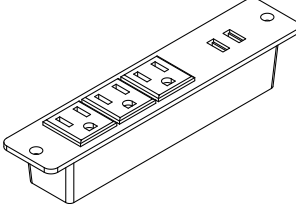
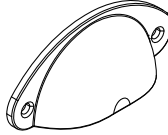
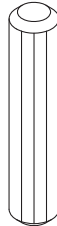
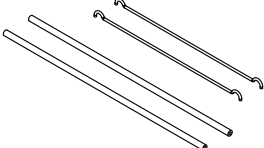
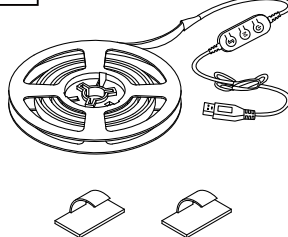


24

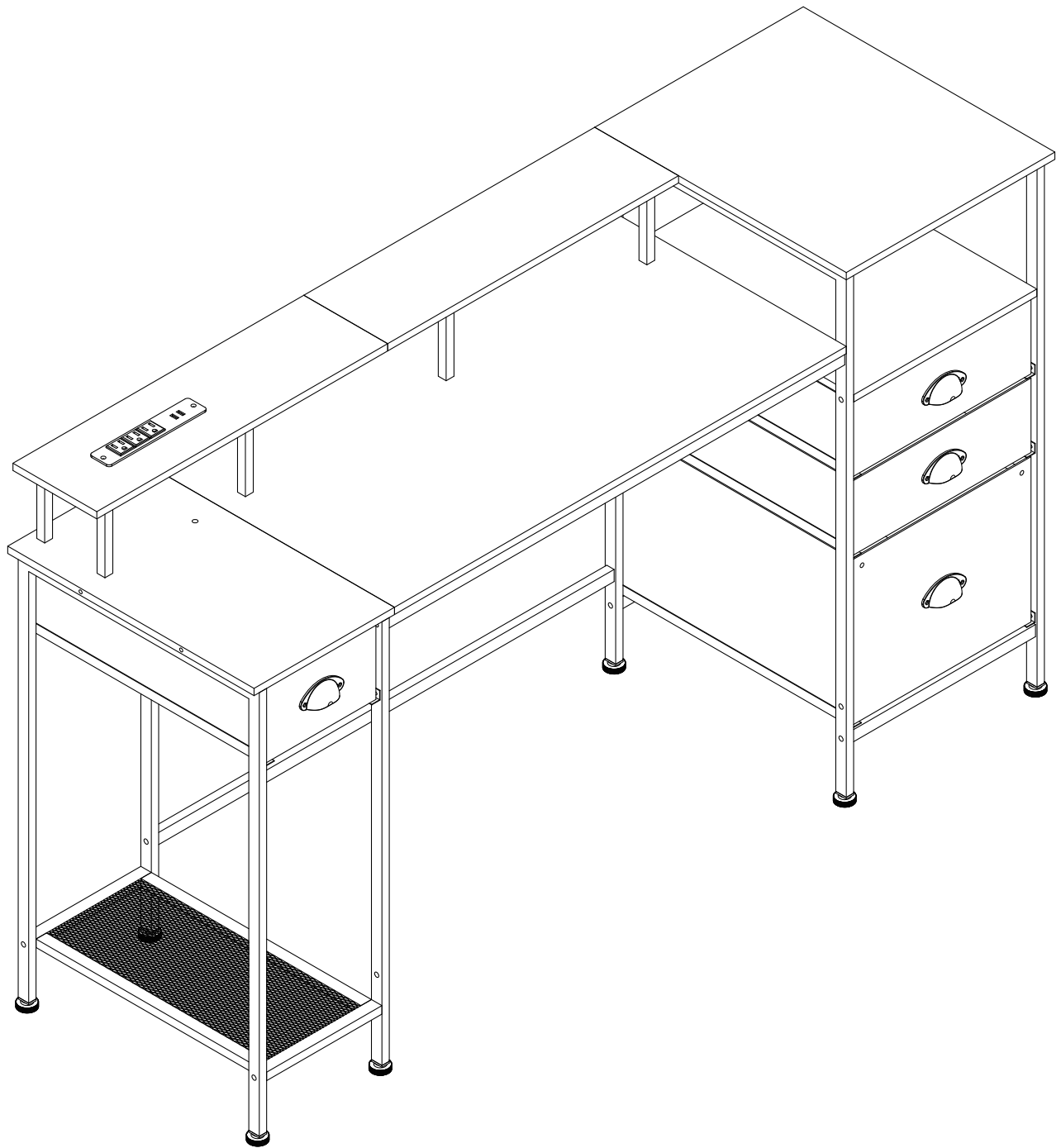
x8



Accessories

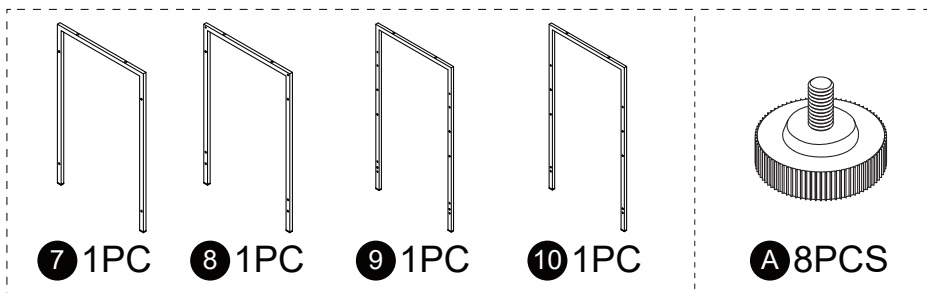
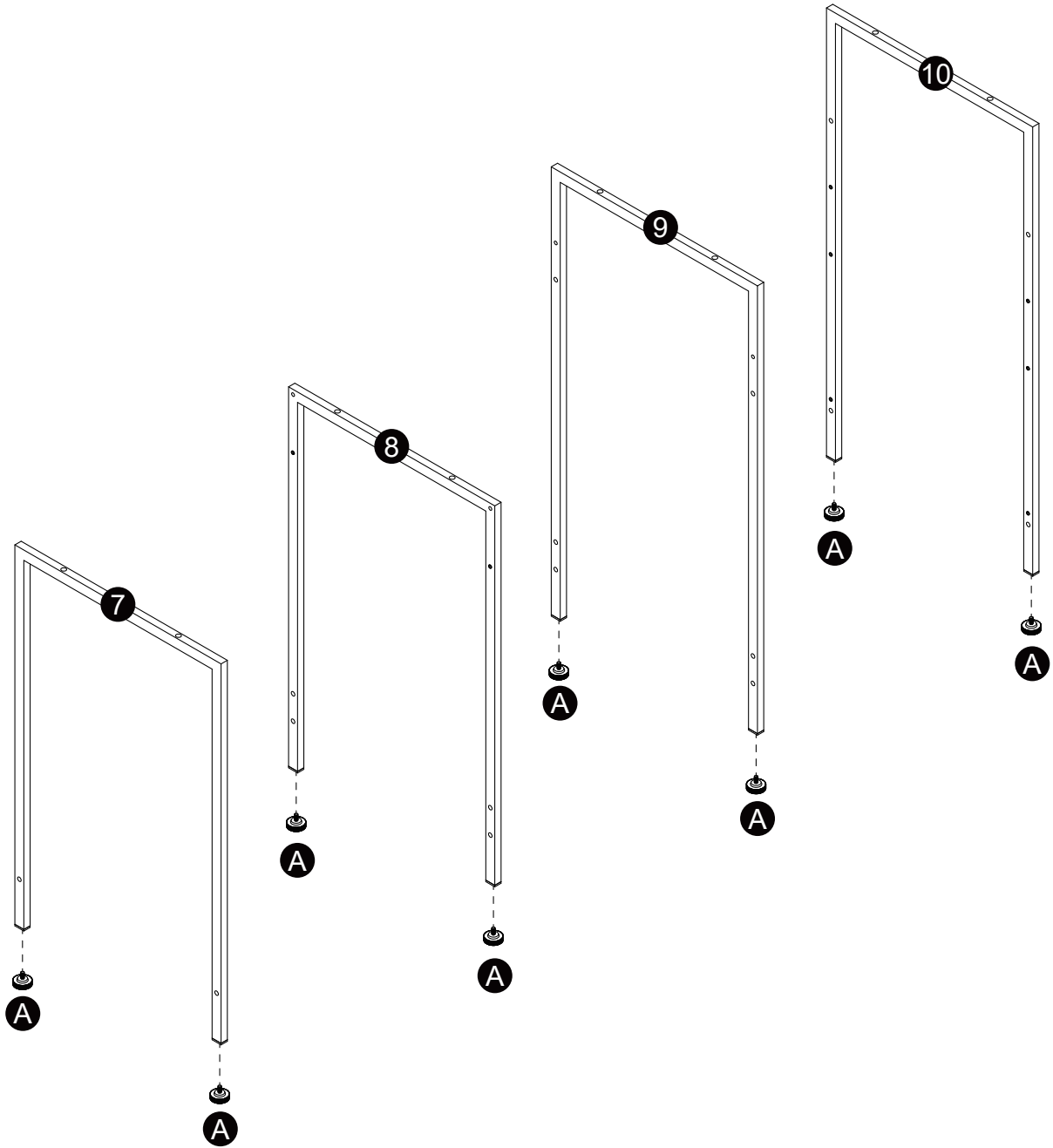
<p>A x9</p>  <p>M6</p>	<p>B x5</p>  <p>M5×15mm</p>	<p>C x24</p>  <p>M6×23mm</p>	<p>D x27</p>  <p>M6×28mm</p>
<p>E x5</p>  <p>M6.3×45mm</p>	<p>F x18</p>  <p>M4×8mm</p>	<p>H x9</p>  <p>M4×12mm</p>	<p>I x3</p>  <p>ST4×12mm</p>
<p>J x1</p>  <p>#4 #4</p>	<p>K x1</p> 	<p>L x4</p> 	<p>M x5</p>  <p>∅6x30mm</p>
<p>N x1</p> 	<p>O x1</p> 		

File Drawer on the Right



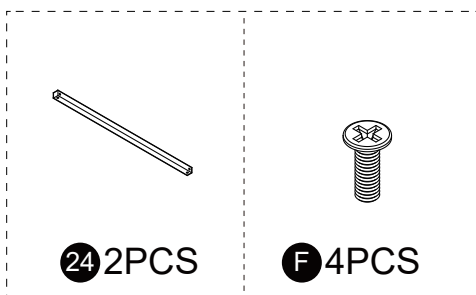
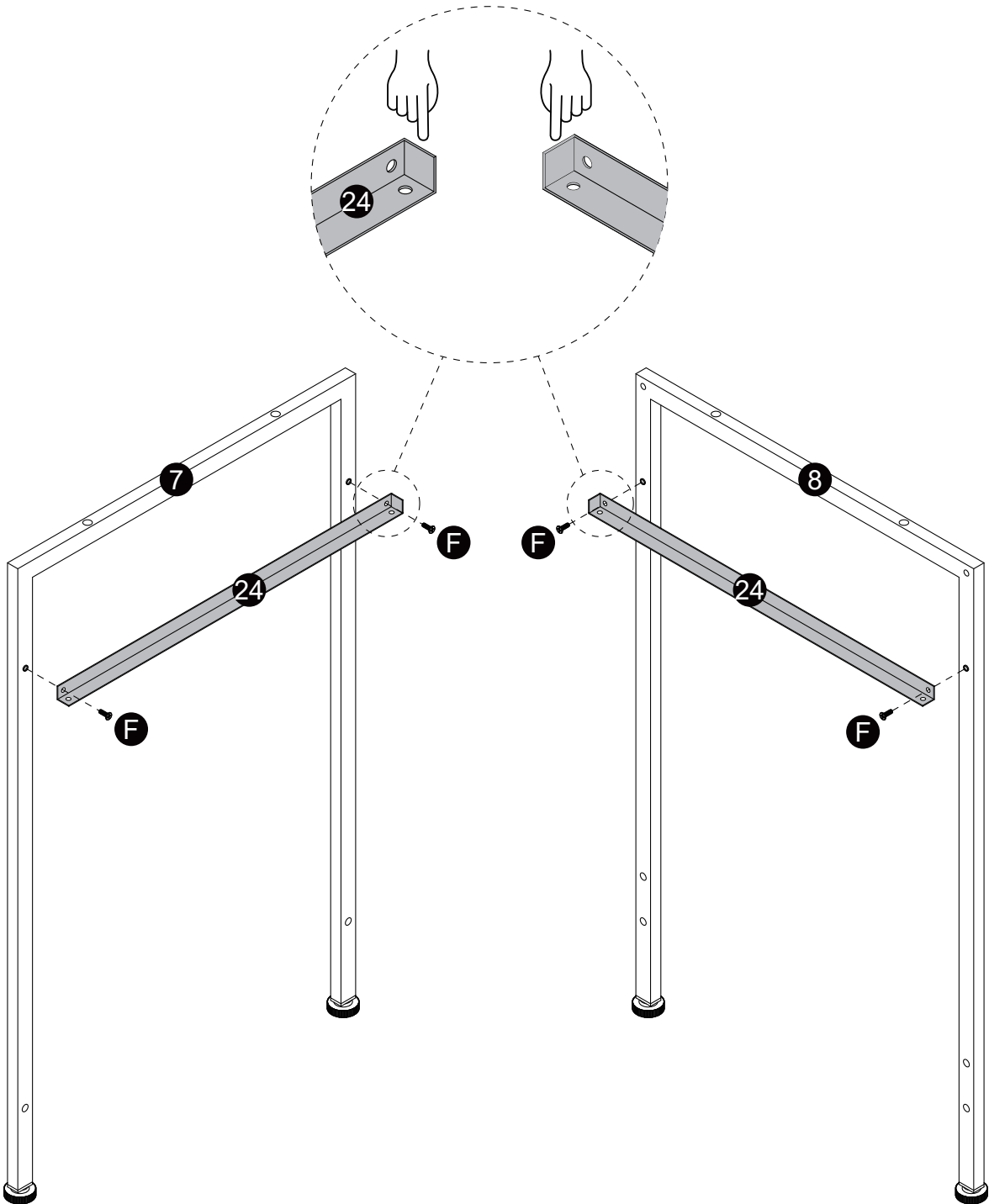
Assembly Instructions

Step1: Installation of adjustable feet **A**.



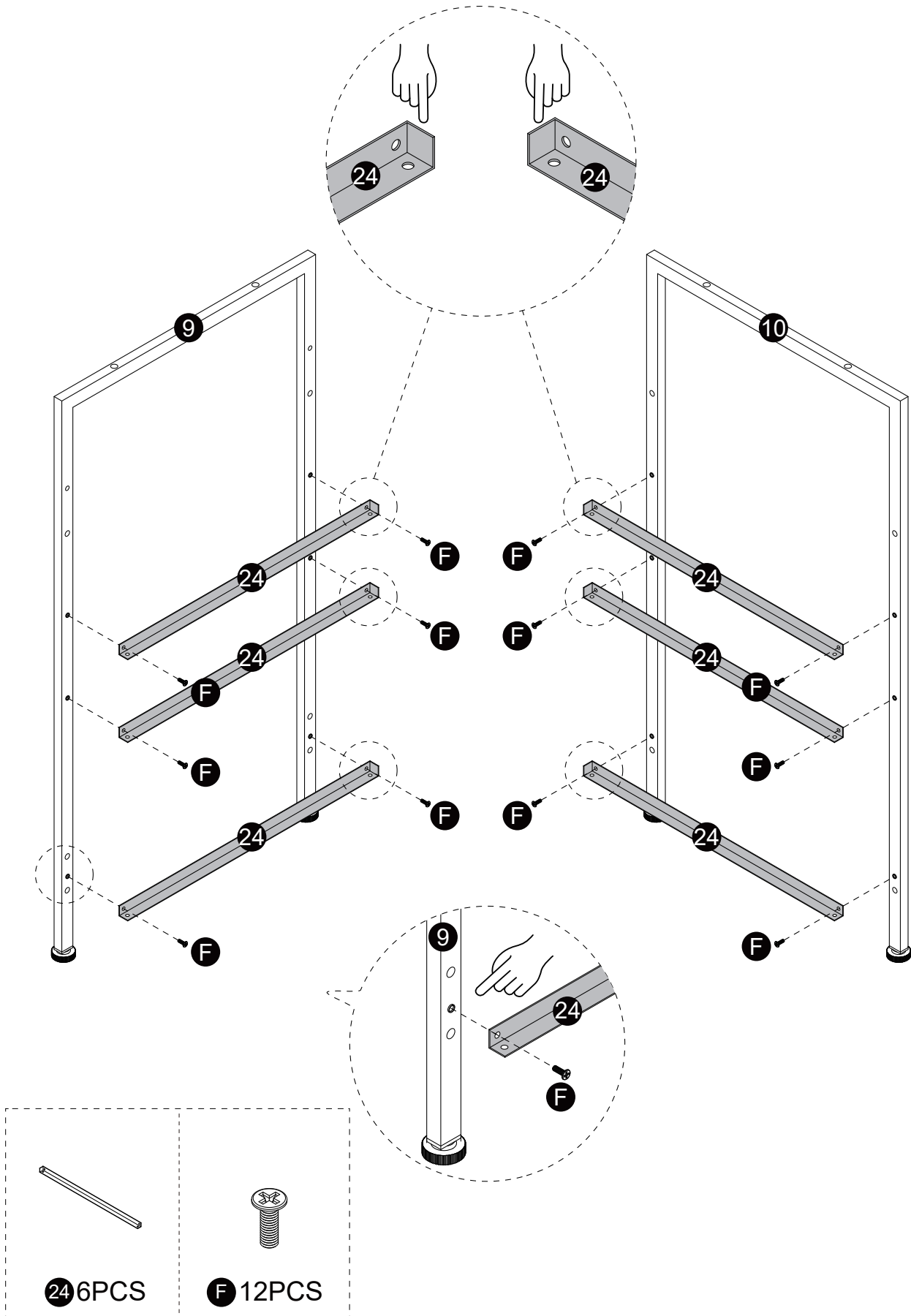
Assembly Instructions

Step2: Fix the part 24 on the frame 7 & 8 with screw F .



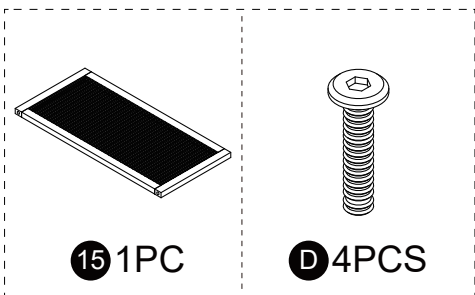
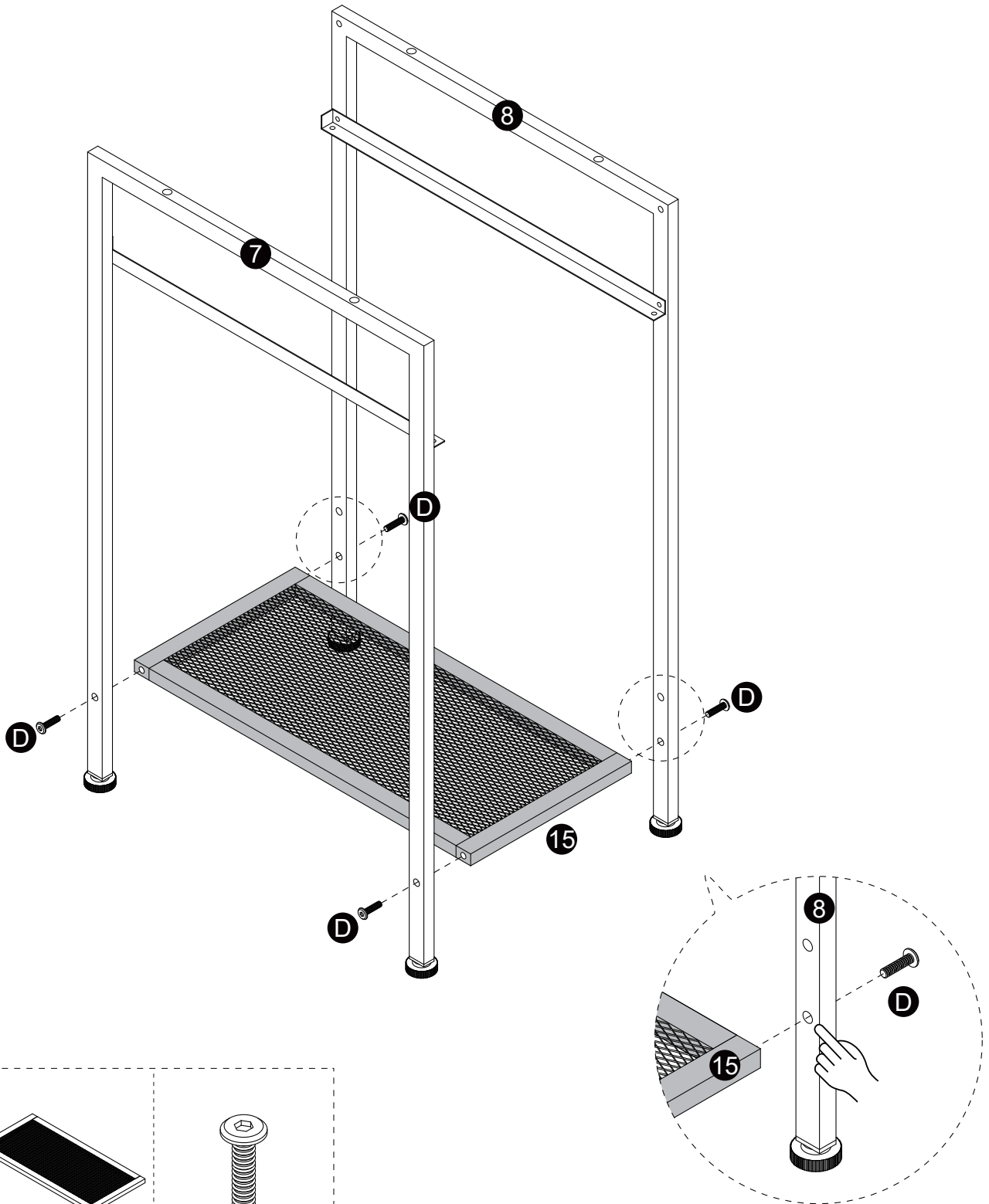
Assembly Instructions

Step3: Fix the part 24 on the frame 9 & 10 with screw F .



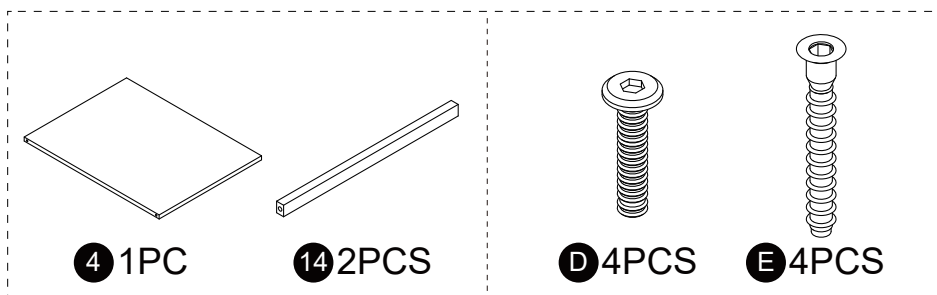
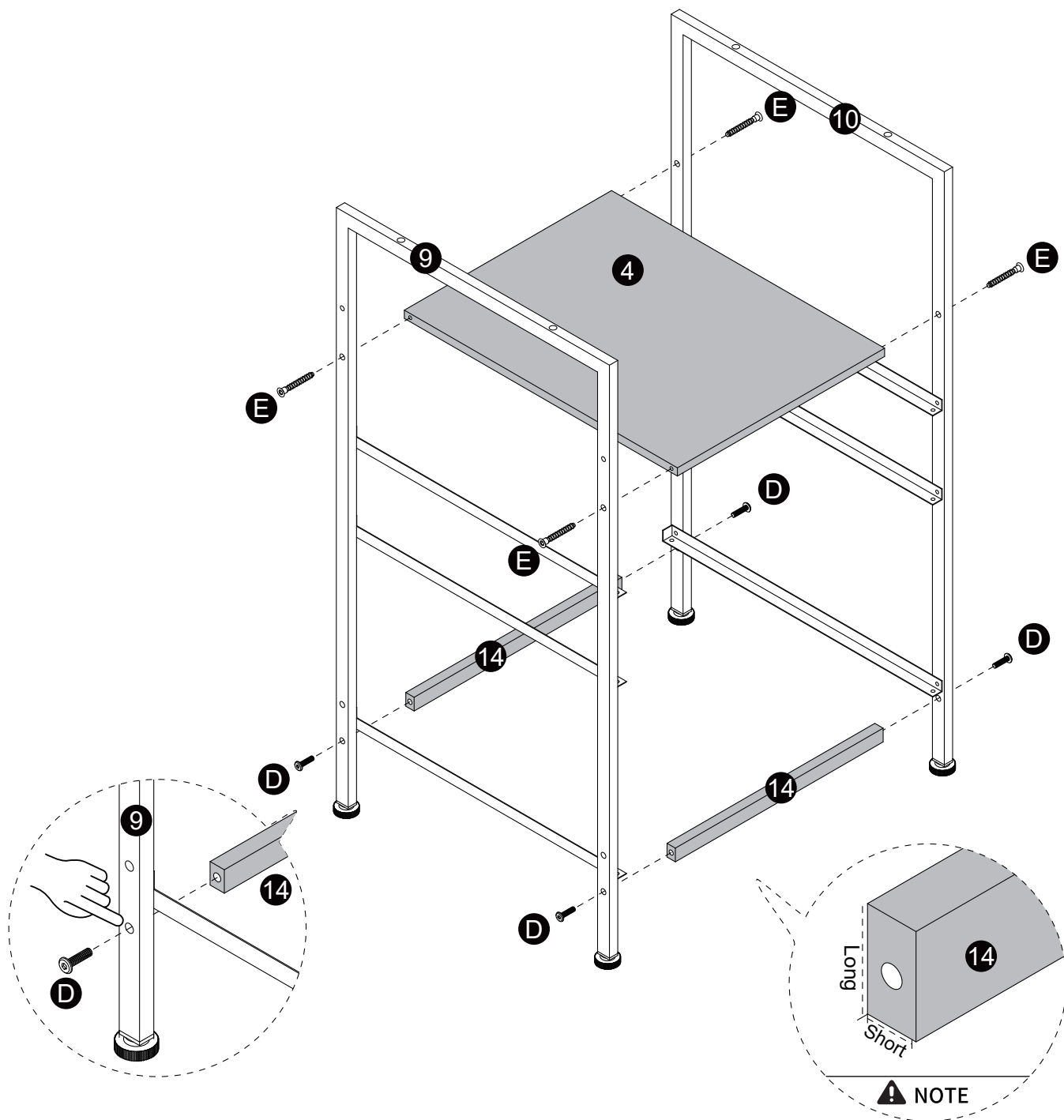
Assembly Instructions

Step4: Fix the component 15 between the frame 7 & 8 with screw D .



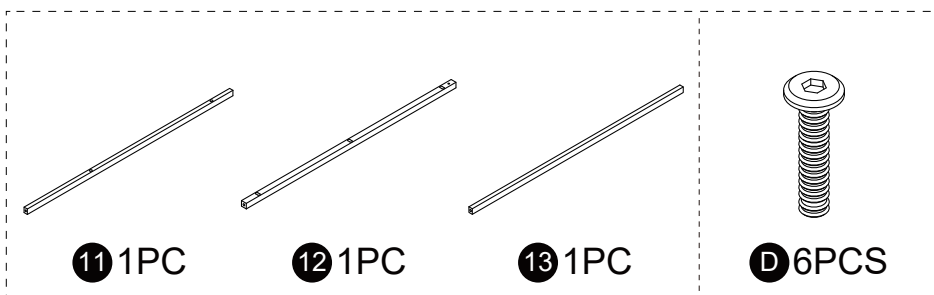
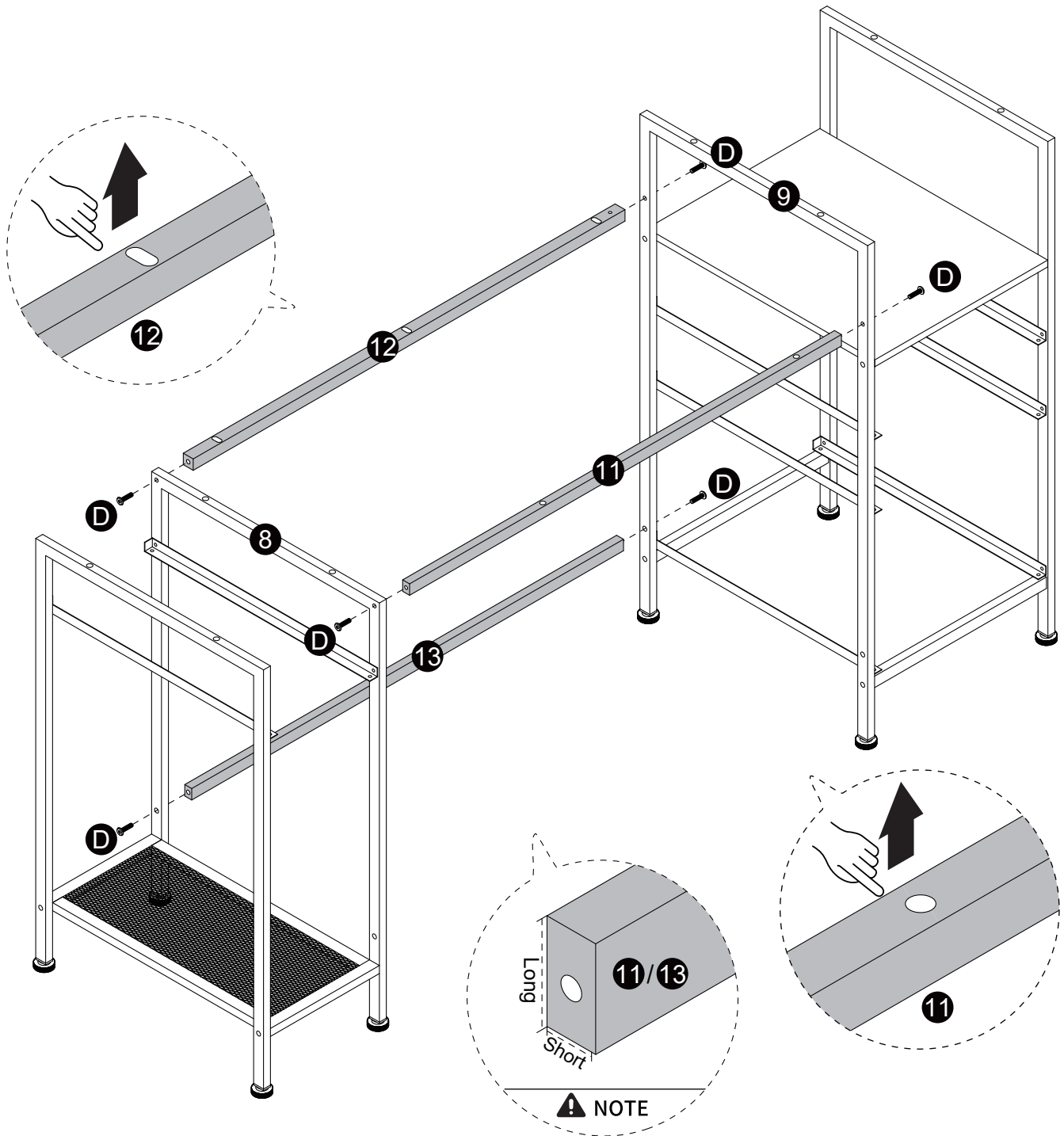
Assembly Instructions

Step5: Fix the board ④ and part ⑭ between the frame ⑨ & ⑩ with screw ① & ②.



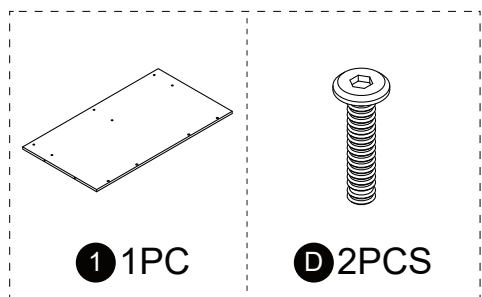
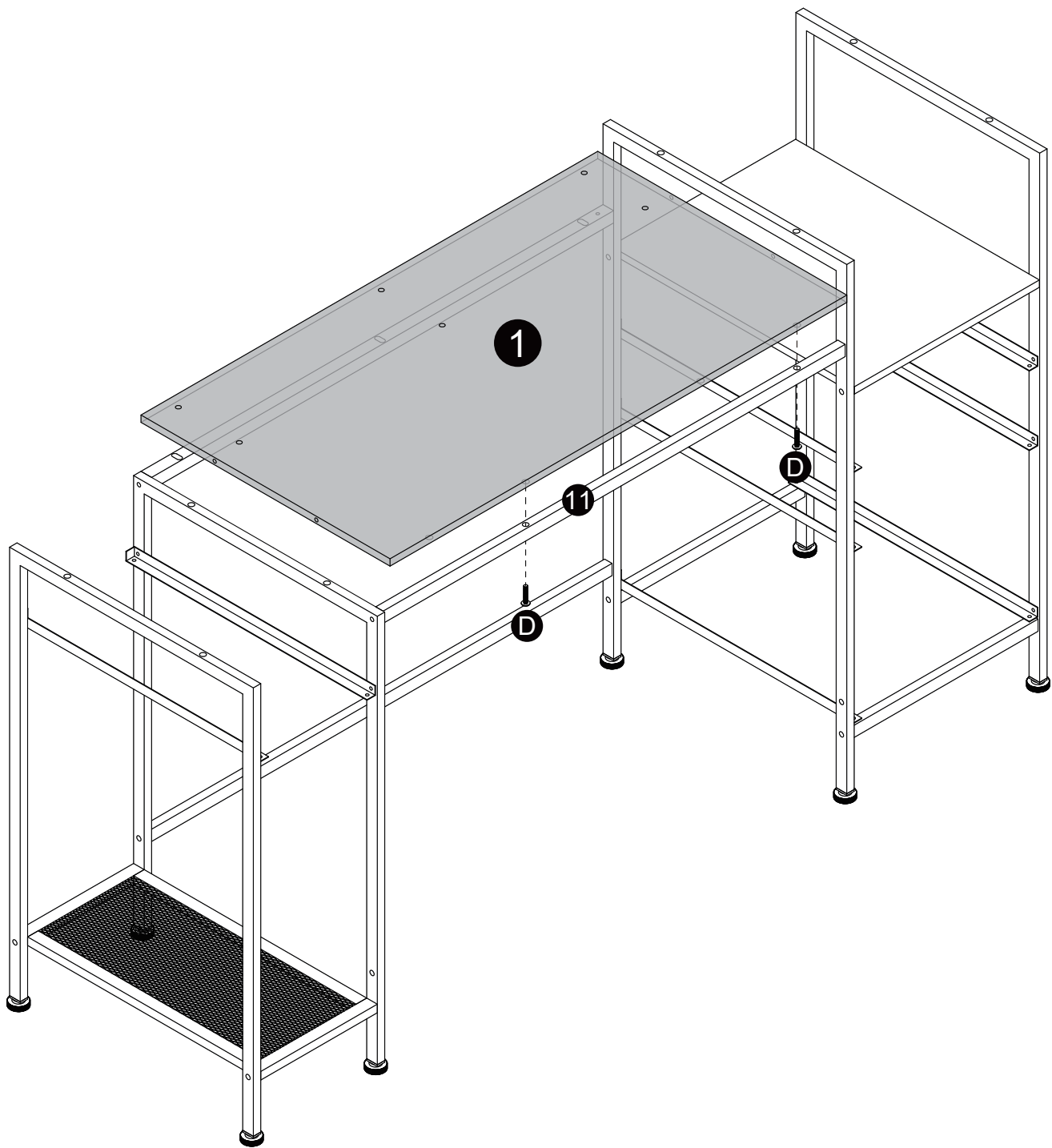
Assembly Instructions

Step6: Fix the bar ①① & ①② & ①③ between the frame ①⑧ & ①⑨ with screw ①④.



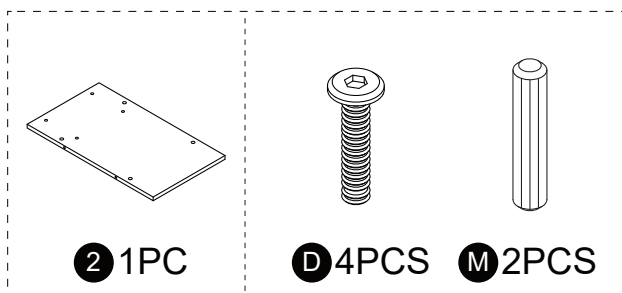
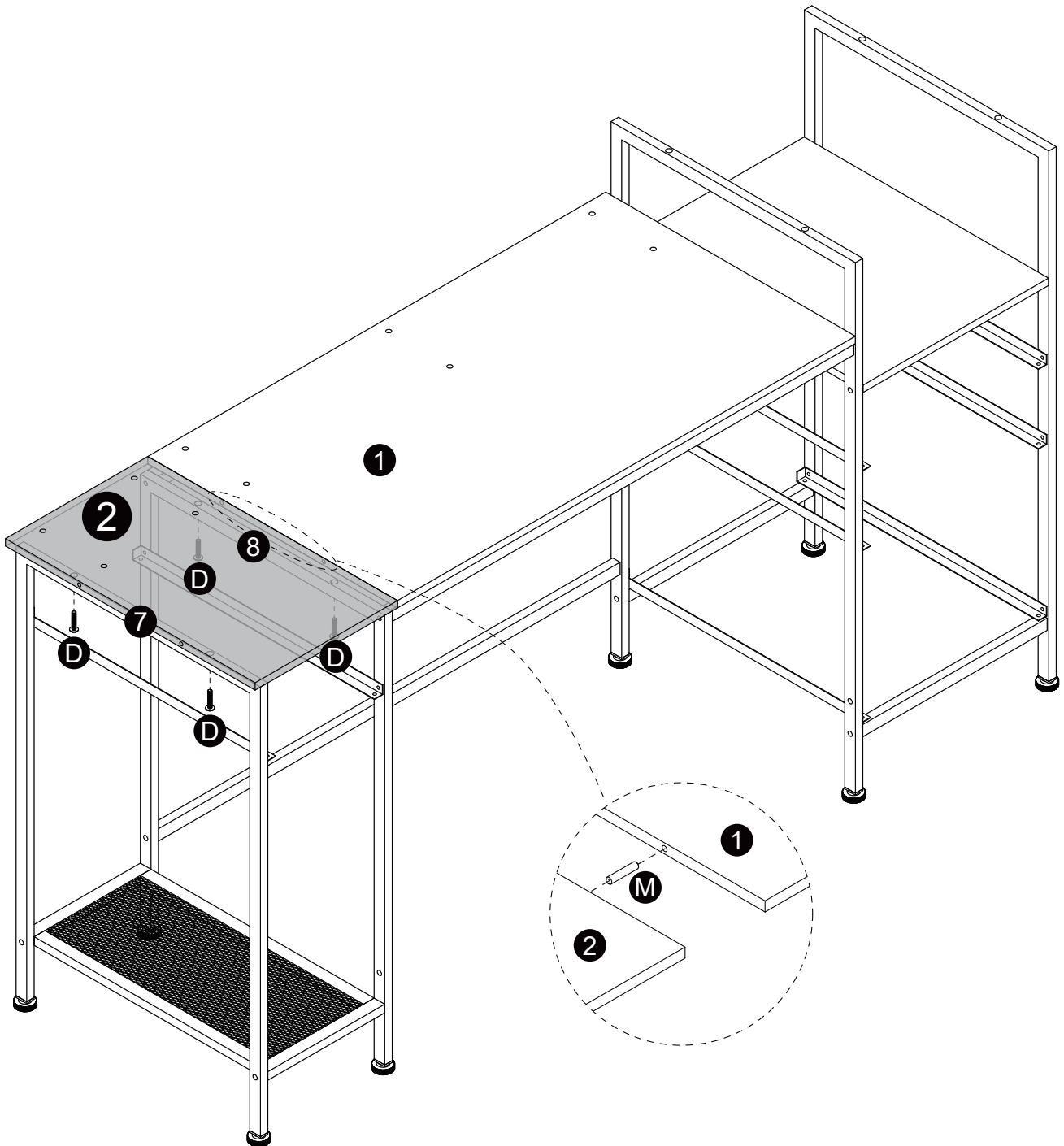
Assembly Instructions

Step7: Fix the board ① on the frame ⑪ with screw ②.



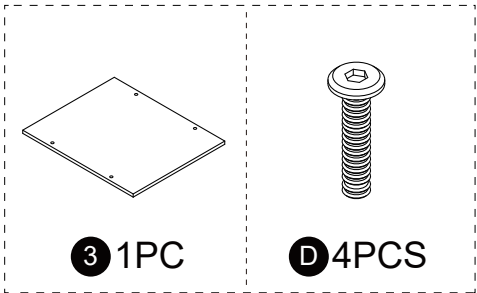
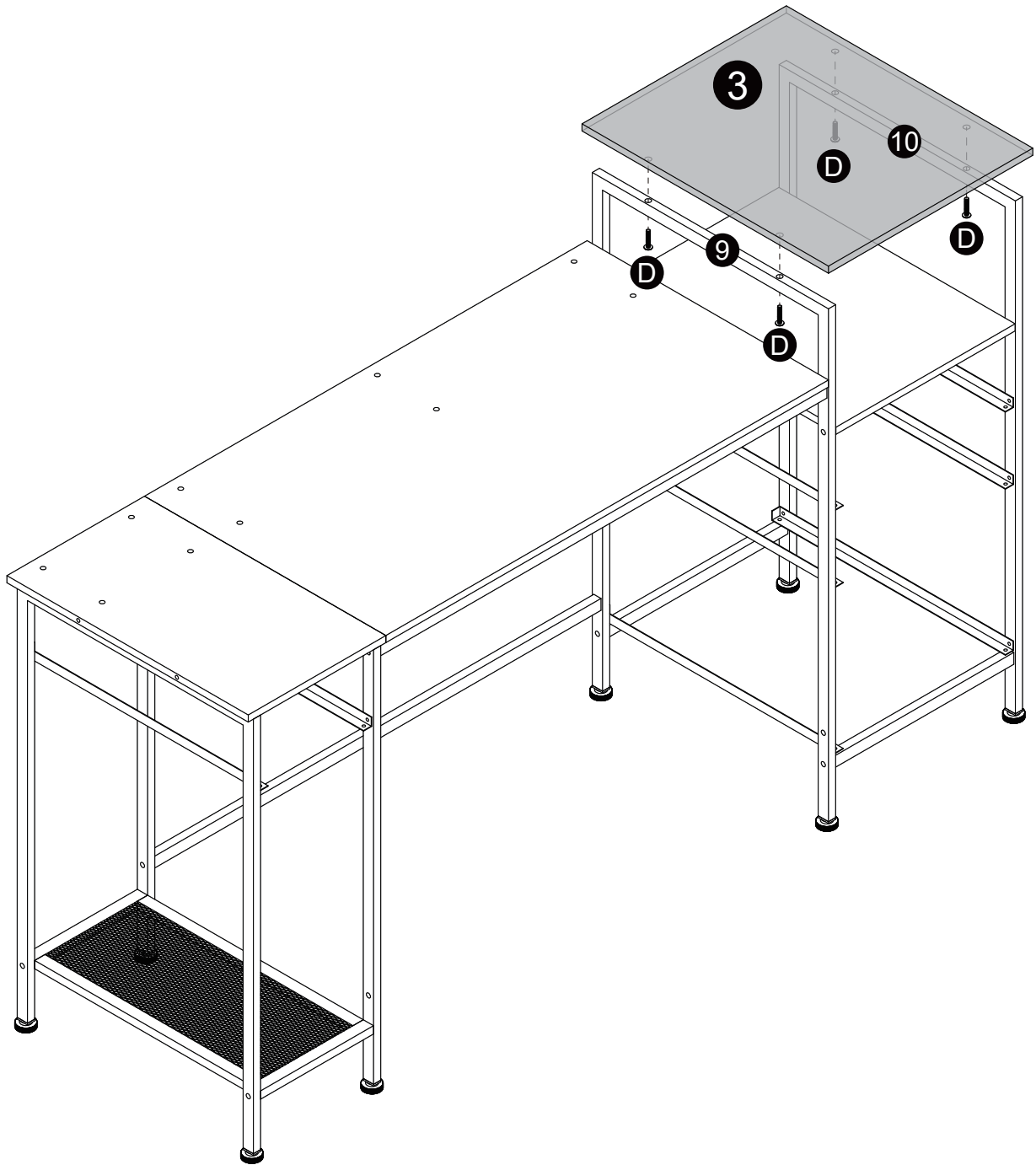
Assembly Instructions

Step8: Connect the board **2** to **1** with wooden pin **M**.
Fix the board **2** on the frame **7** & **8** with screw **D**.



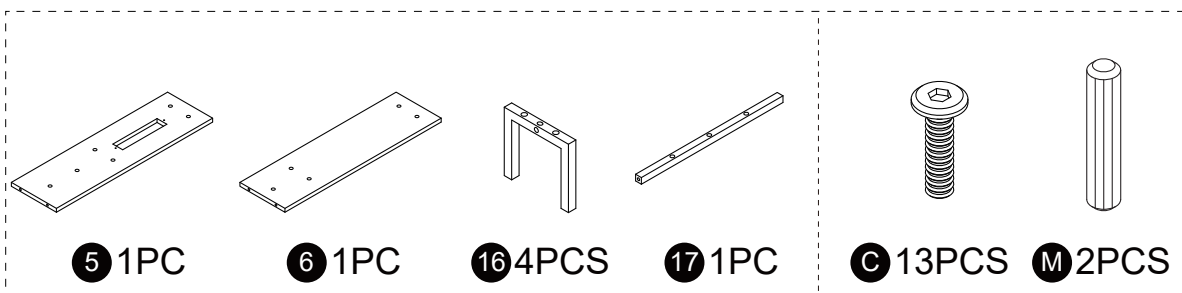
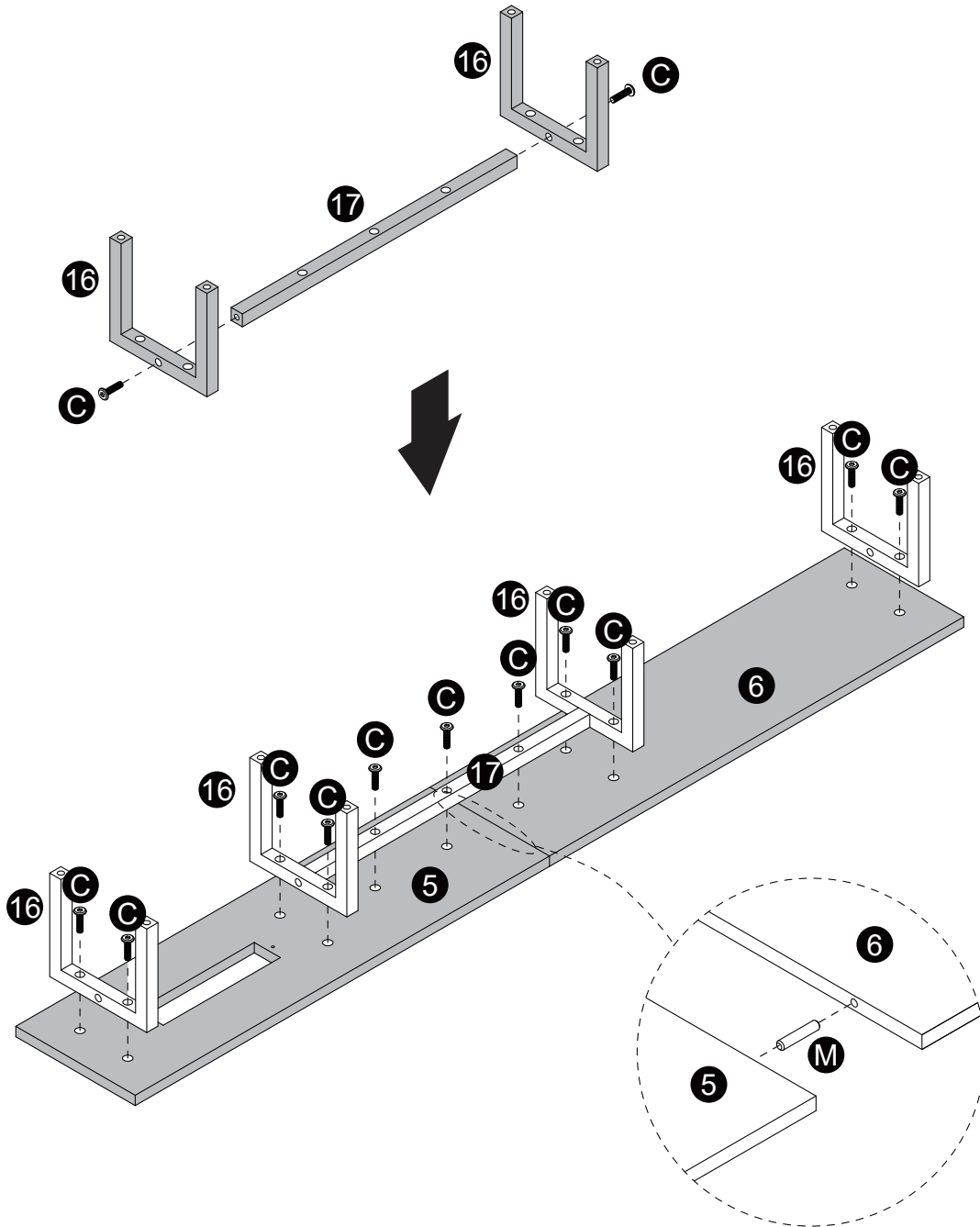
Assembly Instructions

Step9: Fix the board ③ on the frame ⑨ & ⑩ with screw ④



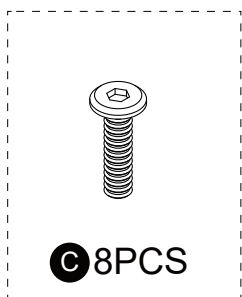
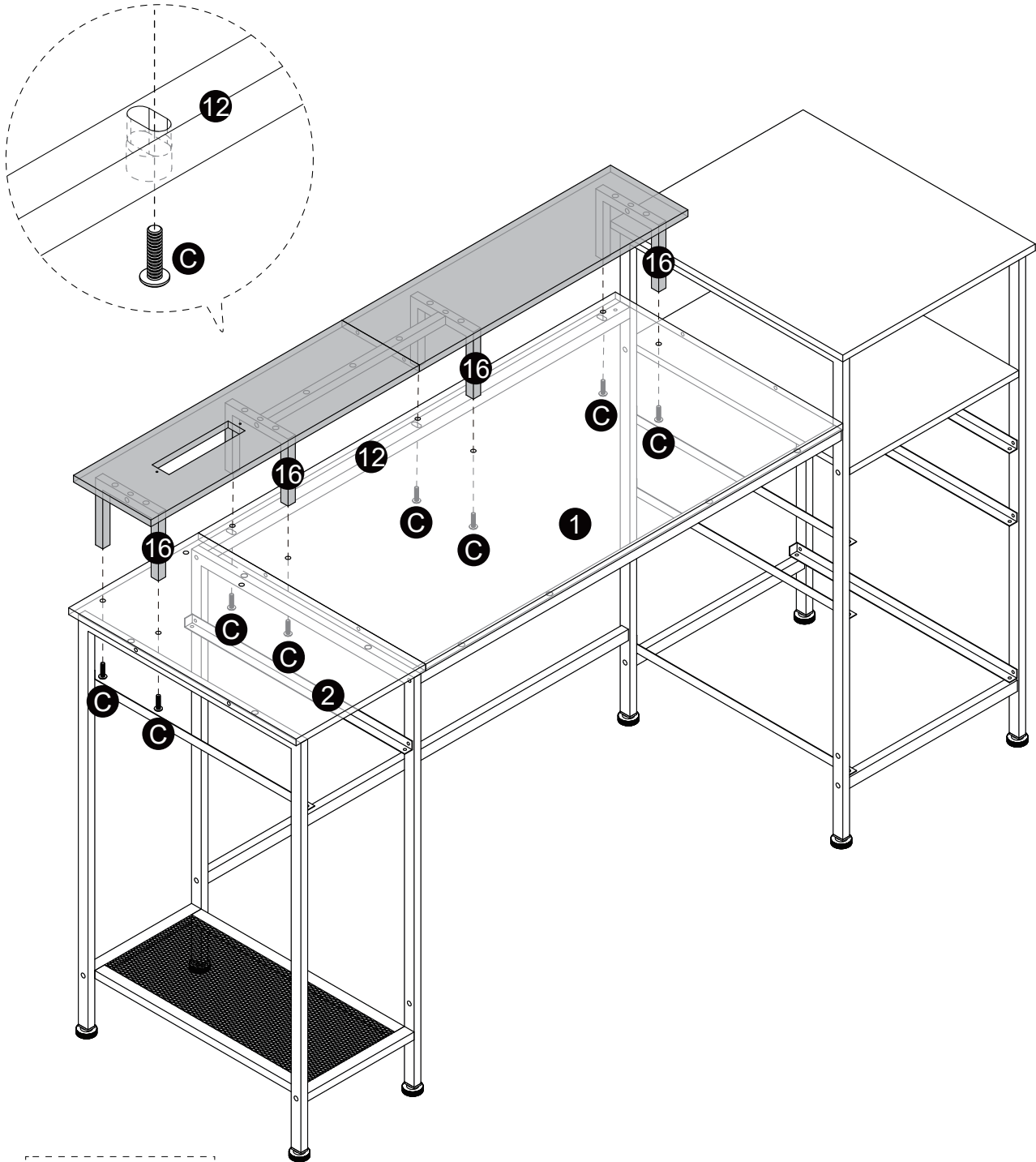
Assembly Instructions

Step10: Fix the bar 17 between the two parts 16. Connect the board 5 to 6 with wooden pin M. Fix the frame 16 & 17 and the other two frame 16 on the board 5 & 6 with screw C.



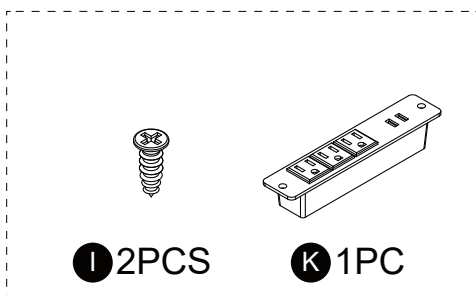
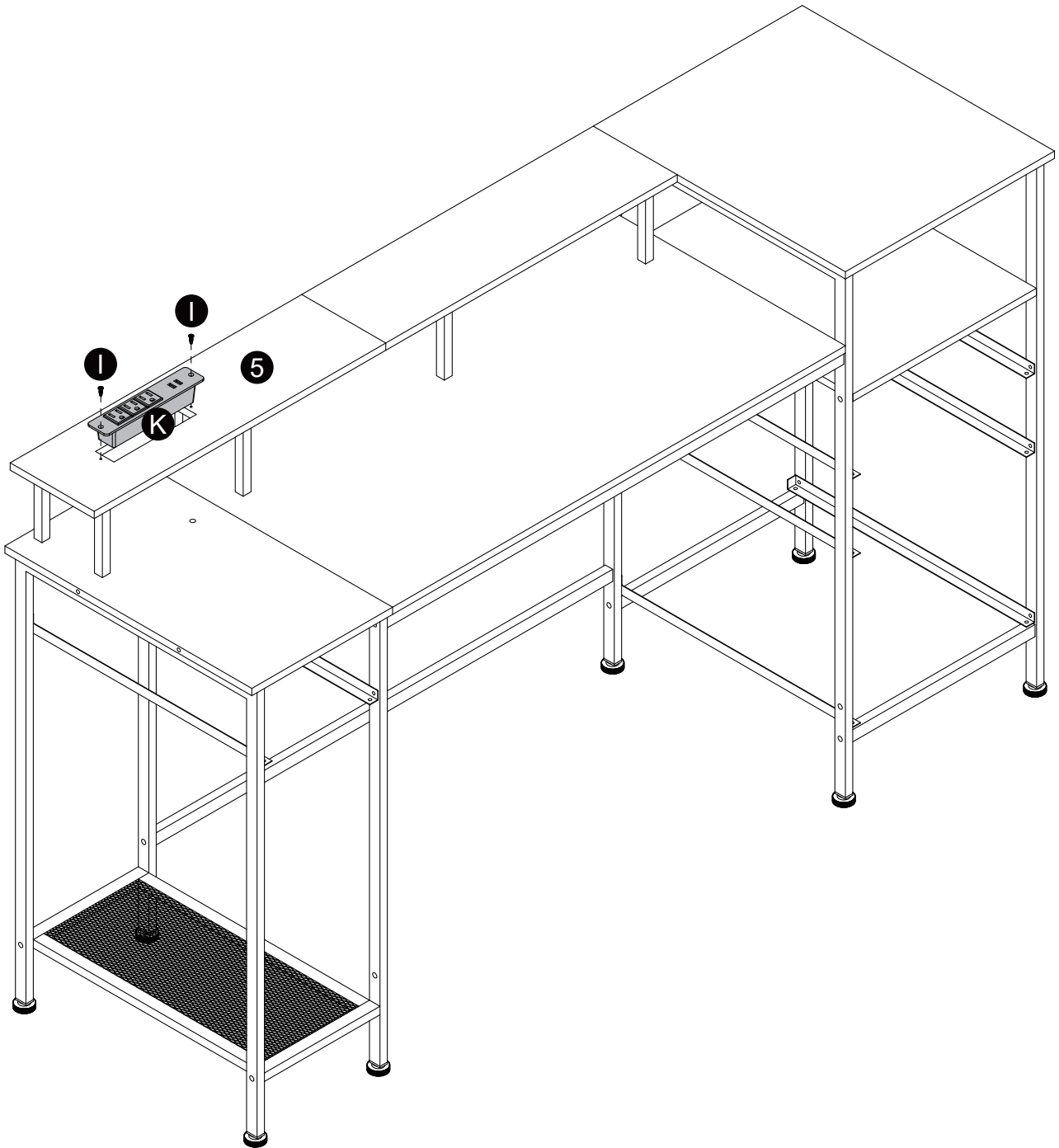
Assembly Instructions

Step 11: Fix the completed frame onto boards 1 & 2 and frame 12 with screw C.



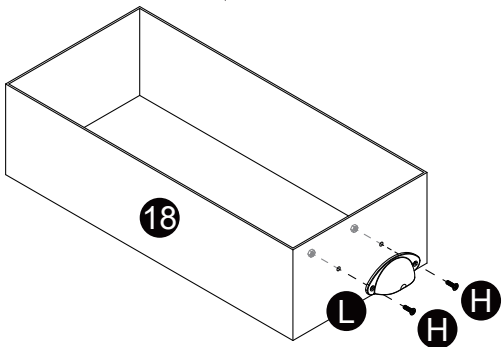
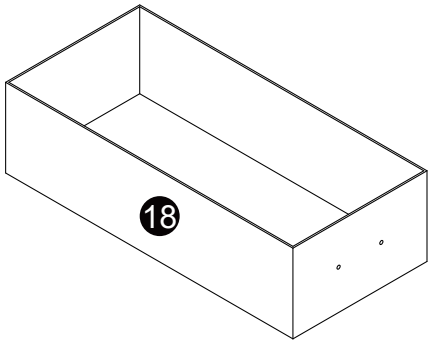
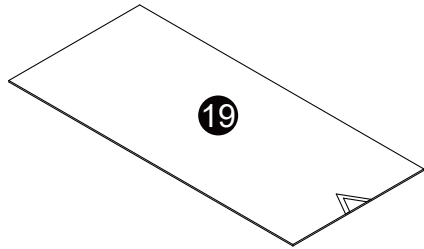
Assembly Instructions

Step12: Fix socket **K** on the board **5** with screw **L**.

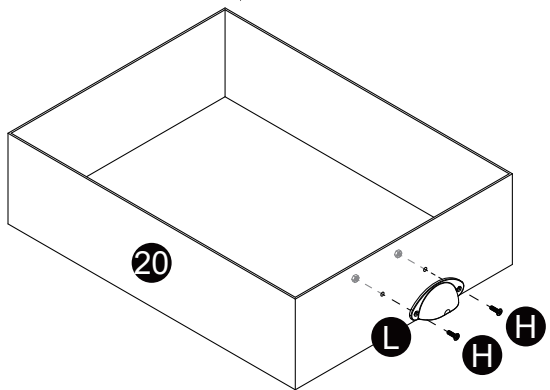
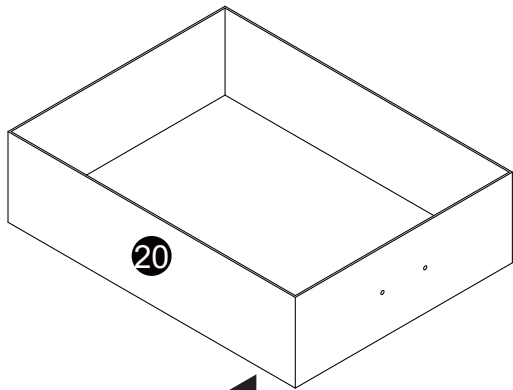
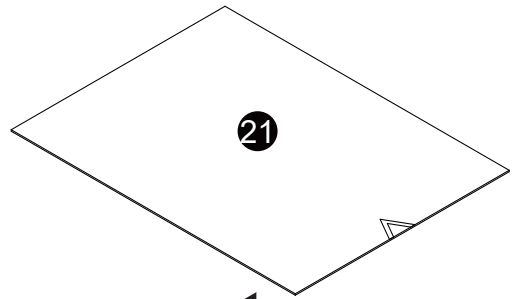


Assembly Instructions

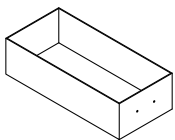
Step13: Assemble the fabric drawers.



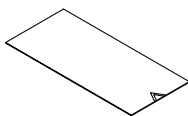
x1



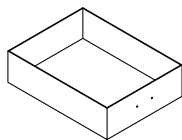
x2



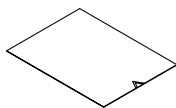
18 1PC



19 1PC



20 2PCS



21 2PCS



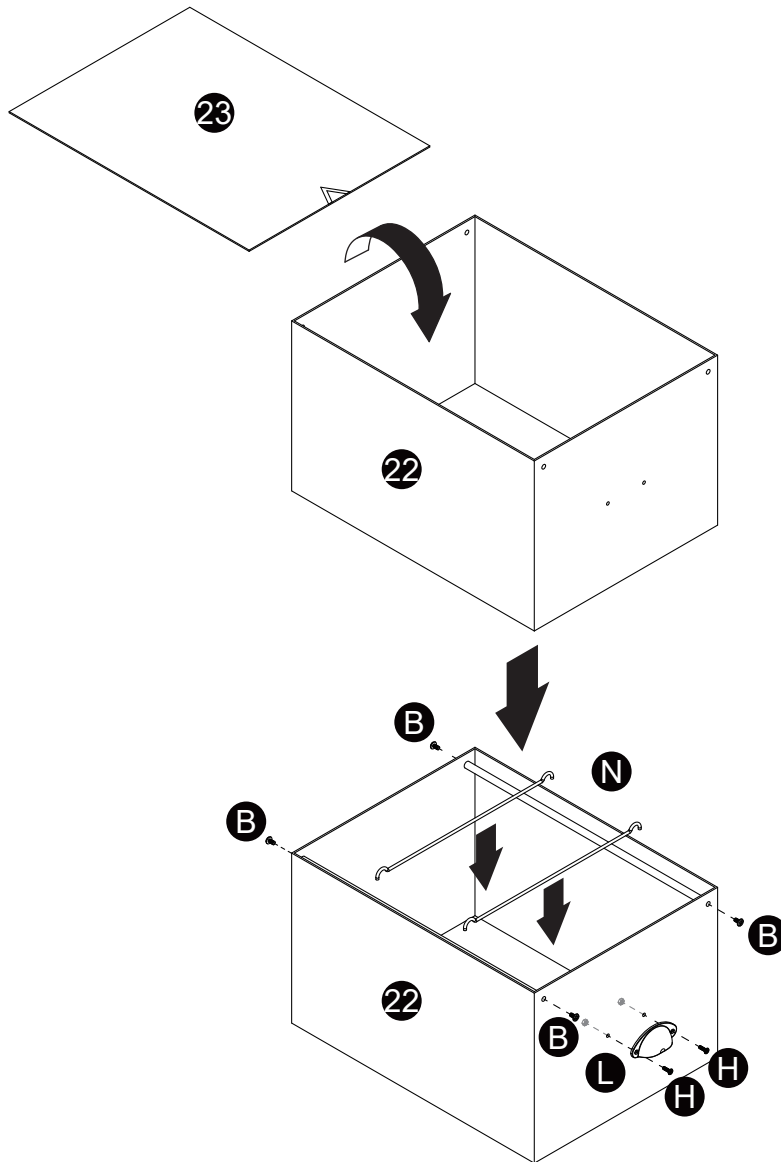
H 6PCS



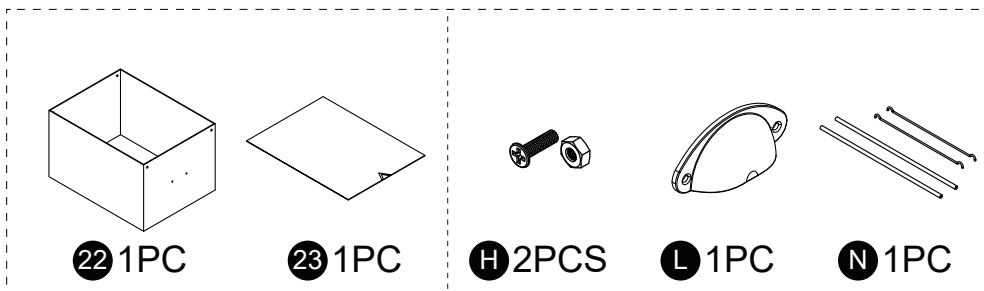
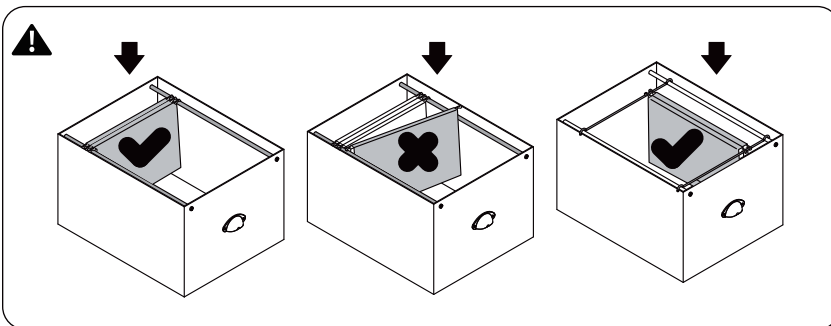
L 3PCS

Assembly Instructions

Step14: Assemble the file drawer.

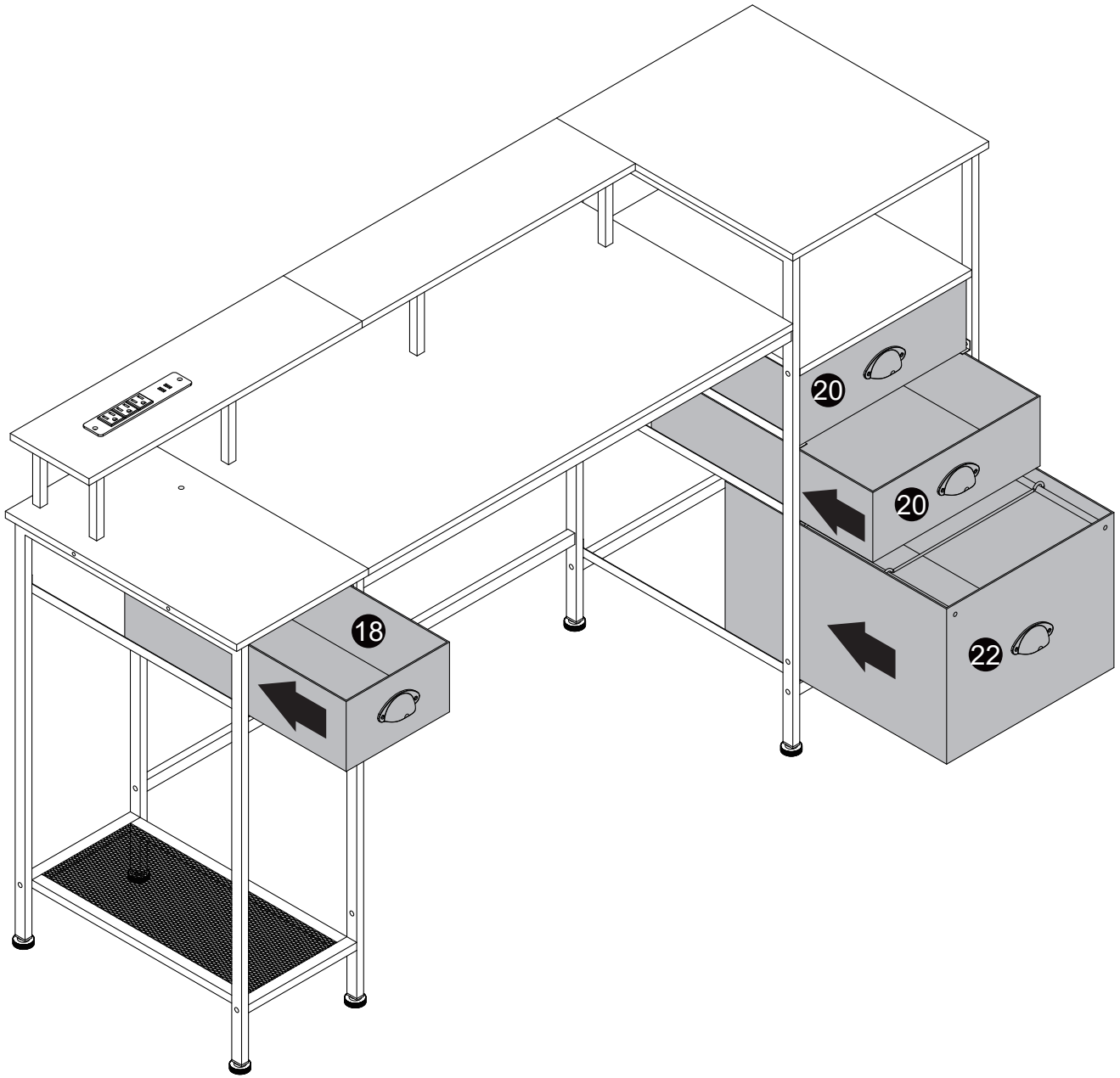


x1



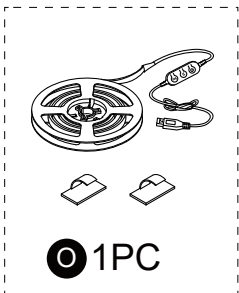
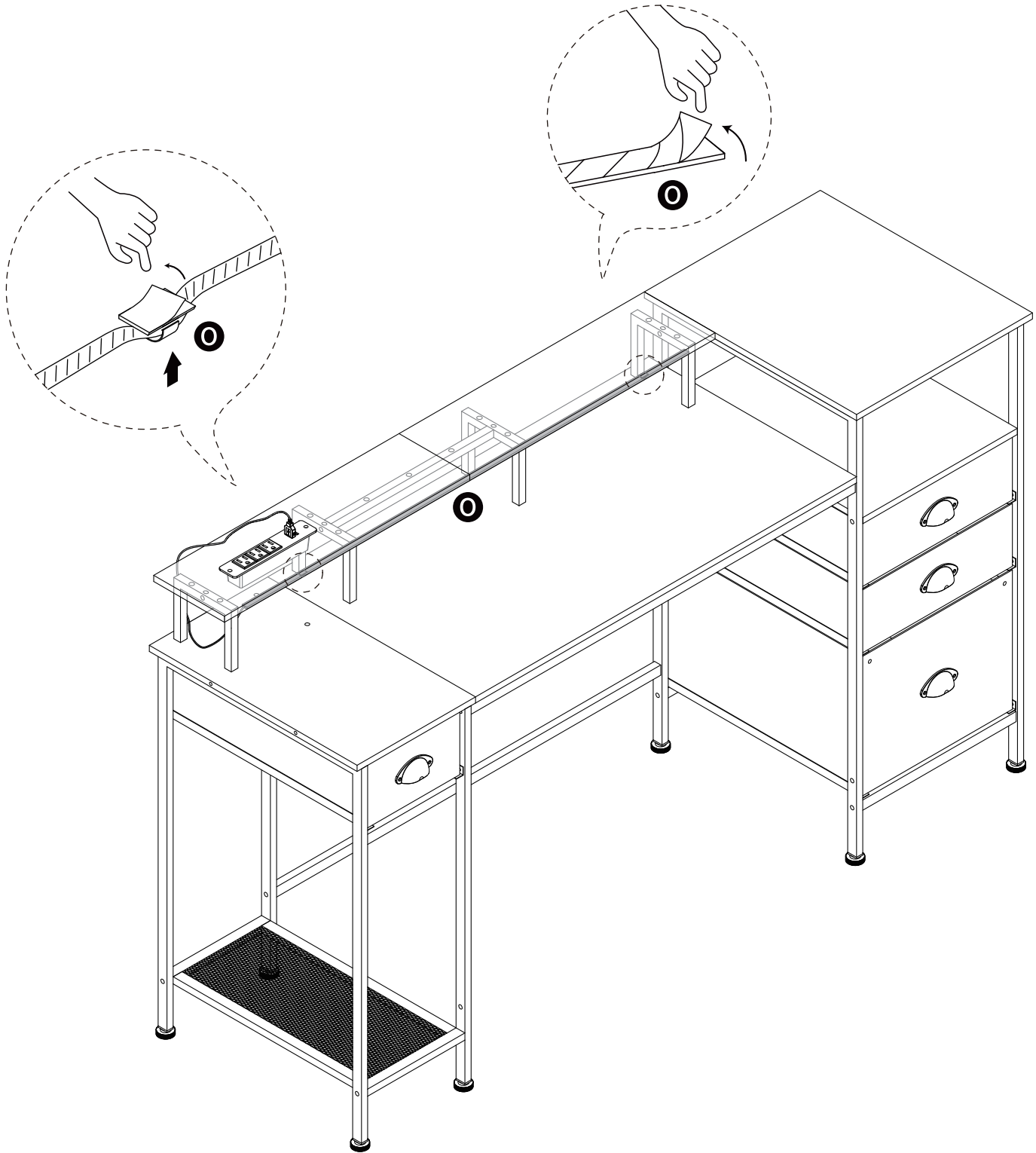
Assembly Instructions

Step15: Put in the drawer.

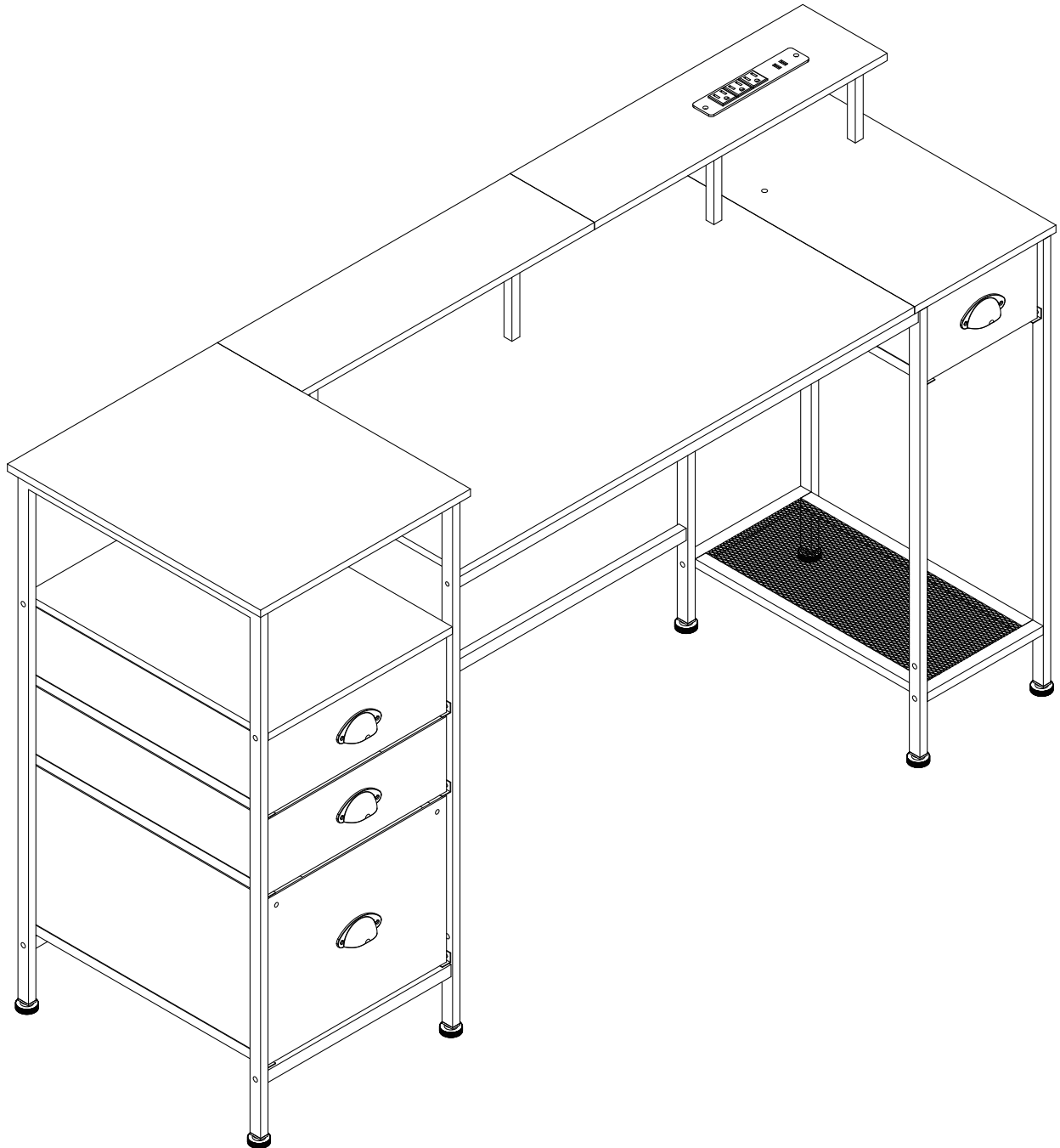


Assembly Instructions

Step16: Install the light strip.

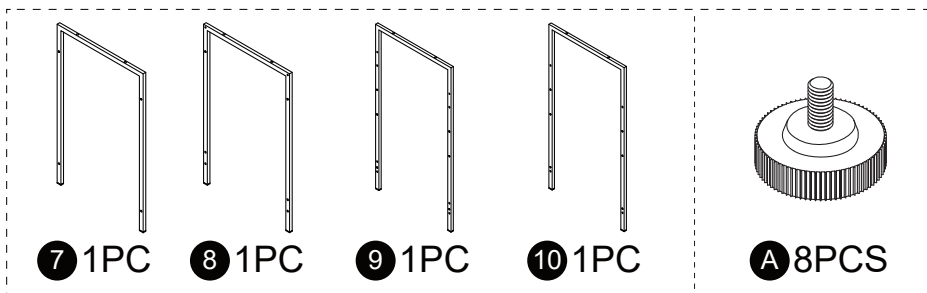
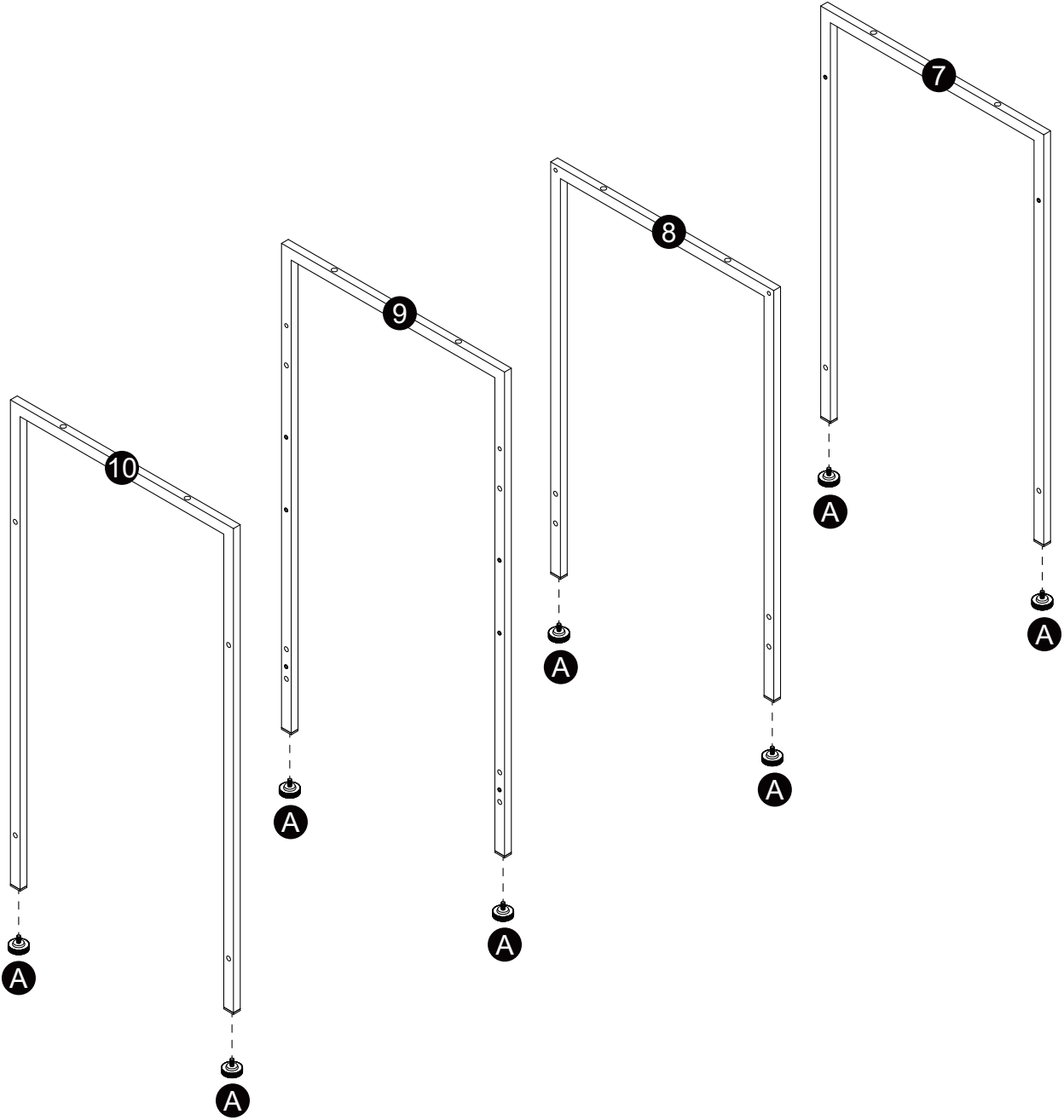


File Drawer on the Left



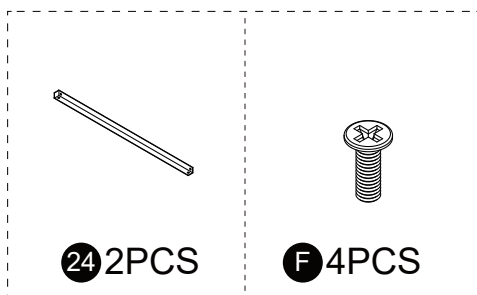
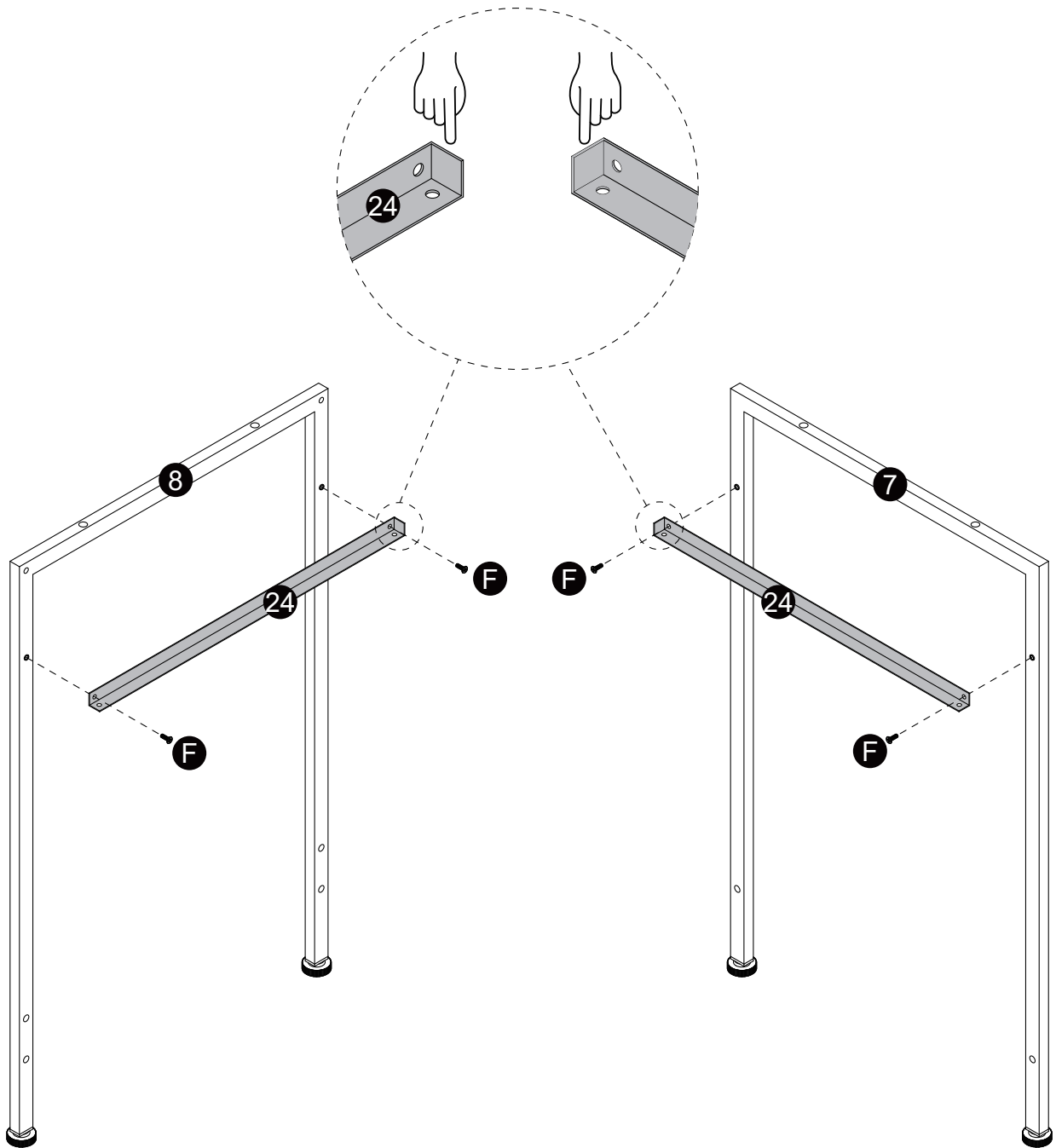
Assembly Instructions

Step1: Installation of adjustable feet **A**.



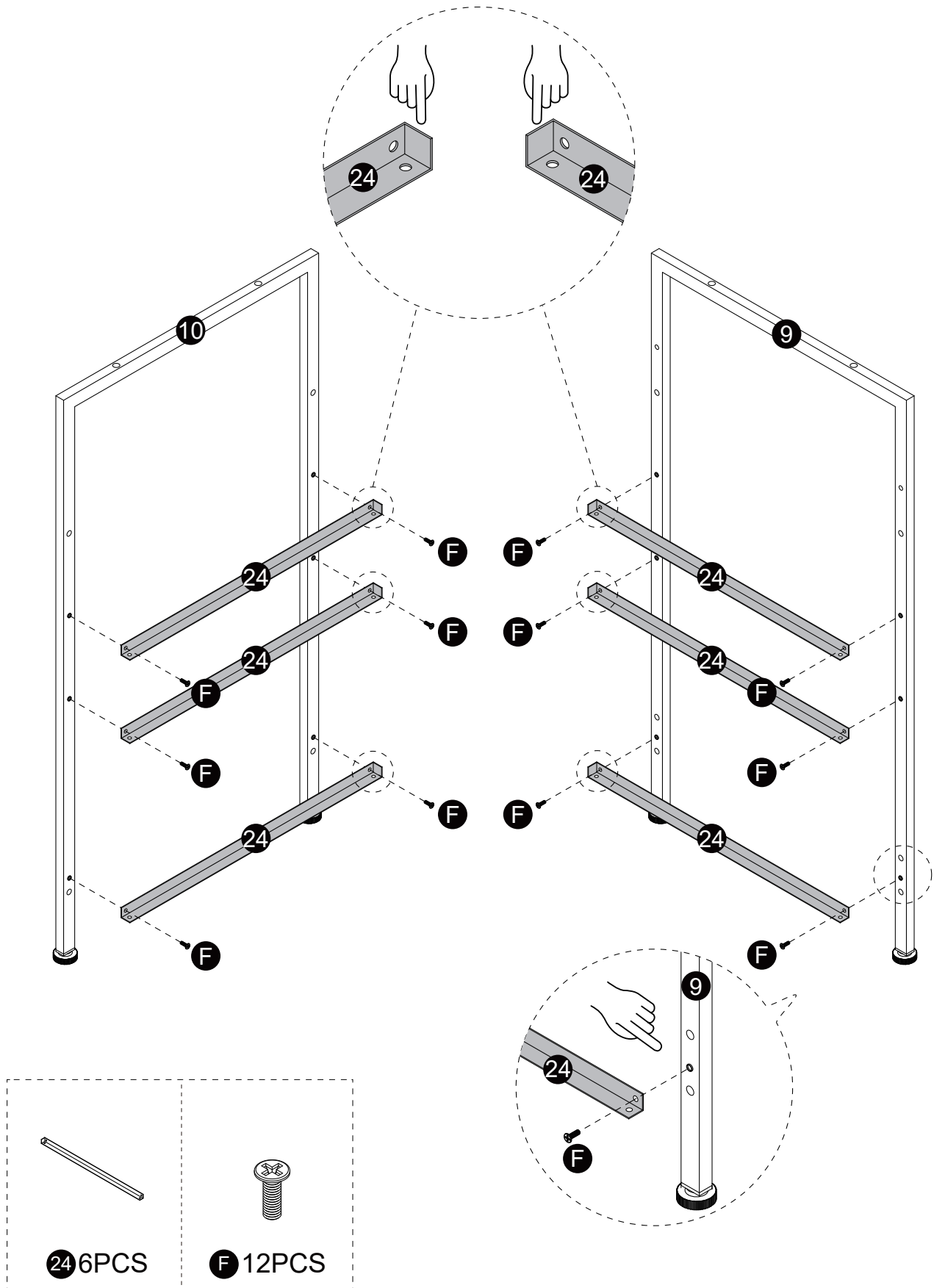
Assembly Instructions

Step2: Fix the part 24 on the frame 7 & 8 with screw F.



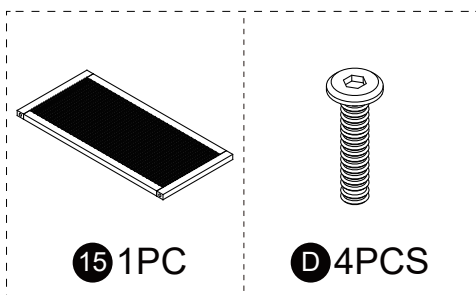
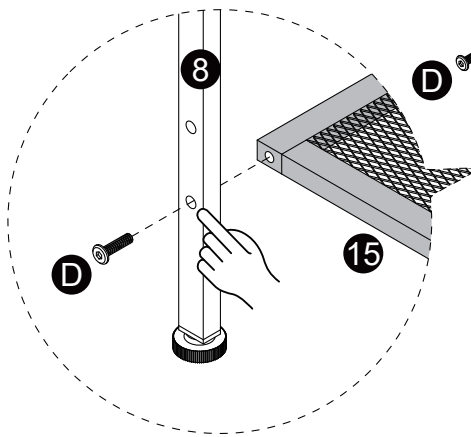
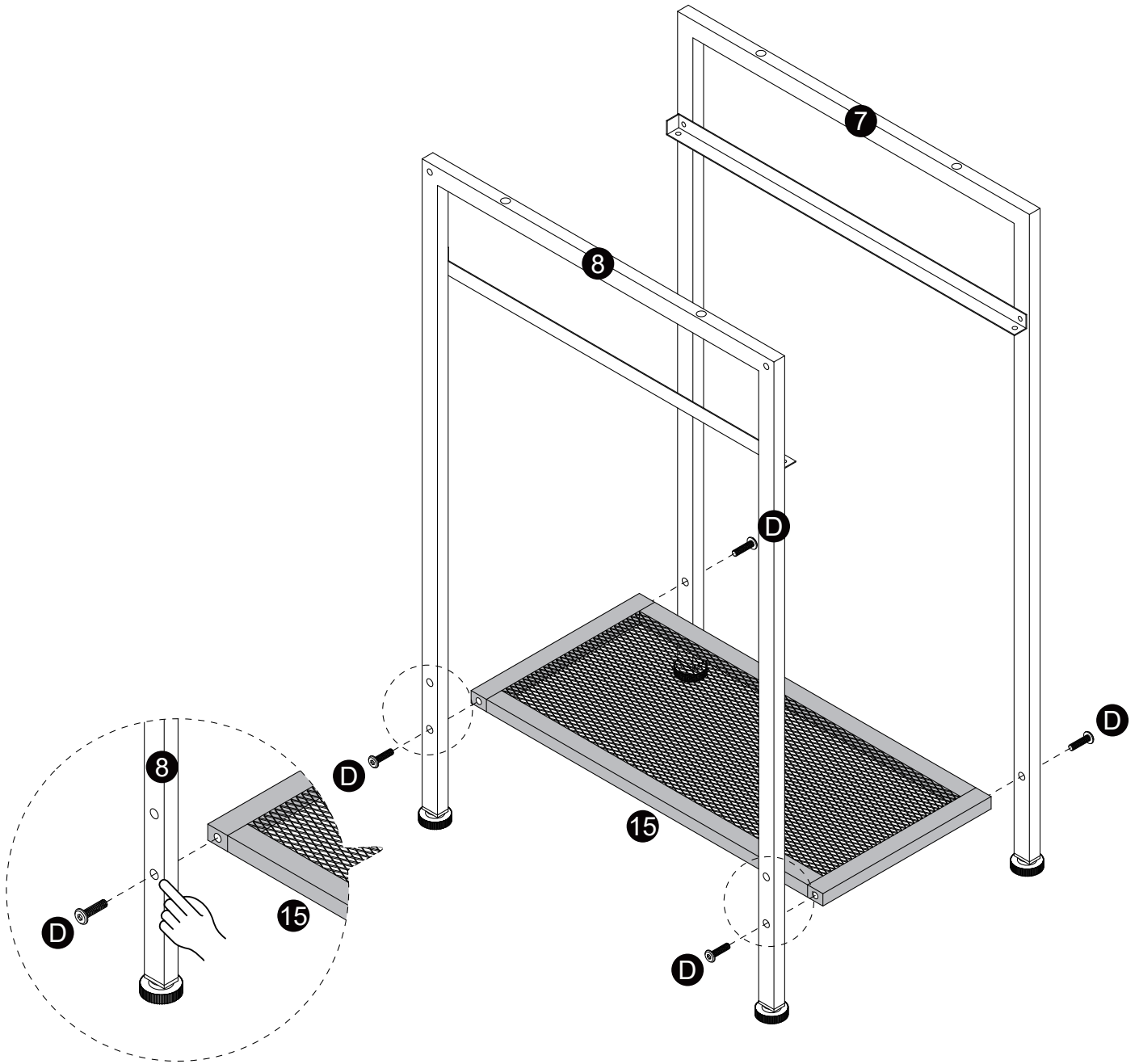
Assembly Instructions

Step3: Fix the part 24 on the frame 9 & 10 with screw F .



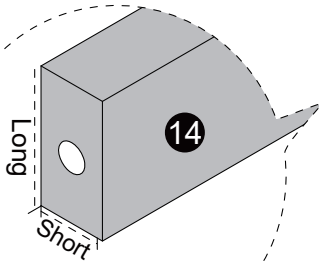
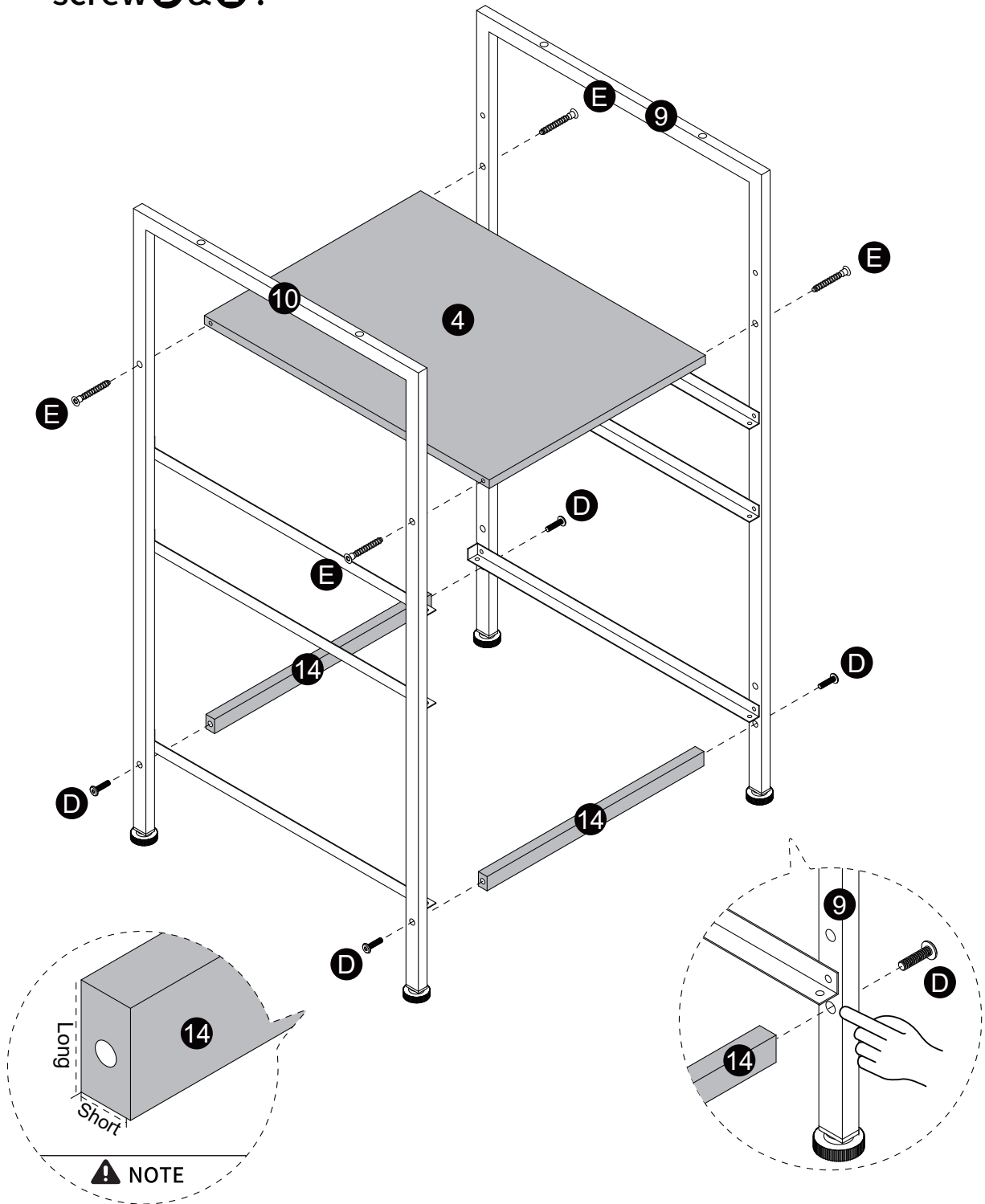
Assembly Instructions

Step4: Fix the component 15 between the frame 7&8 with screw D .

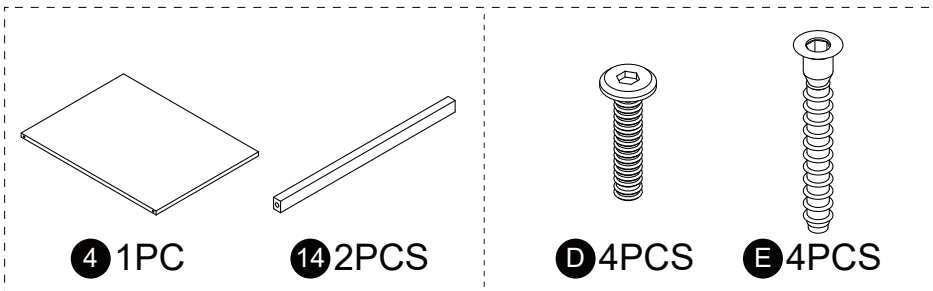


Assembly Instructions

Step5: Fix the board ④ and part ⑭ between the frame ⑨ & ⑩ with screw ① & ②.

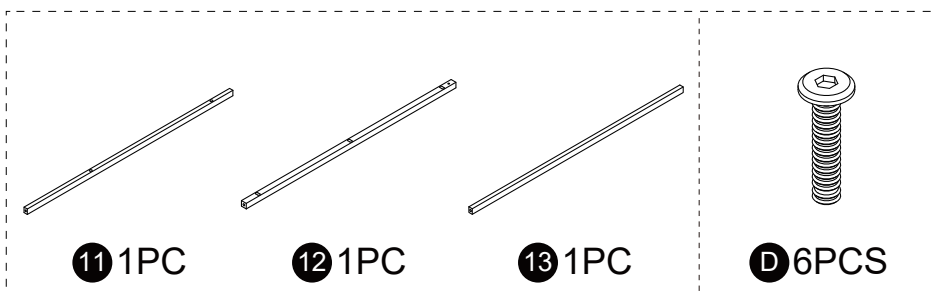
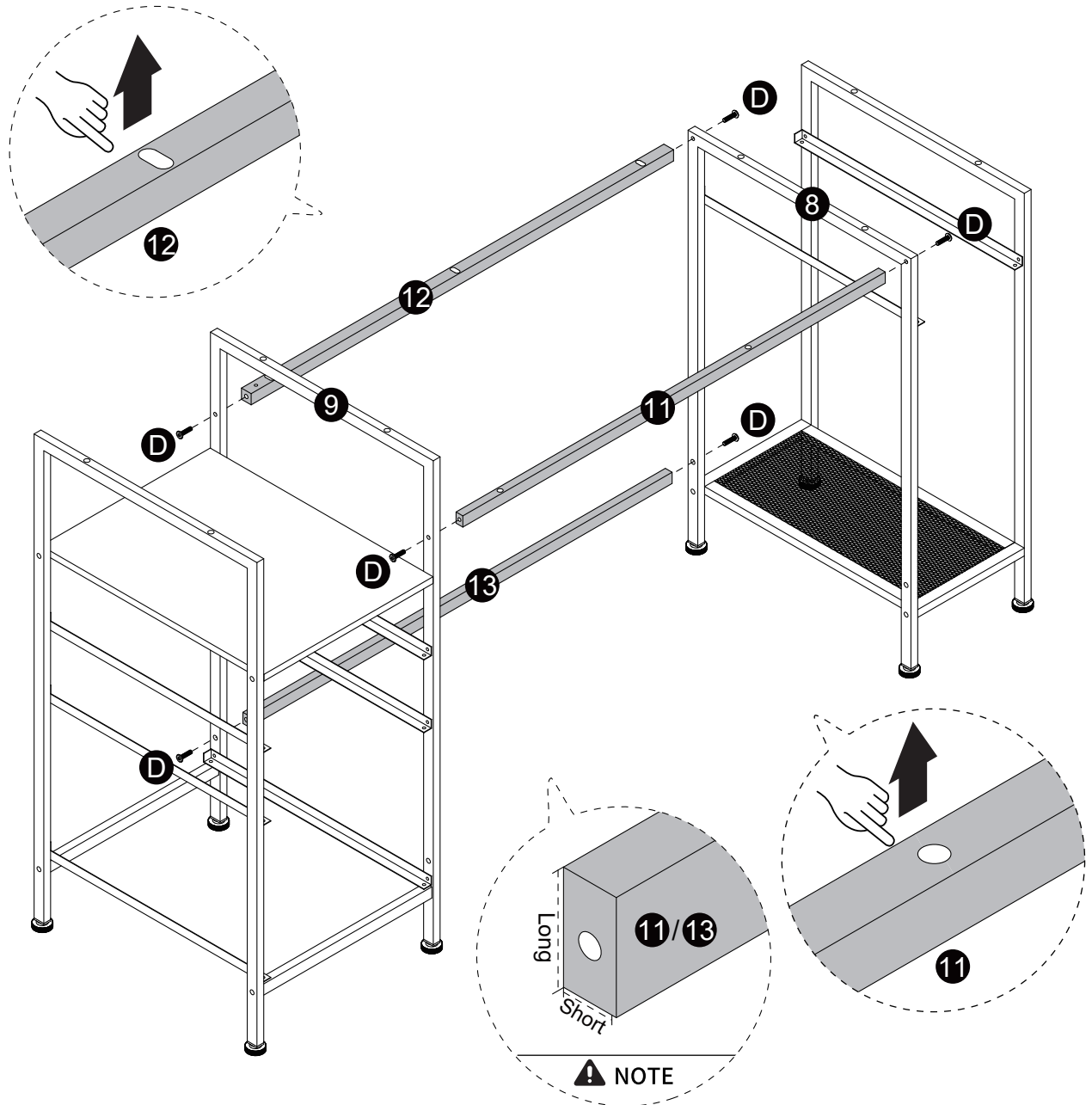


NOTE



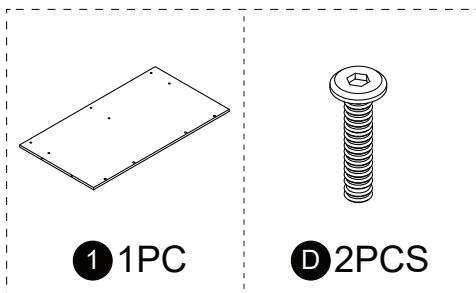
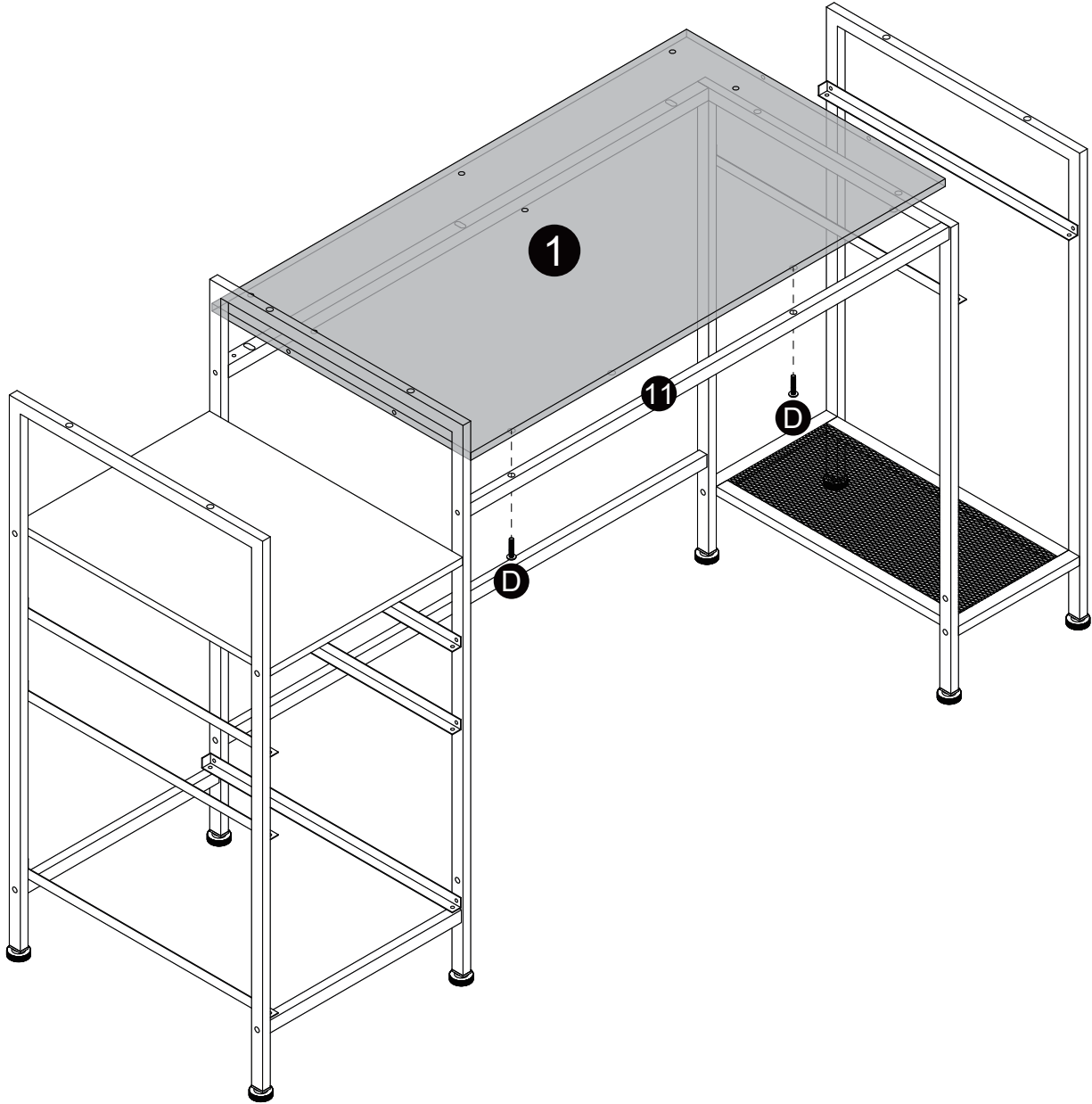
Assembly Instructions

Step6: Fix the bar ⑪ & ⑫ & ⑬ between the frame ⑧ & ⑨ with screw ④.



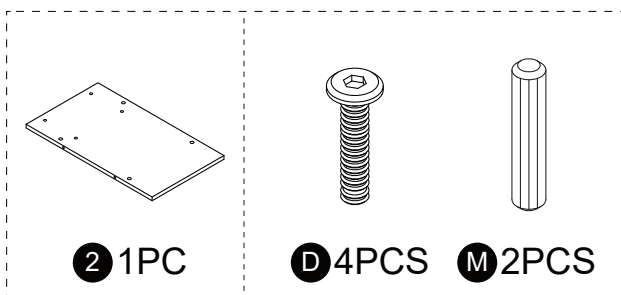
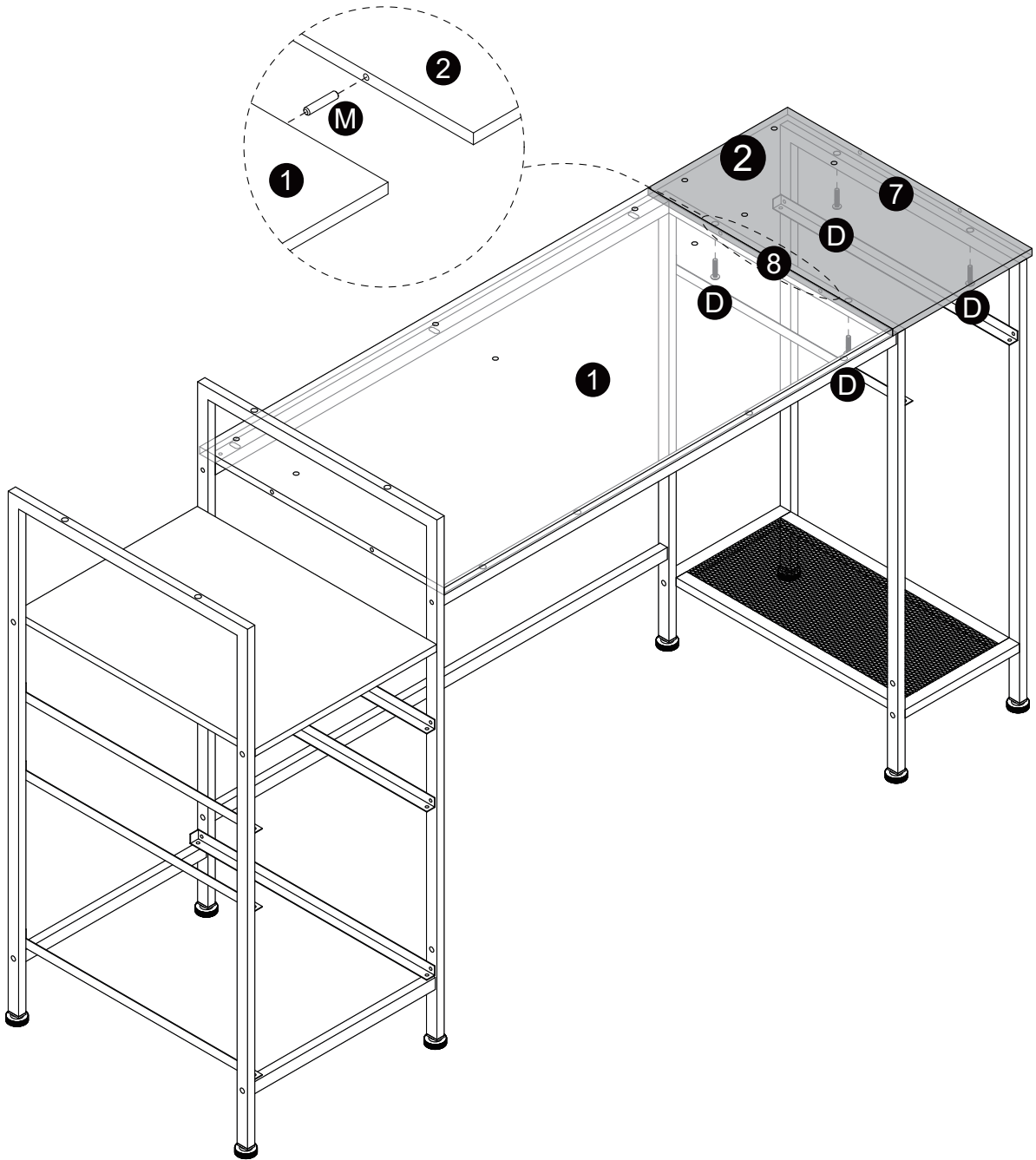
Assembly Instructions

Step7: Fix the board **1** on the frame **11** with screw **D**.



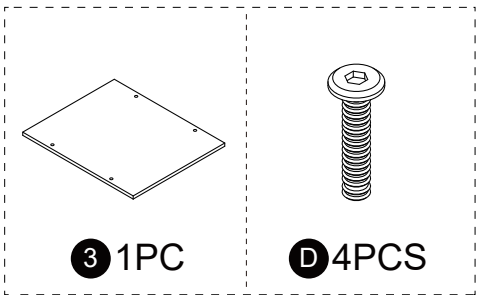
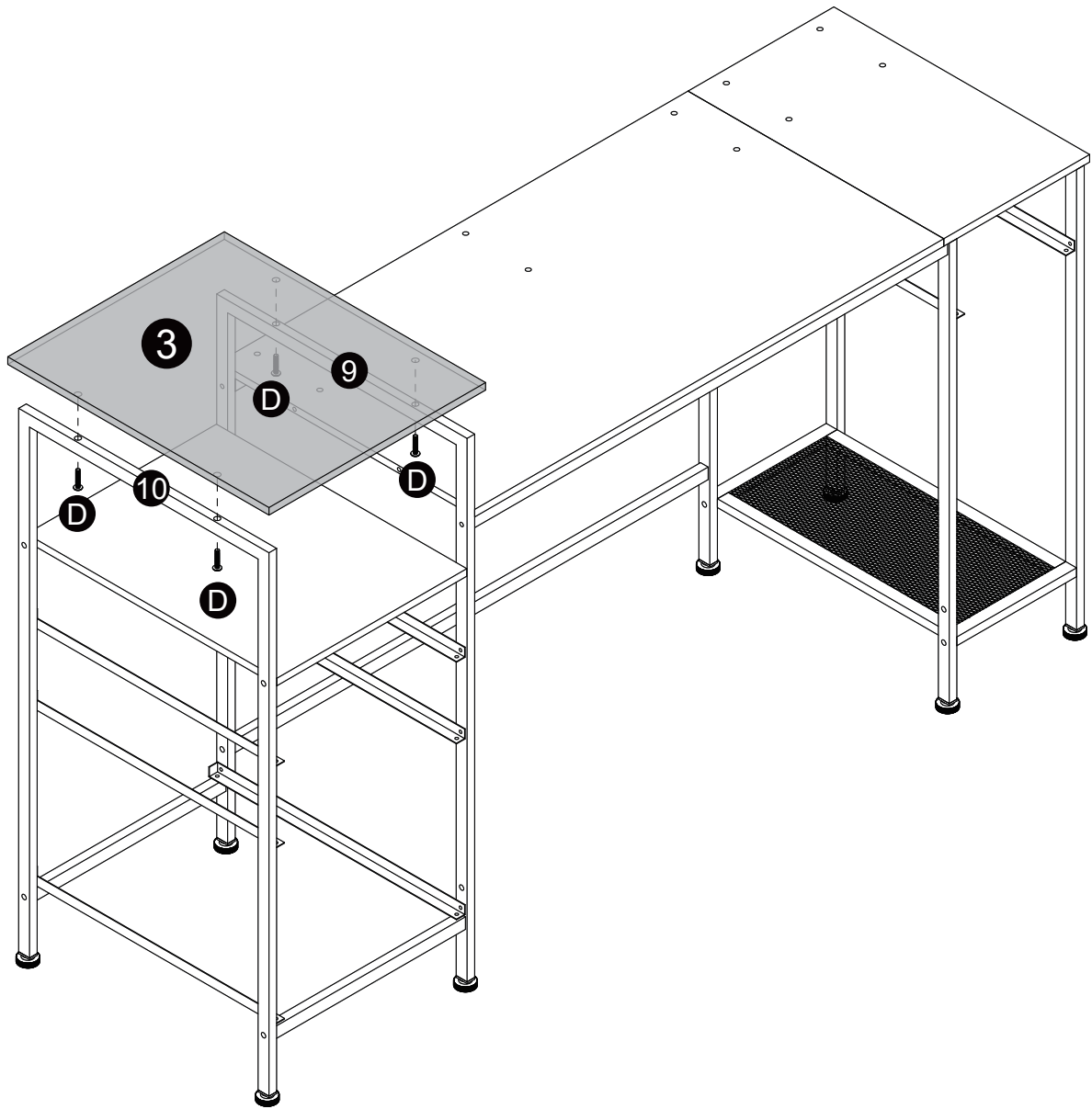
Assembly Instructions

Step8: Connect the board ② to ① with wooden pin ①. Fix the board ② on the frame ⑦ & ⑧ with screw ②.



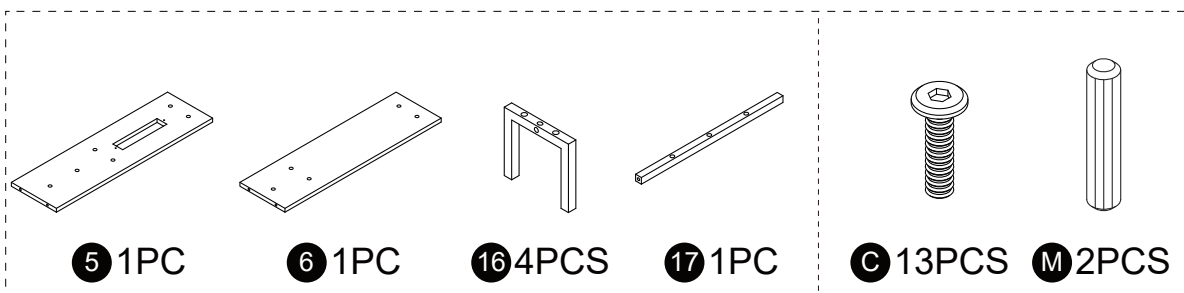
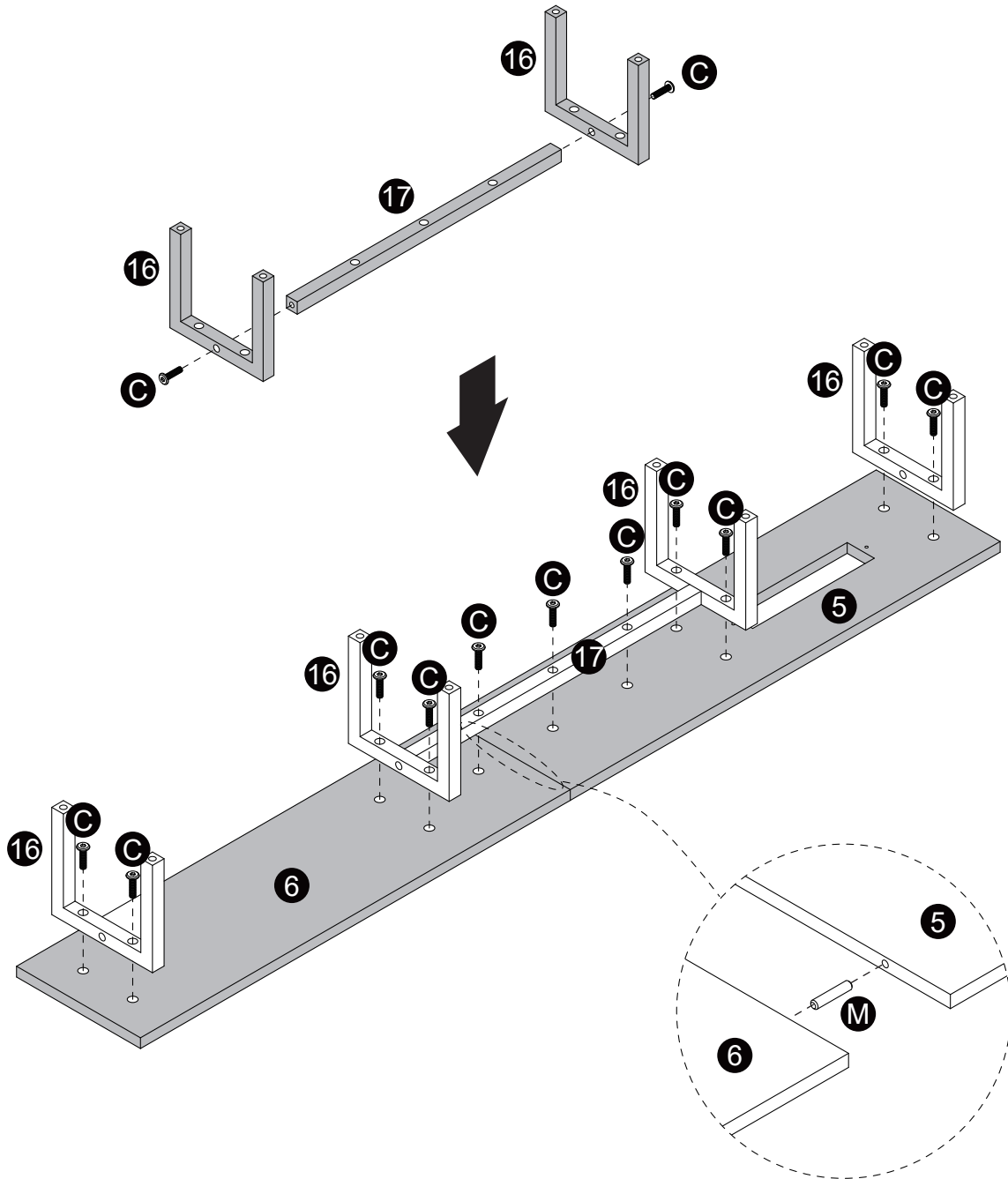
Assembly Instructions

Step9: Fix the board **3** on the frame **9** & **10** with screw **D**



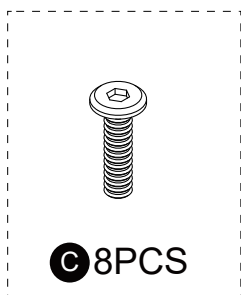
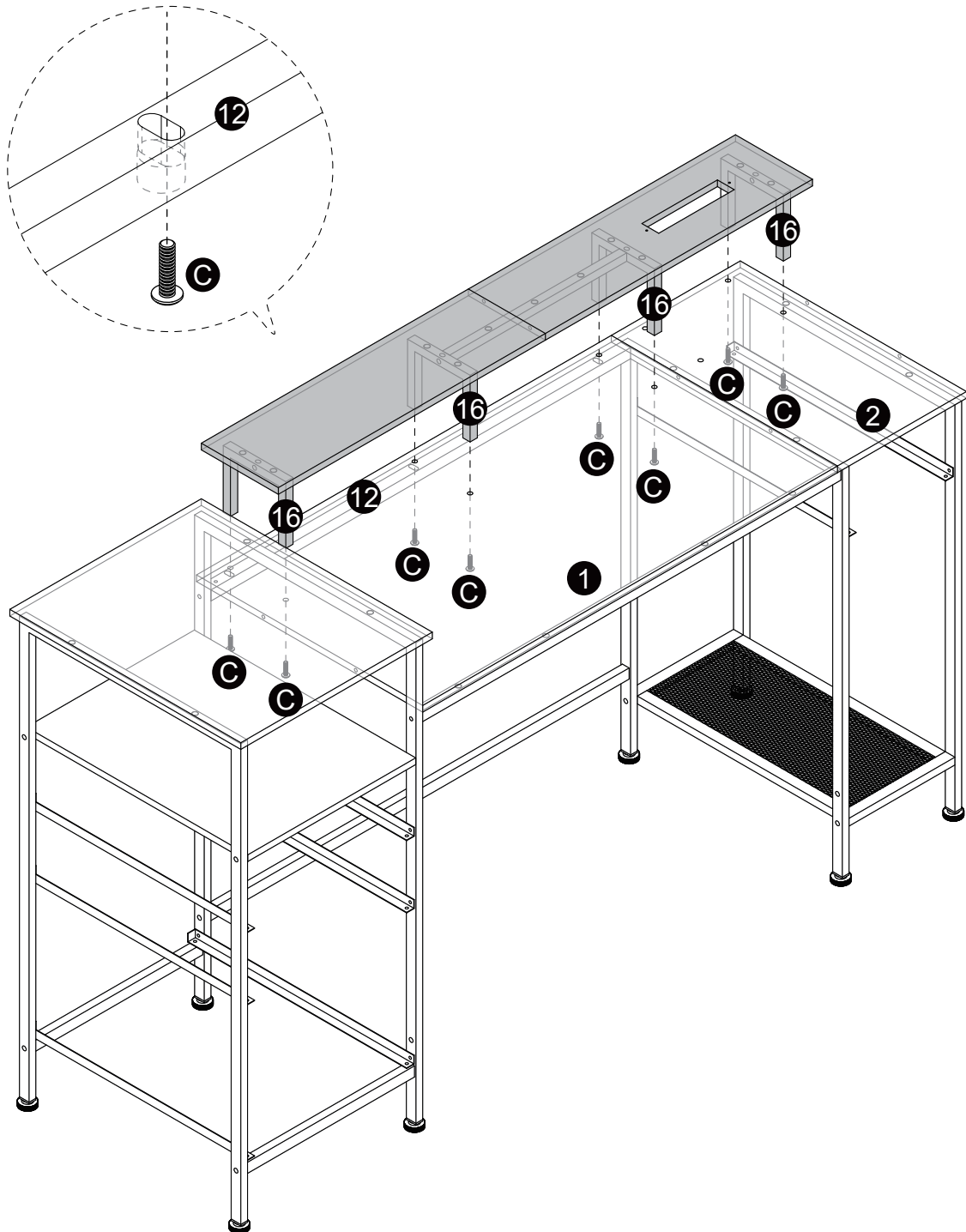
Assembly Instructions

Step10: Fix the bar 17 between the two parts 16. Connect the board 5 to 6 with wooden pin M. Fix the frame 16 & 17 and the other two frame 16 on the board 5 & 6 with screw C.



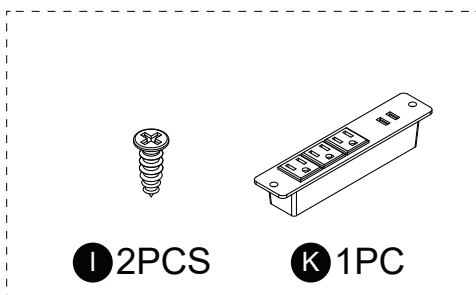
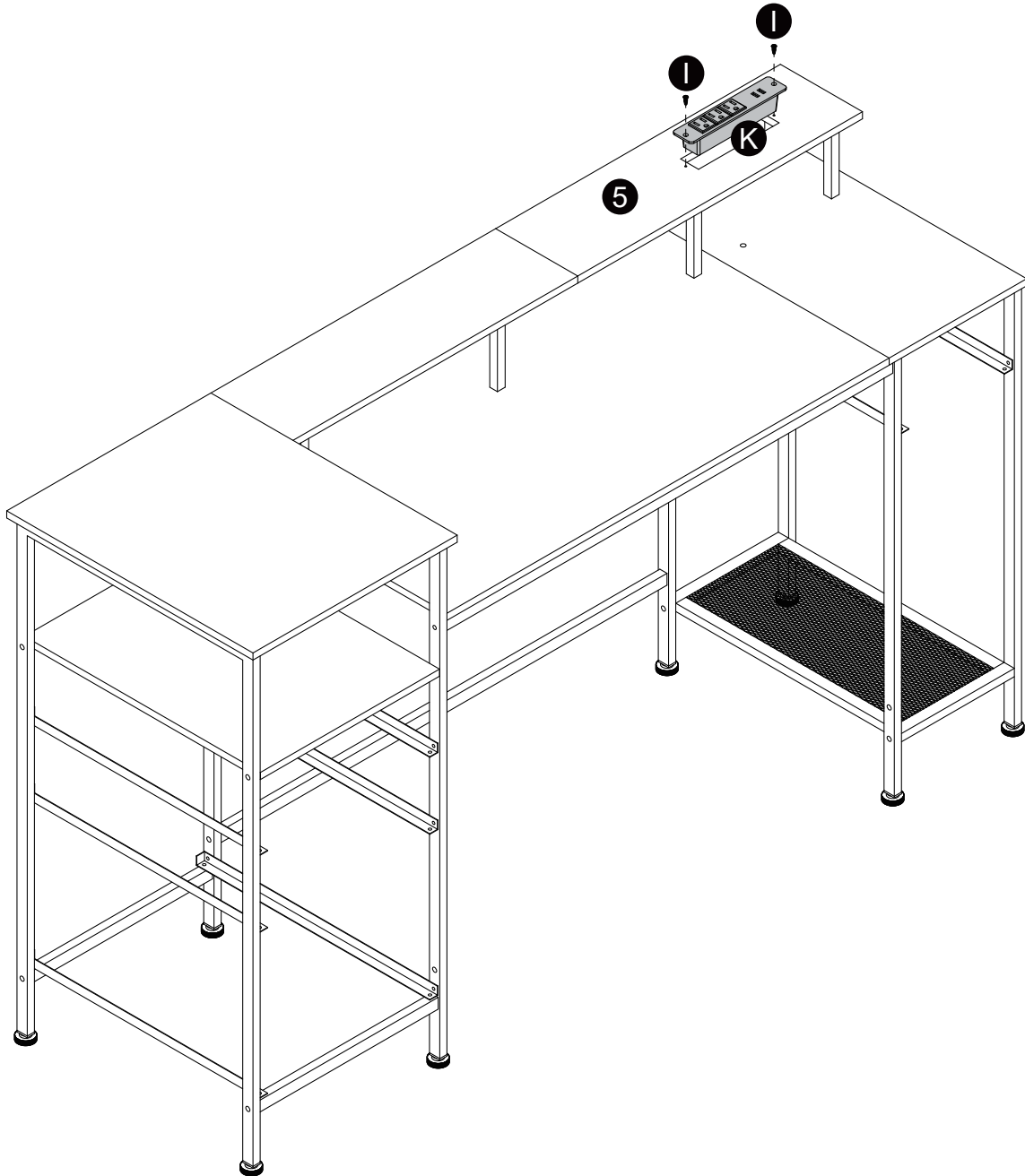
Assembly Instructions

Step 11: Fix the completed frame onto boards ① & ② and frame ⑫ with screw ③.



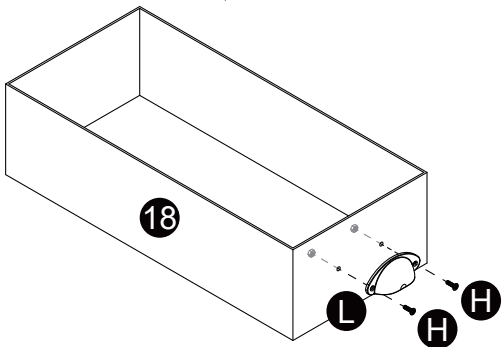
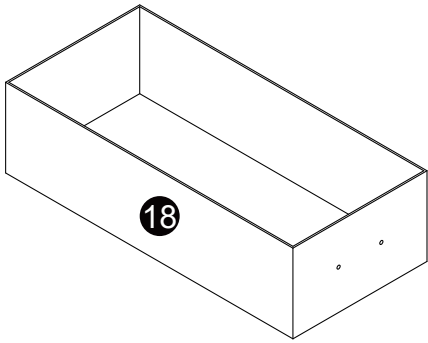
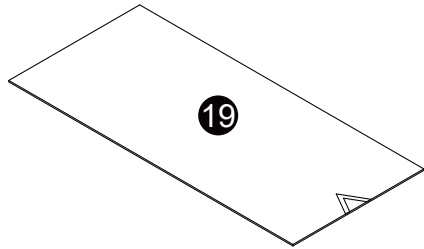
Assembly Instructions

Step12: Fix socket **K** on the board **5** with screw **I**.

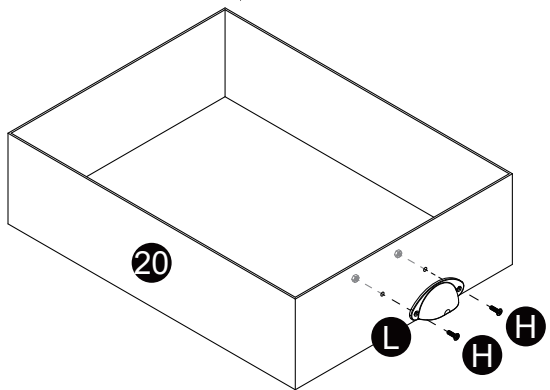
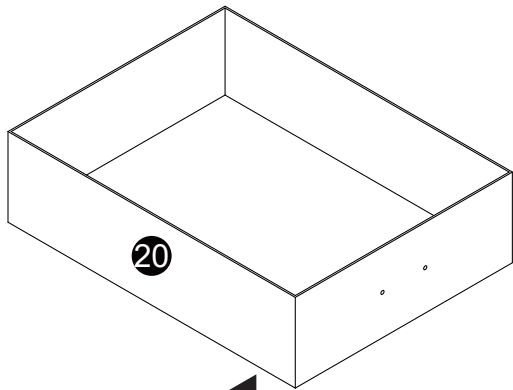
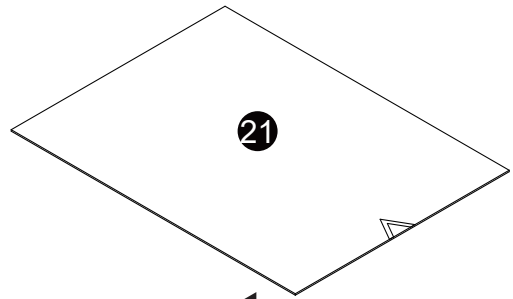


Assembly Instructions

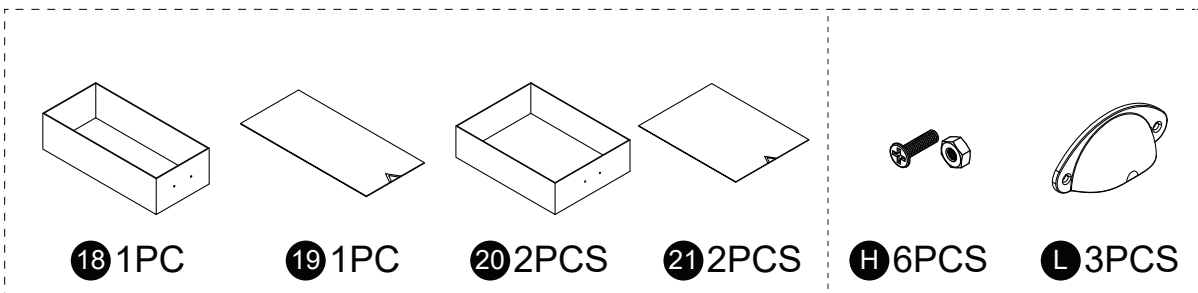
Step13: Assemble the fabric drawers.



x1

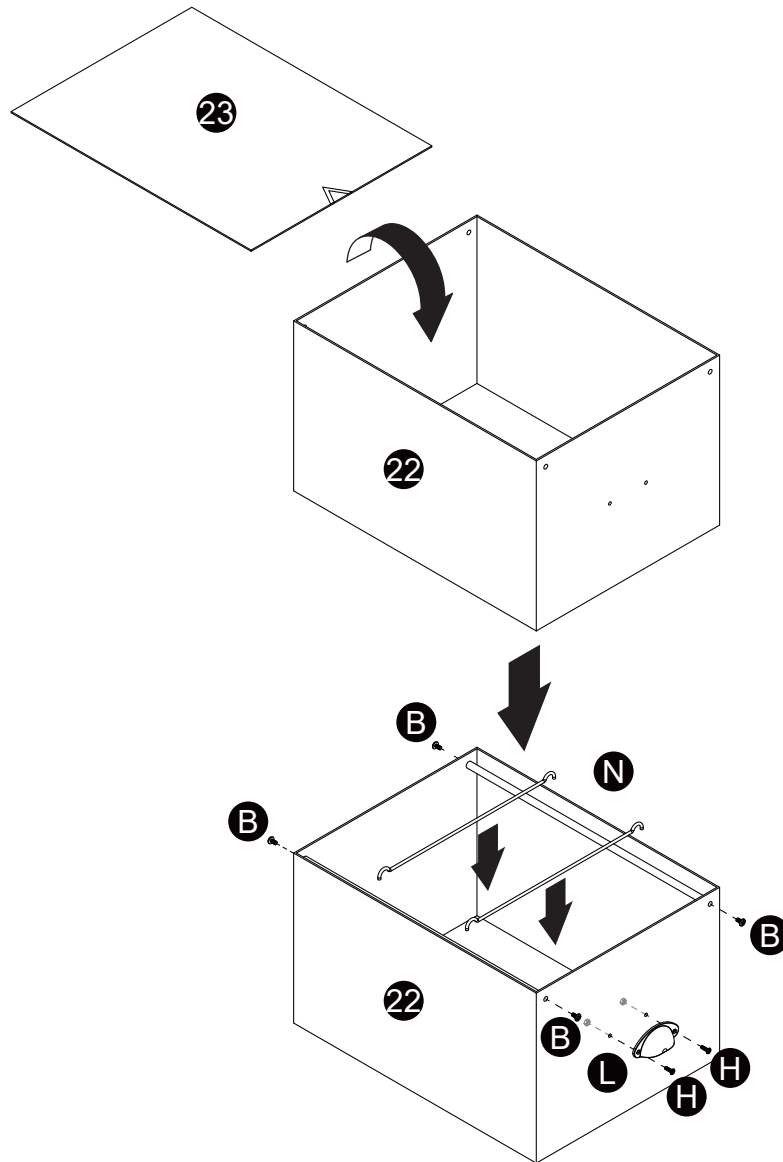


x2

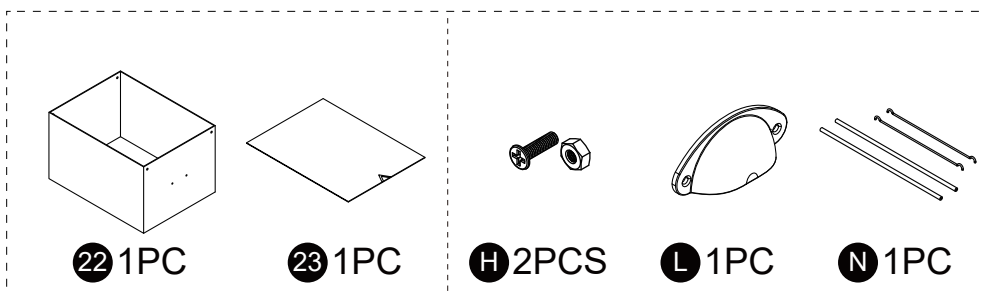
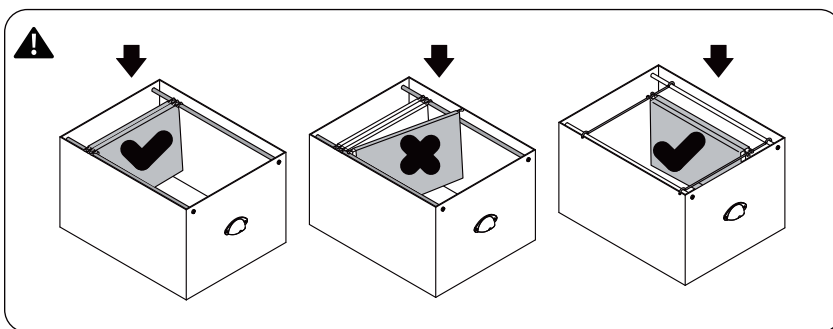


Assembly Instructions

Step14: Assemble the file drawer.

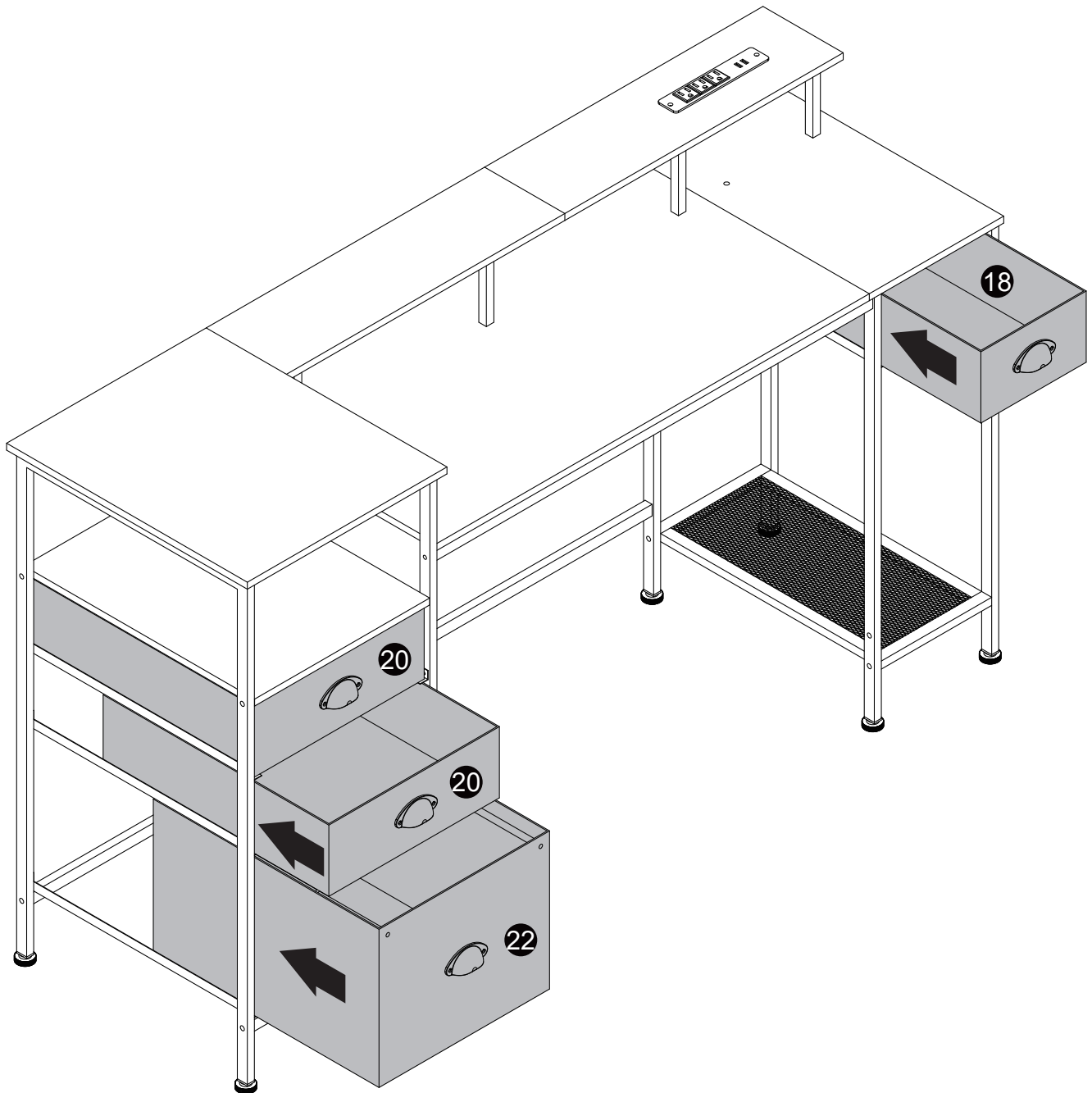


x1



Assembly Instructions

Step15: Put in the drawer.



Assembly Instructions

Step 16: Install the light strip.

