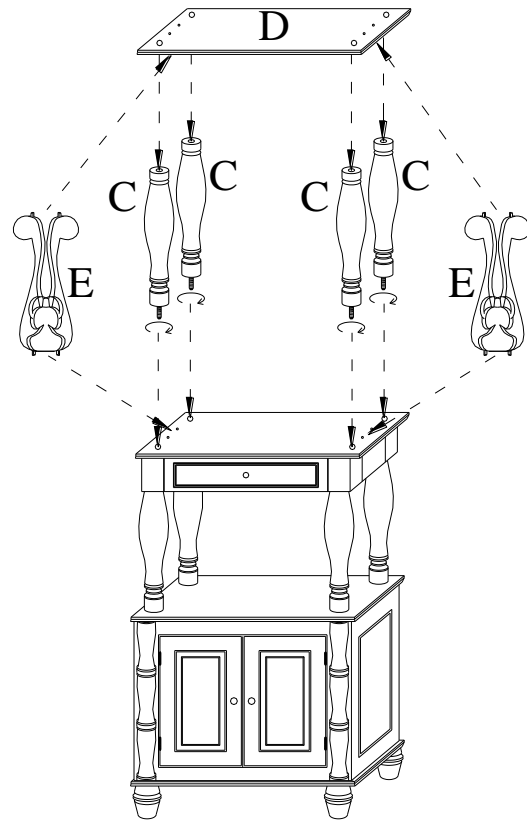
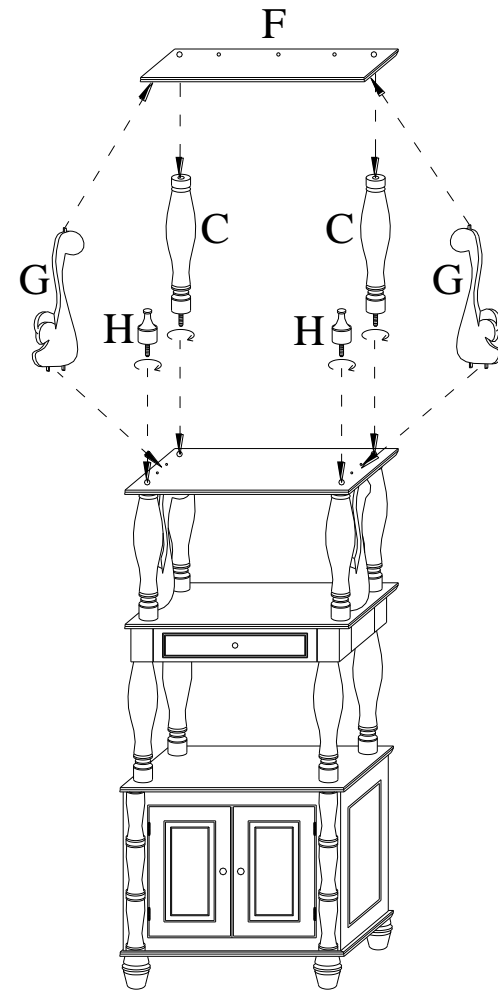


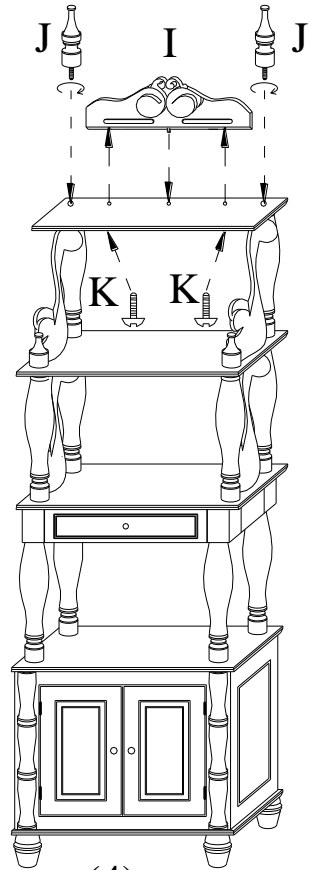
(1)



(2)



(3)



(4)

Parts:

A	Main Body	1 pc
B	Leg	4 pcs
C	Pole	6 pcs
D	Big Shelf	1 pc
E	Big Carved Decorator	2 pcs
F	Small Shelf	1 pc
G	Small Carved Decorator	2 pcs
H	Short Cap	2 pcs
I	Carved Back	1 pc
J	Long Cap	2 pcs
K	Screw	2 pcs