



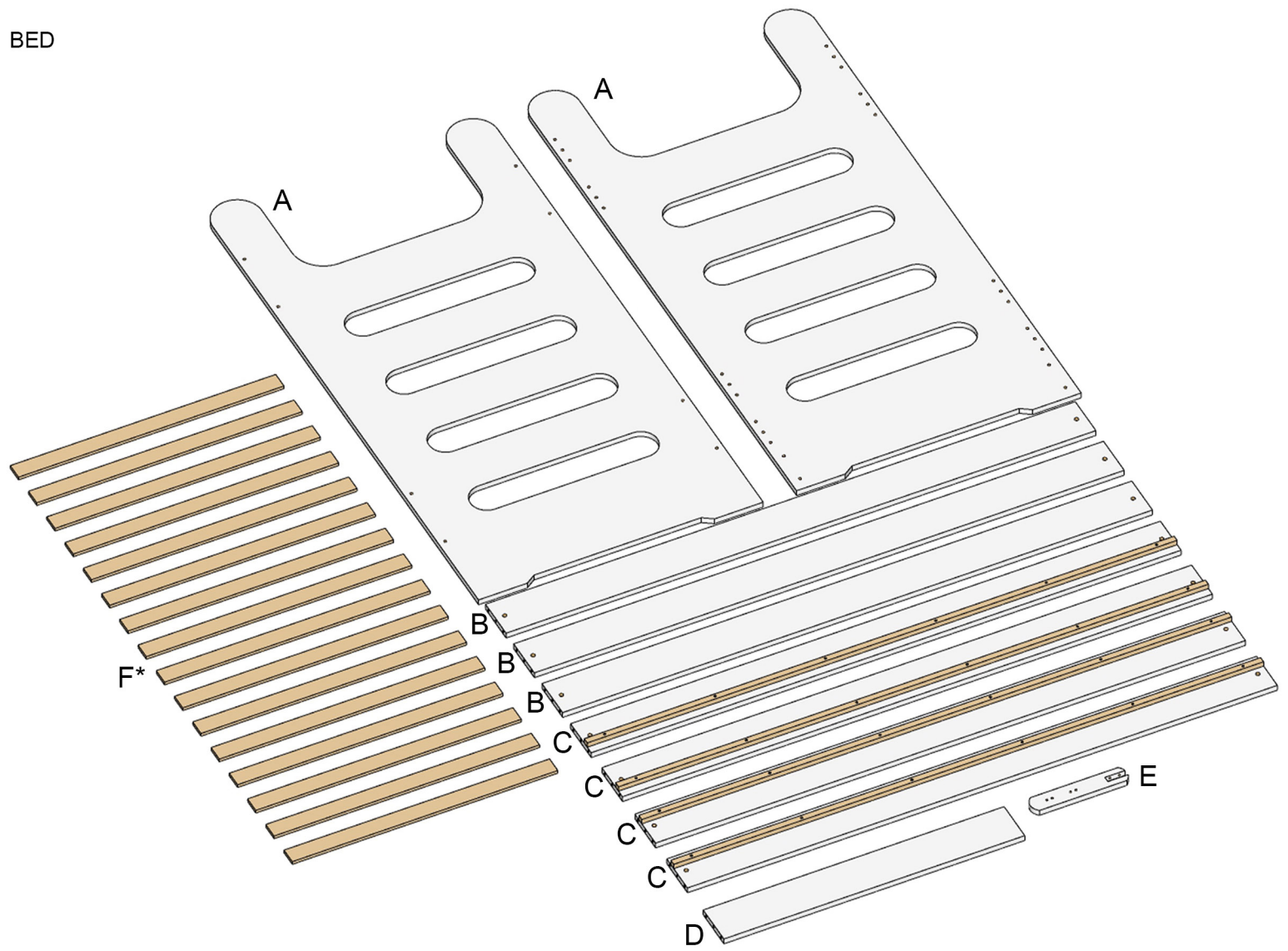
LIST OF FITTINGS:

									
Wrench 1 pcs.	Bolt M6x60 17 pcs.	Barrel nut 17 pcs.	Wooden dowels 38 pcs.	Screw (3,5cm) 58 pcs.*	Confirmat 4 pcs.	Cam lock bolt 6 pcs.	Cam lock 6 pcs.	Wheels 4 pcs.	Screw (3x1,6cm) (assembly of wheels in the drawer) 8 pcs.

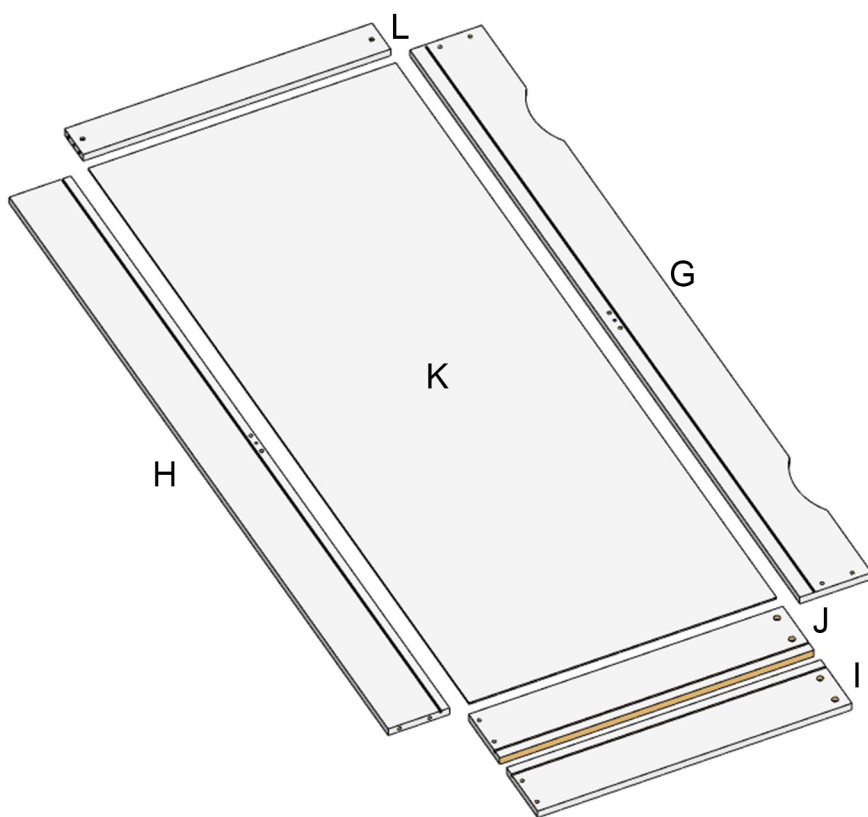
* number of screws and slats under mattress depending on the size of the bed

LIST OF ELEMENTS:

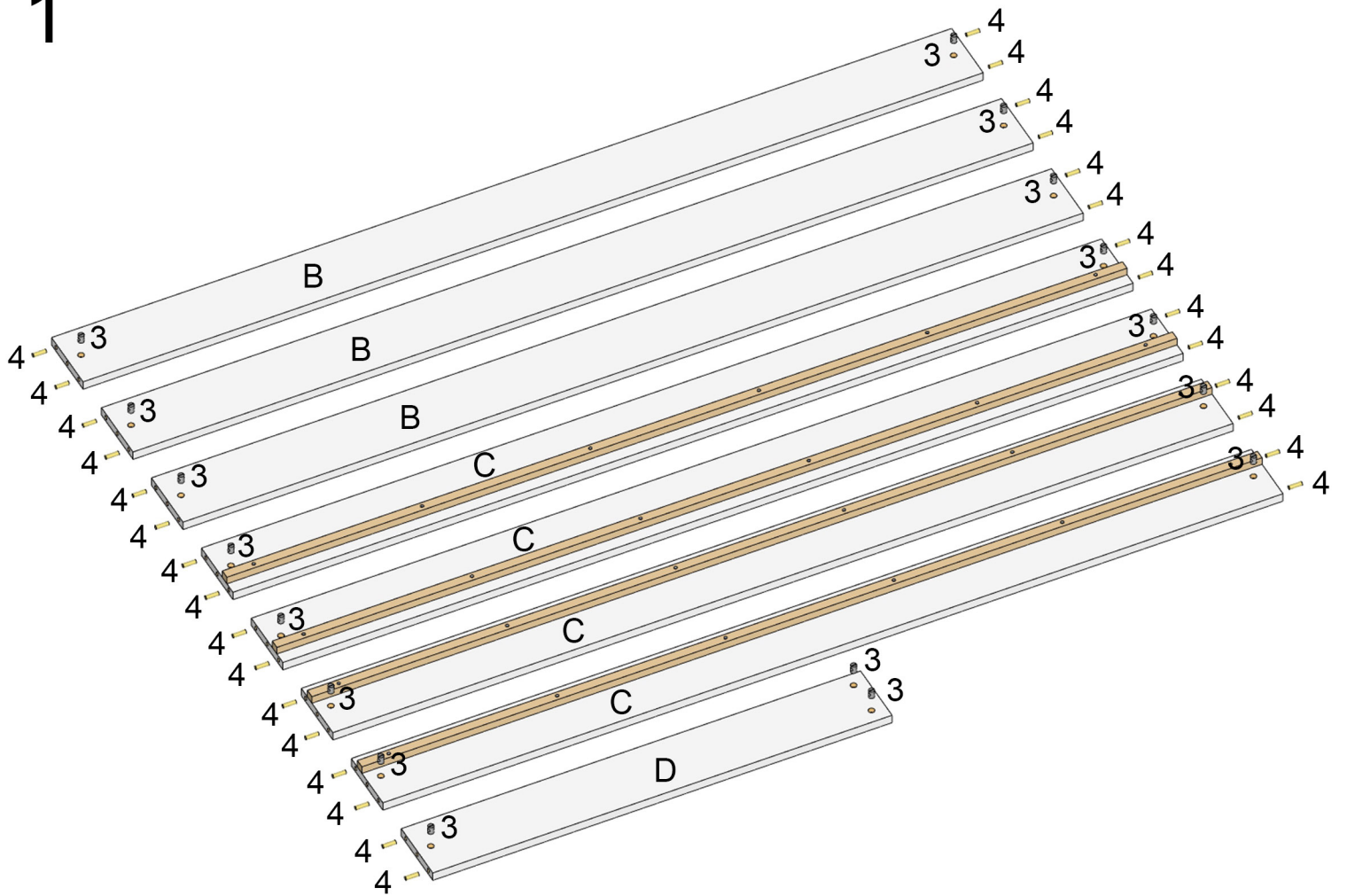
BED



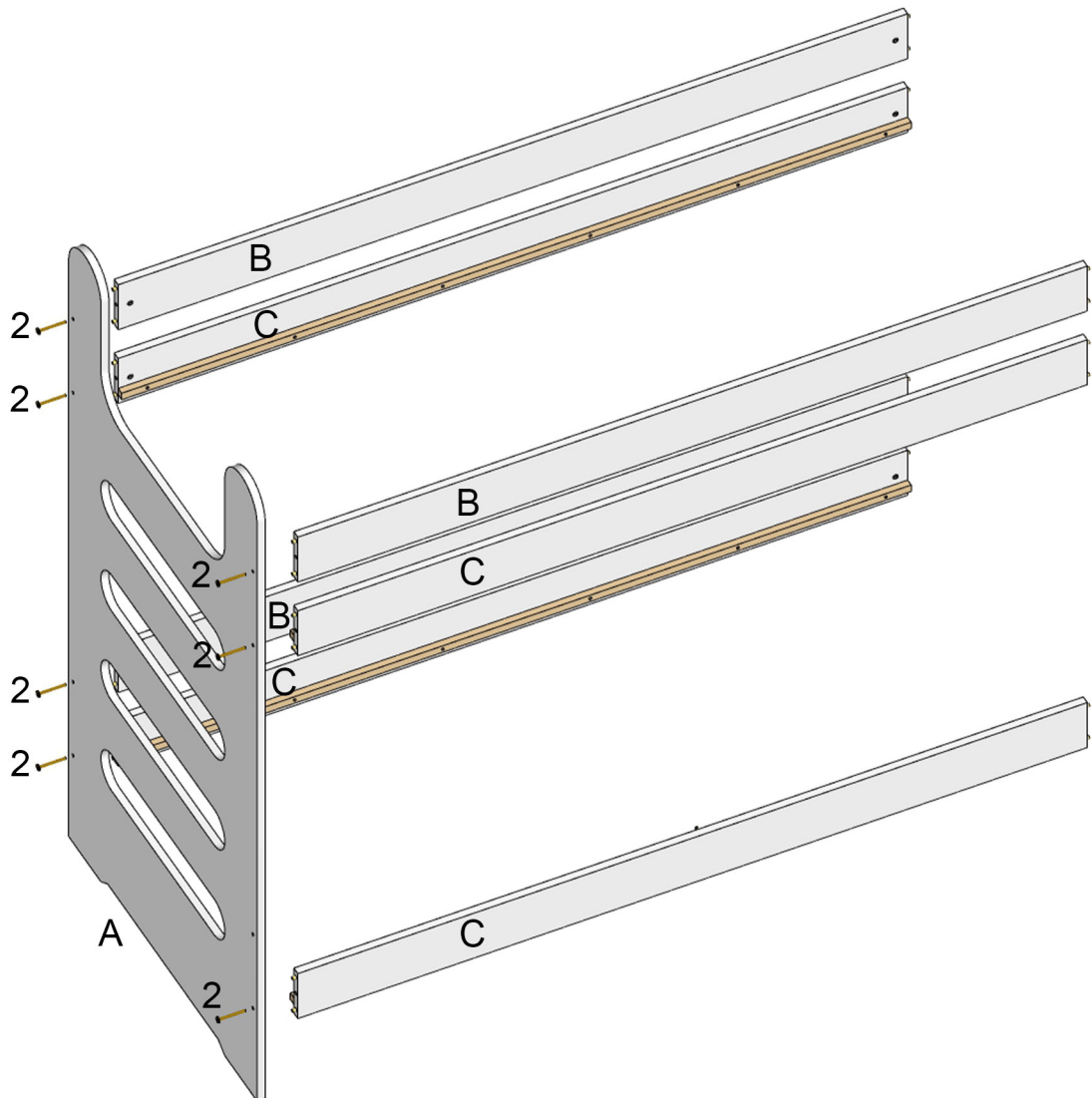
DRAWER



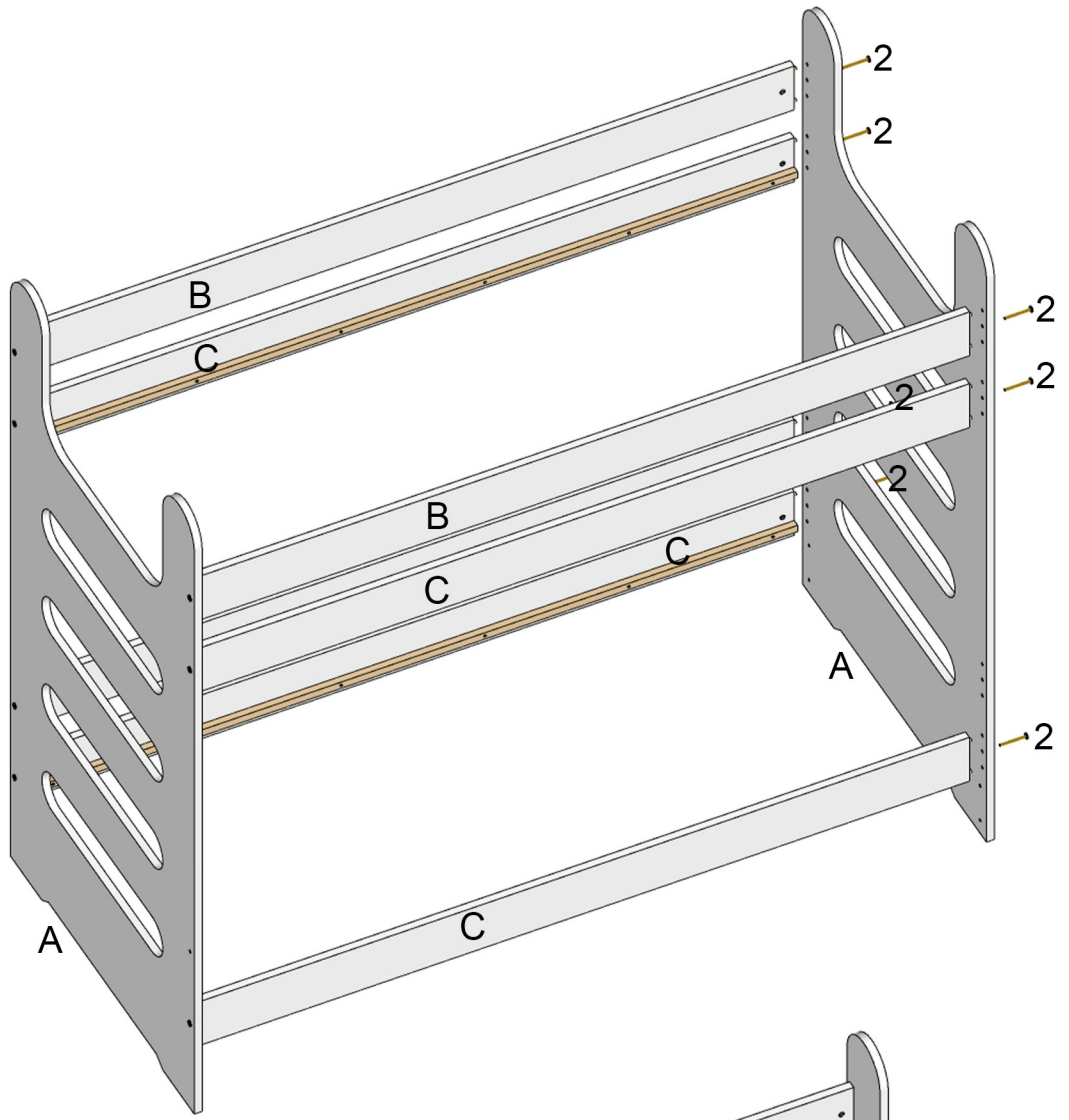
1



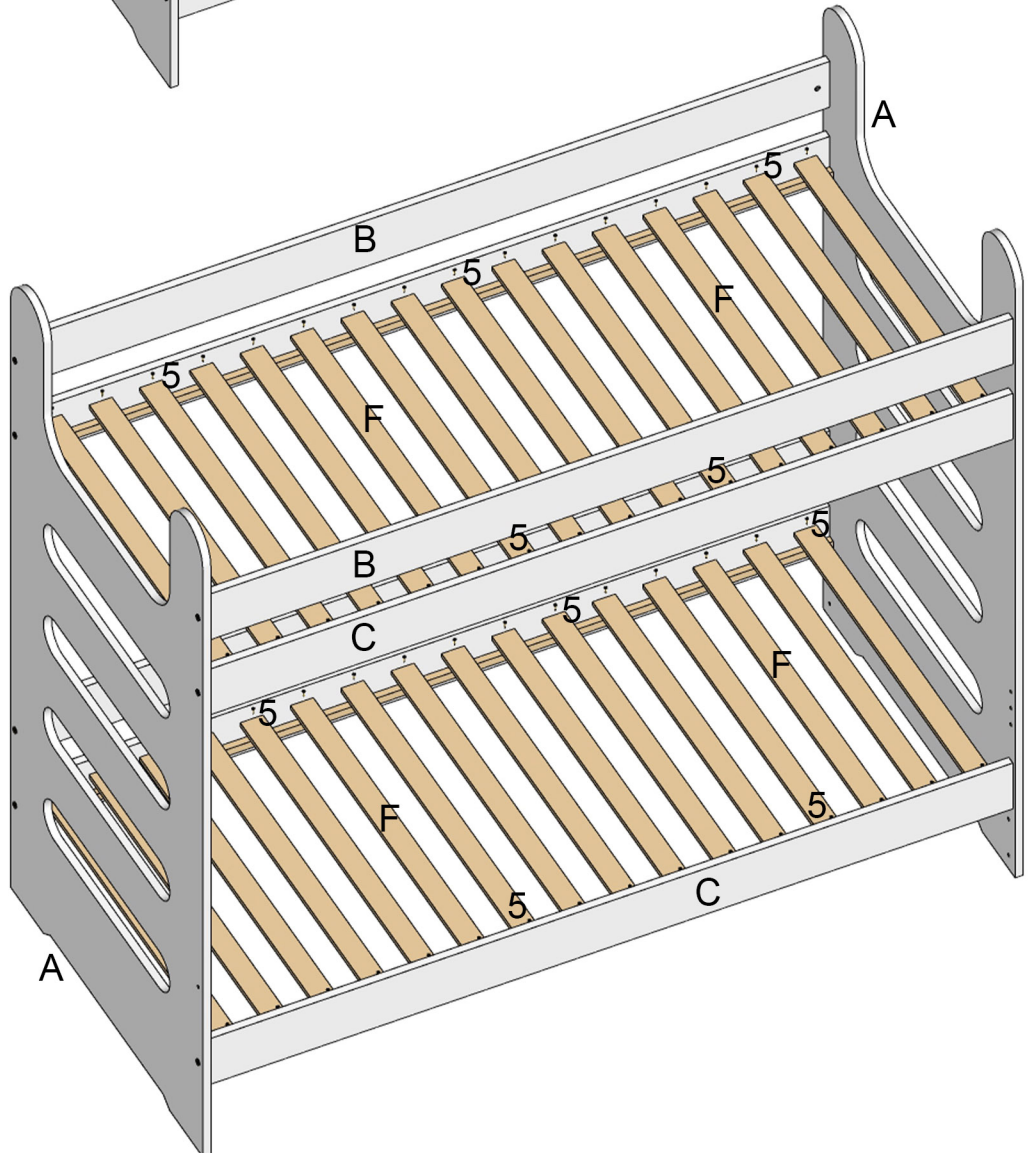
2



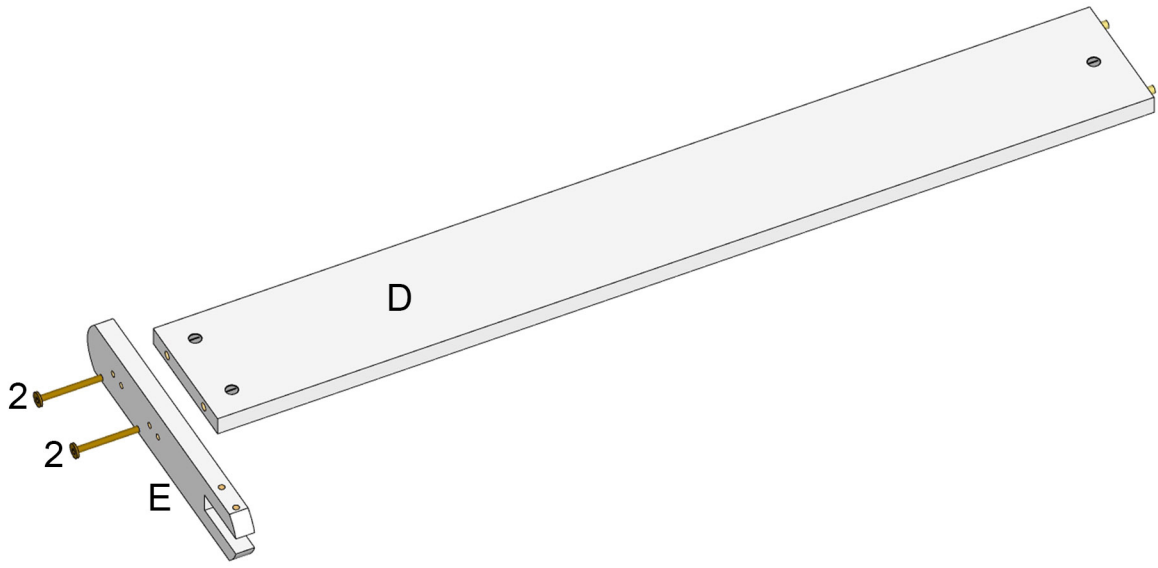
3



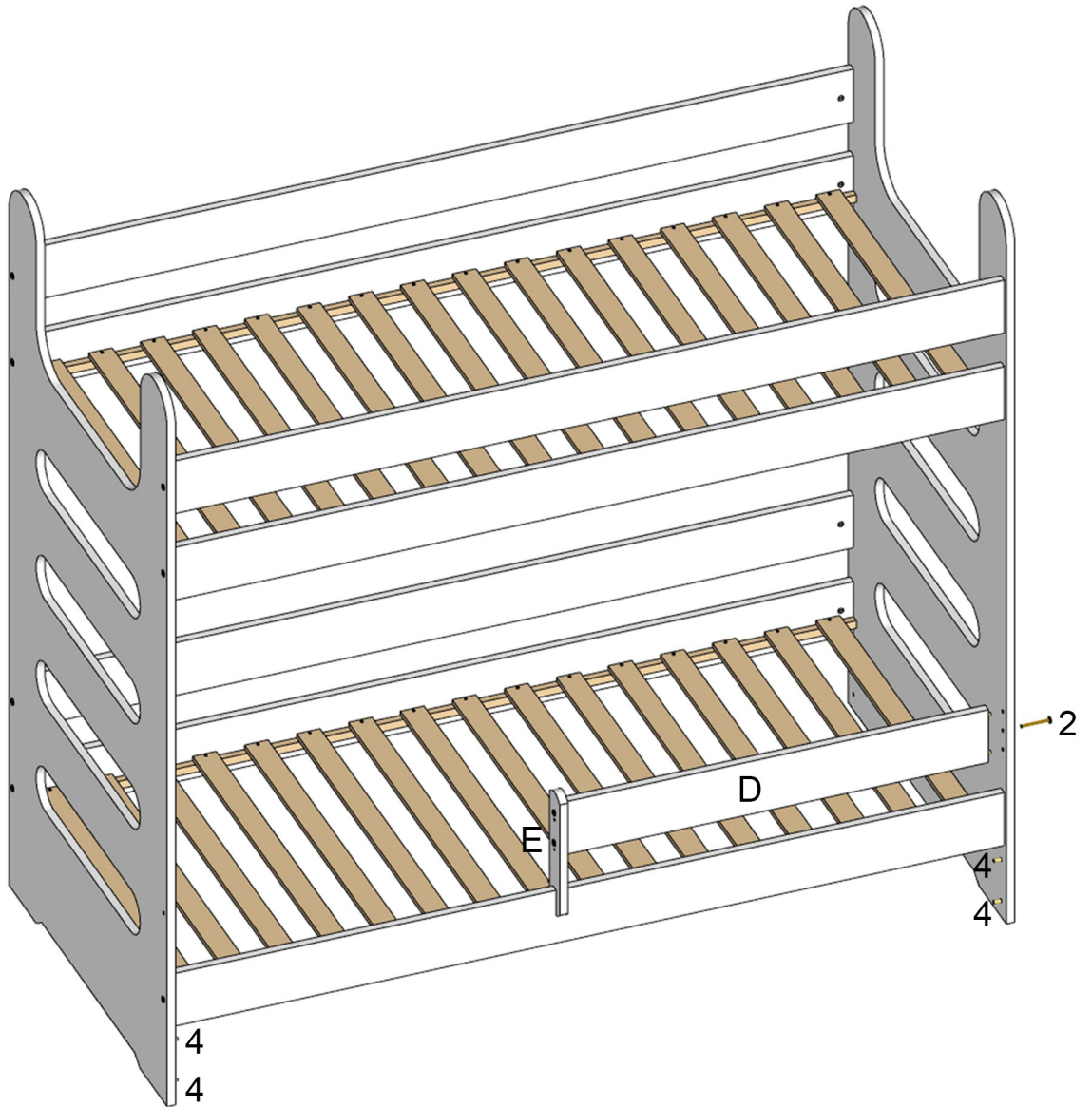
4



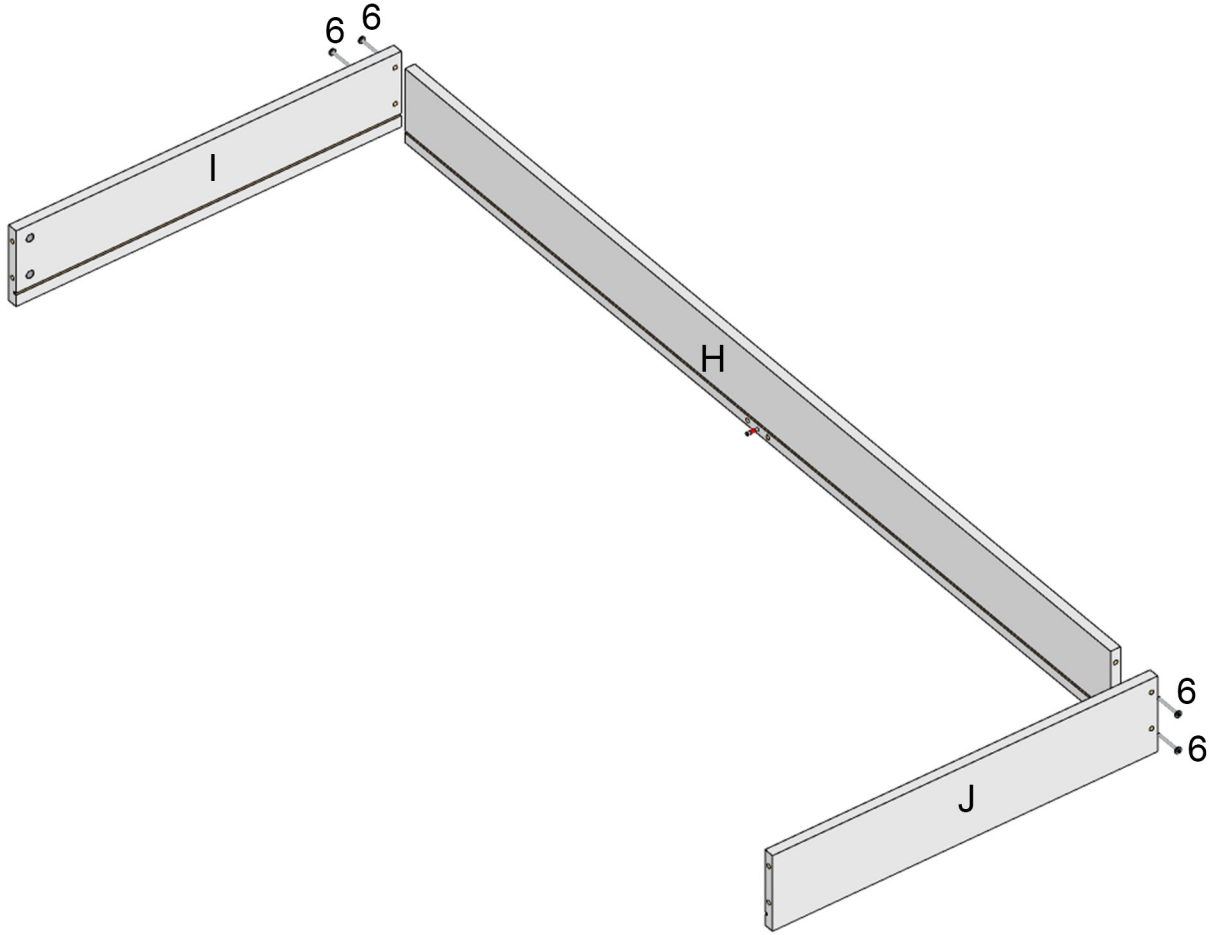
5



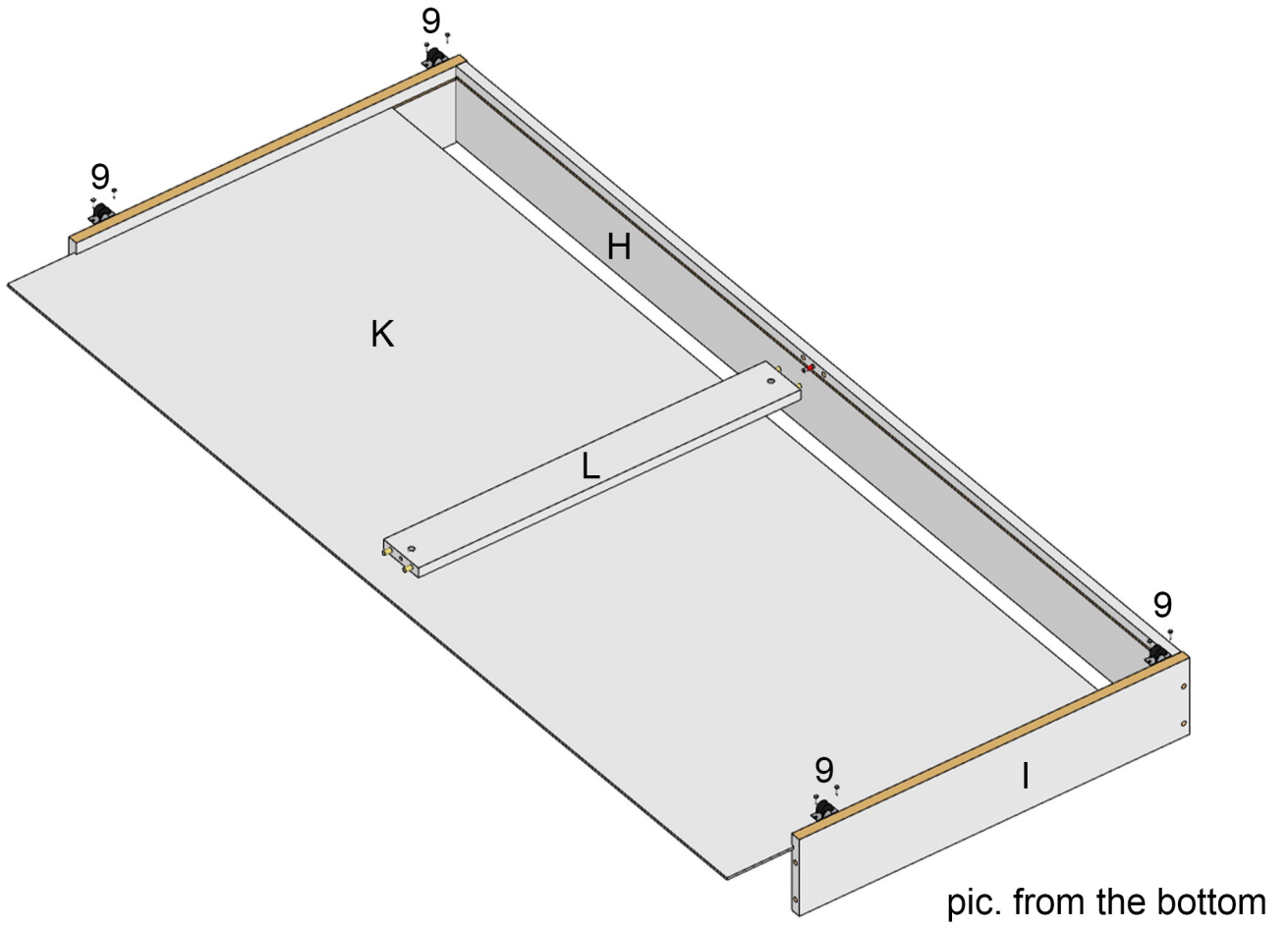
6



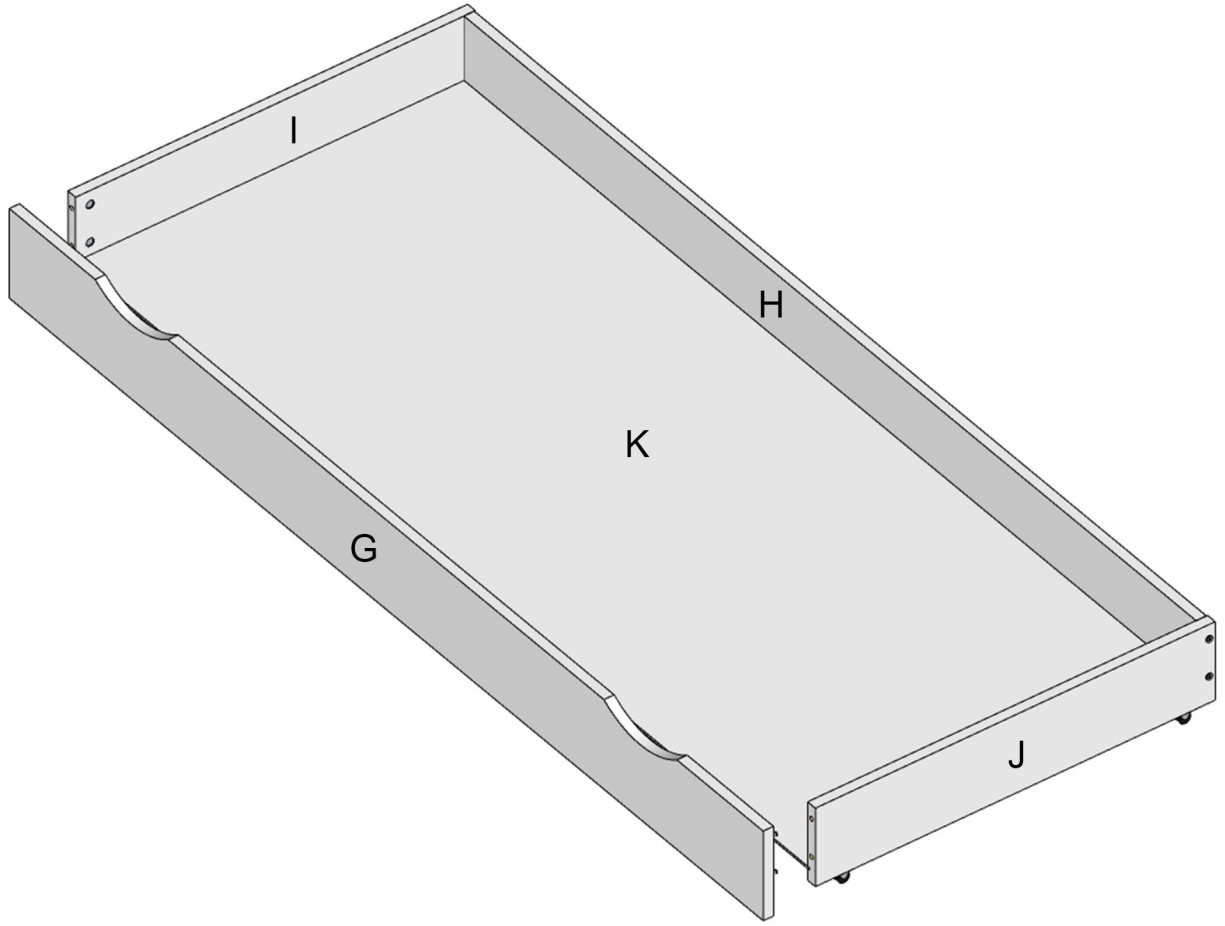
9



10



11



12

