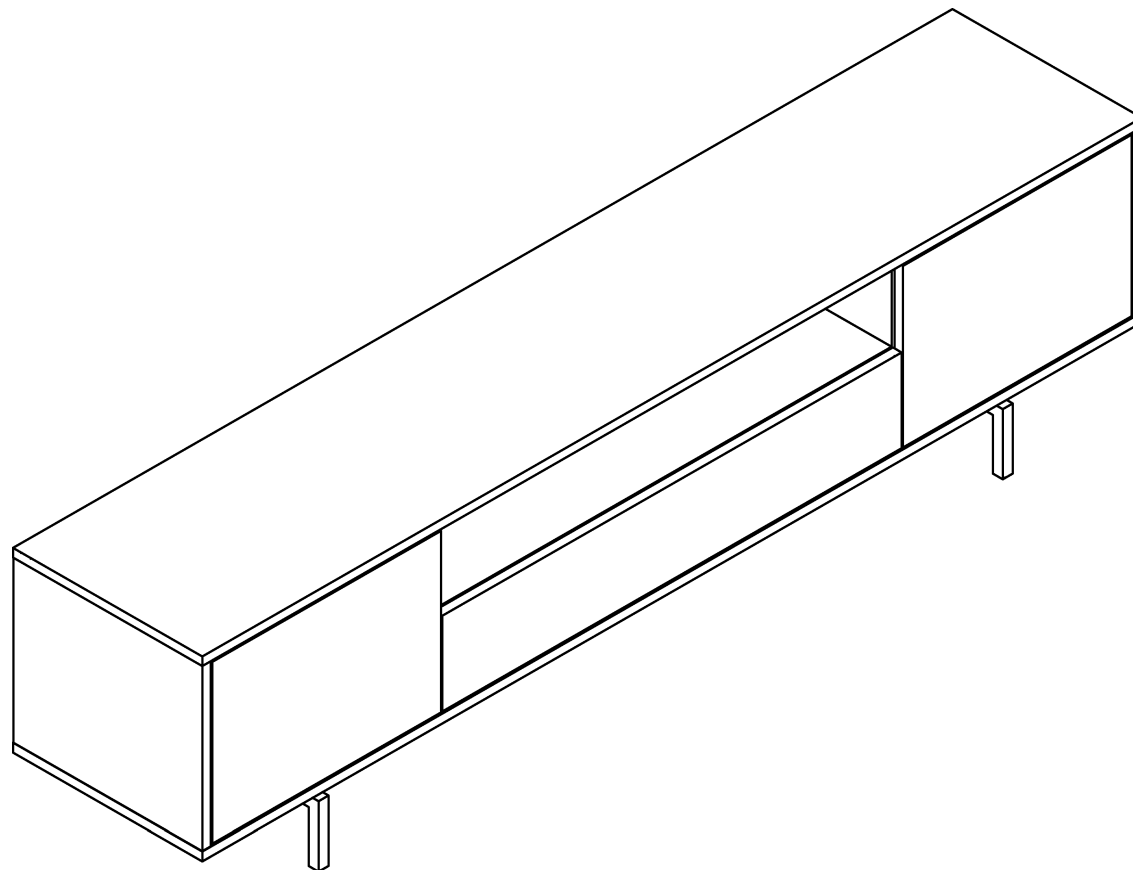


ASSEMBLY INSTRUCTIONS:



TV CONSOLE

Page 2 of 27

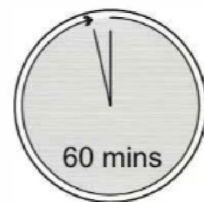
ASSEMBLY INSTRUCTIONS

Read these instructions carefully and keep for future reference. Refer to parts inventory for guidance, and ensure you have all pieces before starting.

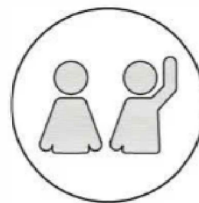
When assembling, place all parts on a soft, clean, and flat surface such as a carpet to prevent scratches.

Attention : Veuillez Lire Toutes Les Instructions Avant De Commencer L'assemblage De Ce Produit. Les Pièces Sont Lourdes. Pour Éviter Toute Blessure Et Pour Vous Assurer Que Le Produit N'est Pas Endommagé Pendant L'assemblage, Nous Vous Recommandons De Faire Appel À Une Ou Plusieurs Autres Personnes.

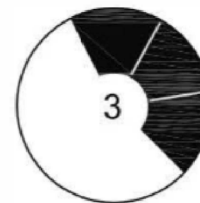
Cuidado: Favor De Leer Todas Las Instrucciones Antes De Ensamblar Su Producto. Estas Piezas Son Pesadas. Para Prevenir Heridas Personales Y Asegurar Que Su Producto No Sea Dañado Mientras Es Ensamblado, Se Recomienda La Asistencia De Una O Más Personas.



TIME



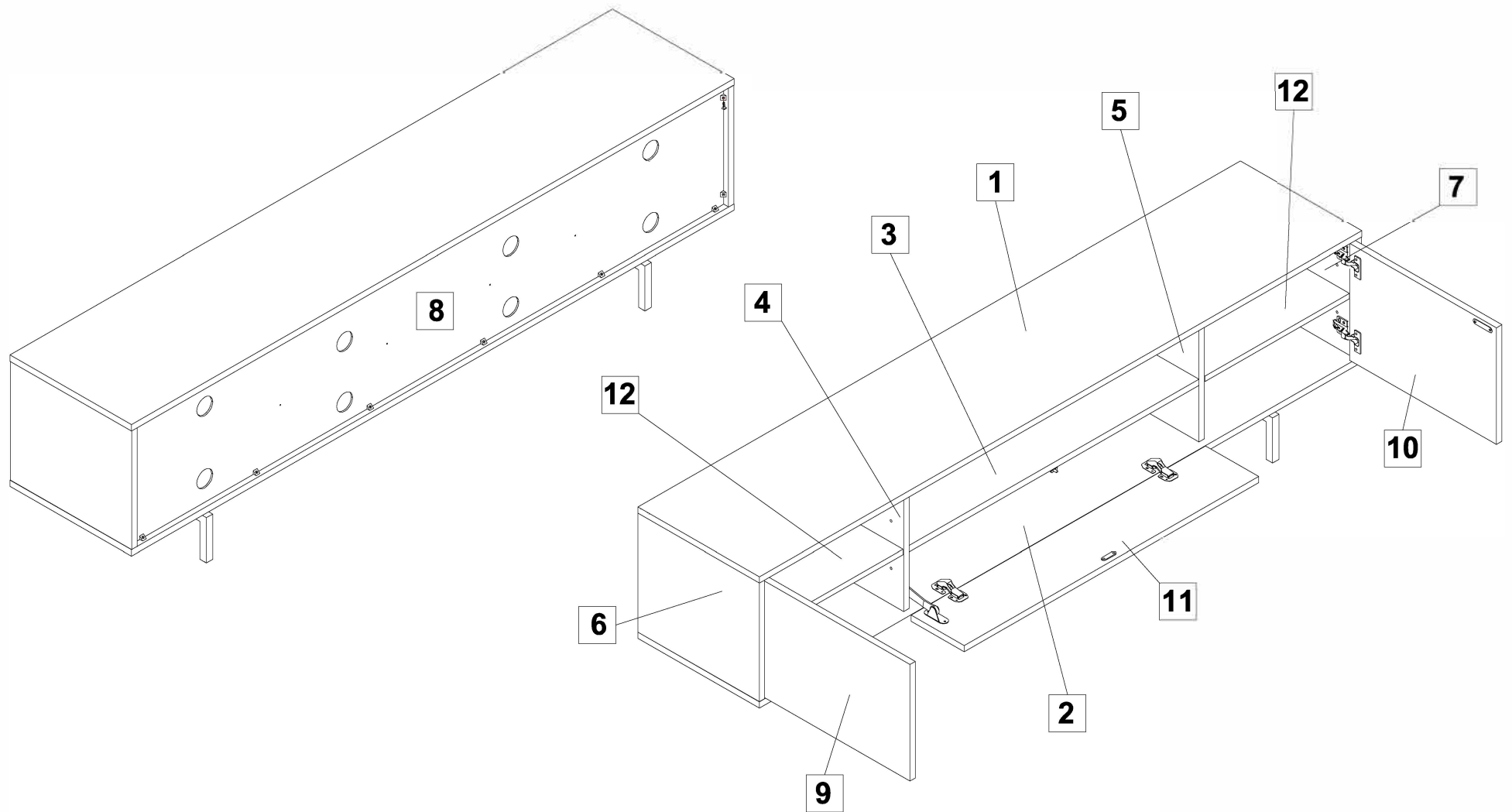
OF PEOPLE



DIFFICULTY

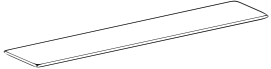






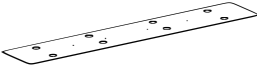




Important: Use hand tools for assembly. Power tools can lead to over-tightening and damage.

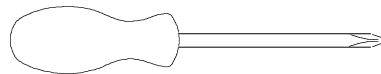
ASSEMBLY INSTRUCTIONS



TV CONSOLE

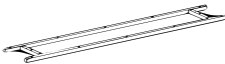
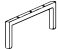







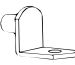




Parts List

CODE	DESCRIPTION	QTY
1	Top Panel 	1 pc
2	Bottom Panel 	1 pc
3	Fixed Shelf 	1 pc
4	Left Inside Panel 	1 pc
5	Right Inside Panel 	1 pc
6	Left Panel 	1 pc
7	Right Panel 	1 pc
8	Back Panel 	1 pc
9	Left Side Door 	1 pc
10	Right Side Door 	1 pc
11	Center Door 	1 pc
12	Adjustable Shelf 	2 pcs



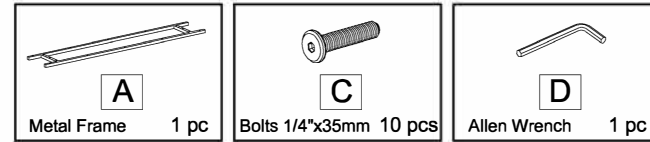
Assembly Tools Required (Not Included)

Hardware List

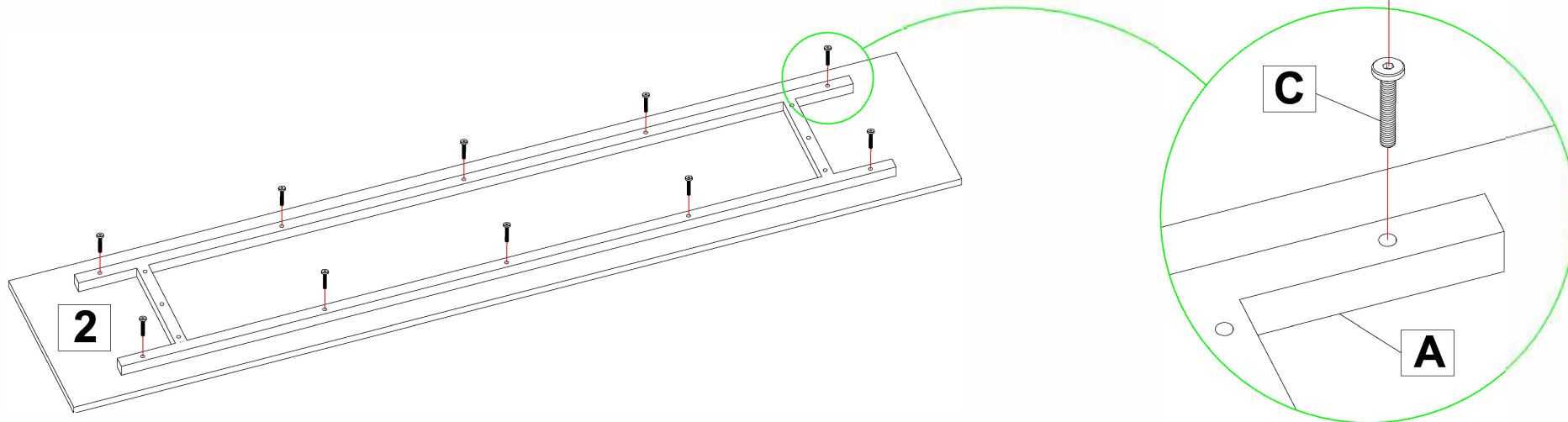
CODE	DESCRIPTION	QTY
A	Metal Frame 	1 pc
B	Metal Legs 	2 pcs
C	Hex-Head bolts 1/4"x35mm 	10 pcs
D	Allen Wrench 	1 pc
E	Hex-Head bolts 1/4"x60mm 	6 pcs
F	Magnetic catcher 	3 pcs
G	Wood Screws M4x15mm 	56 pcs
H	Wood Screws M3.5x20mm 	16 pcs
I	Plastic Wedges 	12 pcs
J	Shelf Pin 9mm 	8 pcs
K	Middle Door Hinge 	2 pcs
L	Side Door Hinge 	4 pcs
M	Support Arm 	1 pc
N	Anti-Tipping Kit 	2 pcs

TV CONSOLE

1

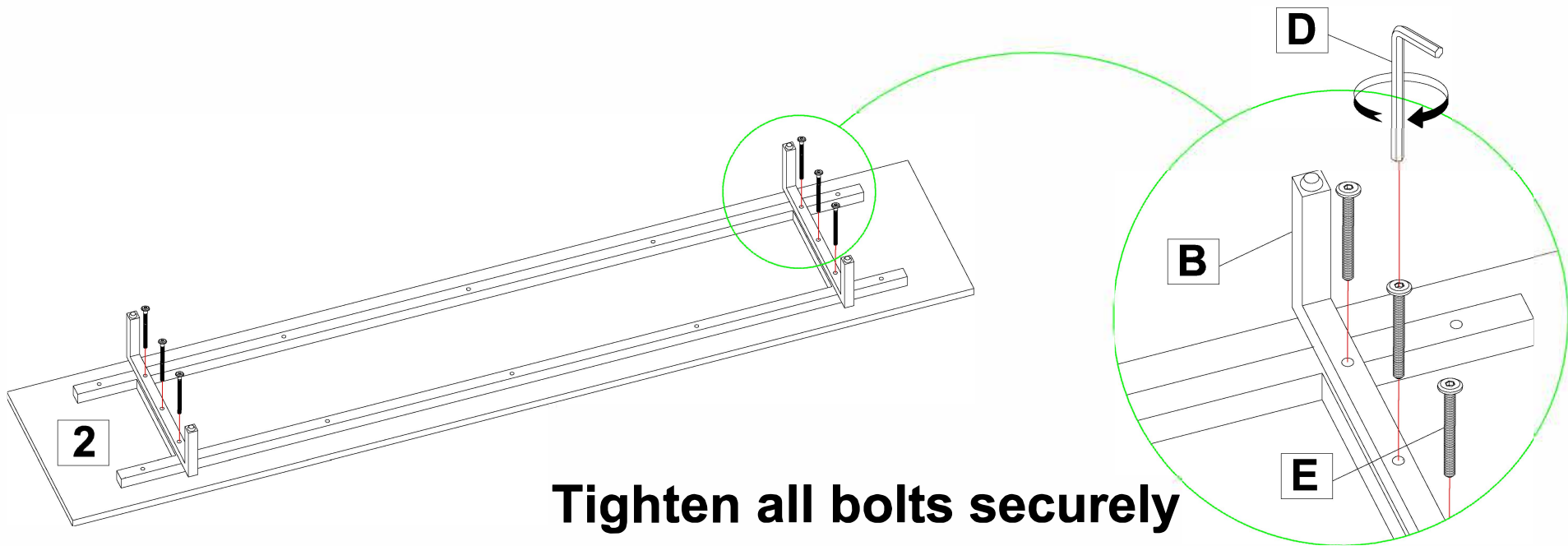
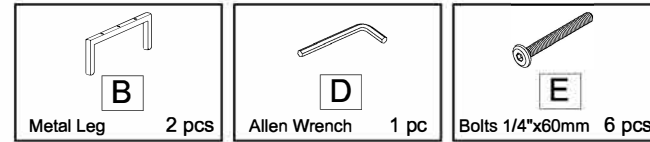


Please do not tighten the bolts until all the bolts are lined with holes



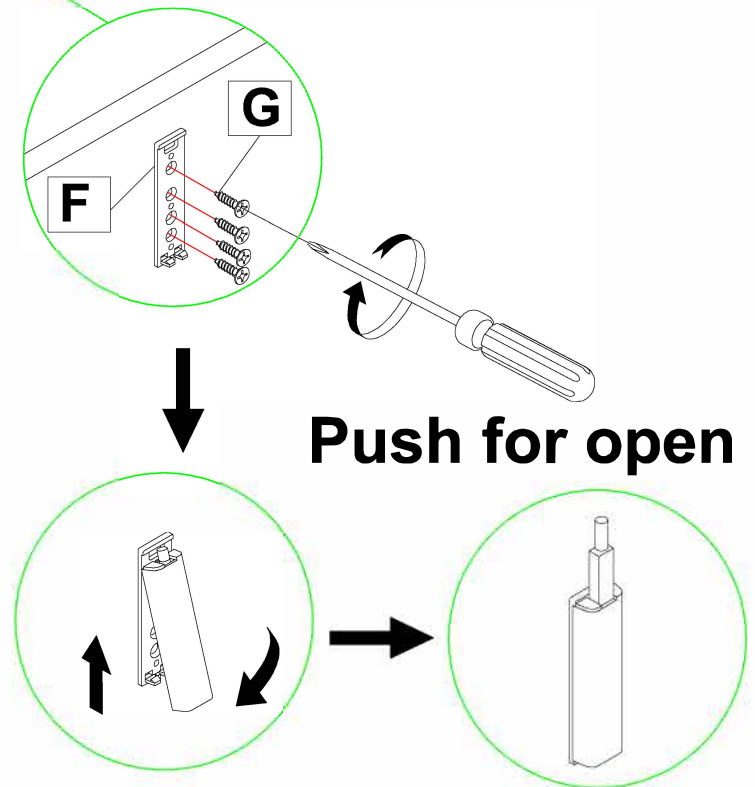
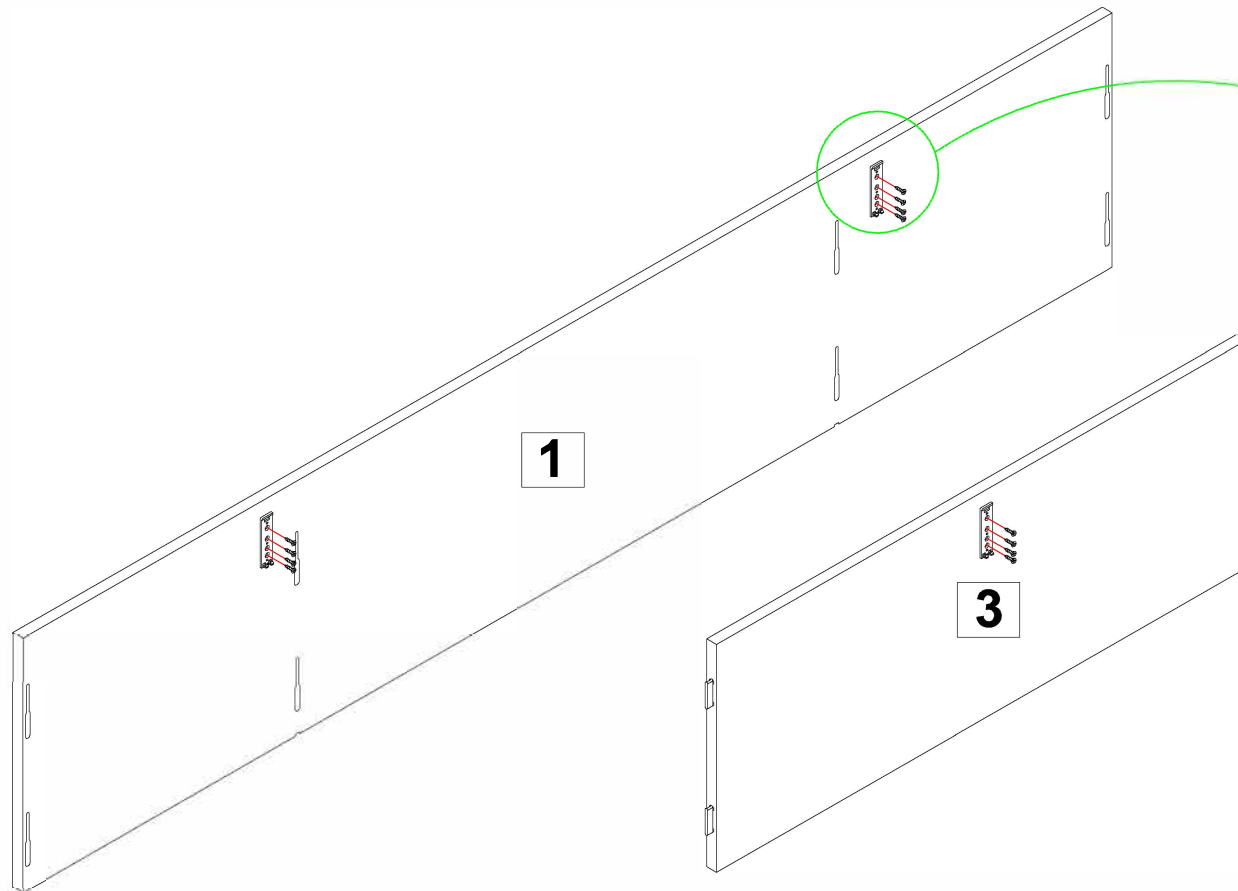
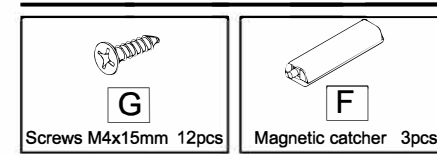
TV CONSOLE

2



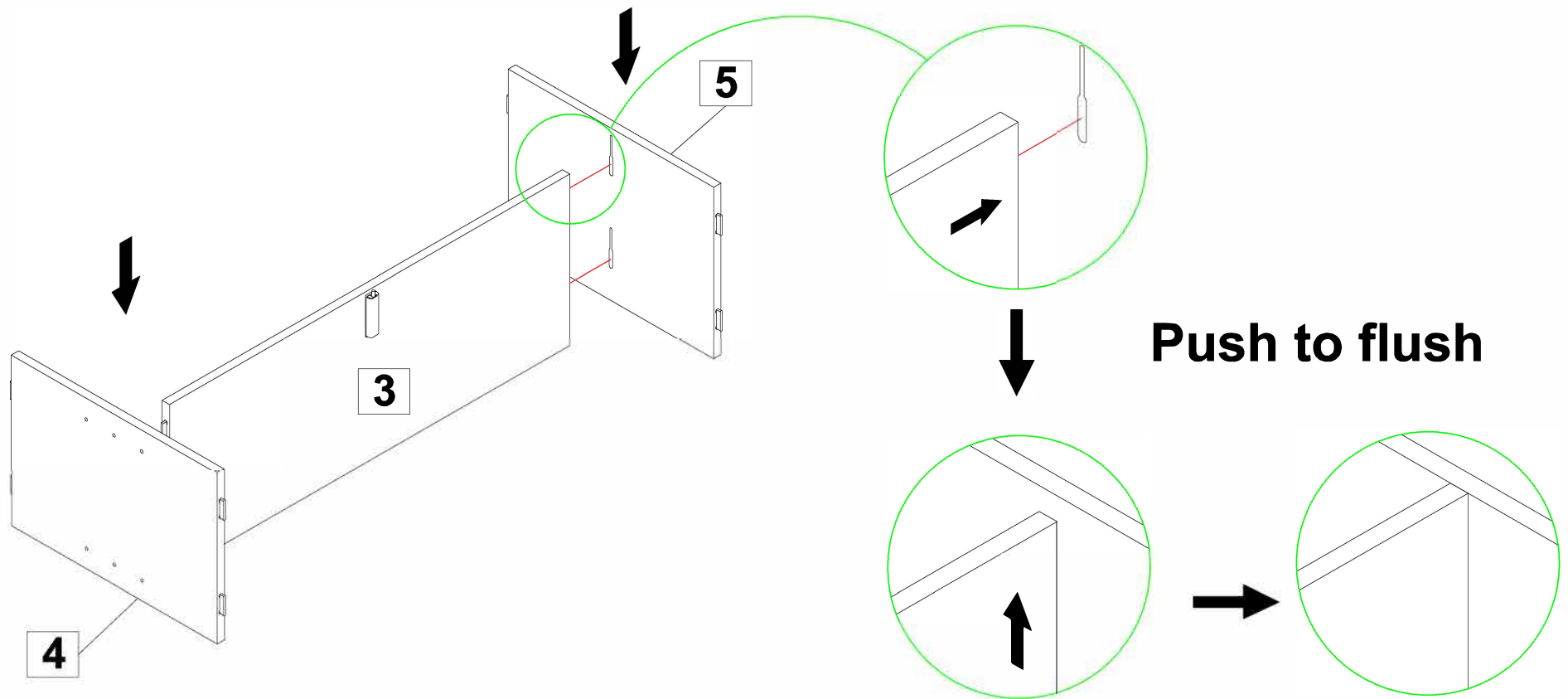
TV CONSOLE

3



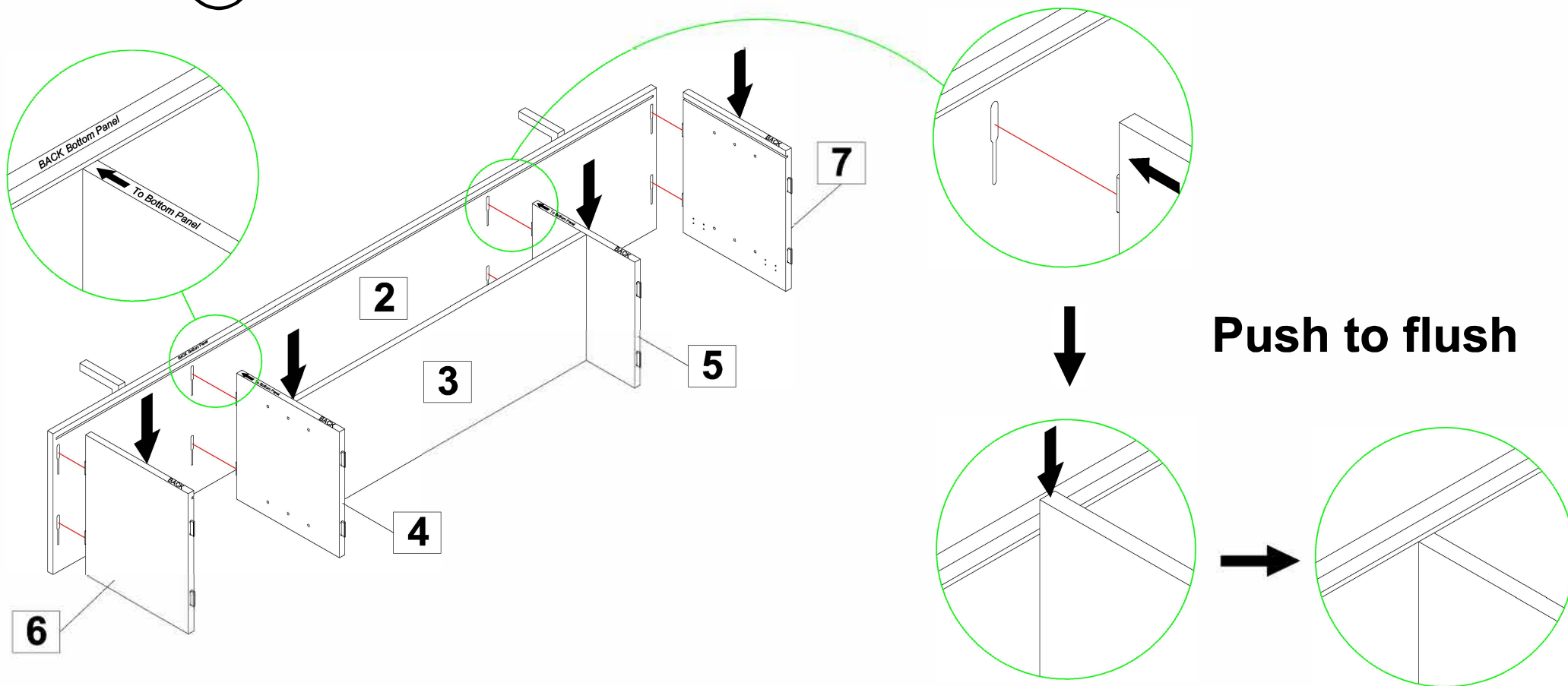
TV CONSOLE

④



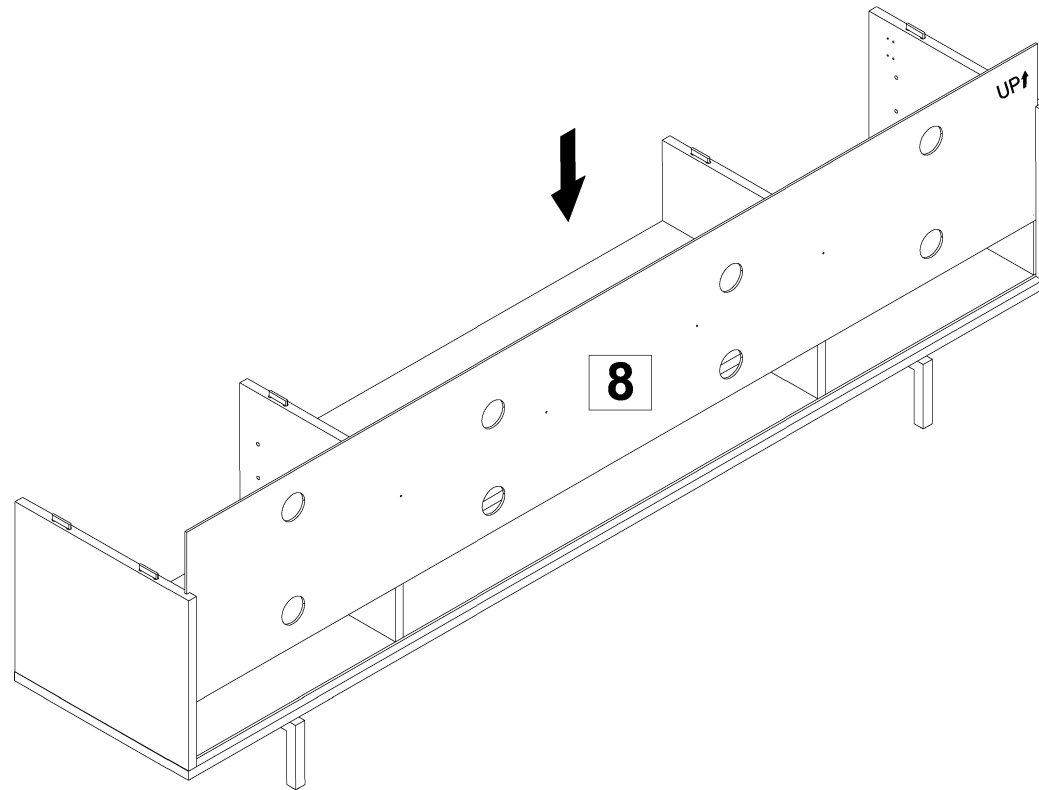
TV CONSOLE

5 —————



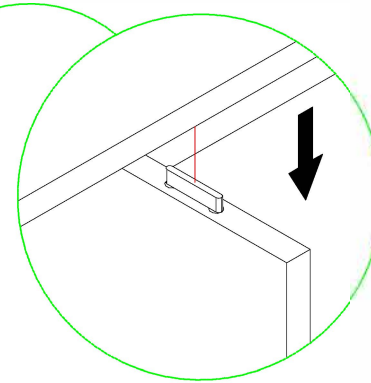
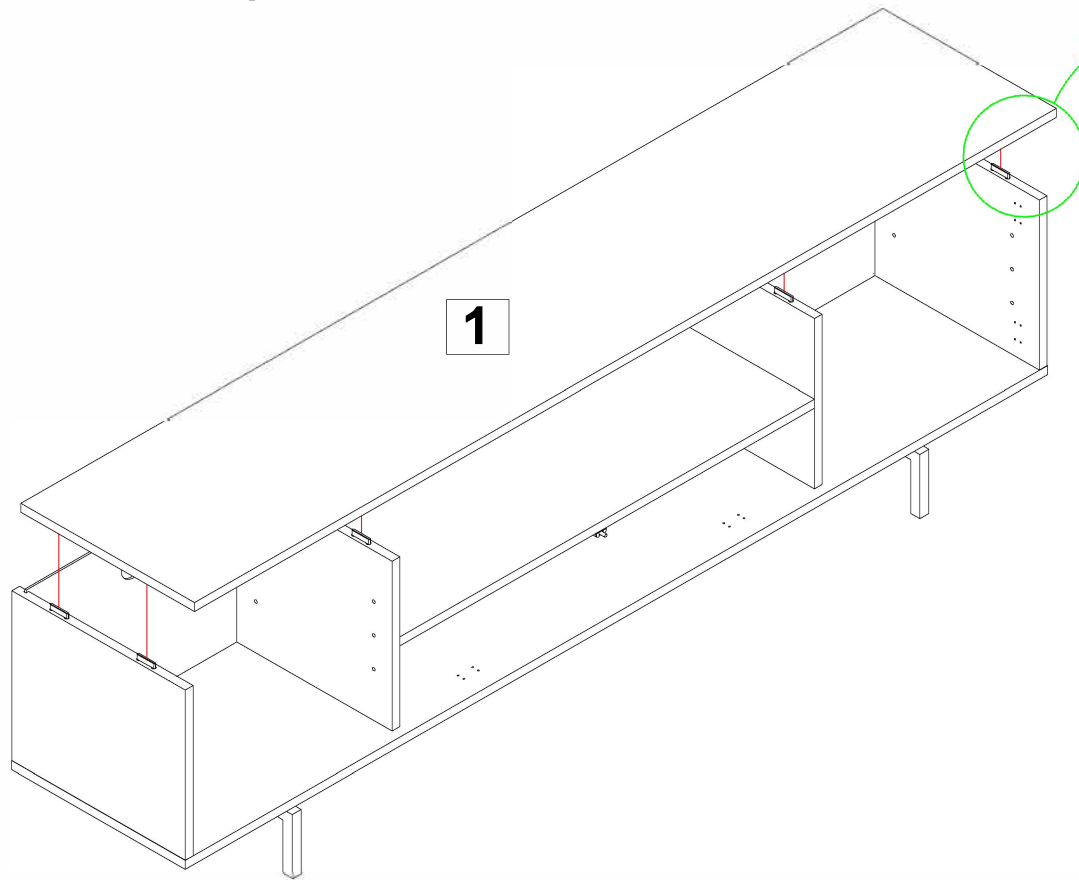
TV CONSOLE

6 —————

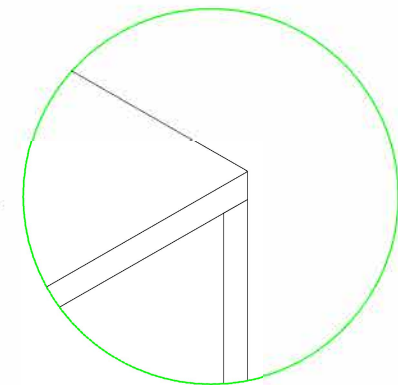
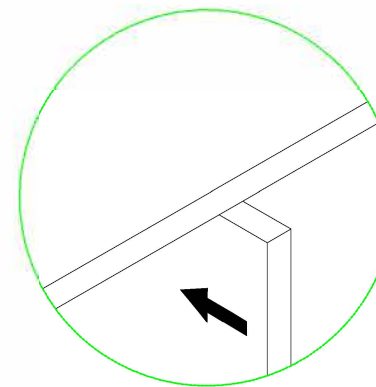


TV CONSOLE

7

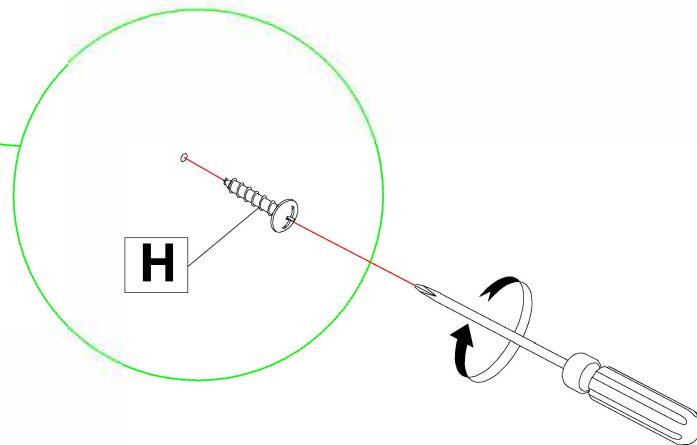
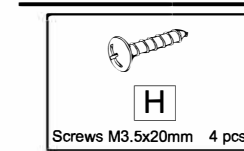
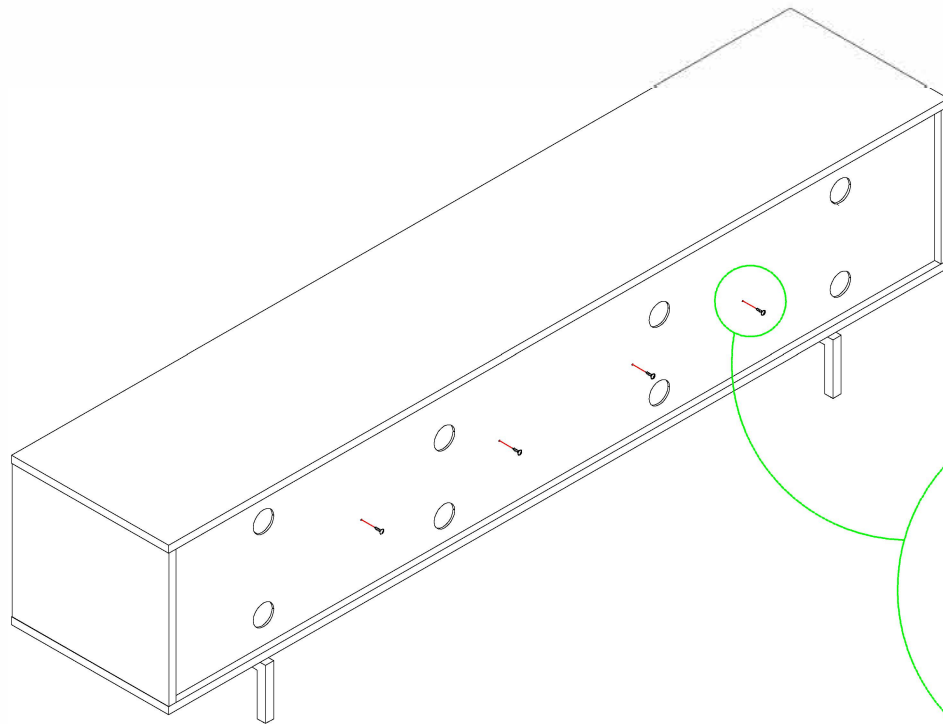


Push to flush



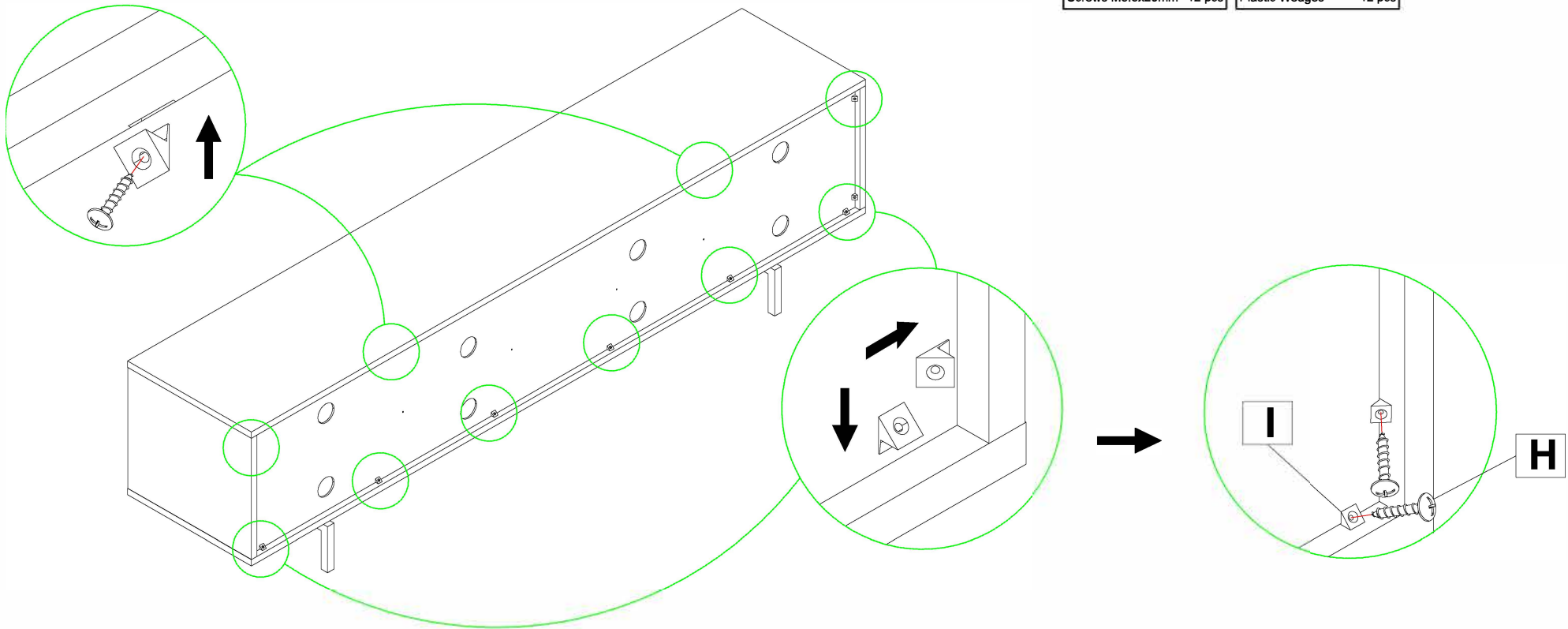
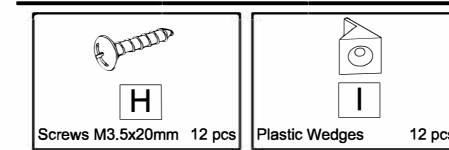
TV CONSOLE

8

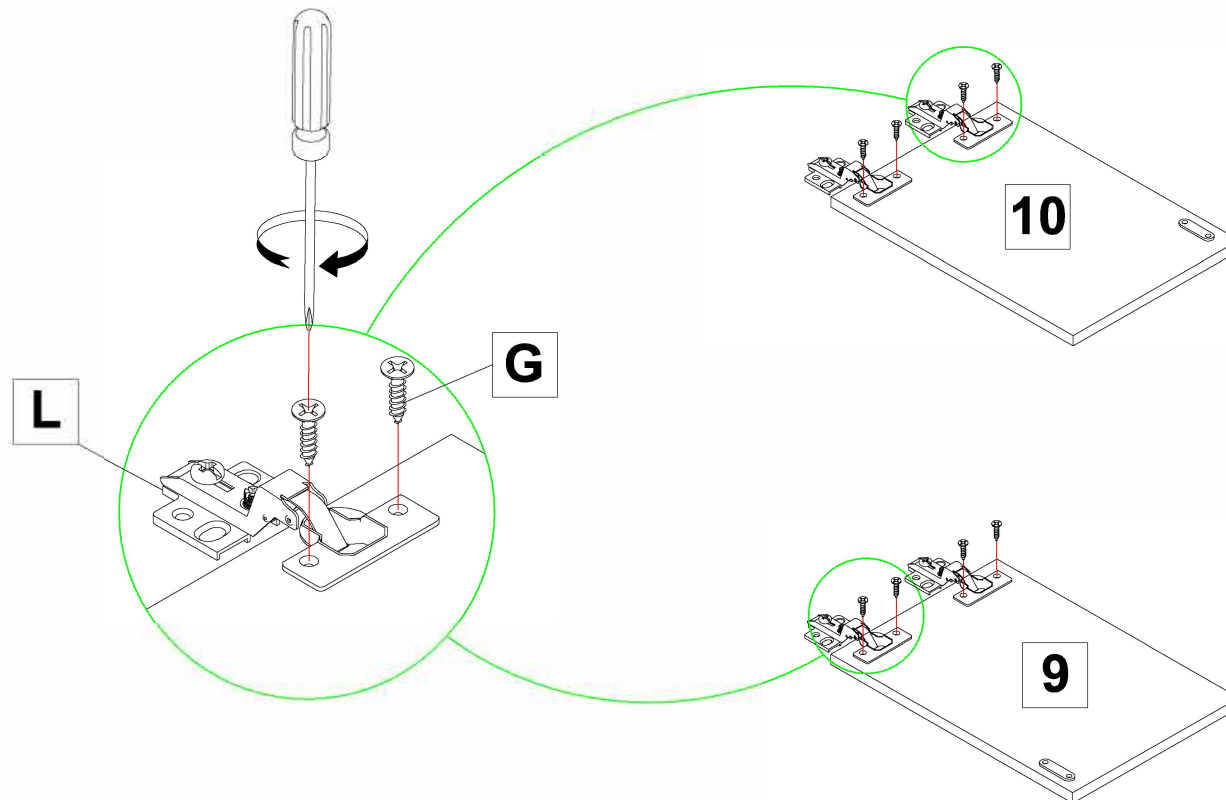
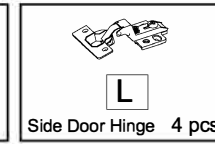
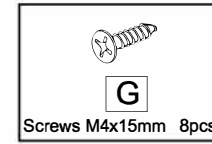


TV CONSOLE

9



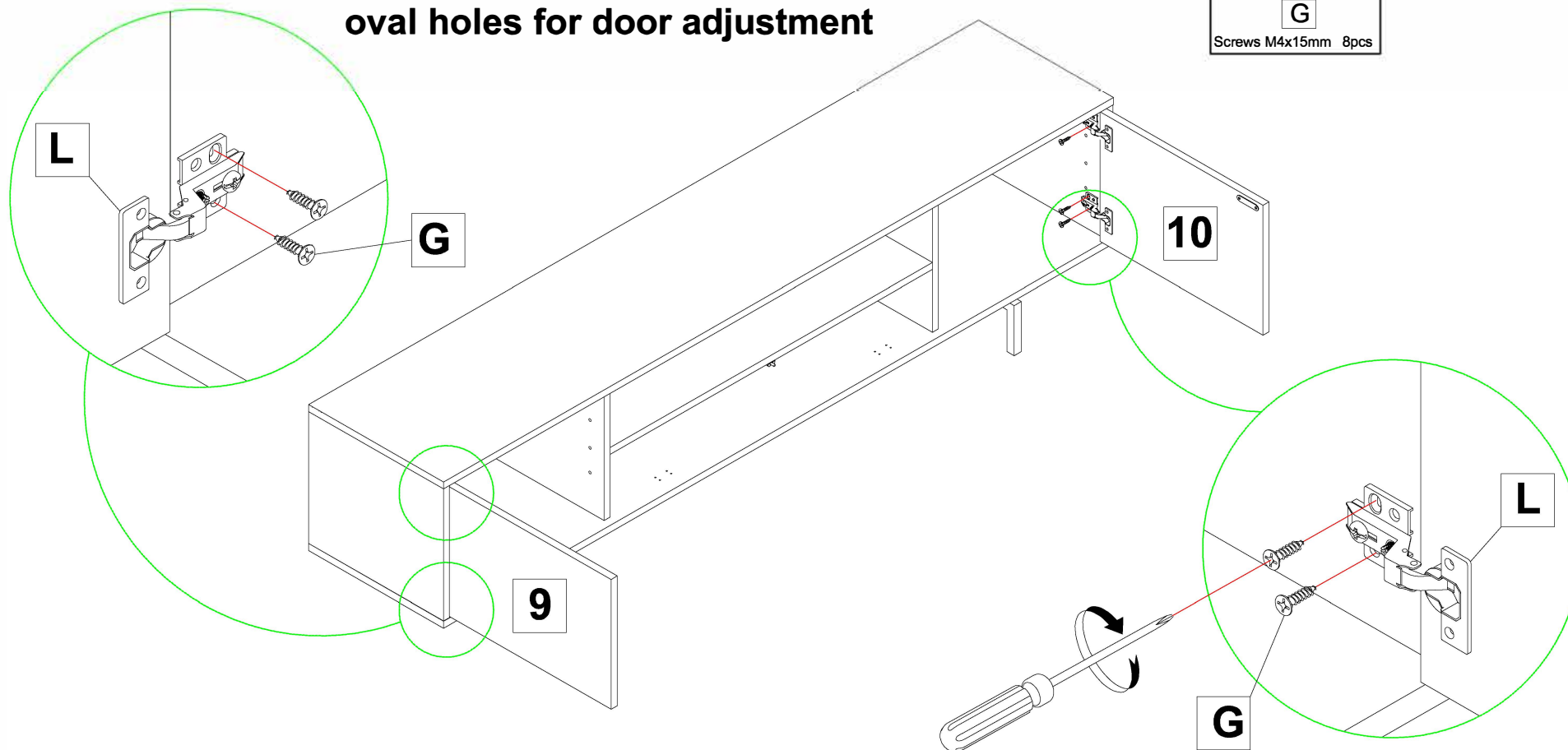
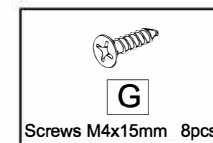
10



TV CONSOLE

11

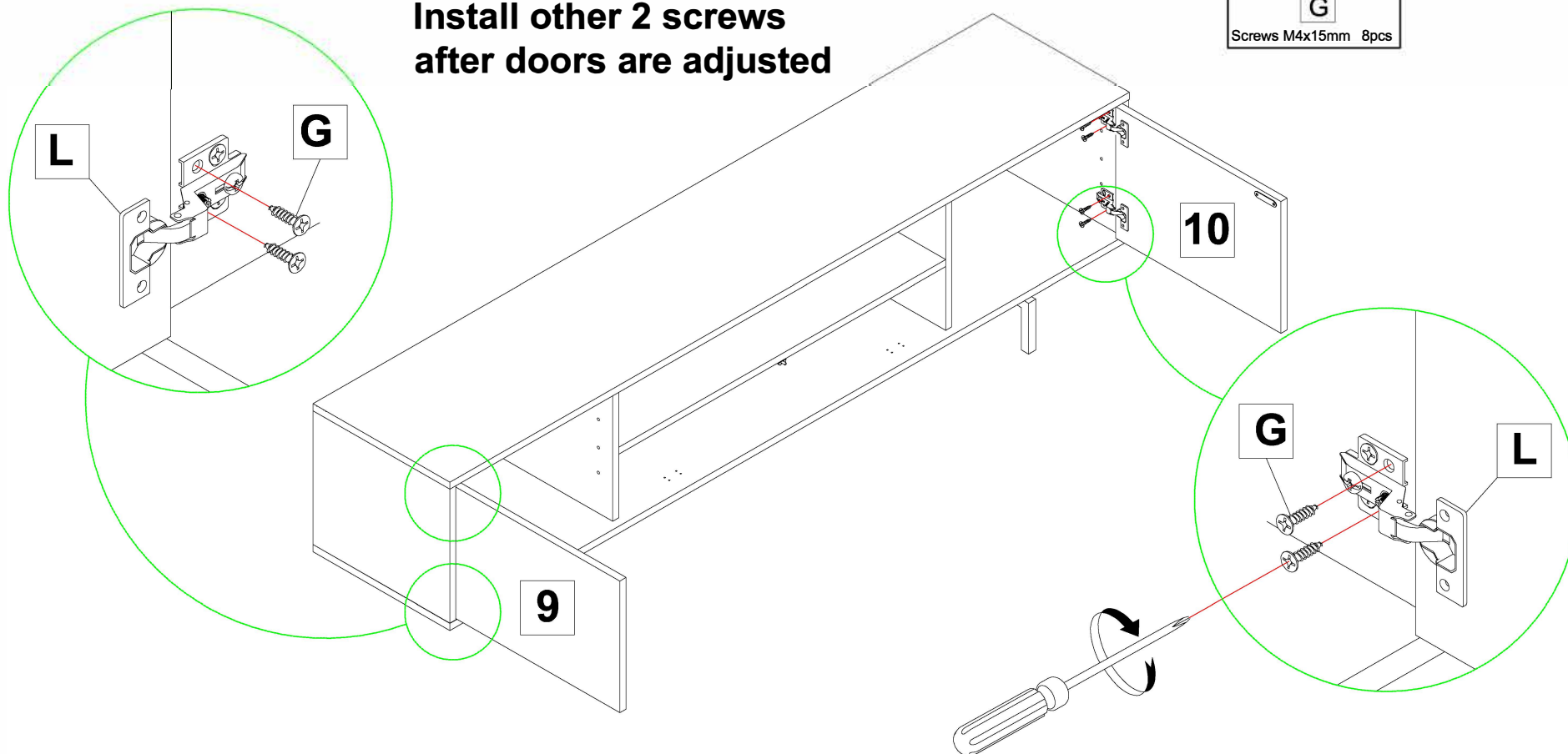
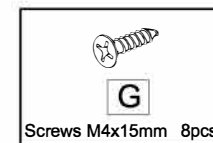
First install hinges with 2 screws in oval holes for door adjustment



TV CONSOLE

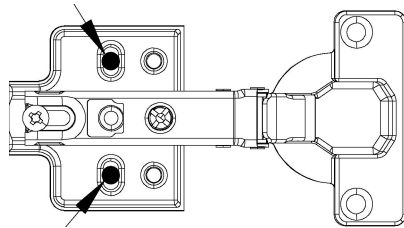
12

**Install other 2 screws
after doors are adjusted**

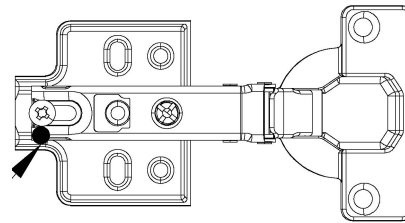


13

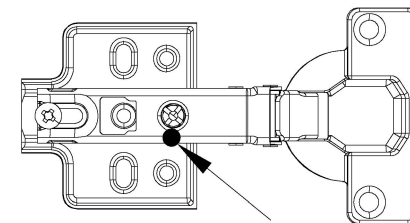
Our high Quality Euro hinges are 3-way adjustable:



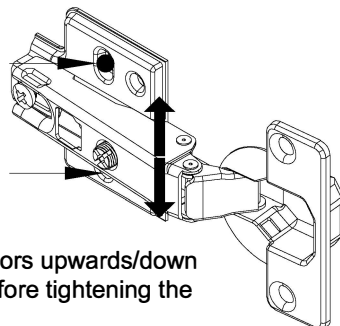
Up / Down



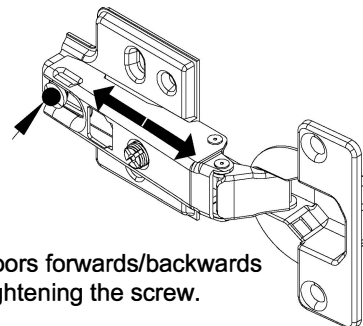
In / Out



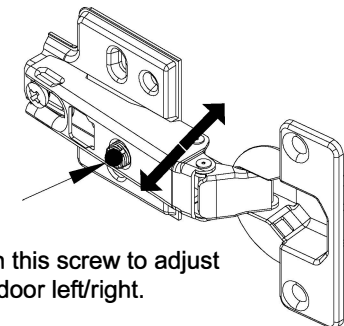
Left / Right



Adjust doors upwards/downwards before tightening the screw .



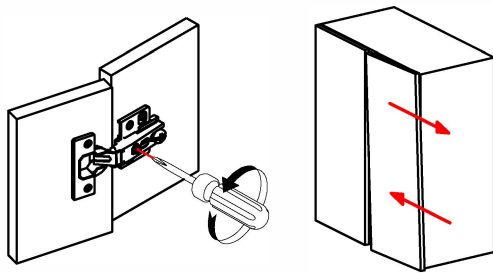
Adjust doors forwards/backwards before tightening the screw.



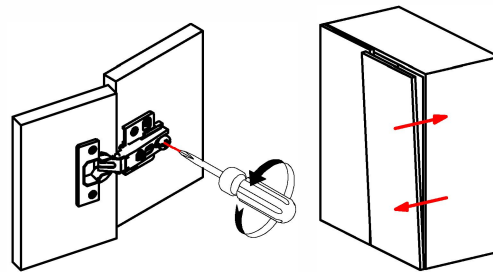
Turn this screw to adjust the door left/right.

14 —

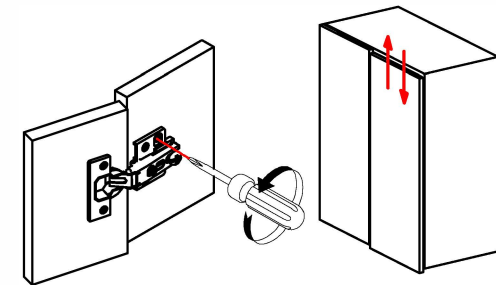
Our high Quality Euro hinges are 3-way adjustable:



Lateral Adjustment



Horizontal Adjustment

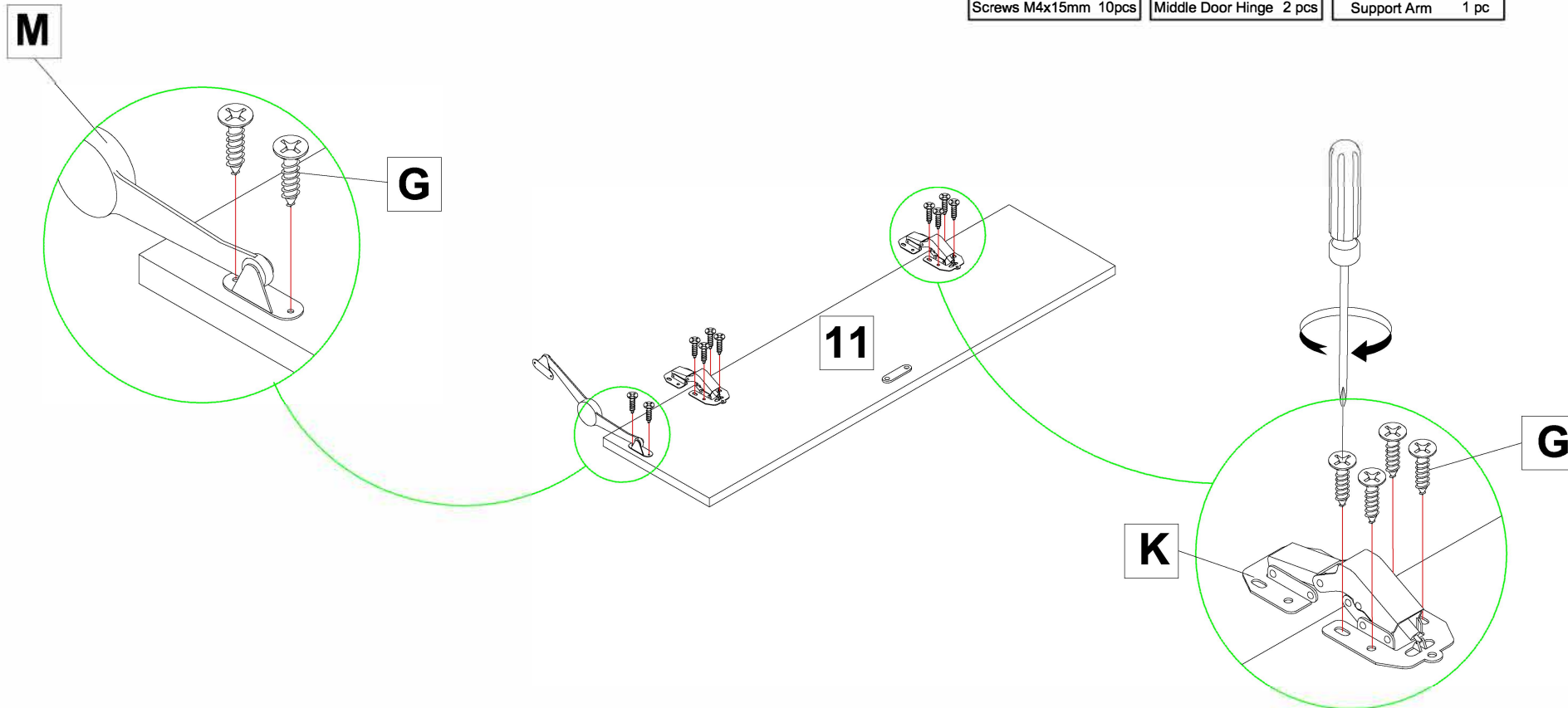


Vertical Adjustment

TV CONSOLE

15

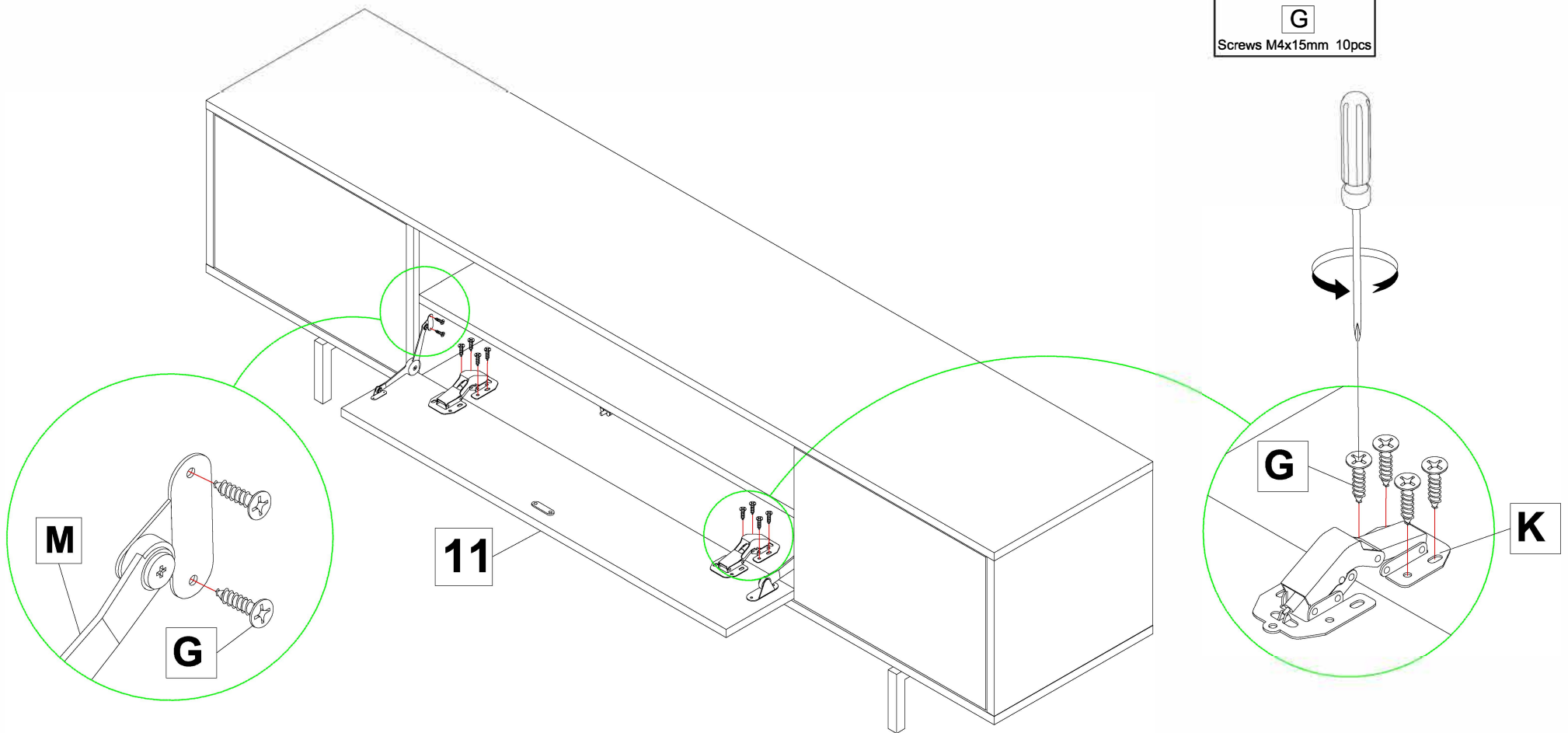
 G Screws M4x15mm 10pcs	 K Middle Door Hinge 2 pcs	 M Support Arm 1 pc
---	--	---



TV CONSOLE

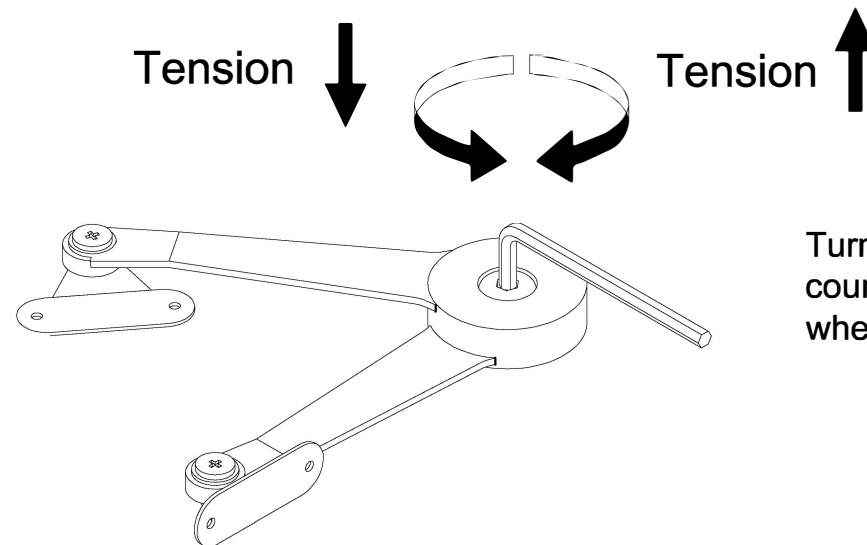
16

G
Screws M4x15mm 10pcs



17 —————

Setting the tension by adjusting the scew with the Allen wrench

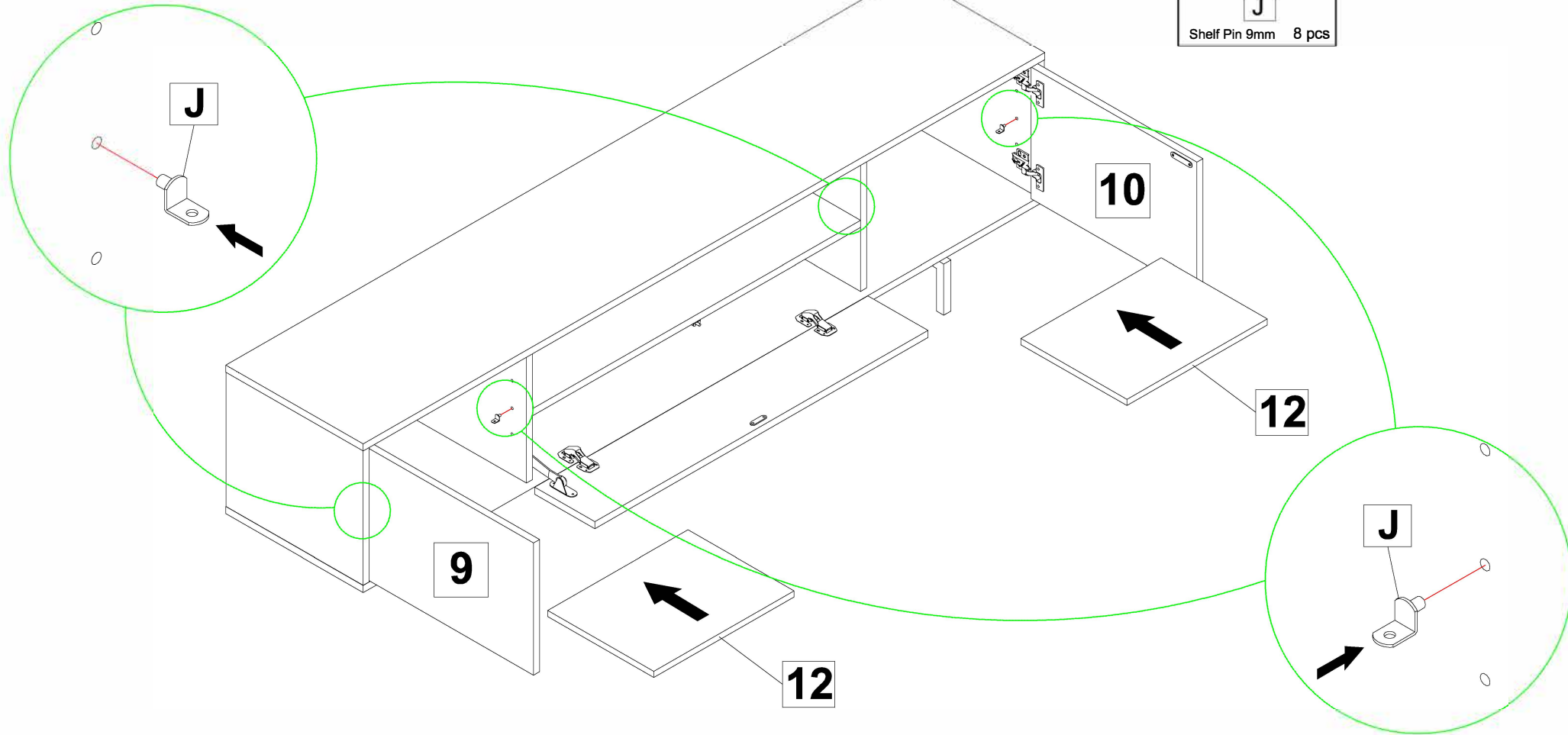
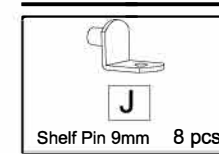


Turn it clockwise to increase the tension,
counterclockwise to decrease the tension
when opening the Center Door

Don't use lubricant

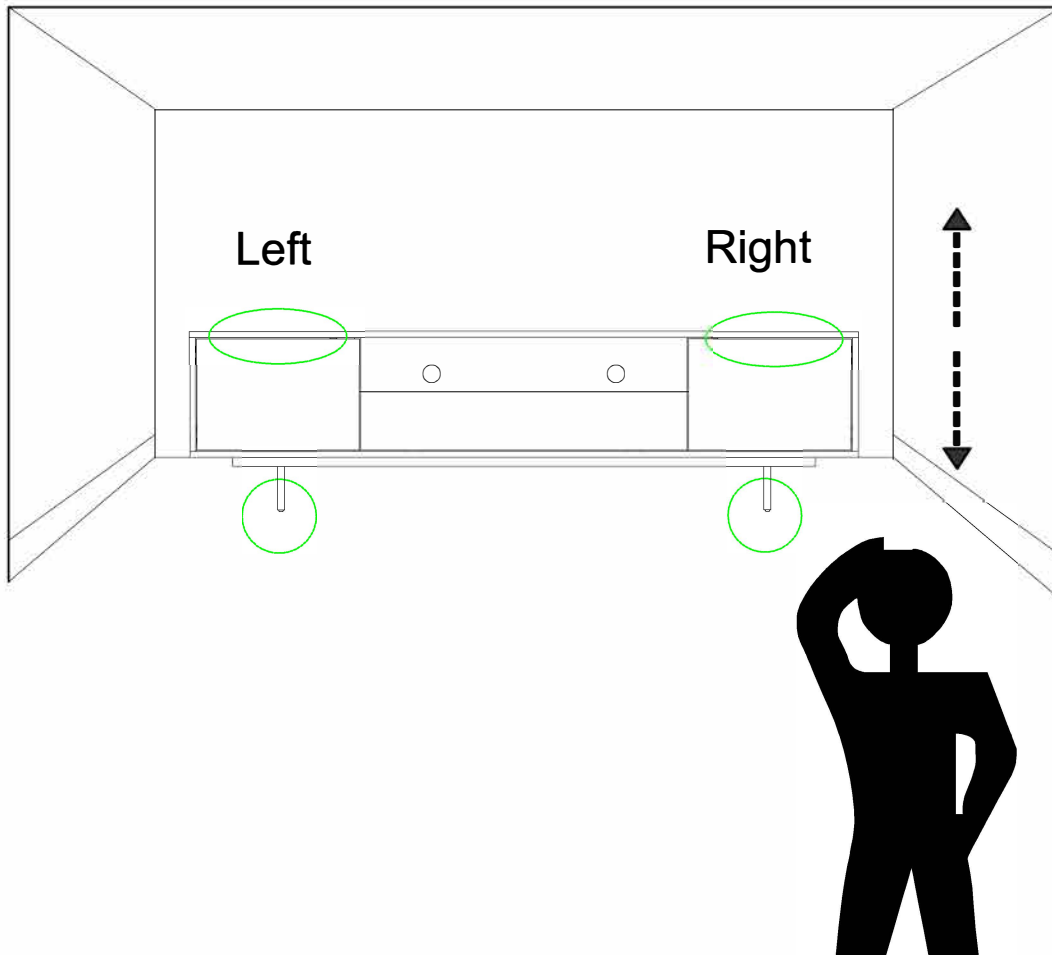
TV CONSOLE

18



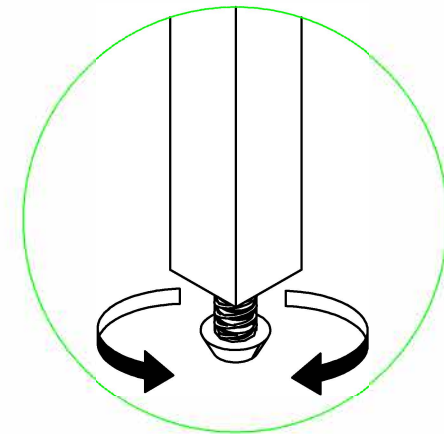
TV CONSOLE

19



Adjustable Floor Leveler

Compare the gap between the Side Door and the Top Panel , if the gap on one side is larger, it means that side is lower than the other side

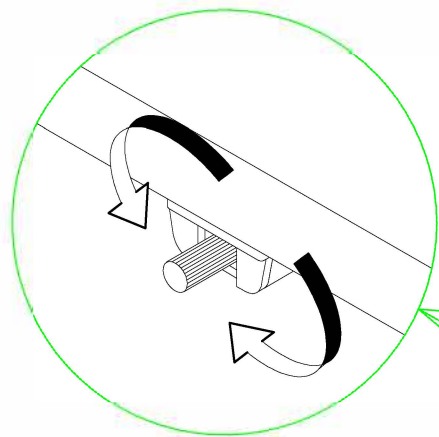


Rotate counterclockwise to increase the length of Floor Leveler, and raise that corner. Rotate clockwise to lower that corner

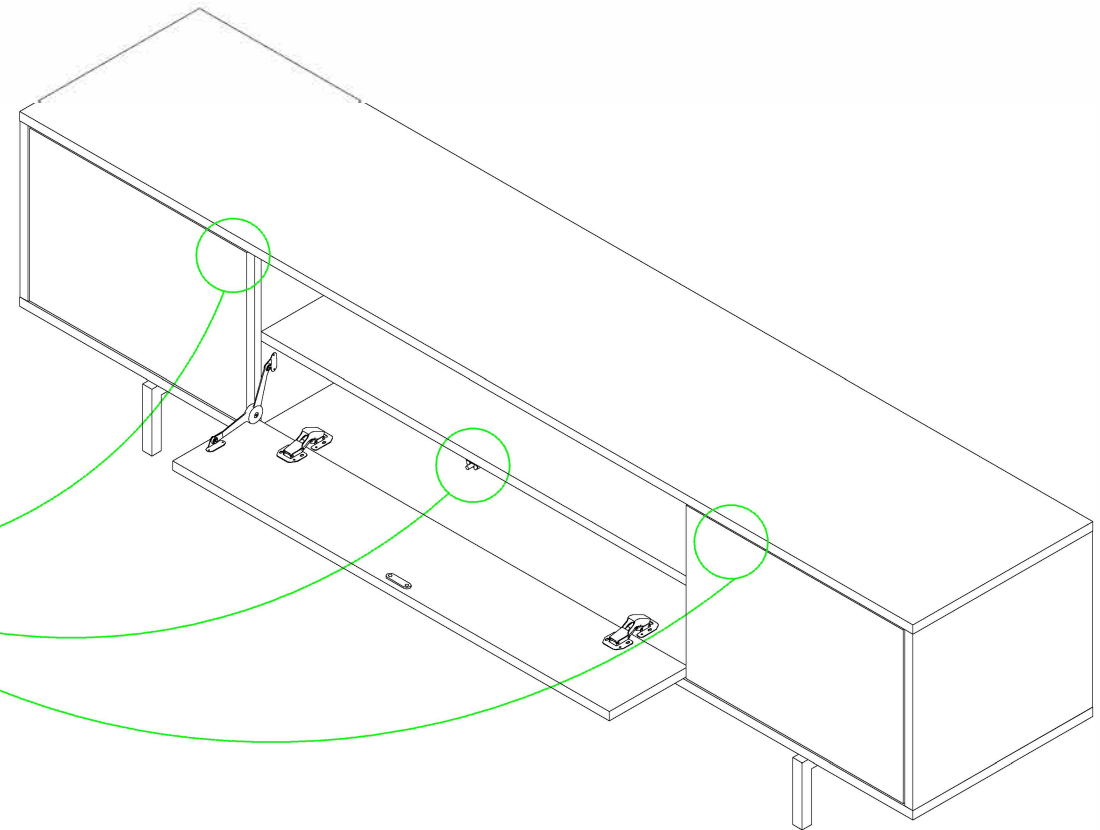
TV CONSOLE

20

Adjustable Magnetic catcher



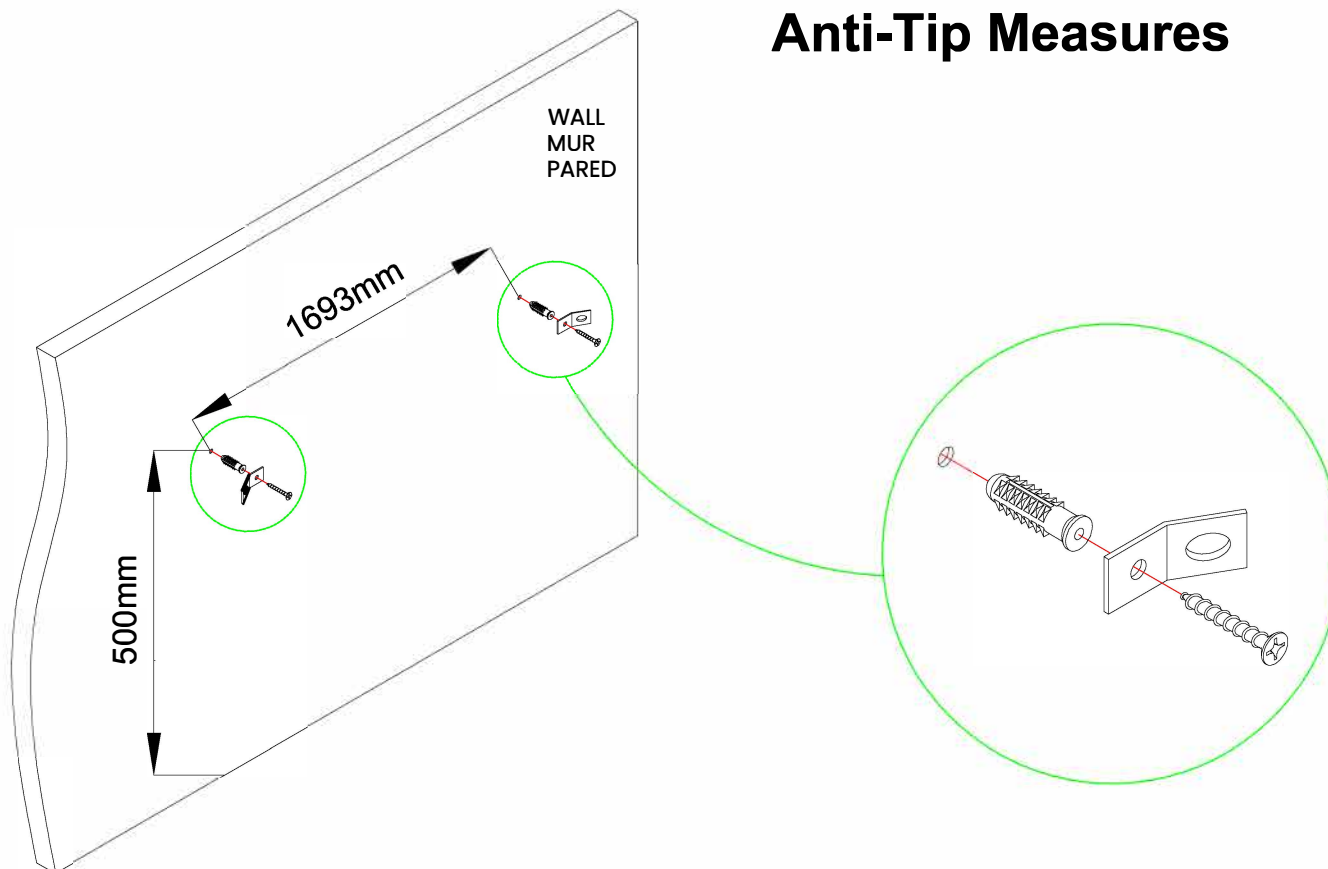
Rotate counterclockwise to increase the length of Magnetic catcher, rotate clockwise to shorten the catcher



TV CONSOLE

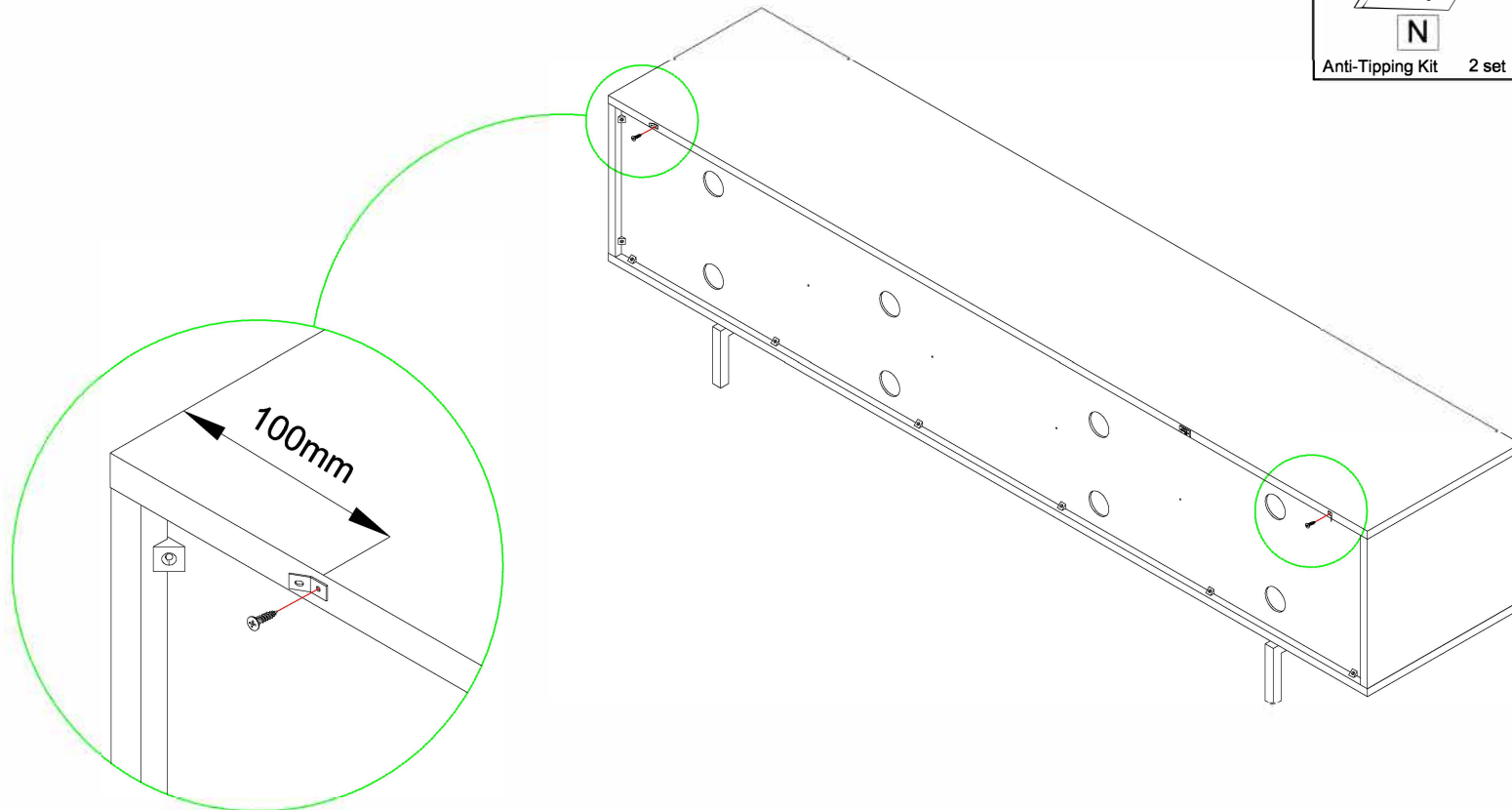
21

Anti-Tip Measures



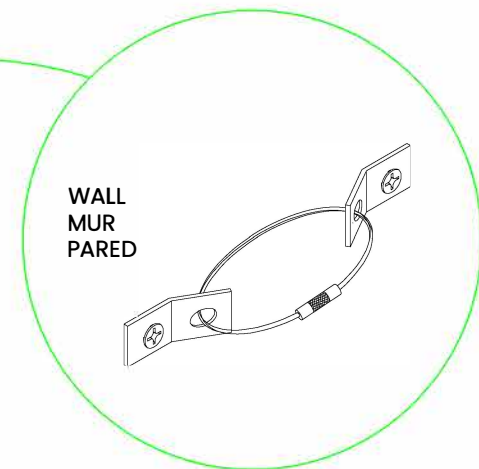
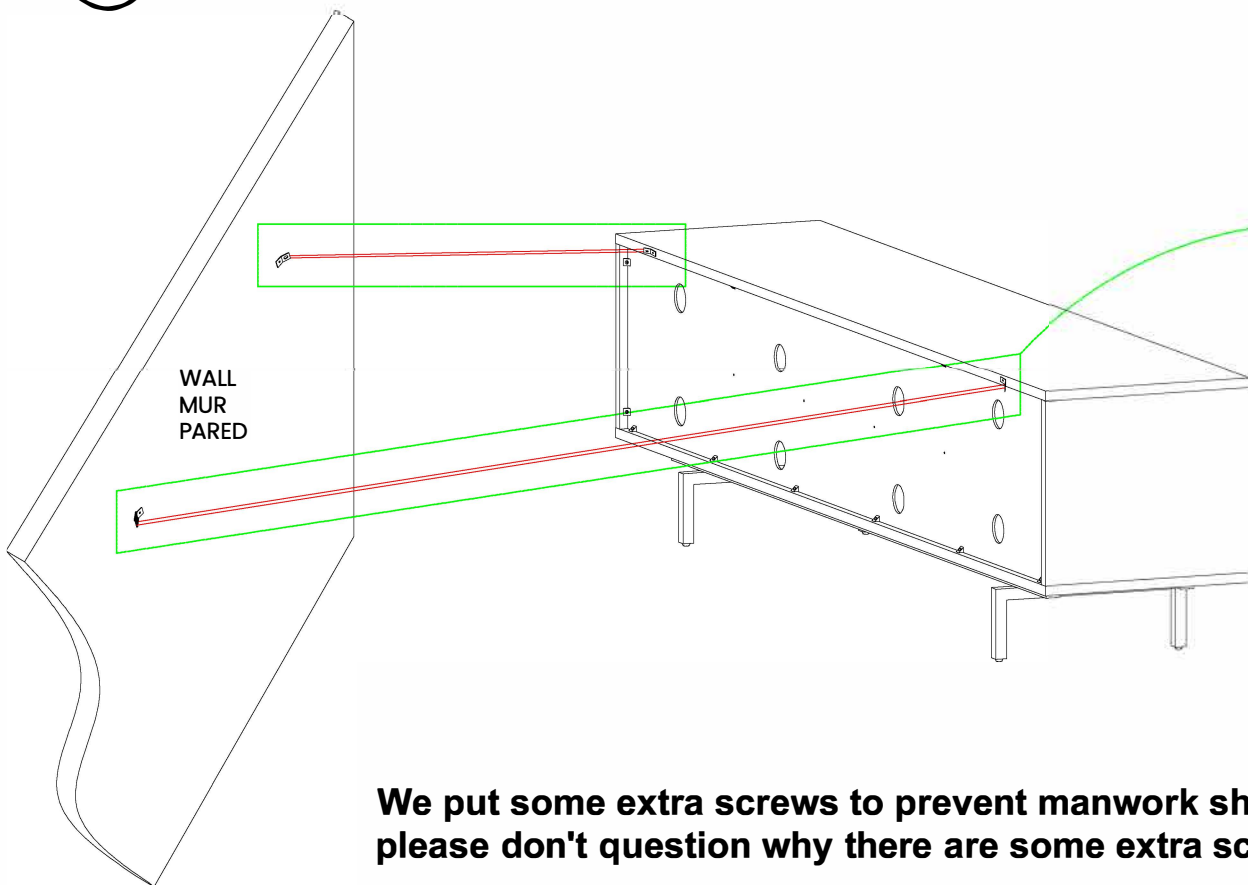
TV CONSOLE

22



TV CONSOLE

23



We put some extra screws to prevent manwork short, it not effect construction so please don't question why there are some extra screws after complete assembled