







KEEP INSTRUCTIONS
FOR FUTURE USE

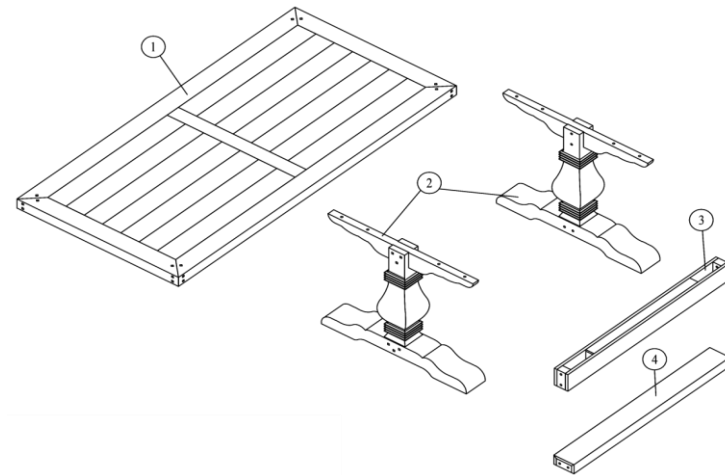
Assembly Instructions

ASSEMBLY REQUIRES
TWO PEOPLE



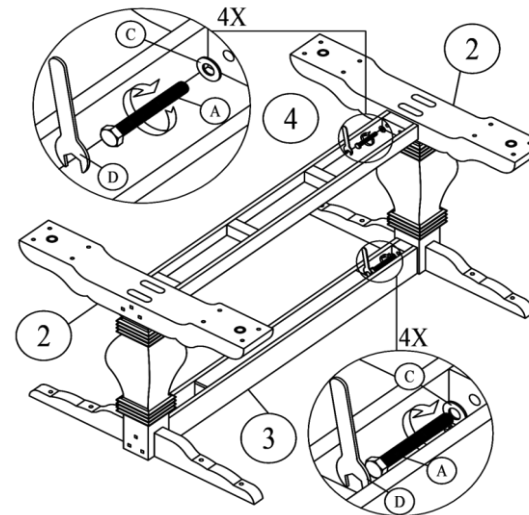
Hardware and Tools		
A	BOLT 0.31" x 2.76" Ø 8mm x 70mm	
	Qty: 12	
B	BOLT 0.31" x 3.94" Ø 8mm x 100mm	
	Qty: 04	
C	WASHER 0.31" x 0.75" x 0.08" Ø 8mm x 19mm x 2mm	
	Qty: 16	
D	OPEN WRENCH K13	
	Qty: 01	

Components:



1	TABLE TOP X 1
2	PEDESTAL LEG x 2
3	TOP SUPPORT X 1
4	STRETCHER x 1

Step 1:



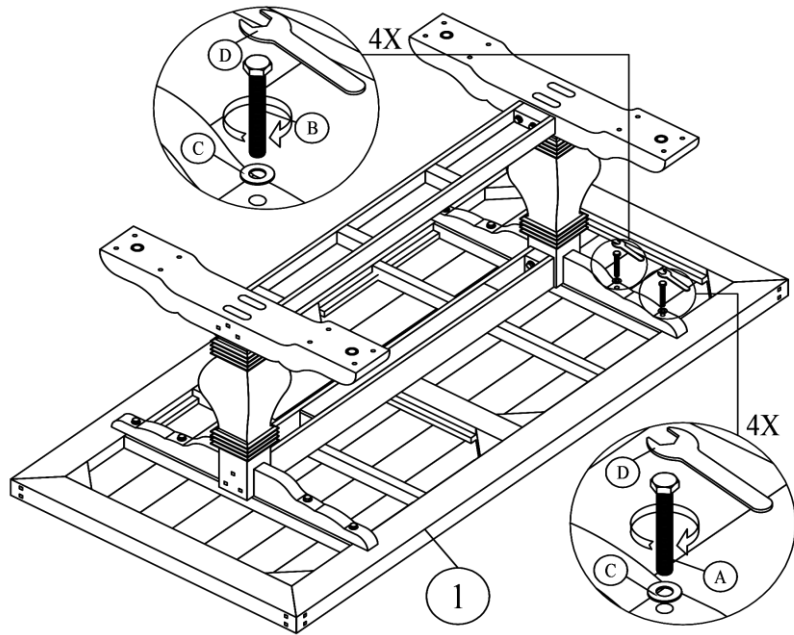
Before Starting:

1. Choose a clean, level, spacious assembly area. Avoid hard surfaces that may damage the product.
2. Always read the instructions carefully before beginning assembly to ensure that you have all required contents.
3. To prevent choking hazards, keep the packaging material out of reach of small children
4. Do not over tighten the bolts as this may damage the thread.
5. Use only vendor supplied hardware to assemble. Using unauthorized hardware could jeopardize the structural integrity of the item.
6. The use of power tools to aid in assembly is not recommended. Power tools can damage hardware and split wood.

- Install the Top Support (3) and the Stretcher (4) to the Pedestal Legs (2) by using Bolts (A), Washers (C) and Open Wrench (D).

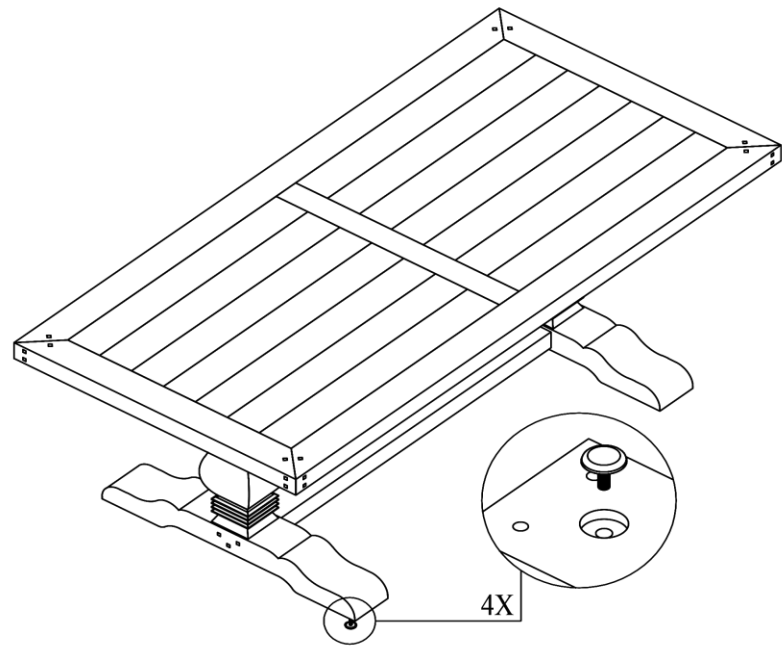
Assembly Instructions Continued

Step 2:



- Install the whole leg into the Table Top (1) by using Open Wrench (D) to tighten Bolts (A), Bolts (B) and Washers (C).

Step 3:



- With two people carefully turn the table and stand on its leg.
- If the table doesn't sit level, please adjust the adjustable bolt under the legs.
- Completed item.