

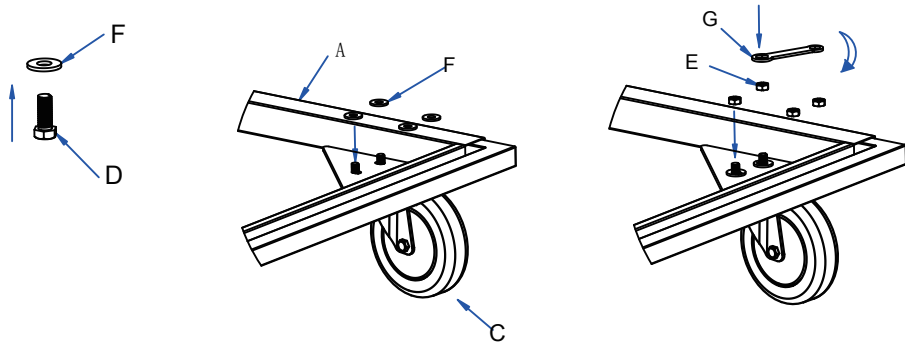
# NOR-FEI1020-S0 ASSEMBLY INSTRUCTIONS



## Part list

Part no.	Drawing	Description	Qty. pcs
A		Base	1
B		Enclosure Pole	5
C		Wheel with brake	4
D		Bolt	16
E		Nut	16
F		Steel washer	32
G		Spanner	2

STEP 1: a) Put F on D firstly , assemble C with F&D X 4pcs , another F X 4pcs and E X4pcs to A .



b) Repeat step a) ,assemble four wheels to base .

STEP2: Insert B X 5pcs to base .

