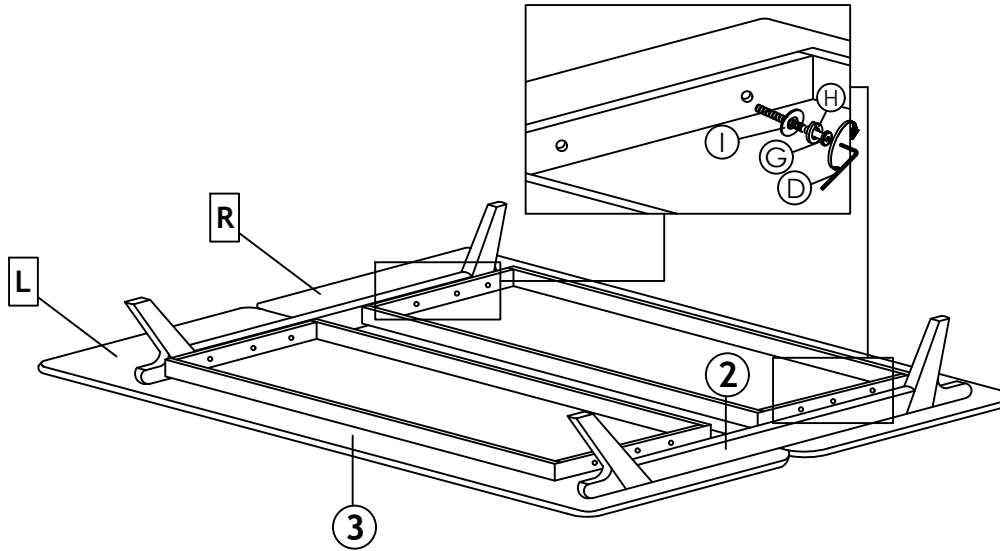


STEP 1 :

Place **Matress Panel (3)** and **Legs (2)** on a carpeted or padded area as shown. Attach **Legs (2)** into **Matress Panel L & R (3)** by inserting **JCBC SCREW M6 x 40mm(G)**, **Spring Washer 1/4"(H)** and **Flat washer 1/4" (I)**. Tighten with **M4 Allen Key (Ball Shape)Long(D)**.

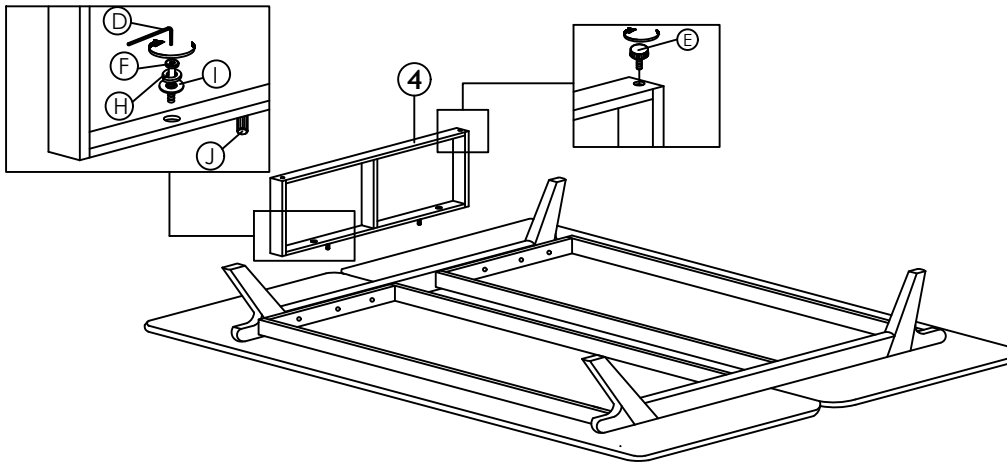


G x 12	H x 12	I x 12	D x 1

Hardware & Tool required

STEP 2 :

1. Secure the **Wooden Support(4)** by using **Bolt Base Glide M6 x 23(C83)(E)**. Insert the wooden dowels into the bottom holes on each side of the **Wooden Support(4)**.
2. Attach **Wooden Support(4)** first by inserting the other end of the **Wooden Dowels(J)** into the corresponding holes on the **Matress Panel (3)**, and then secure by inserting **JCBC Screw M6 x 35mm(F)**, **Spring Washer 1/4"(H)** and **Flat Washer 1/4"(I)**. Then, tighten with **M4 Allen Key (Ball Shape) Long(D)**.



F x 2	H x 2	I x 2	D	E x 2	J x 2

Hardware & Tool required