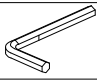
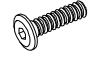

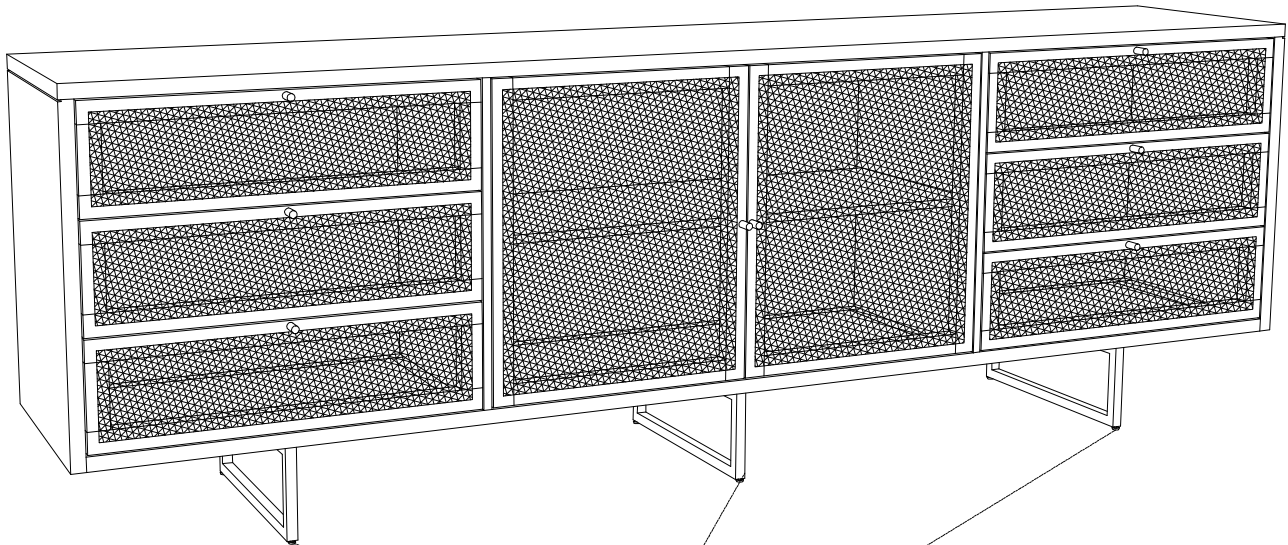


Hardware and Component list:

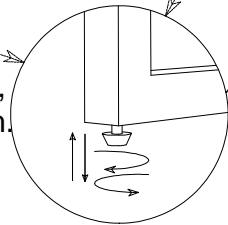
NO.	Hardware List	Size	Q'ty
A	 Allen key	4 mm	1
B	 Allen bolt	6x20 mm	18
C	 Washer	8x22 mm	18

Assembly Instruction

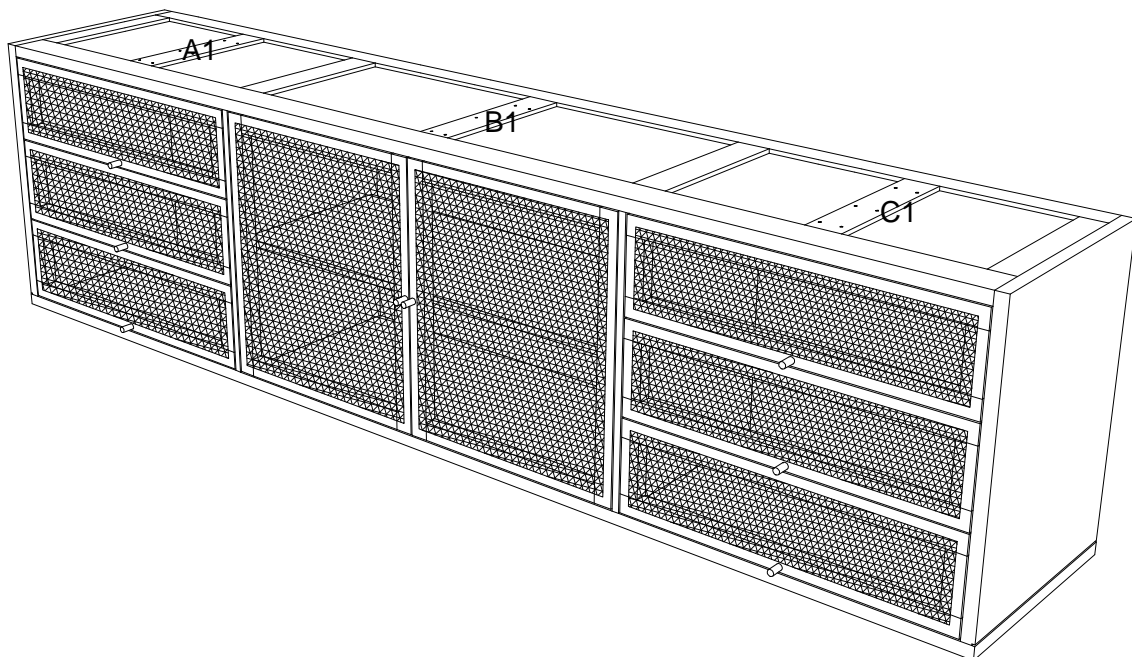
Sideboard



Level Adjustment :
 In case the doors or handles are not aligned,
 use levelers to adjust the balance of the item.

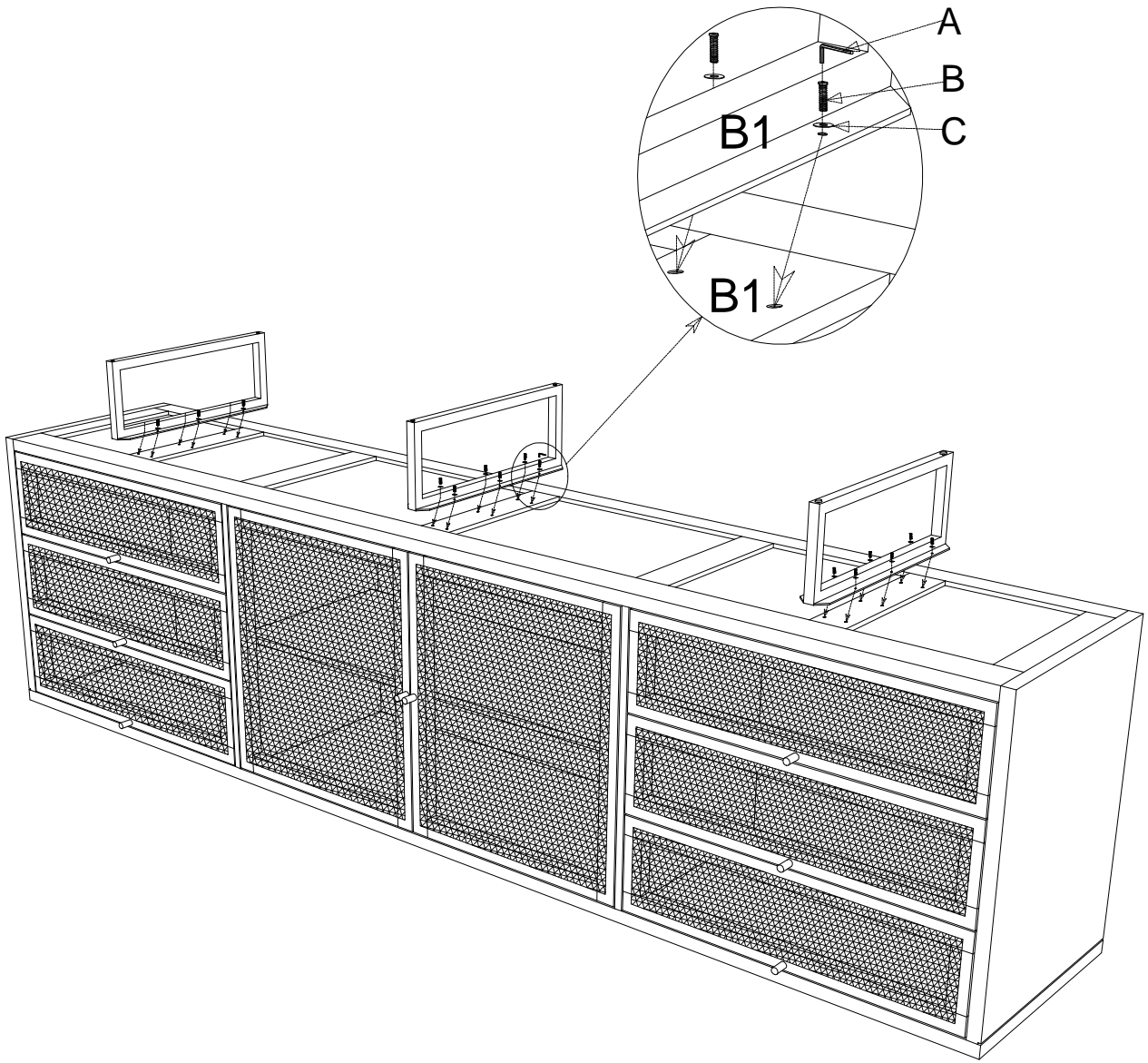


1

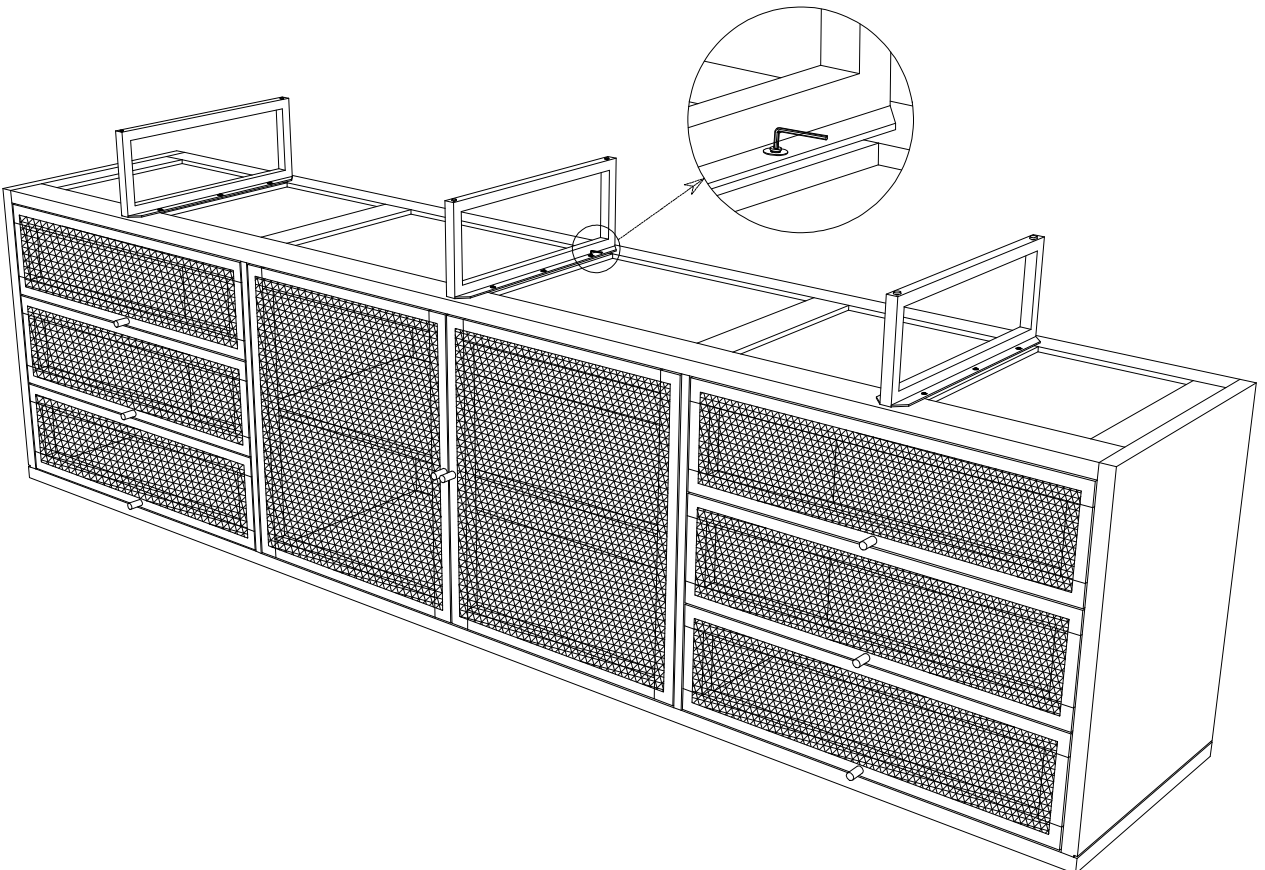


CAUTION : Please do not over tighten bolts.

2



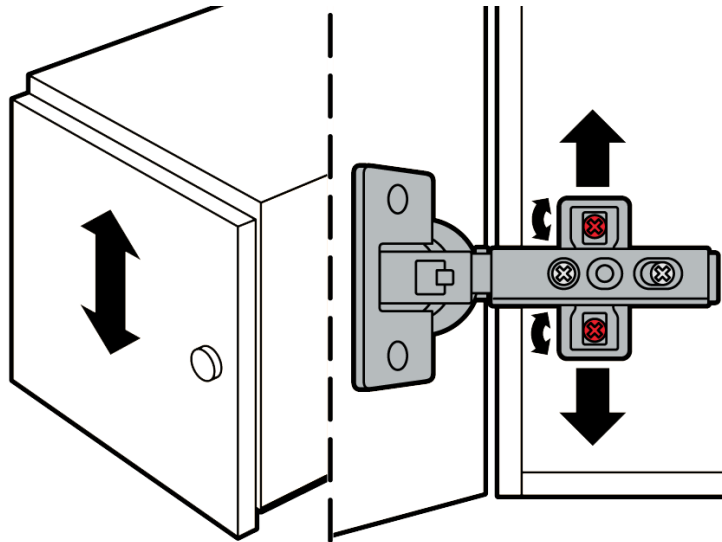
3



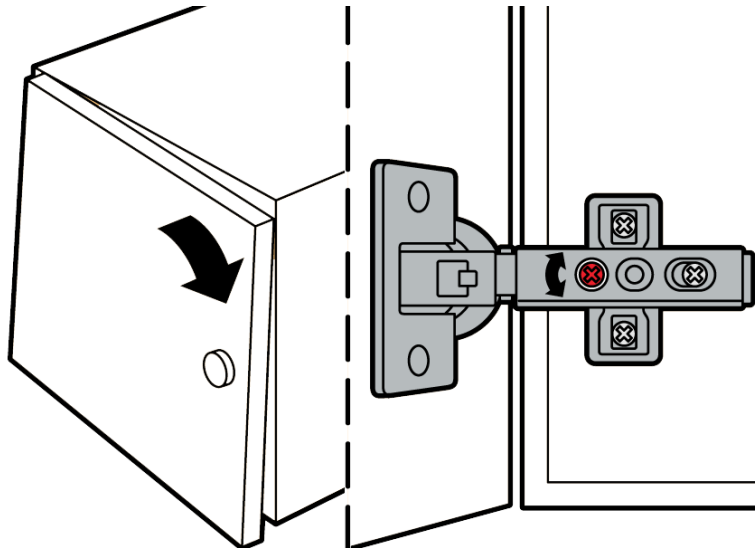
CAUTION : Please do not over tighten bolts.

Hinge adjustment

1



2



3

