

CUSHION BOX





	C1	4
	C4	5
	C5	2

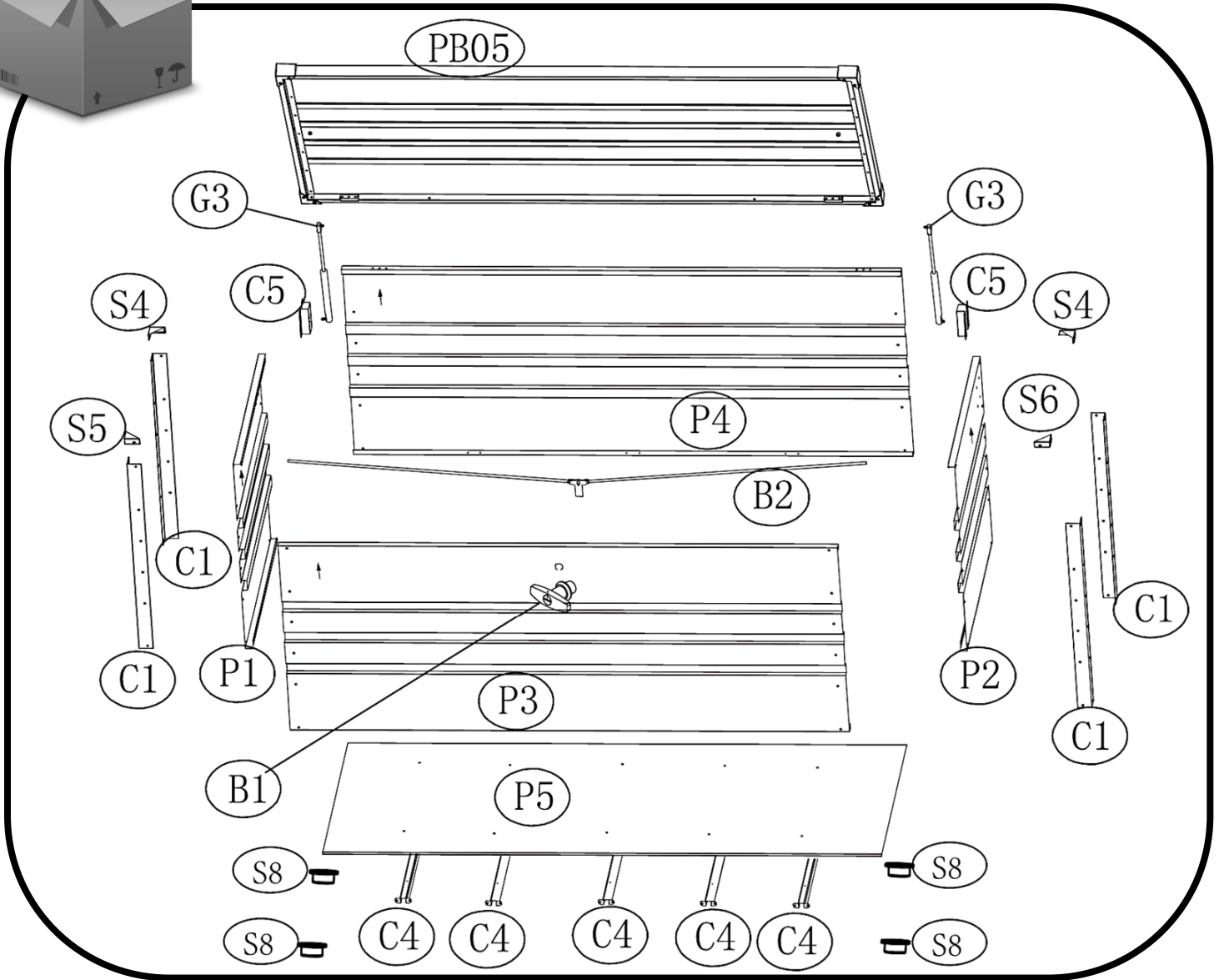
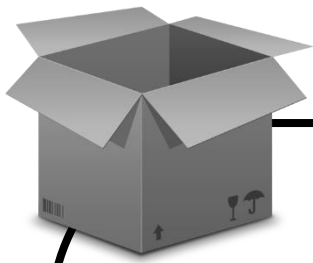
	B1	1
	B2	1
	G3	2



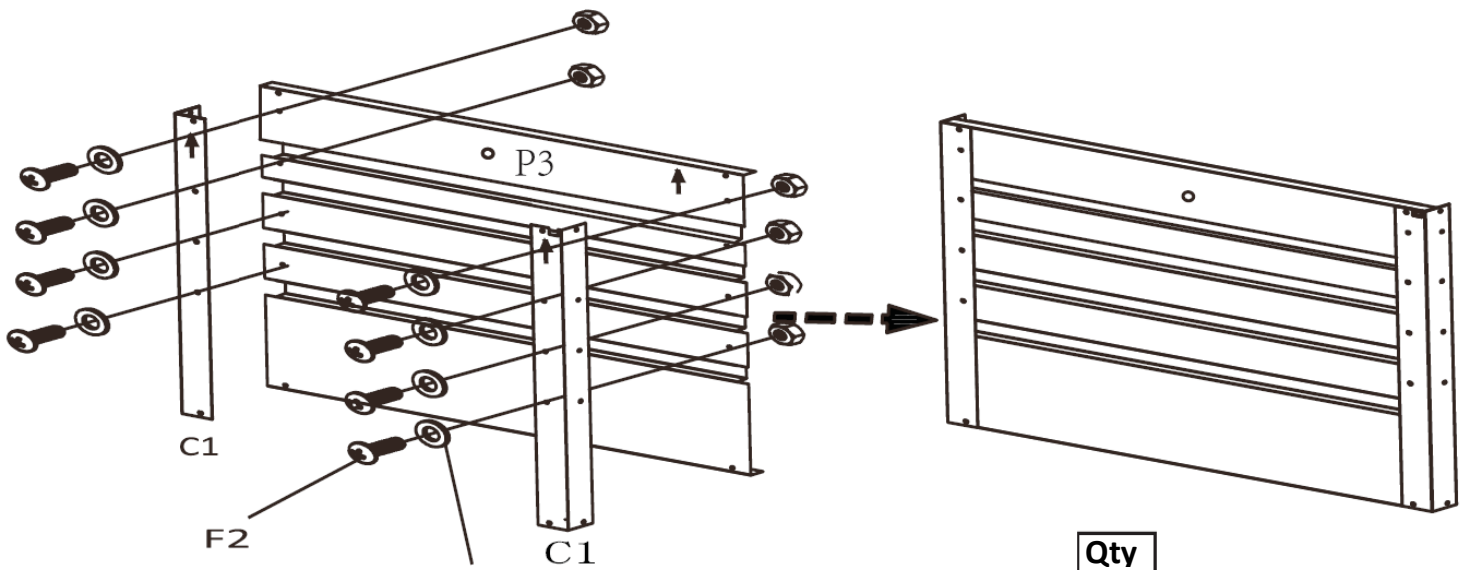
	PB05	1
	P1	1
	P2	1
	P3	1
	P4	1
	P5	1



	S4	2
	S5	1
	S6	1
	F1	46
	F2	49
	S3	50
	F8	4
	S8	4

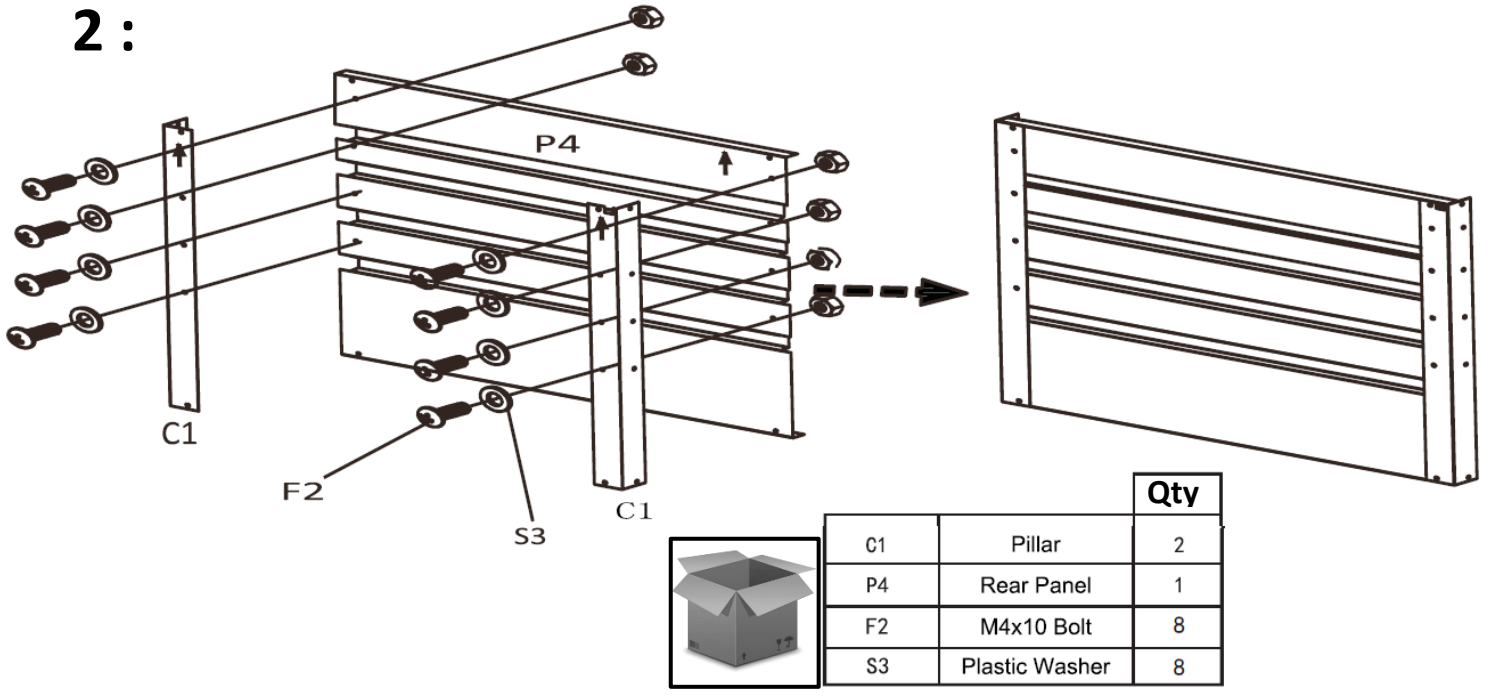


1:



		Qty
C1	Pillar	2
P3	Front Panel	1
F2	M4x10 Bolt	8
S3	Plastic Washer	8

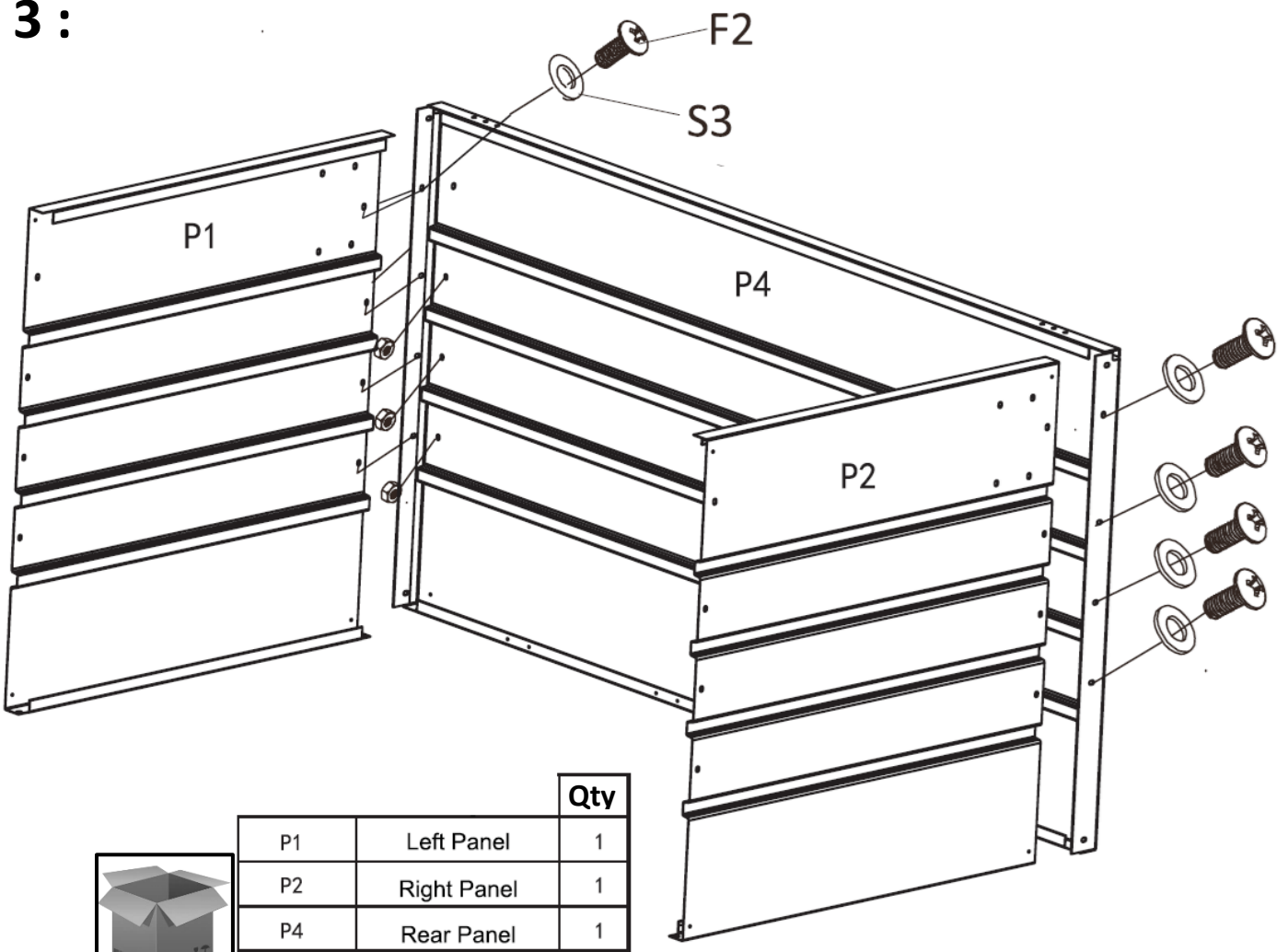
2 :



		Qty
C1	Pillar	2
P4	Rear Panel	1
F2	M4x10 Bolt	8
S3	Plastic Washer	8



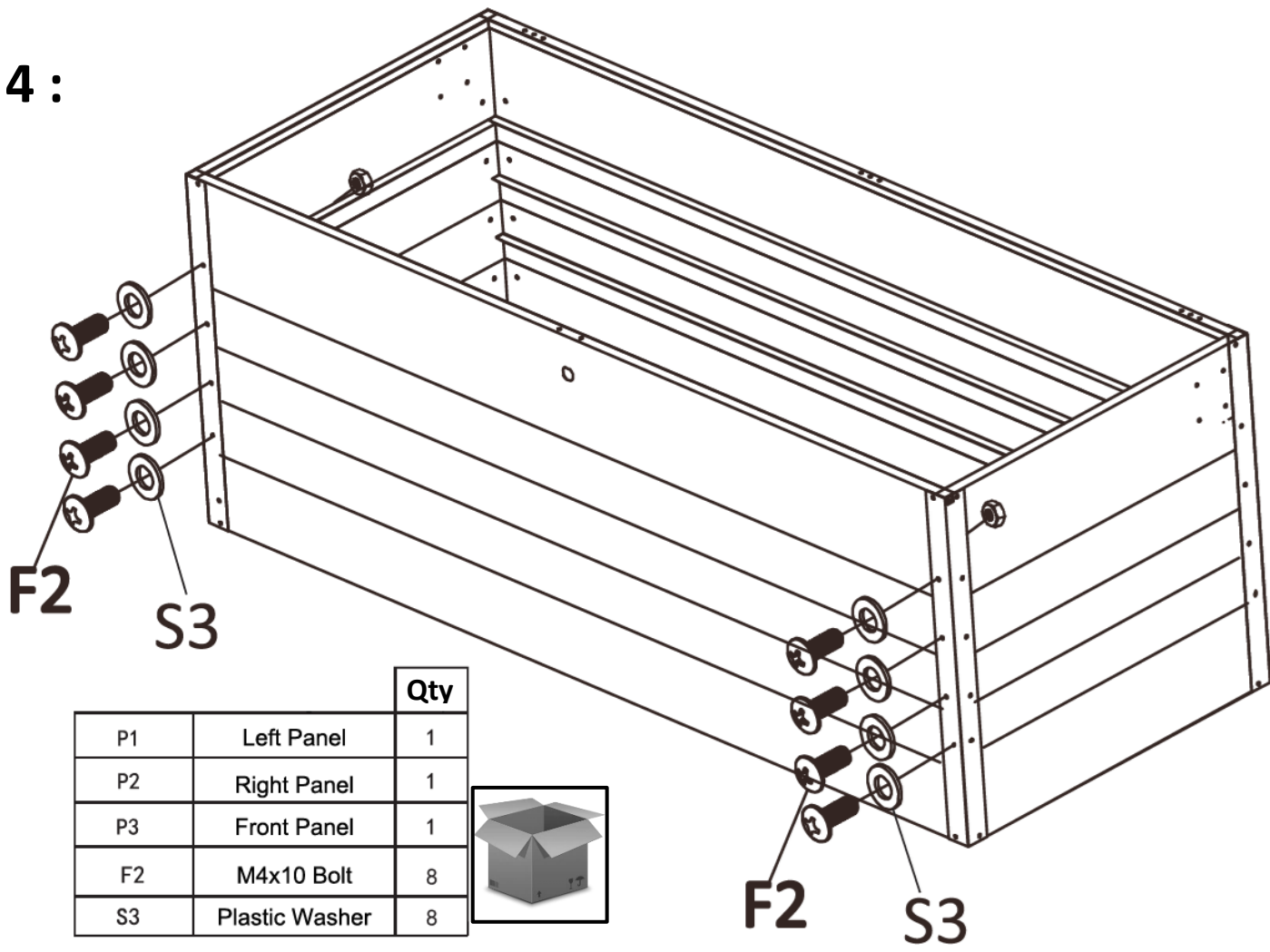
3 :



		Qty
P1	Left Panel	1
P2	Right Panel	1
P4	Rear Panel	1
F2	M4x10 Bolt	8
S3	Plastic Washer	8



4 :

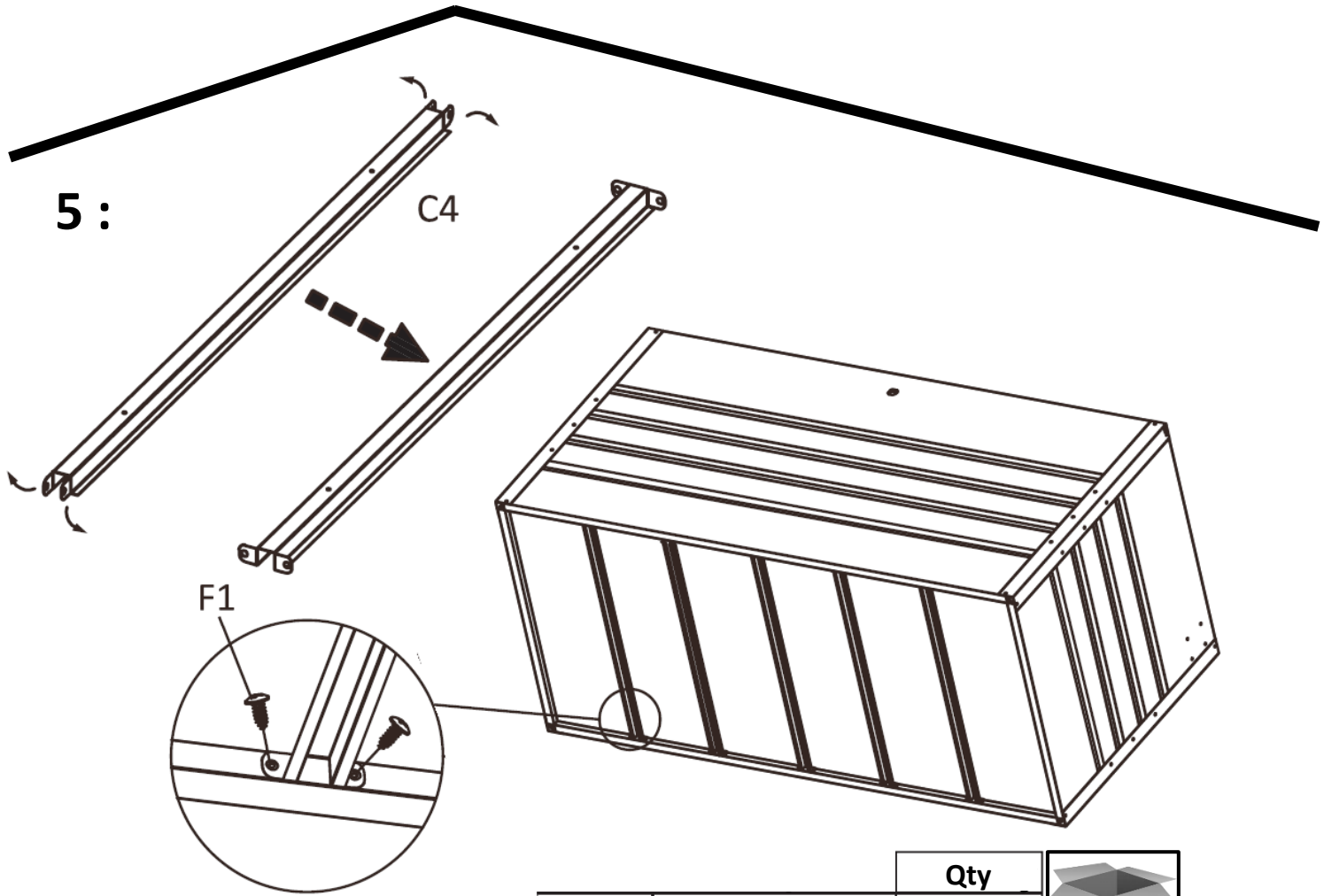


		Qty
P1	Left Panel	1
P2	Right Panel	1
P3	Front Panel	1
F2	M4x10 Bolt	8
S3	Plastic Washer	8

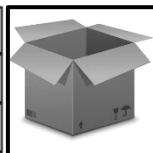


F2 S3

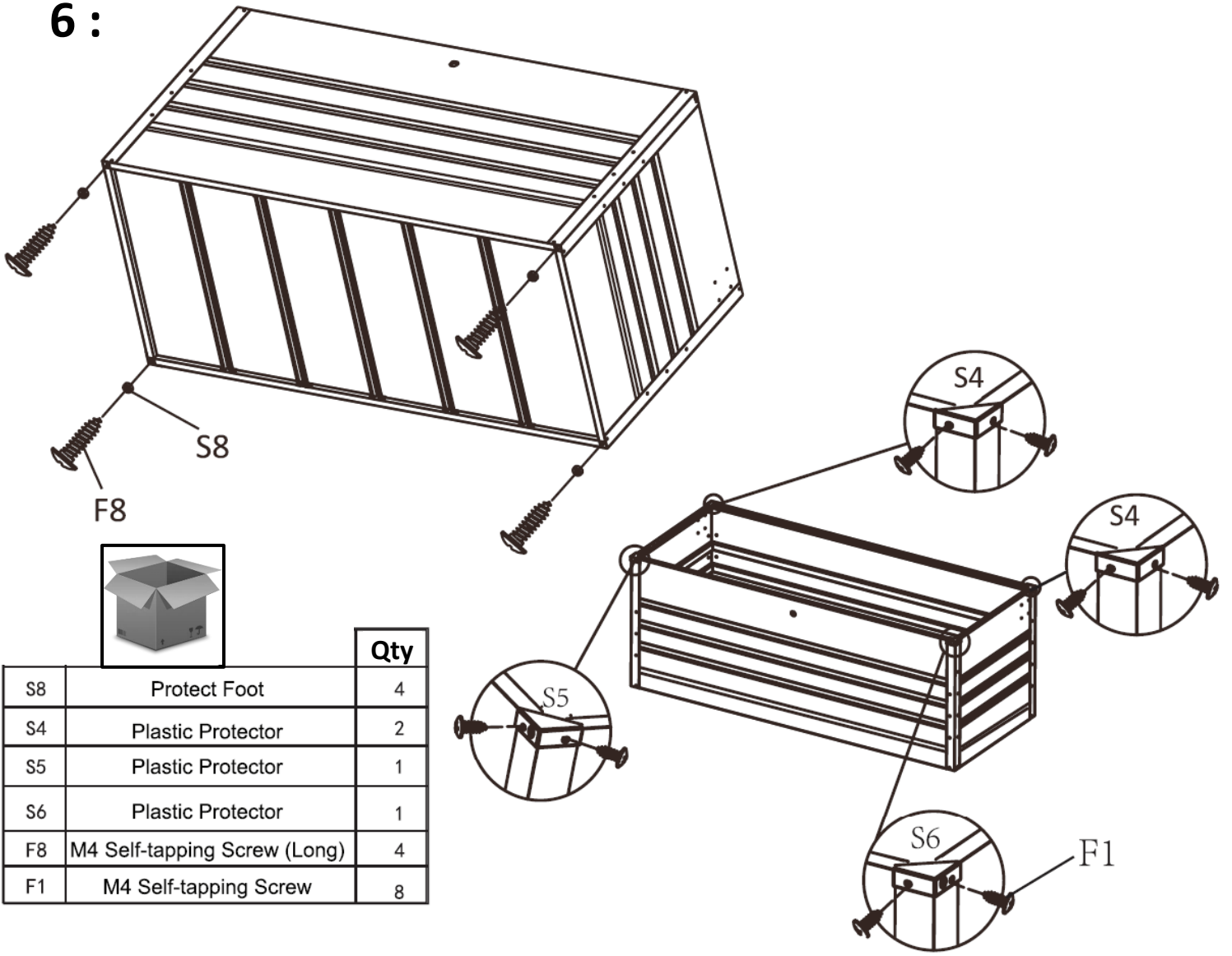
5 :



		Qty
C4	Bottom Stiffener	5
F1	M4 Self-tapping Screw	20

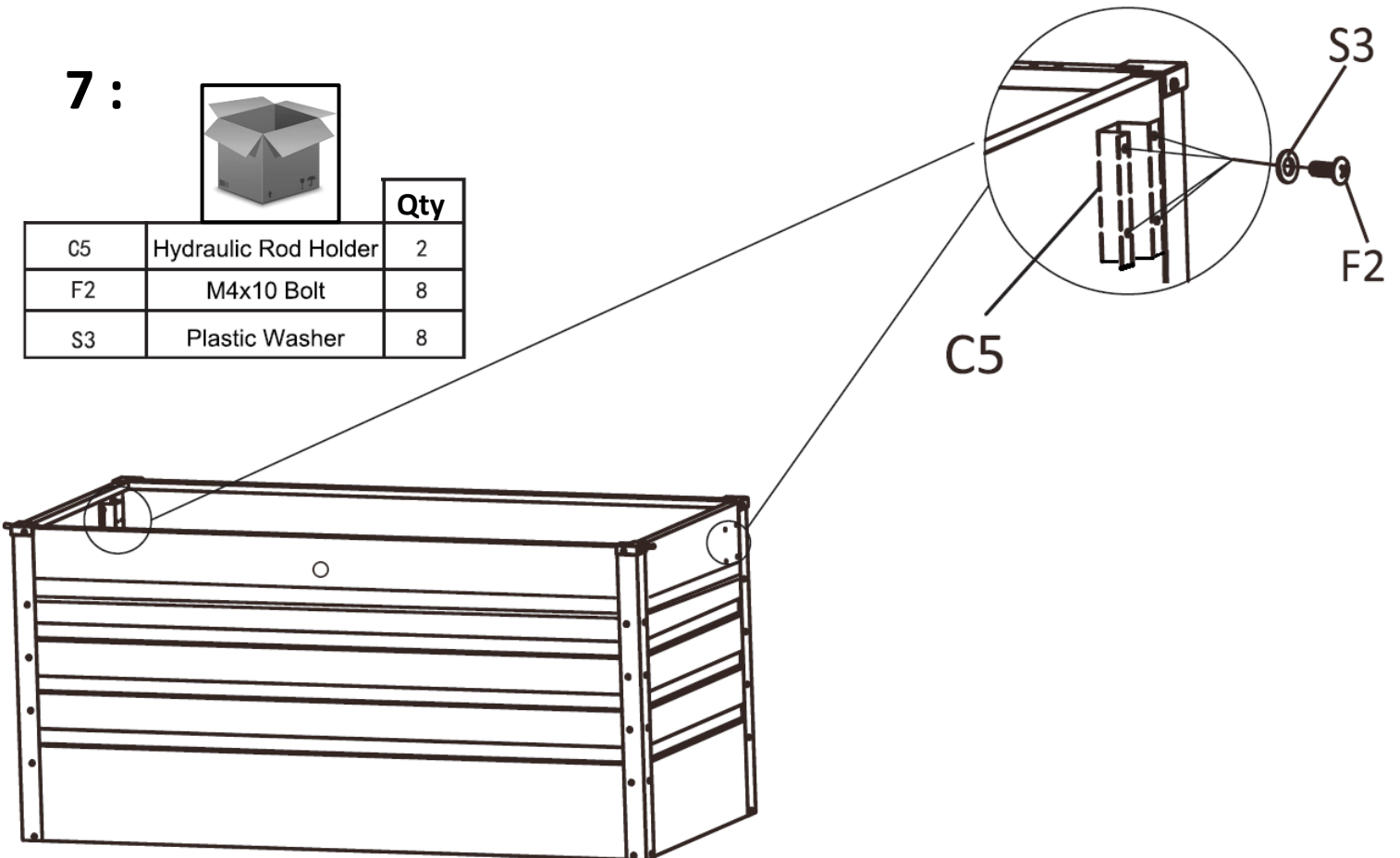


6 :



		Qty
S8	Protect Foot	4
S4	Plastic Protector	2
S5	Plastic Protector	1
S6	Plastic Protector	1
F8	M4 Self-tapping Screw (Long)	4
F1	M4 Self-tapping Screw	8

7 :

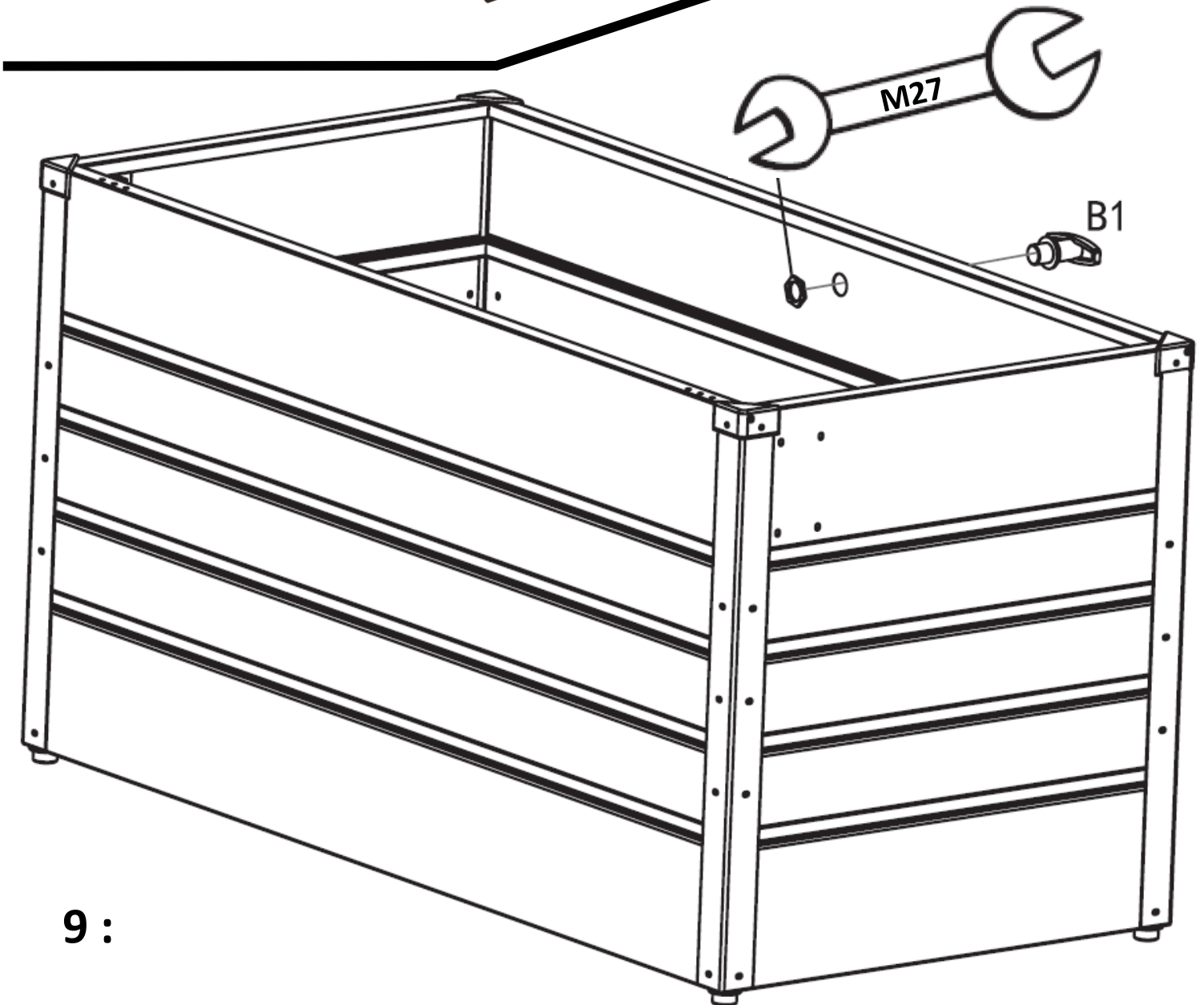
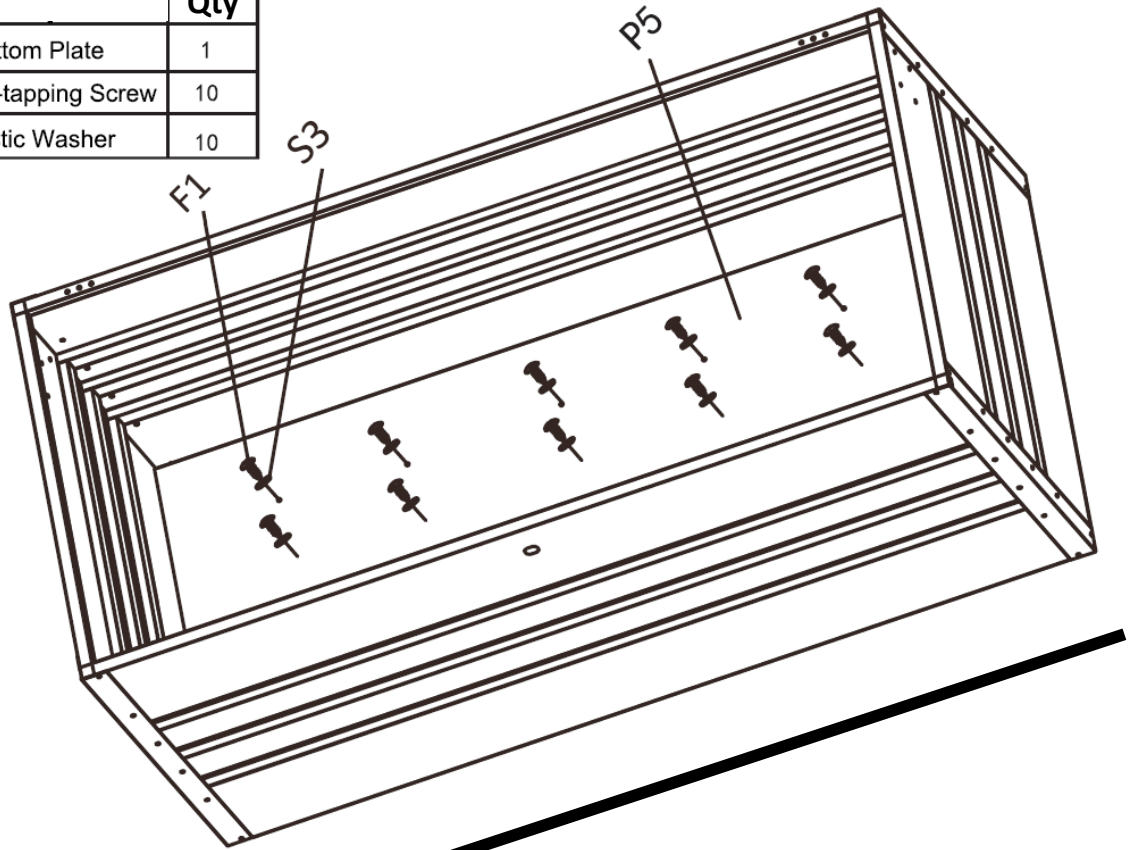


		Qty
C5	Hydraulic Rod Holder	2
F2	M4x10 Bolt	8
S3	Plastic Washer	8

8 :

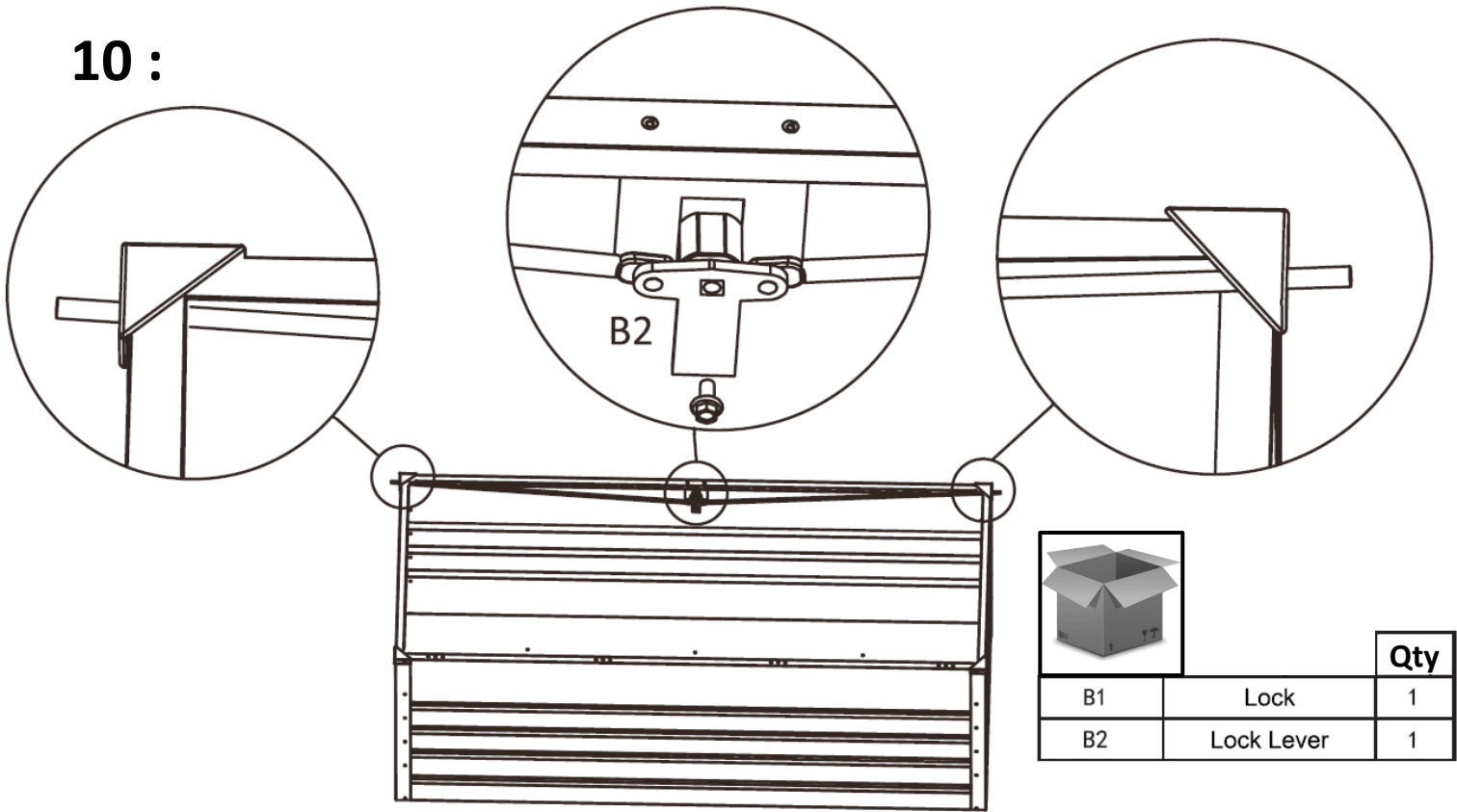


		Qty
P5	Bottom Plate	1
F1	M4 Self-tapping Screw	10
S3	Plastic Washer	10

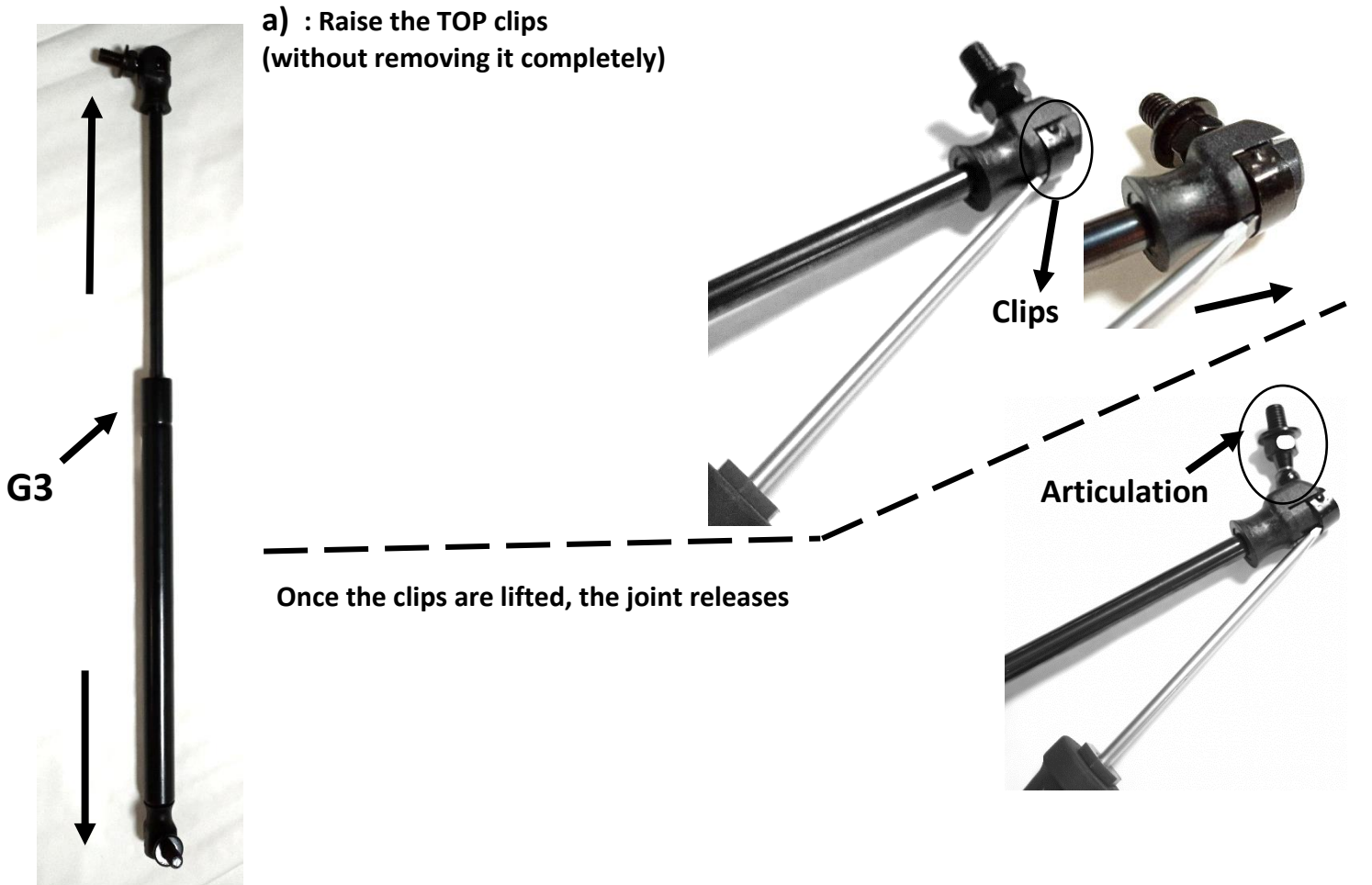


9 :

10 :

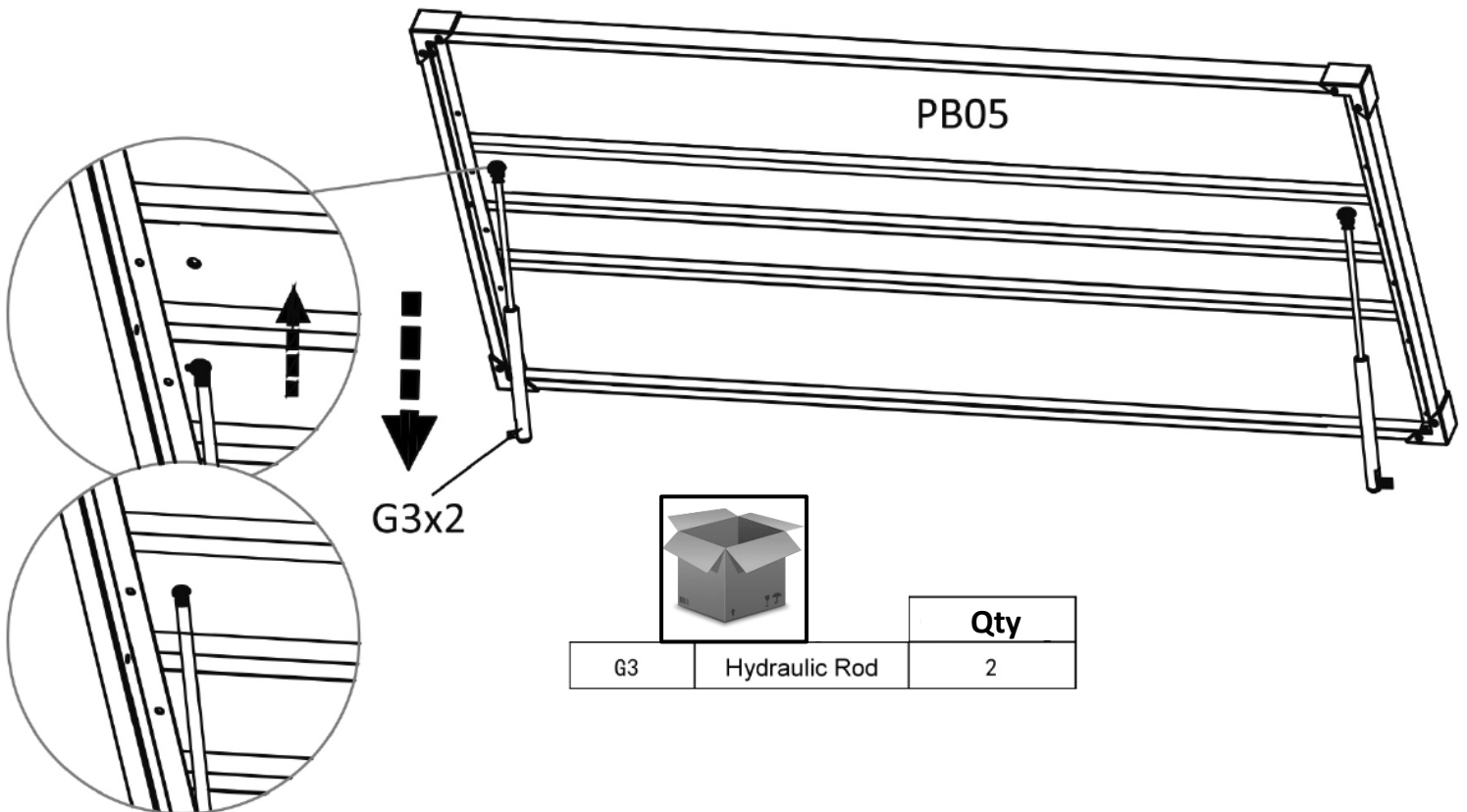
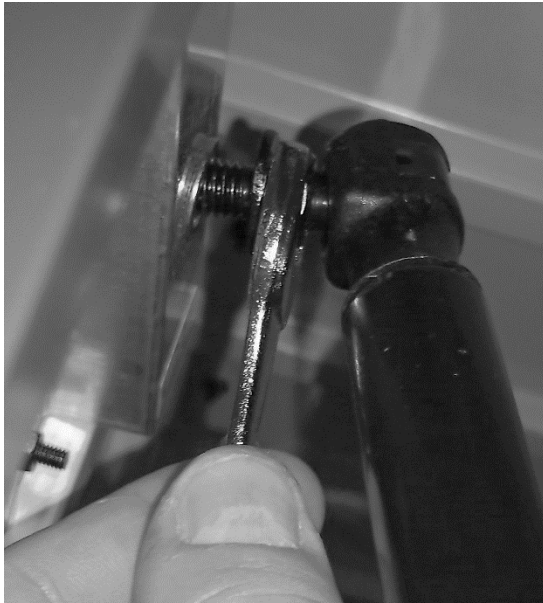


11 : Assembly of hydraulic cylinders



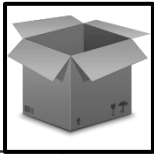
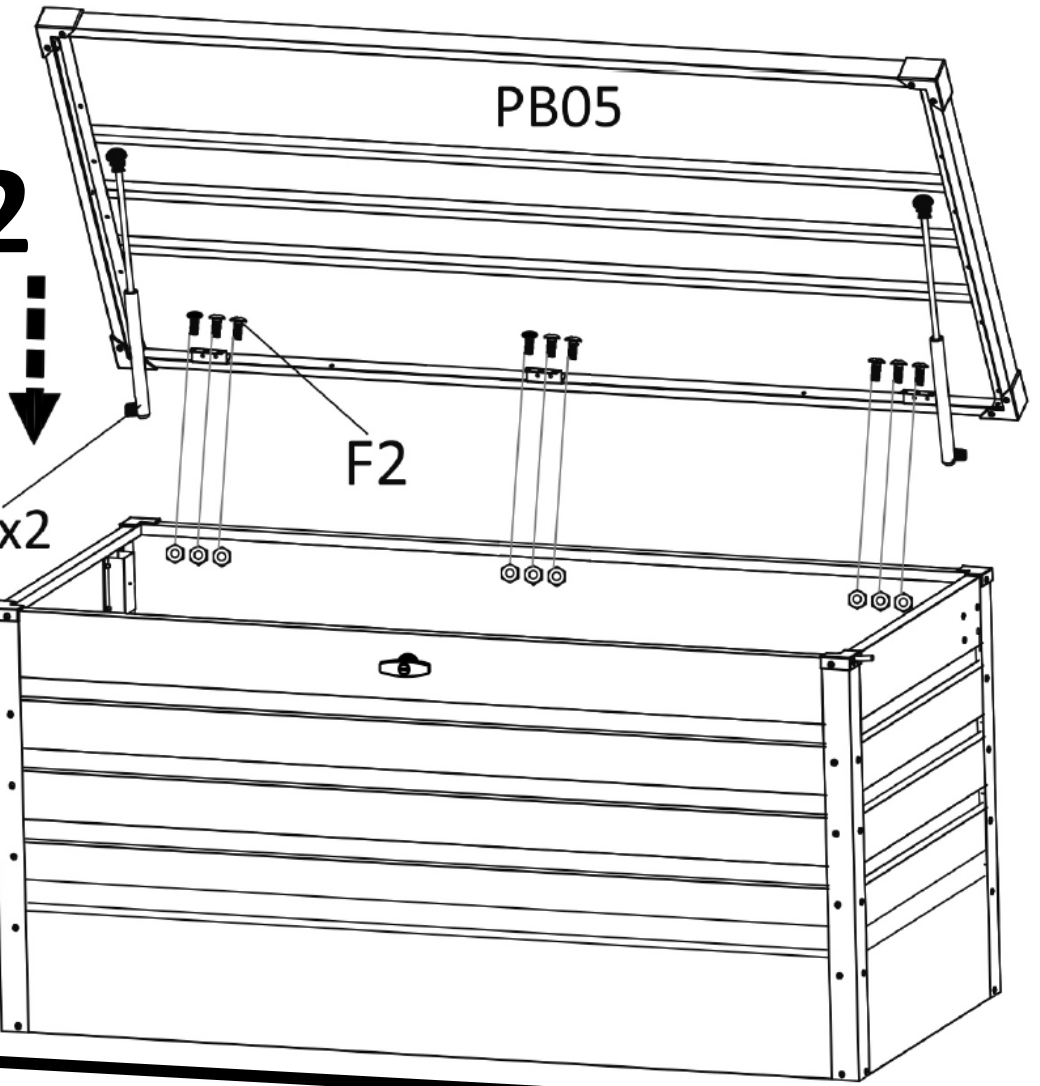
11 : ...

b) Screwing the cylinder from the BOTTOM into component C5 of the boot



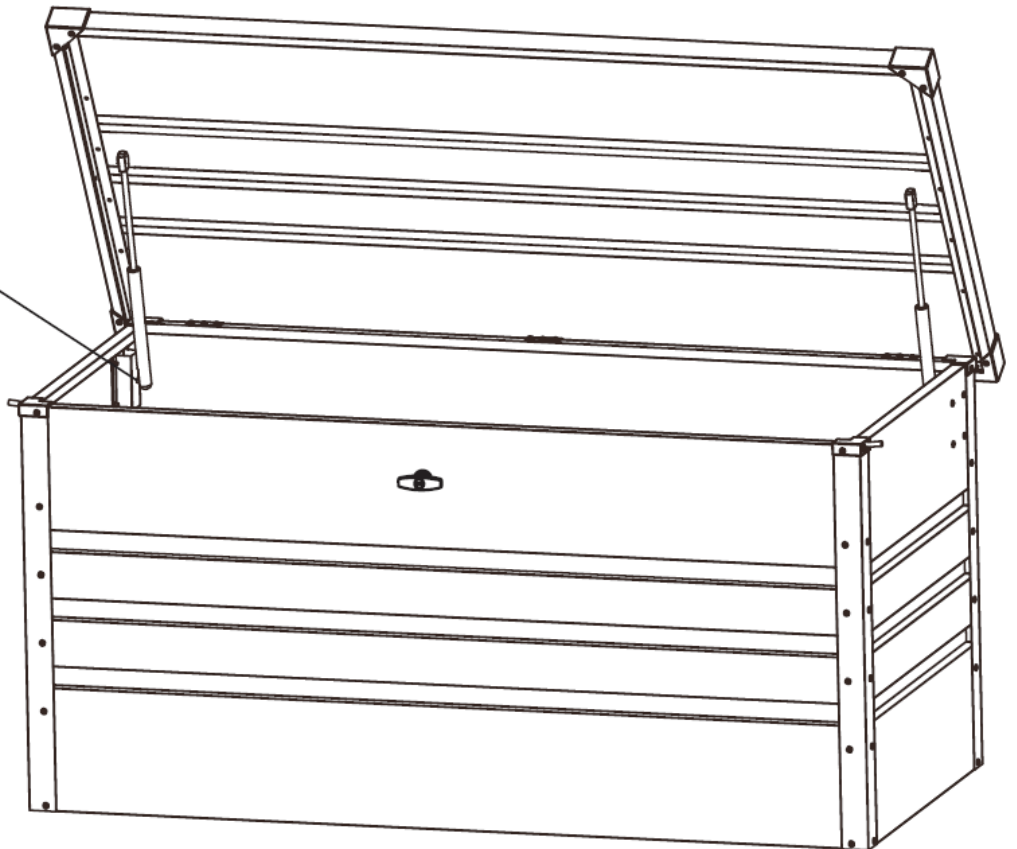
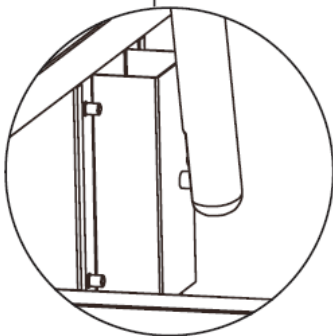
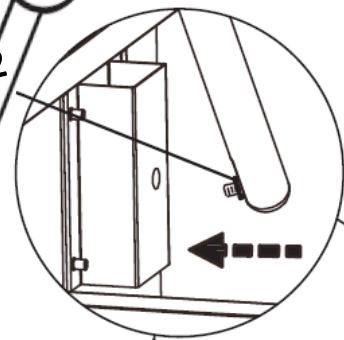
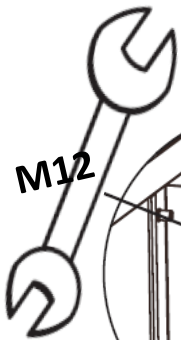
		Qty
G3	Hydraulic Rod	2

12 :

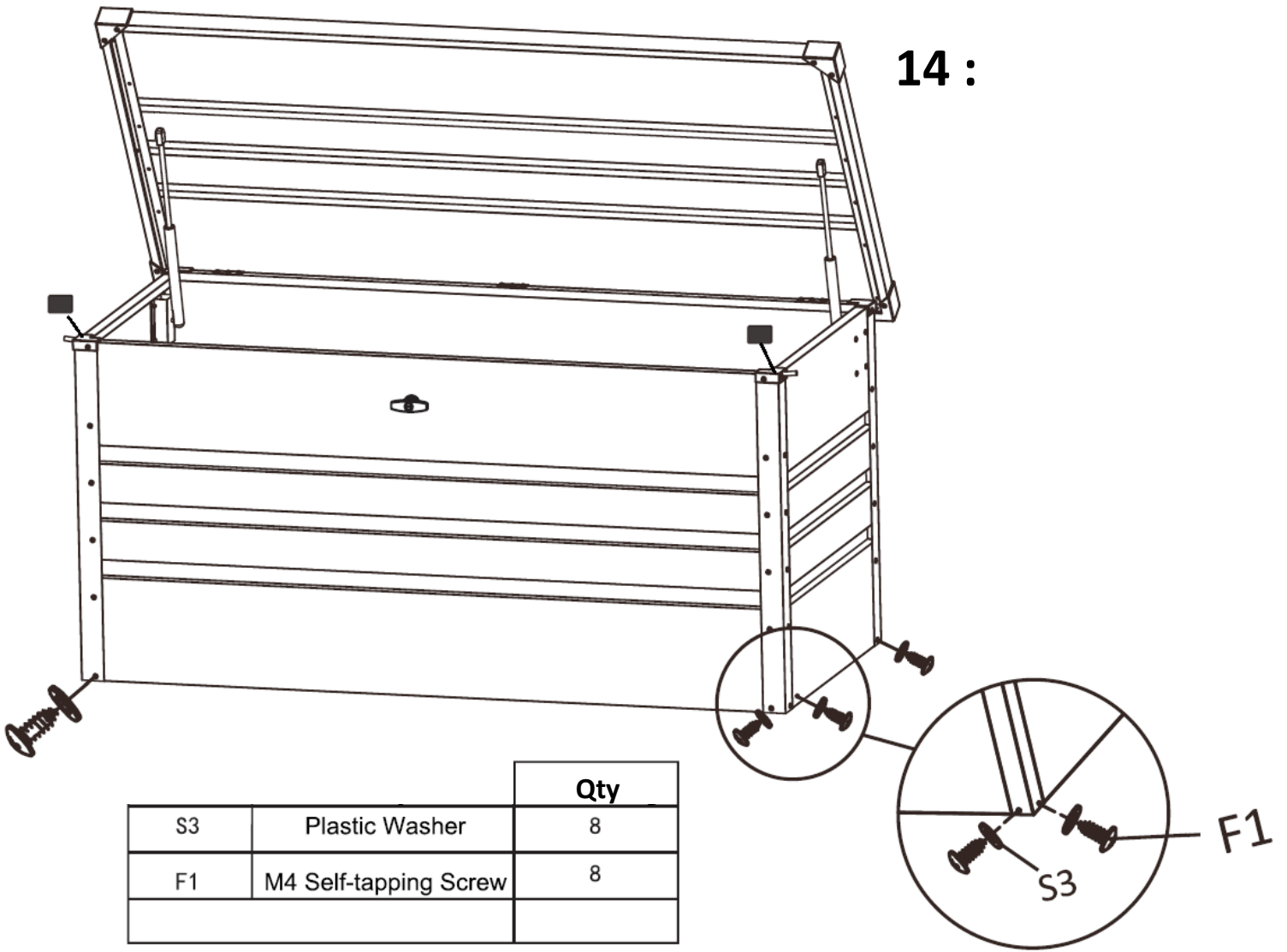


		Qty
PB05	Top Lid	1
G3	Hydraulic Rod	2
F2	4x10 Bolt	9

13 :



14 :



FINAL OVERVIEW

