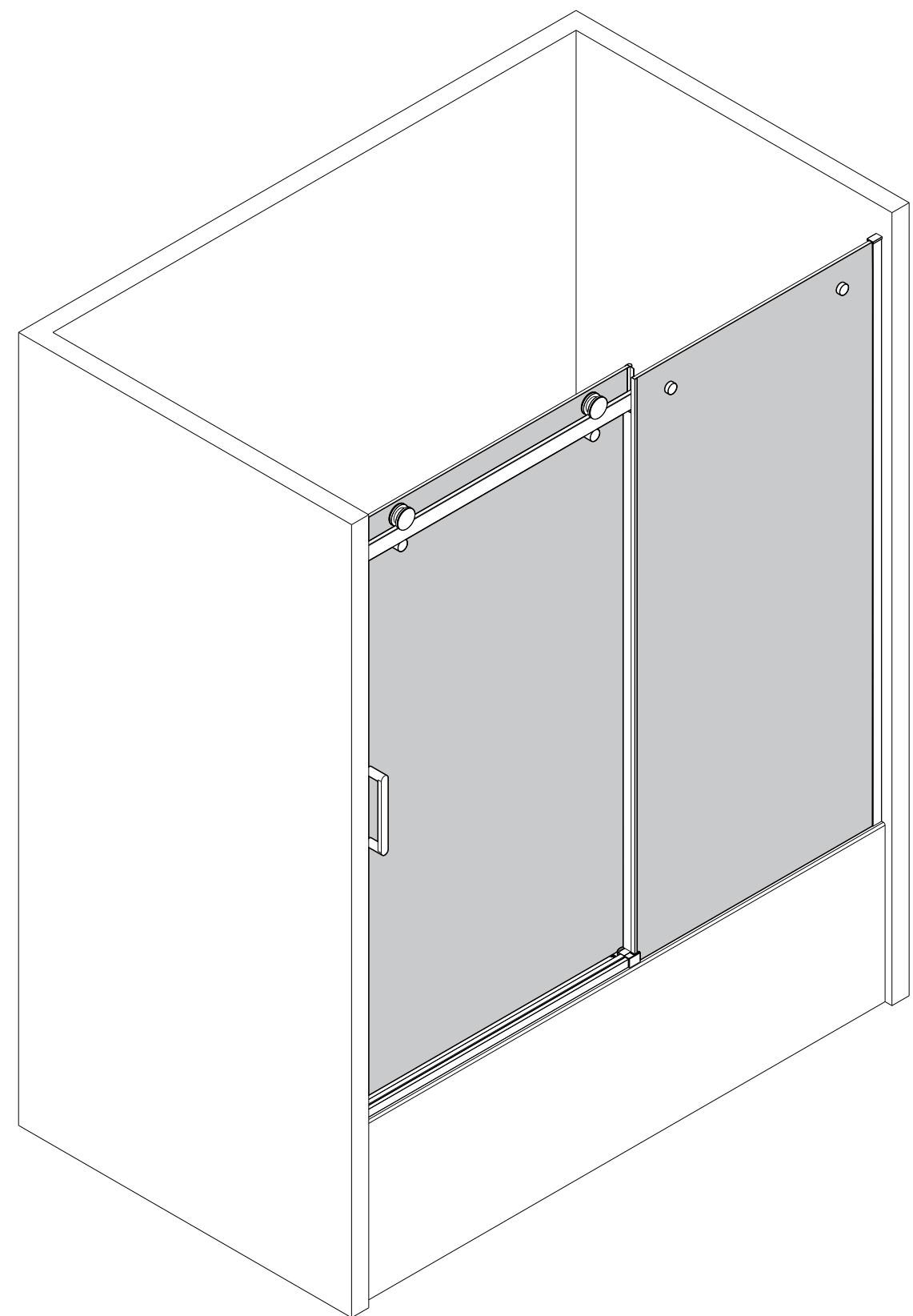
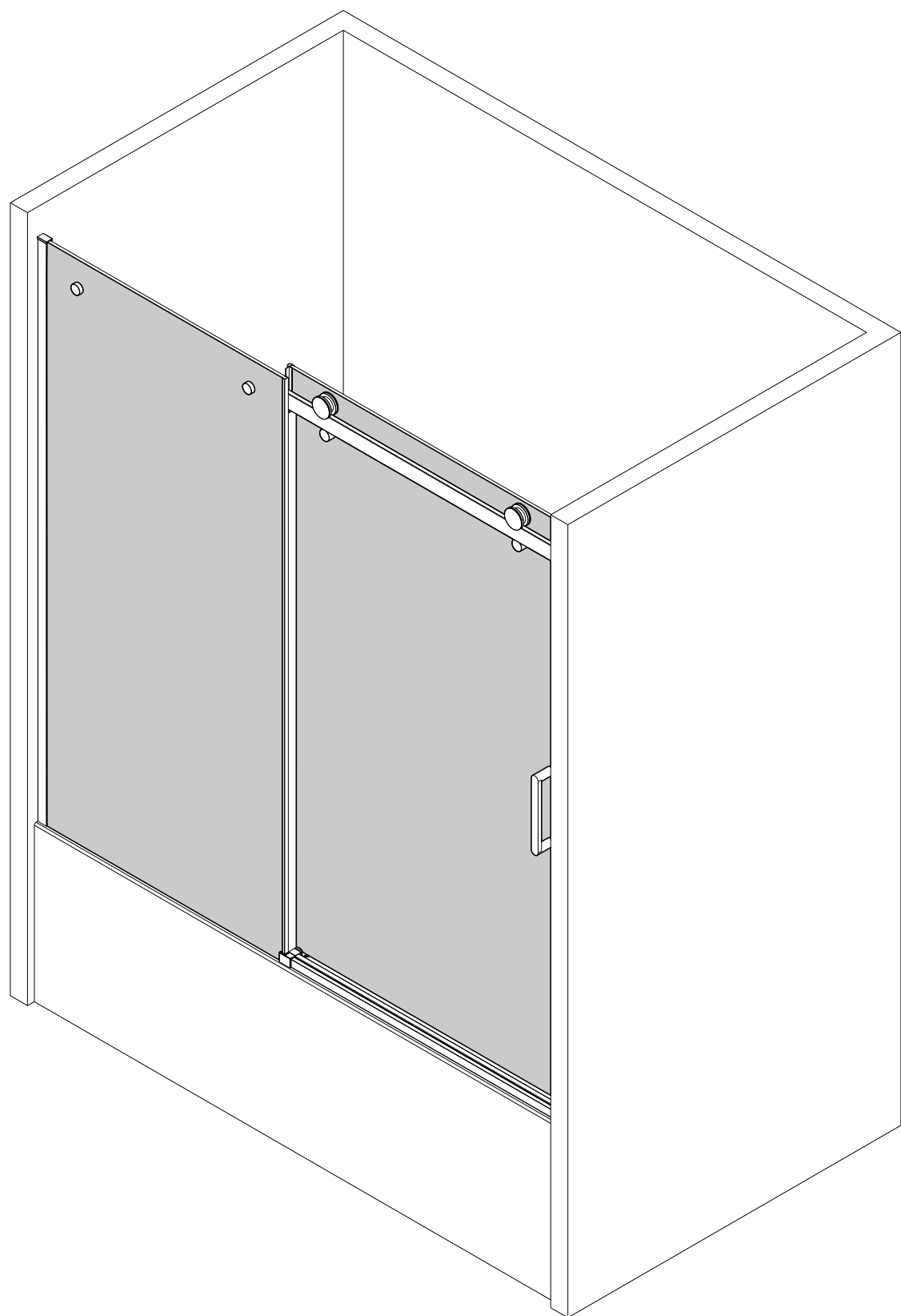


Serial Number: SDS04-22

## Shower Door Installation Instructions



**Reversible for a left or right door installation.**

**Please do not return the product to the store.  
Contact us with any questions.**

# Model Specific Preparation

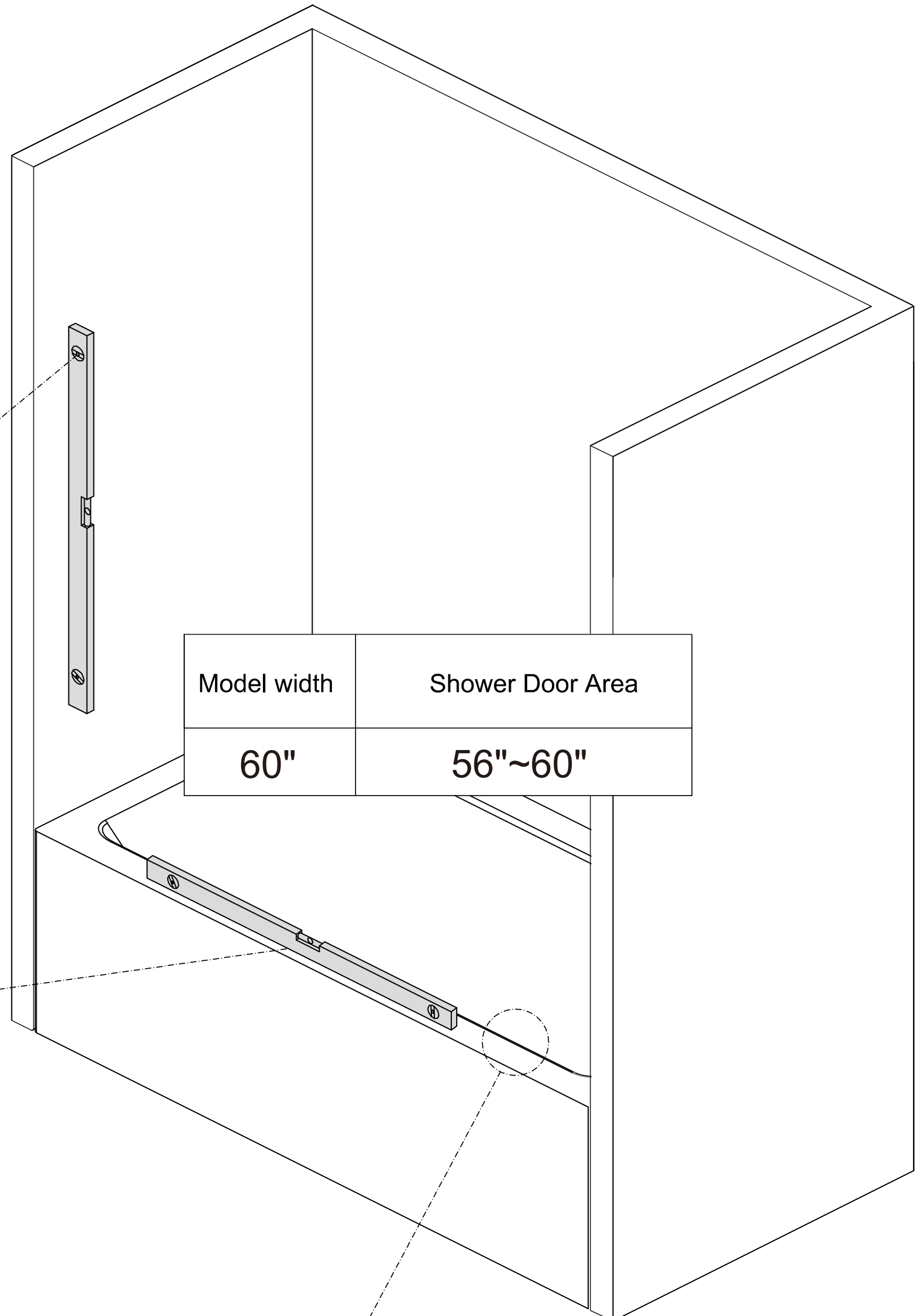
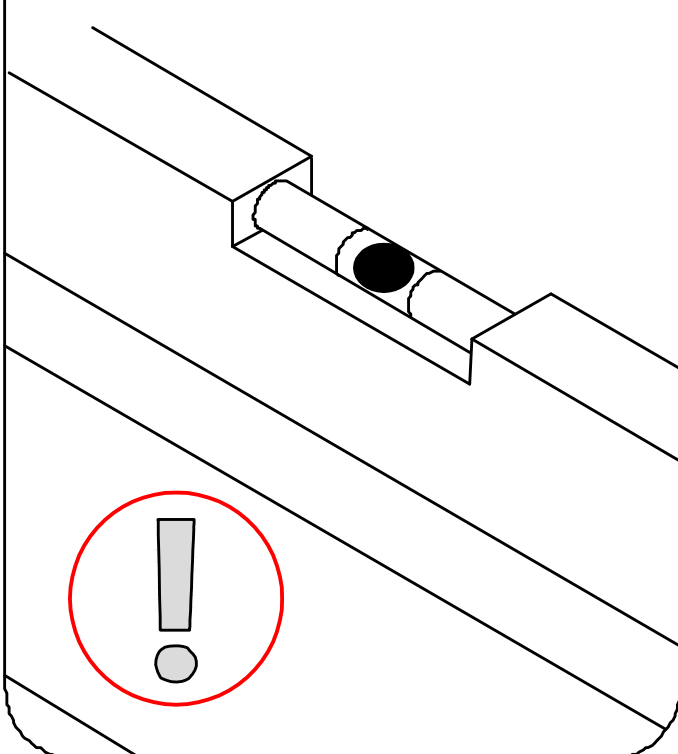


## REQUIRED:

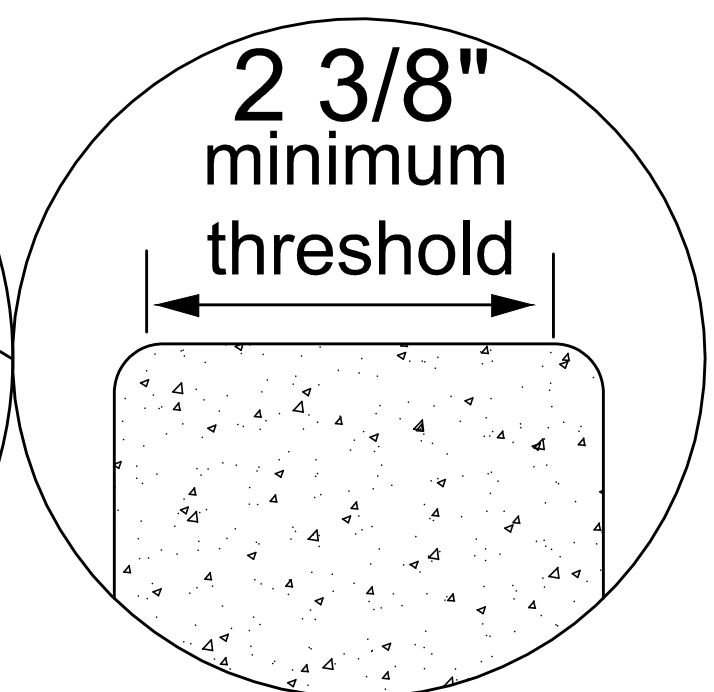
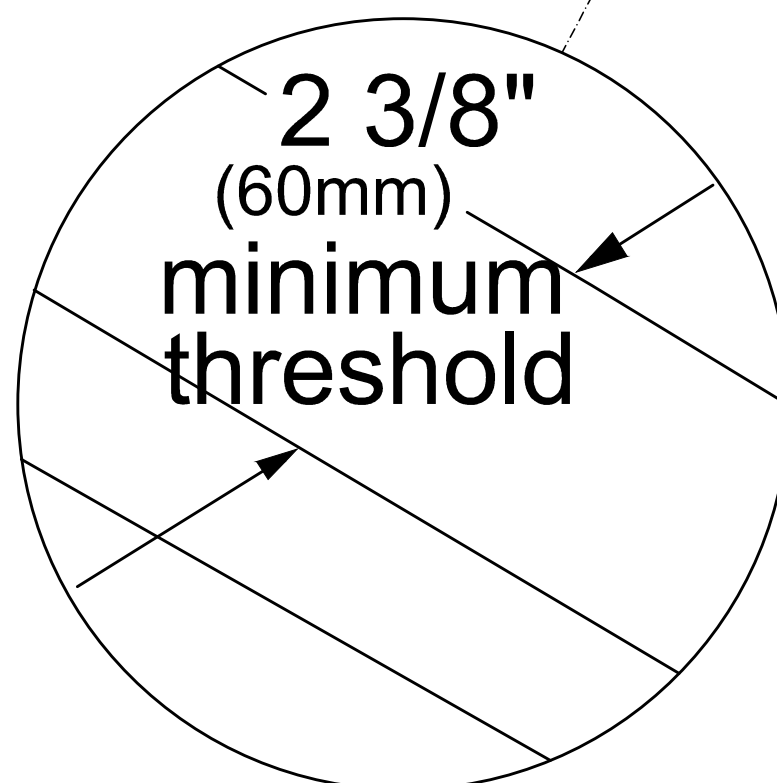
Verify tub deck and walls with a level.

1/4" ( 6mm )  
Out-of-Plumb  
Adjustment within  
the Wall Profile.

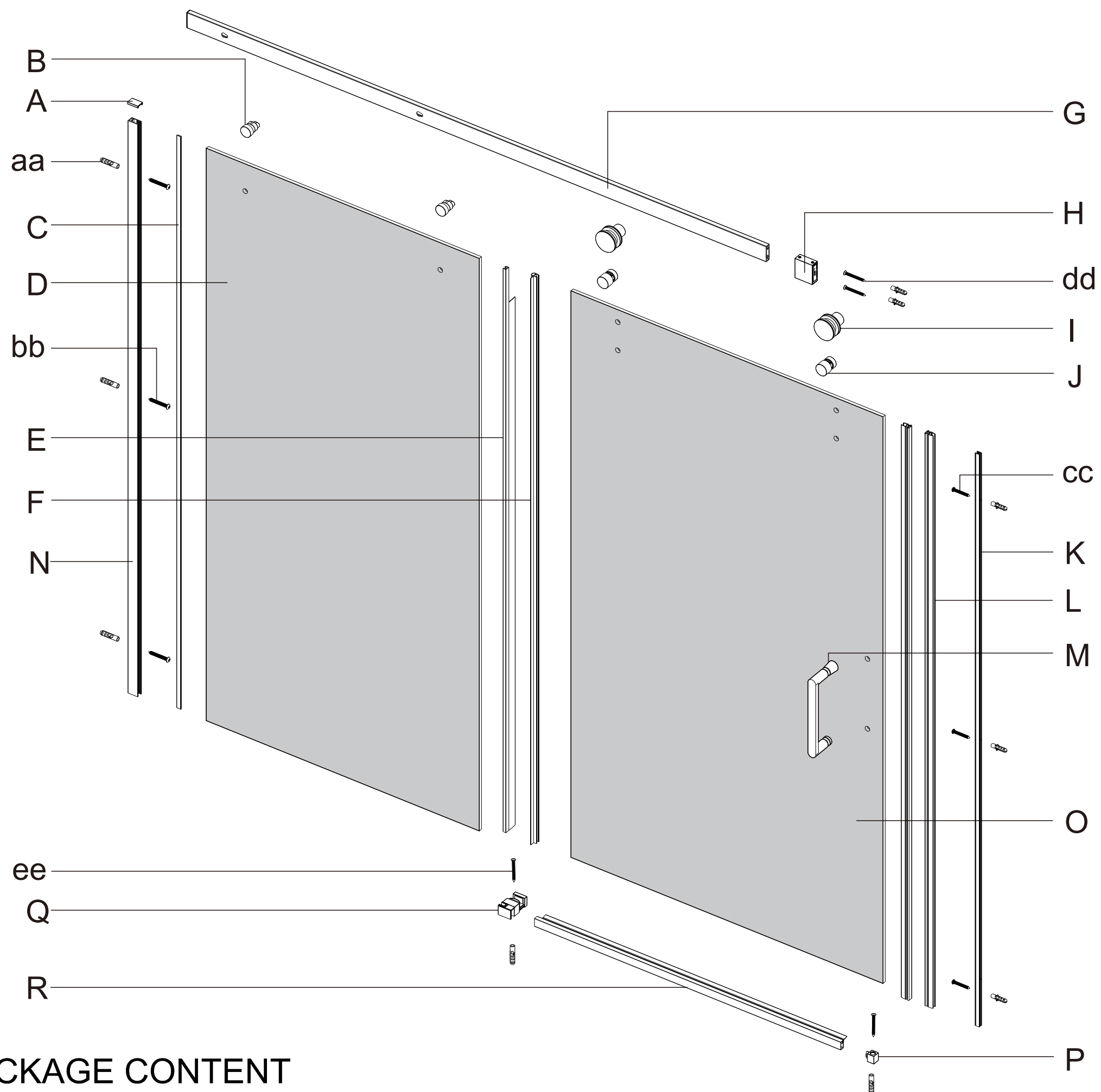
Threshold must be level



Model width	Shower Door Area
60"	56"~60"



## PACKAGE CONTENT



## PACKAGE CONTENT

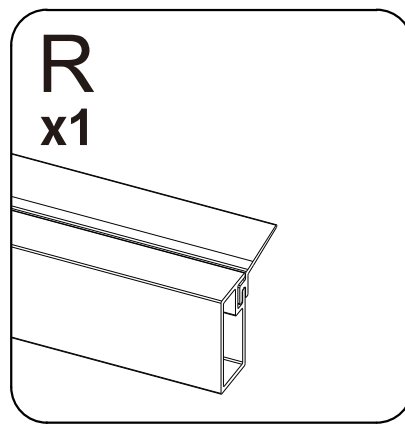
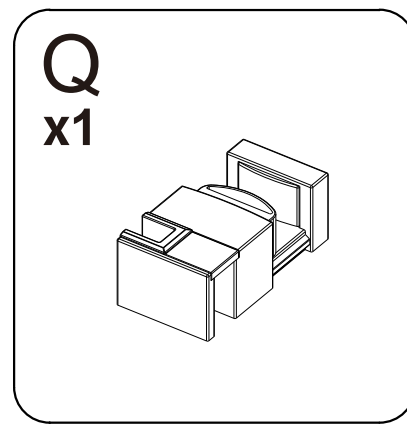
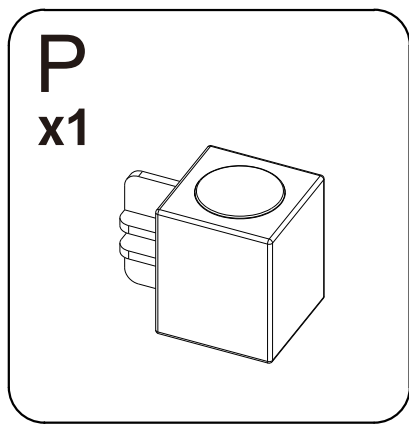
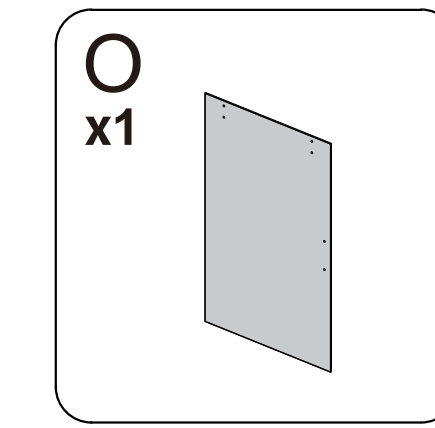
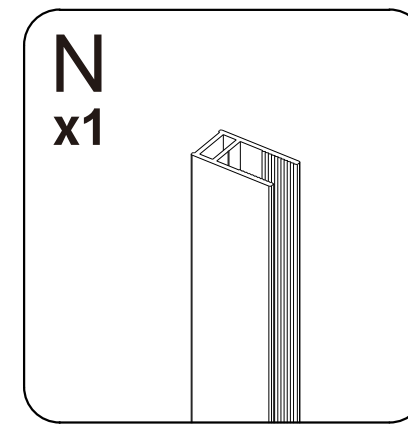
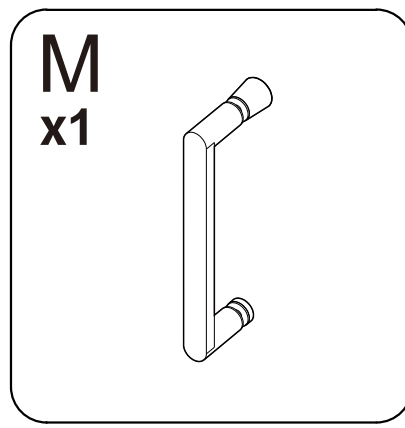
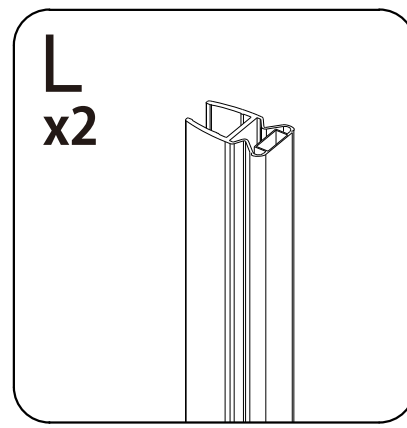
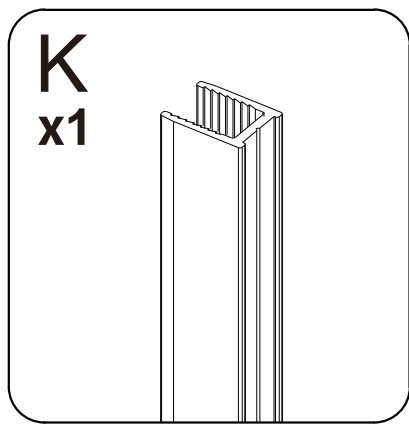
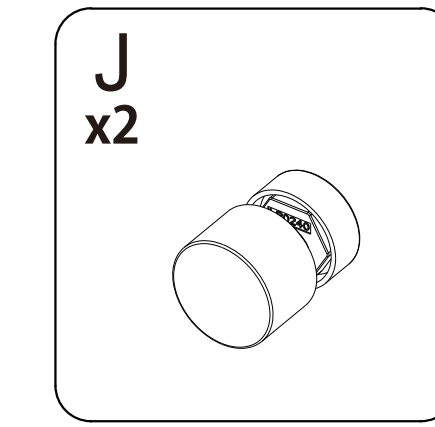
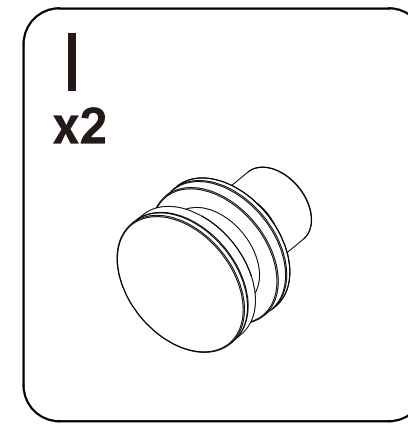
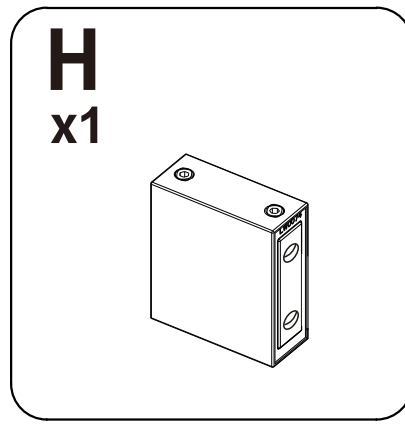
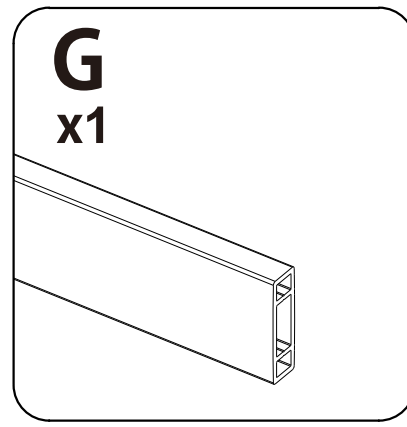
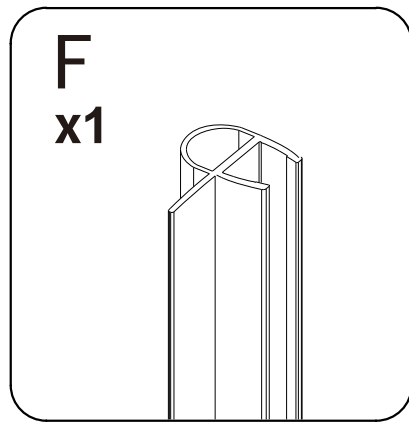
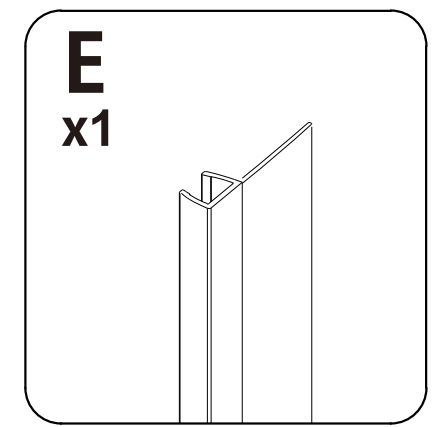
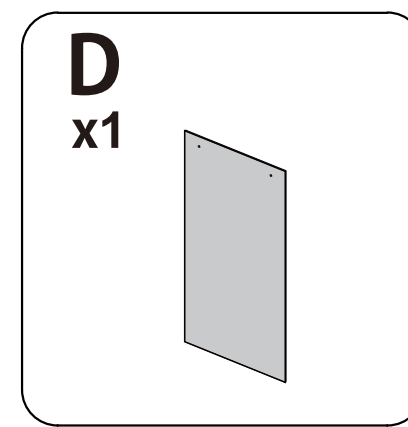
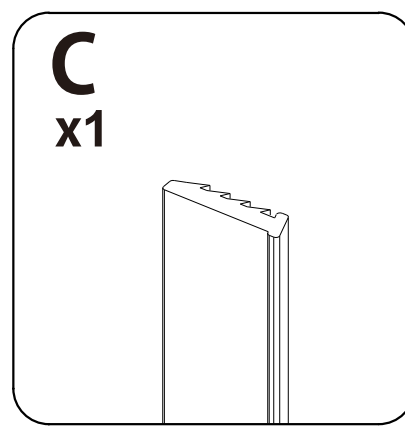
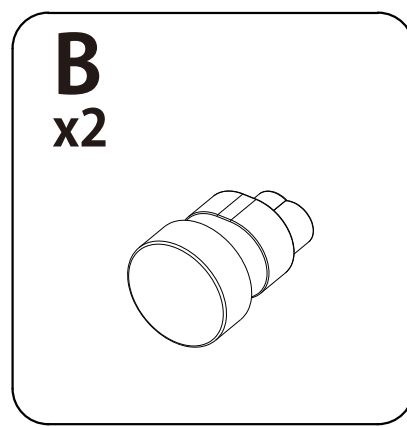
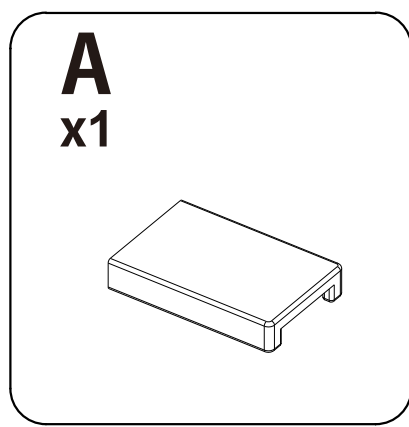
PART#	DESCRIPTION	QTY
A	Wall Jamb cover	1
B	Roller Guard	2
C	Wedge Strip	1
D	Stationary Glass	1
E	Anti-Water Strip	1
F	Anti-Water Strip	1
G	Guide Rail	1
H	Upper wall base	1
I	Roller	2

PART#	DESCRIPTION	QTY
J	Roller Guard	2
K	Wall Jamb	1
L	Magnetic Strip	2
M	Handle	1
N	Wall Jamb	1
O	Glass Door	1
P	End block	1
Q	Guide Block	1
R	Alu. Threshold	1

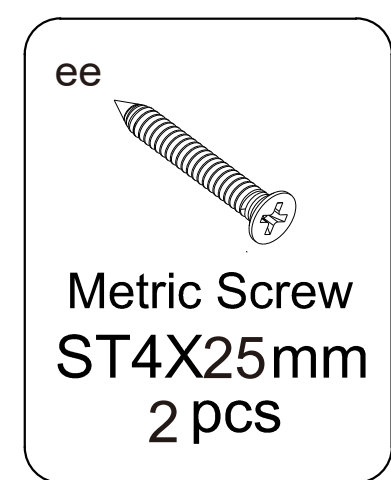
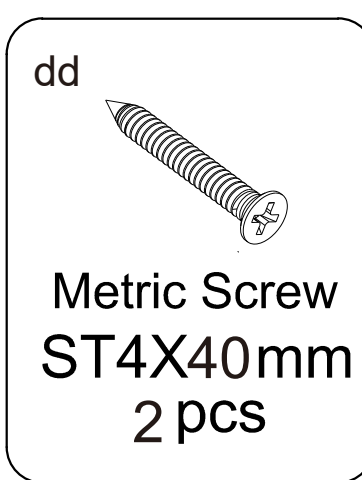
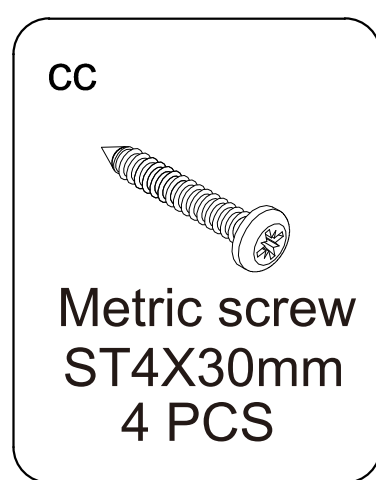
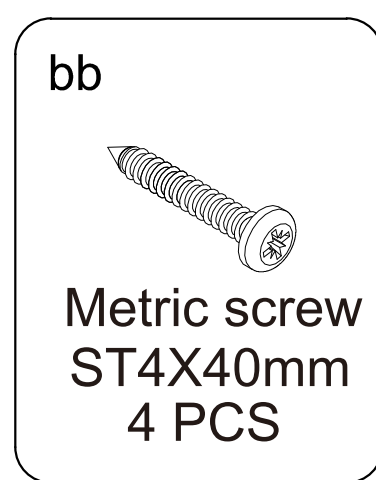
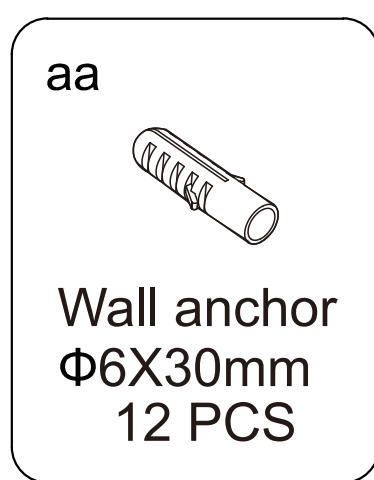
**NOTE**

Inspect all parts for missing prior to installation!  
Contact us for any part missing.

PACKAGE CONTENT



HARDWARE CONTENT



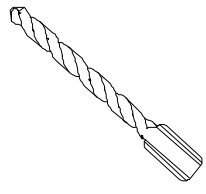
Additional spare parts are included.

NOTE

Inspect all parts for missing prior to installation!  
Contact us for any part missing.

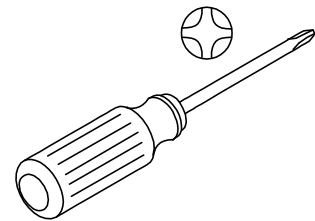
TOOLS REQUIRED

Drill Bits

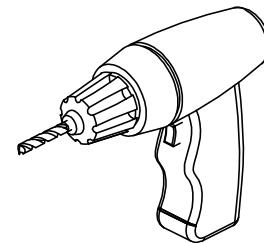


Ø1/8" & Ø1/4" (3&6mm) dia.  
HSS

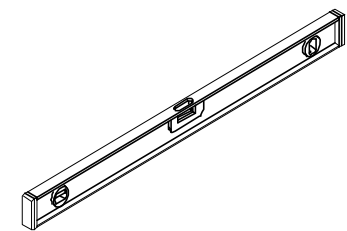
Phillips screw driver



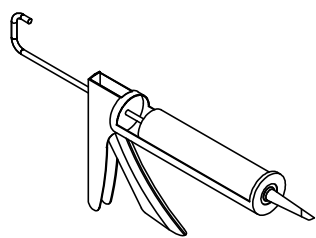
Electric hand drill



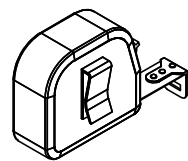
Level



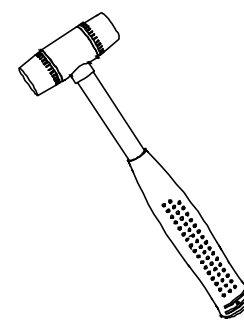
Silicone gun



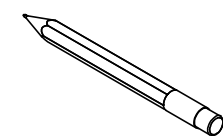
Measuring Tape



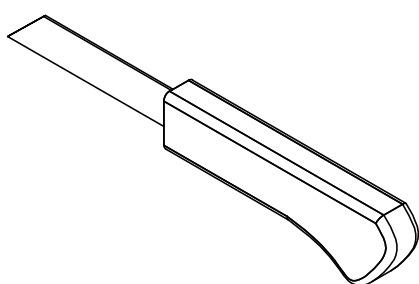
Soft Head Hammer



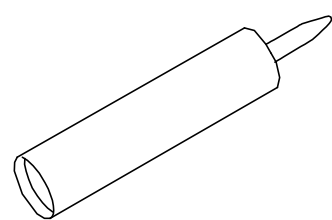
Marking Pencil



Utility Knife



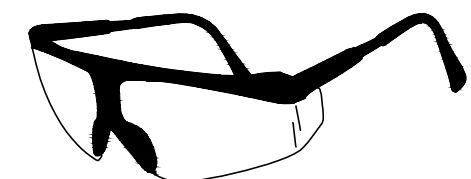
Sealant



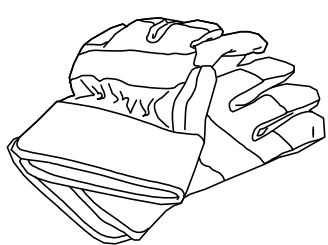
MASONRY DRILL BIT FOR TILE  
Ø6mm



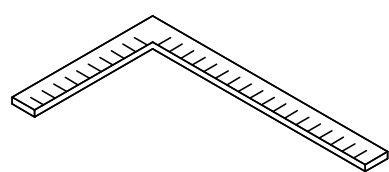
Safety Glasses



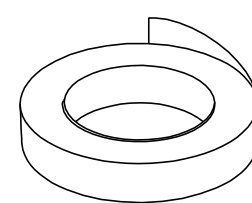
Glove



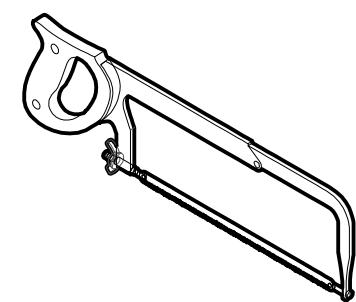
Carpenter's Squarer



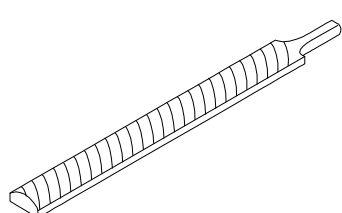
Masking or painter's tape



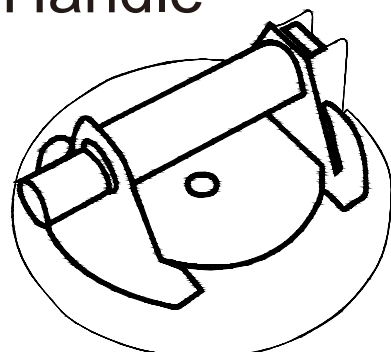
Hack Saw



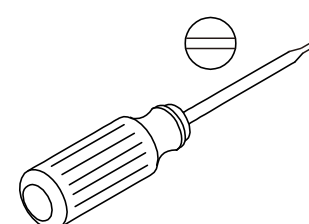
Metal File



Glass suction Handle



Flat head screwdriver



## SAFETY INFORMATION

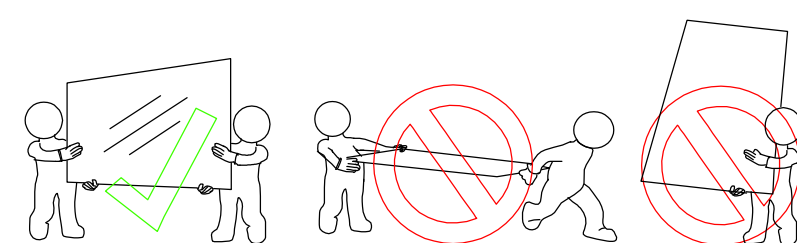
### CAUTION

Please carefully read the following important safety information before handling or installing this shower door . There is a risk of serious injury while handling this product.

To minimize these risks, please note:

- Always wear safety glasses and gloves while handling.
- Always follow the installation instructions.
- Inspect glass for damage before installation.
- Extreme caution should be taken while handling the glass during installation as the tempered glass may shatter if in contact with a hard surface.
- Do not cut or modify the tempered glass as it will shatter if cut.
- Carefully remove product from packaging and keep packaging until installation is complete.
- Inspect all parts for damage or missing; if there is damage or part missing to the unit prior to installation, please contact customer service at the number provided in this guide.
- Cover the drain with tape to prevent the loss of small parts.
- The shower base and finished walls should be installed before beginning the shower door installation.
- During the installation,protect the shower floor with a drop cloth to avoid damage.
- This product should be installed by two people who are familiar with construction requirements.Professional installation is recommended!
- Keep this installation manual for future reference.

**NOTE:** Two people should perform this installaton.



## 1 Measure the finished opening width.

NOTE

1. Measure the finished opening width at the bottom and at the model height. Use these dimensions as "W1" (top).
2. Also check the threshold for level and the walls for plumb. (Fig 1)

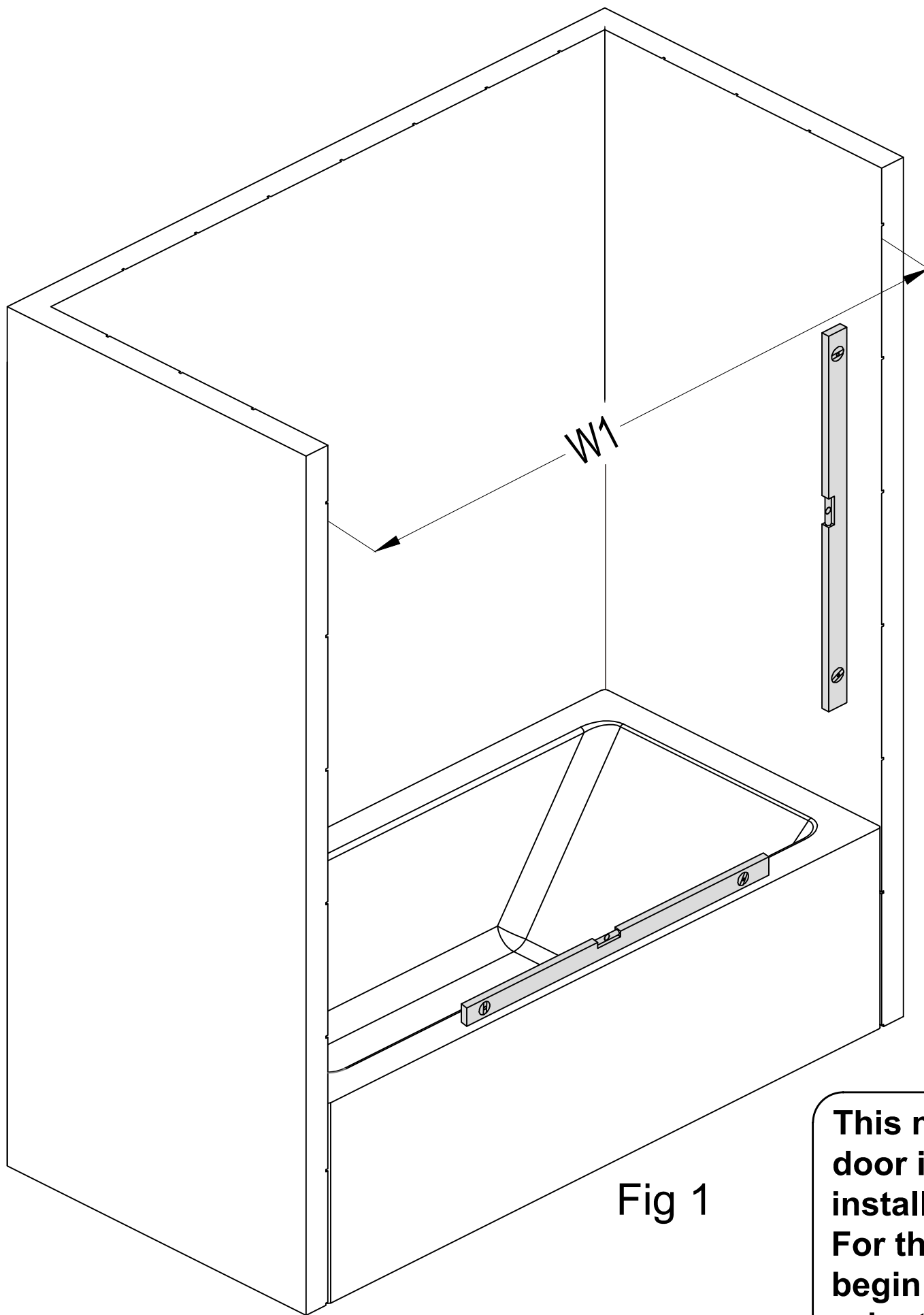
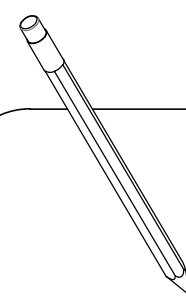


Fig 1

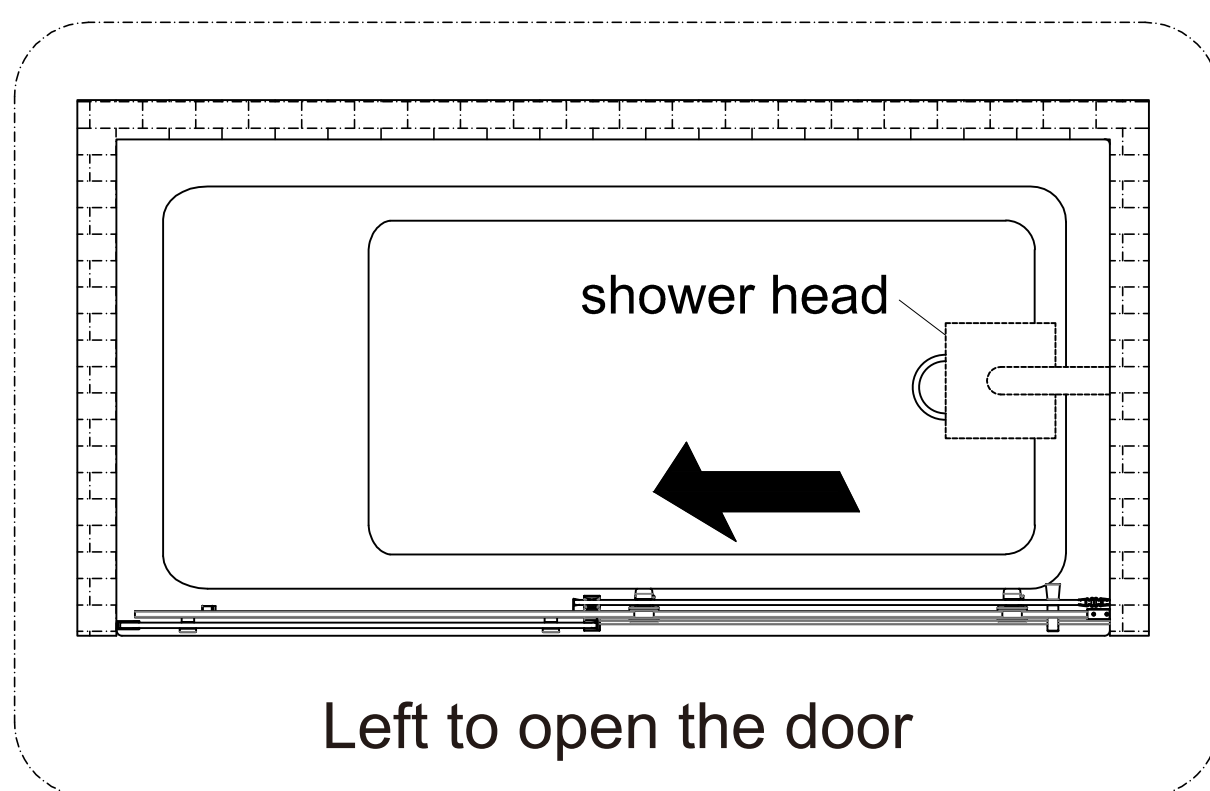
This model will only accommodate up to 1/4" (6mm) for out-of-plumb condition.



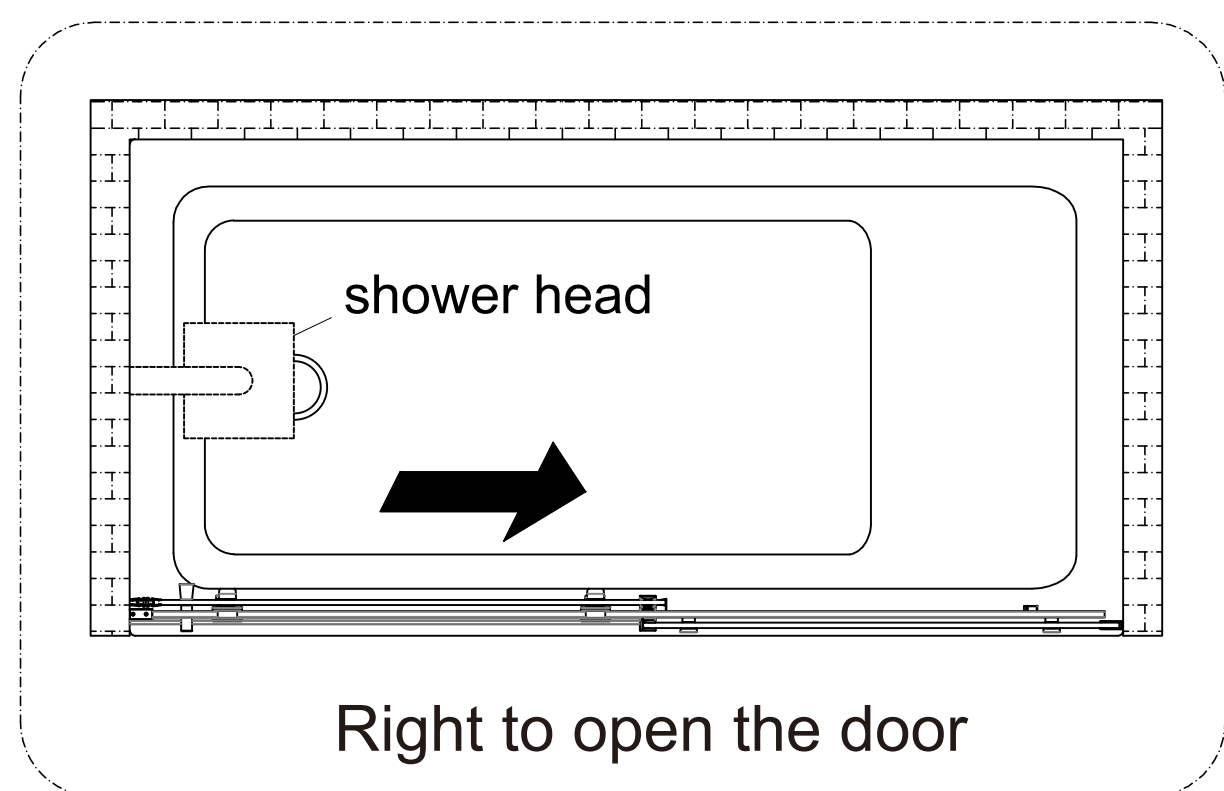
Finished opening top (W1)

NOTE

This model is reversible for right or left-hand door installation. The left-hand door installation is shown throughout this manual. For the right-hand door installation, simply begin on the opposite wall and reverse the orientation of the installation steps shown.



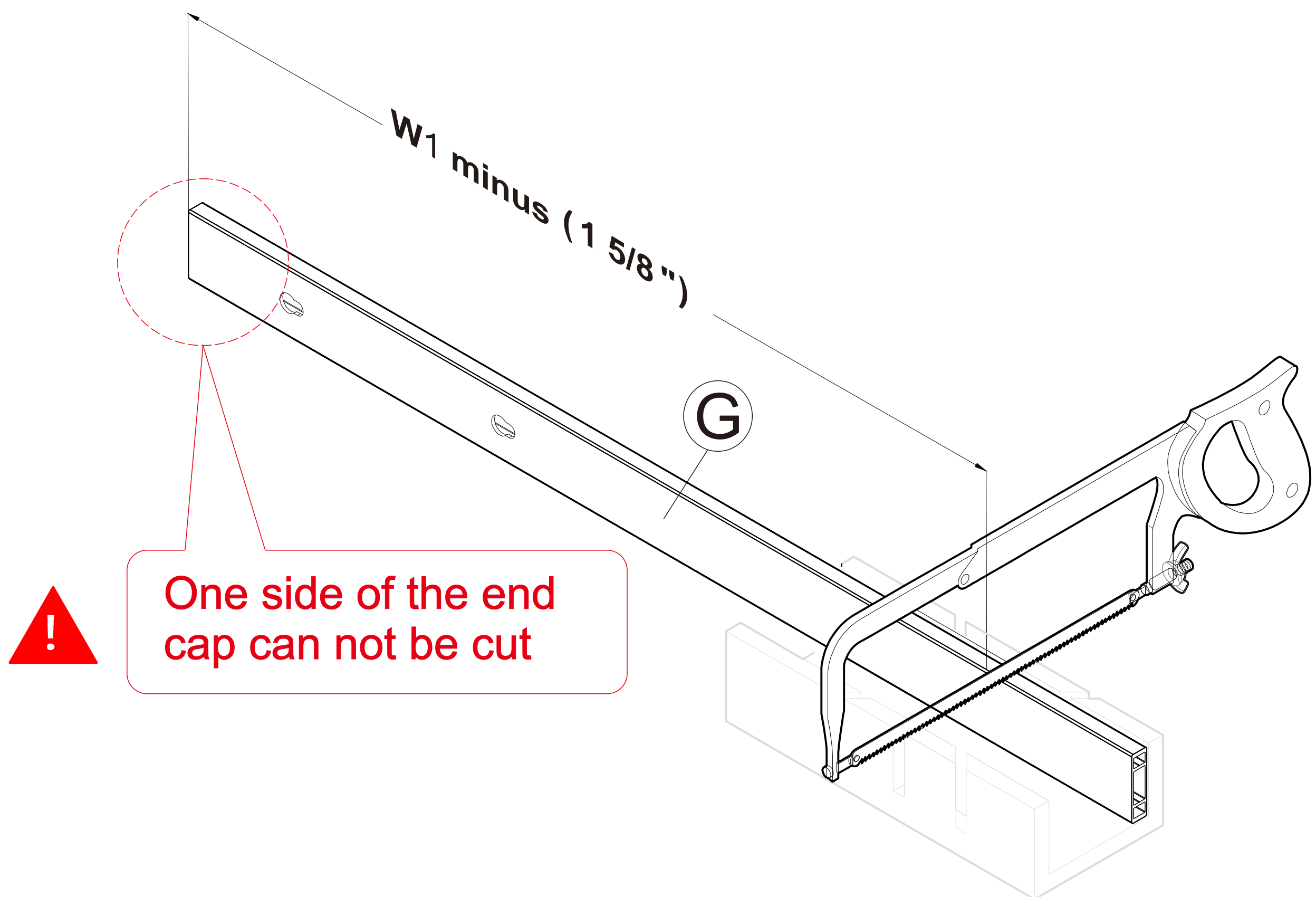
Left to open the door



Right to open the door

**2** Cut the **Guide Rail (G)** to fit your finished opening using either a miter saw or a hacksaw

**NOTE** Cut the **Guide Rail (G)** to: W1 minus (1 5/8")

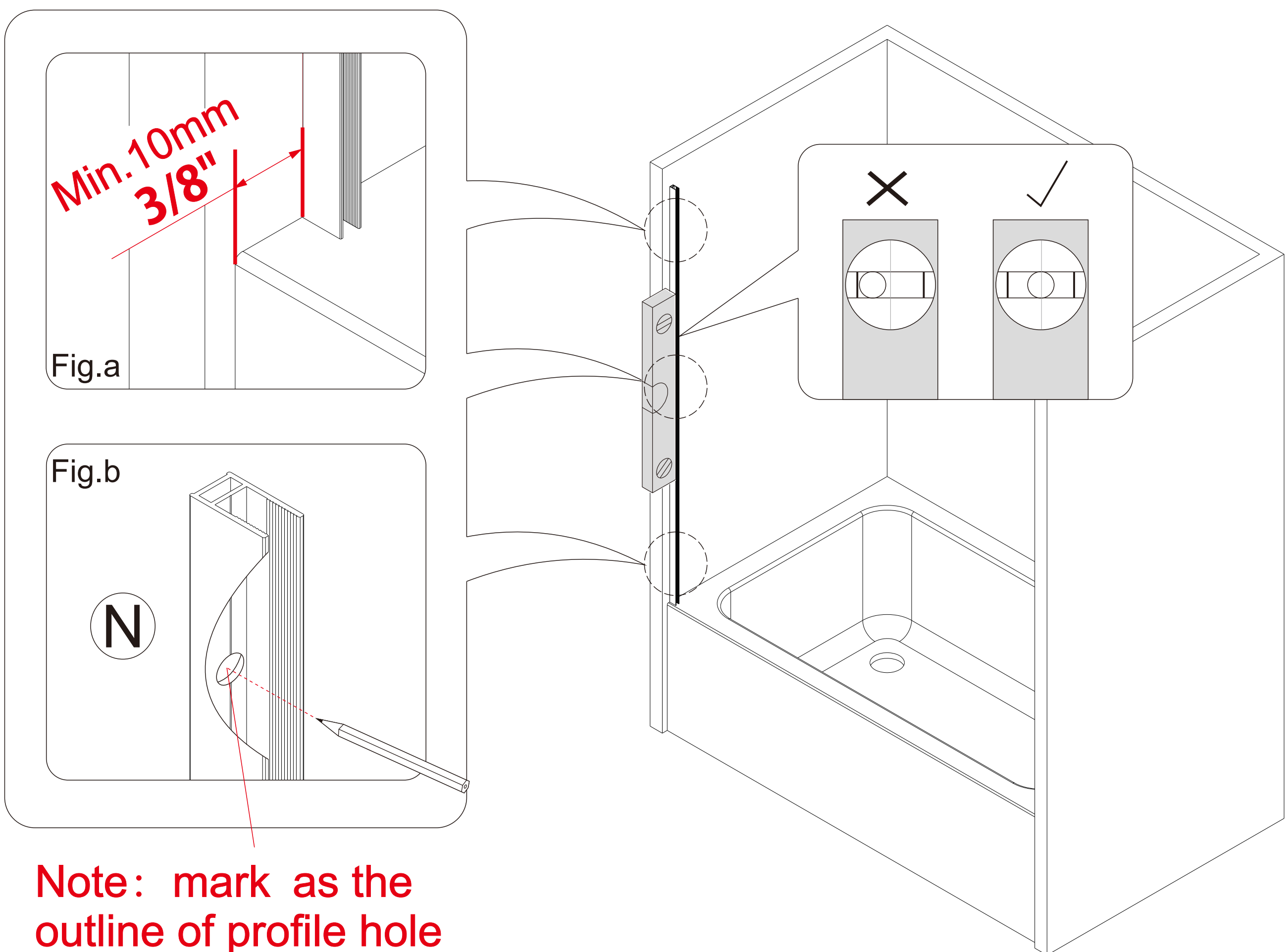




**3-1** Drill screw holes for **Wall Jamb(N)** and insert in the **Wall Anchor(aa)**.

NOTE

1. Determine your starting point from the edge of bathtub ( 3/8" (10mm) is recommended) and mark the position as Fig.a .
2. Once the **Wall Jamb(N)** are vertical, mark the holes with a pencil as Fig.b .



Note: mark as the outline of profile hole

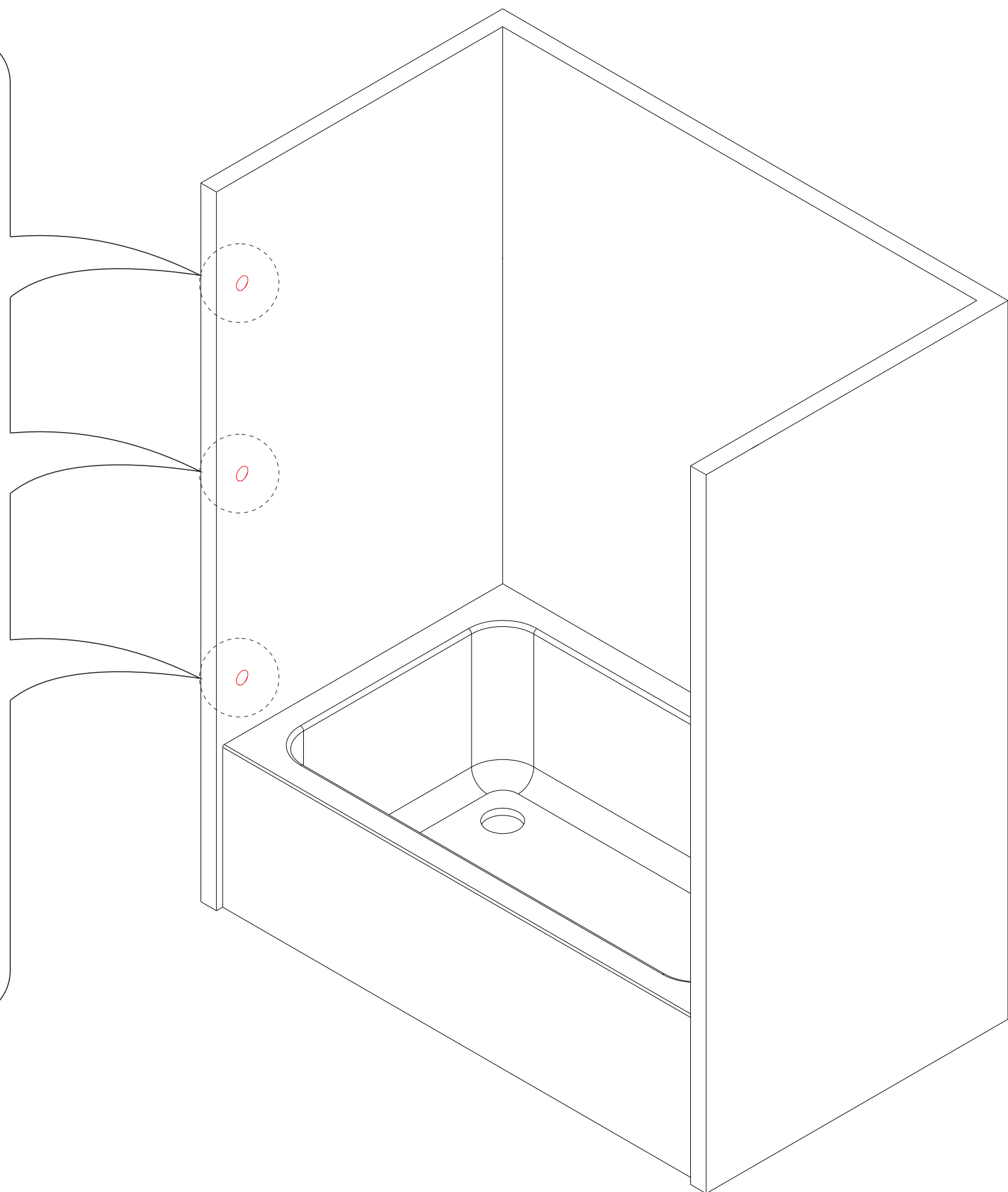
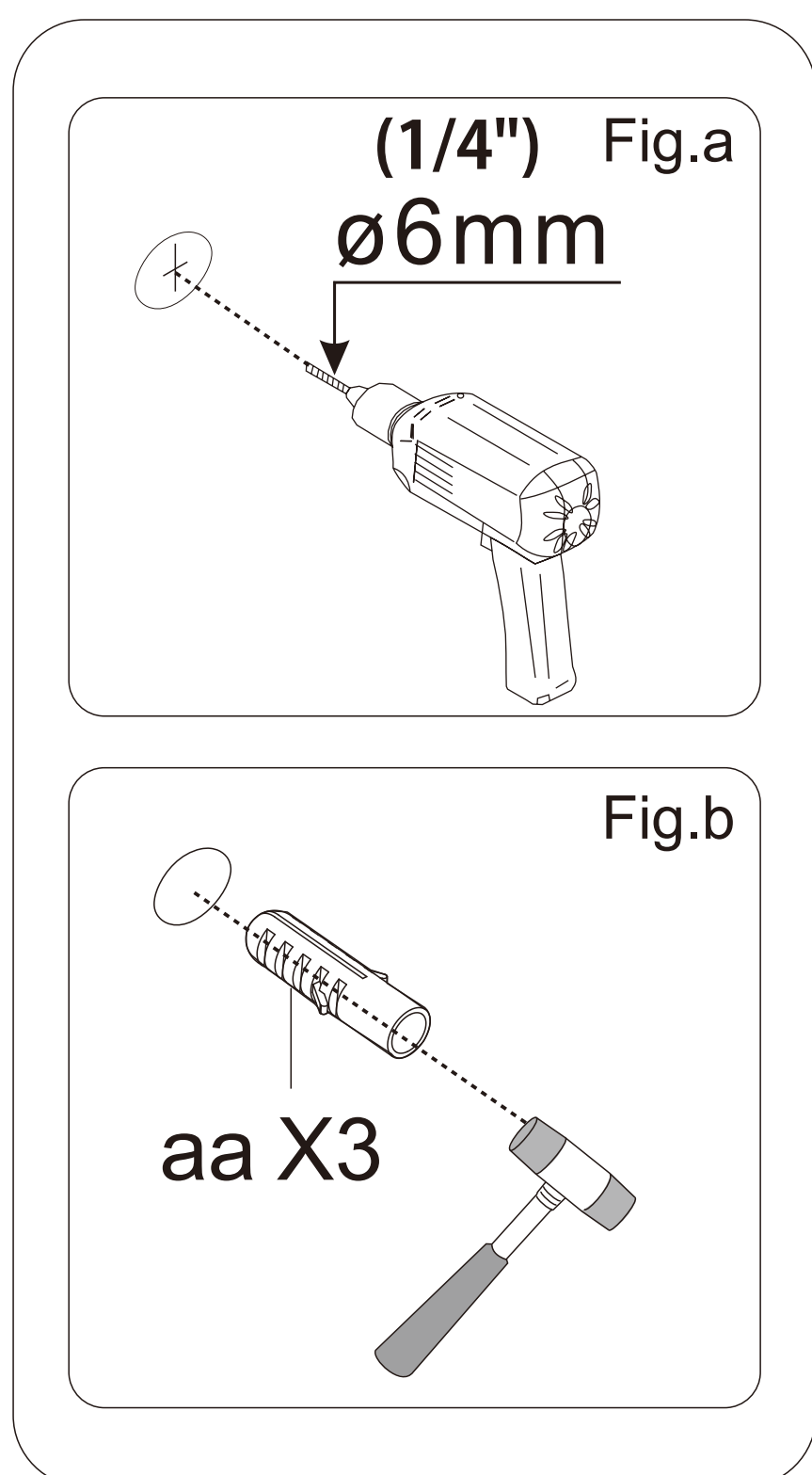


Note: The shower door can be installed left or right, according to the need to determine the installation direction.

**3-2** Install **Wall Anchor(aa)**

NOTE

1. Drill holes with  $\Phi 6\text{mm}$ (1/4") drill bit as Fig.a.
2. Insert the **Wall Anchors(aa)** as Fig.b.



NOTE

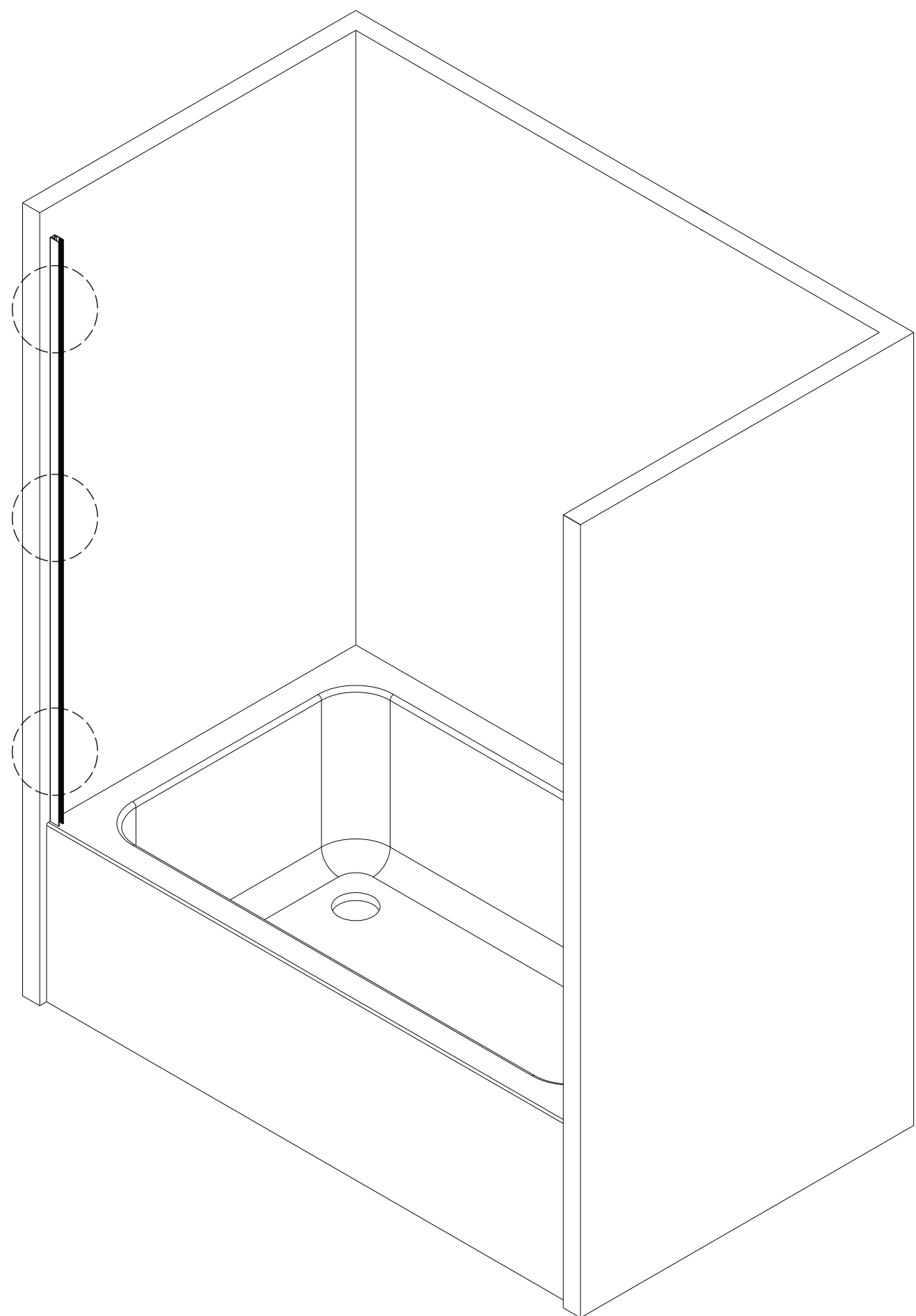
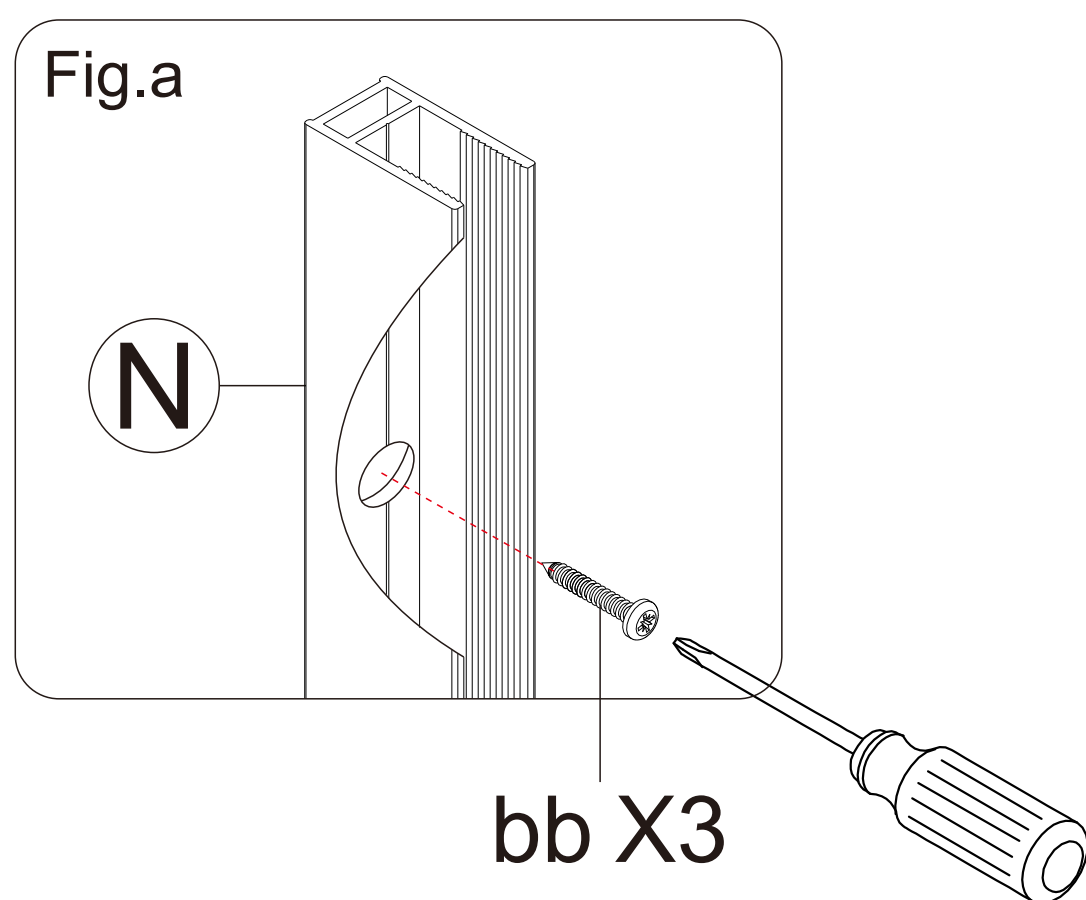
- If a Stud is present behind the wall:  
drill  $\Phi 1/8"$ (3mm) pilot holes into the stud and use the ST4.0x40mm **Screws(bb)**  
OR
- If NO Stud is present behind the wall:  
drill  $\Phi 1/4"$ (6mm) holes and insert the **Wall Anchors(aa)**  
and use the ST4.0x40mm **Screws(bb)**.



**Note: The shower door can be installed left or right, according to the need to determine the installation direction.**

**4** Install **Wall Jamb(N)**

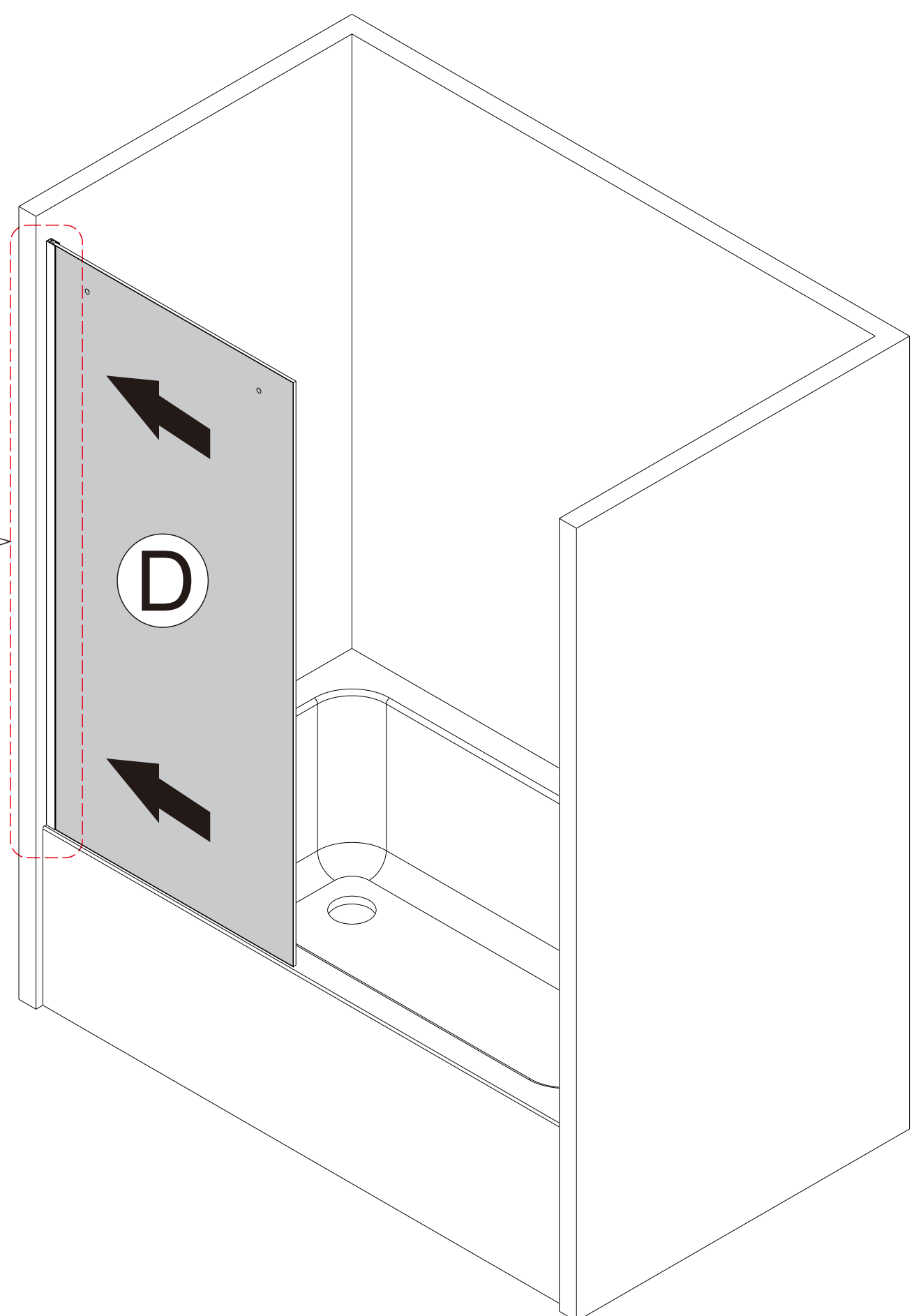
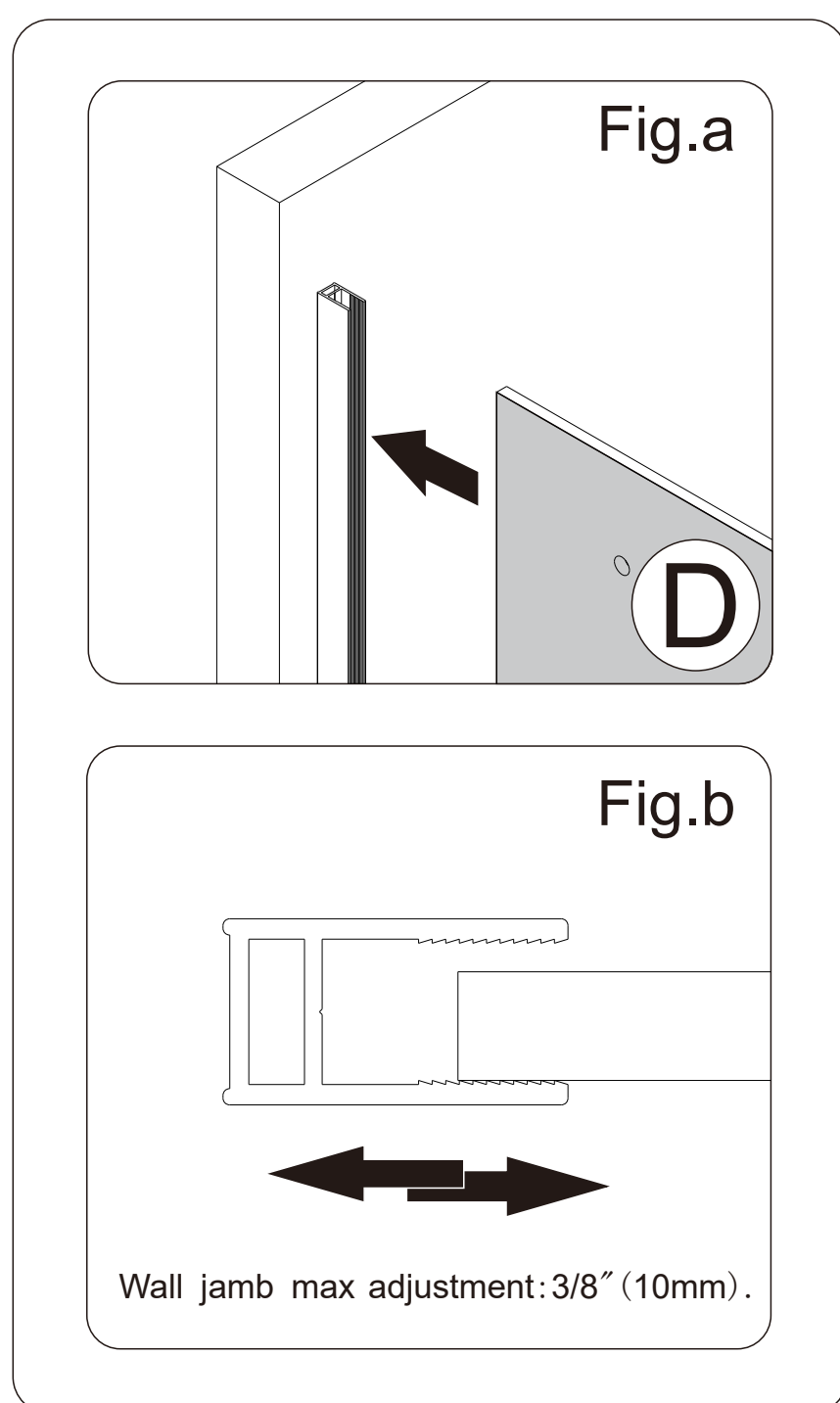
**NOTE** 1. Fix **Wall Jamb(N)** with **Screw(bb)** as Fig.a .



**Note:** The shower door can be installed left or right, according to the need to determine the installation direction.

**5** Install **Stationary Glass(D)**.

**NOTE** 1.Insert the **Stationary Glass (D)** to the **Wall Jamb(N)**, the max adjustment is 3/8"(10mm) as Fig.a and Fig.b .



**Note:** The shower door can be installed left or right, according to the need to determine the installation direction.



**CAUTION:** Do not put glass directly on the ground

## 6 Install Wedge Strip(C)

NOTE

1. spray water on the **Stationary Glass(D)** and the slot of **Wall Jamb(N)** as Fig.a.
2. Insert in the **Wedge Strip(C)** Using the given Wedge strip install tool to press the **Wedge strip(C)** and Fit it place as Fig.b .

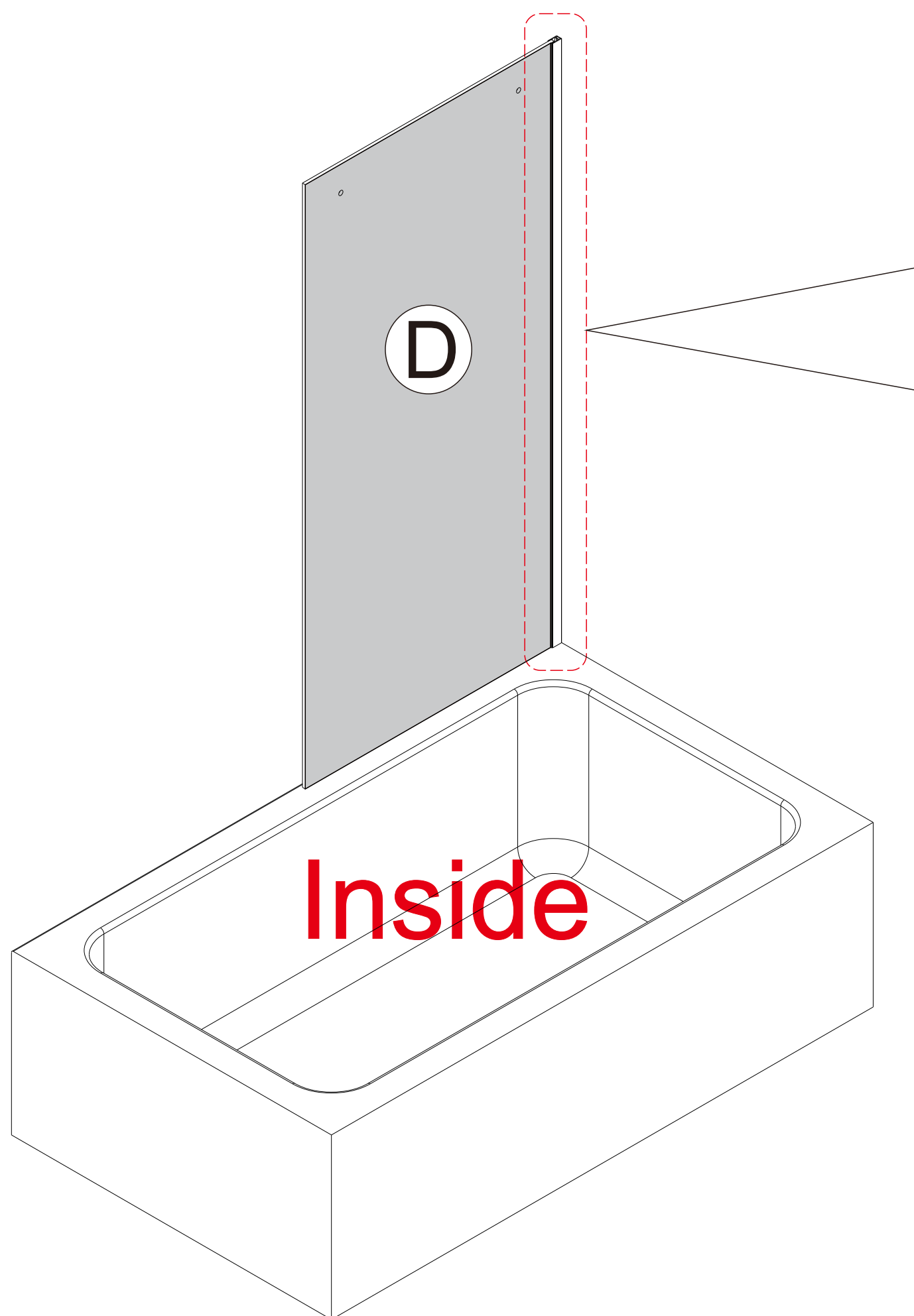


Fig.a

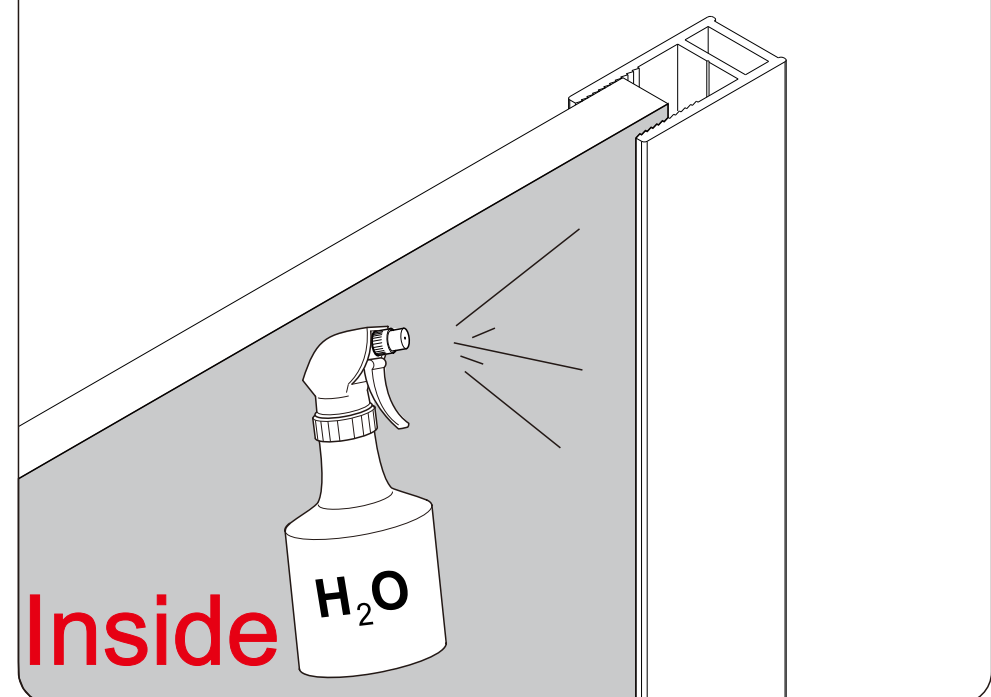
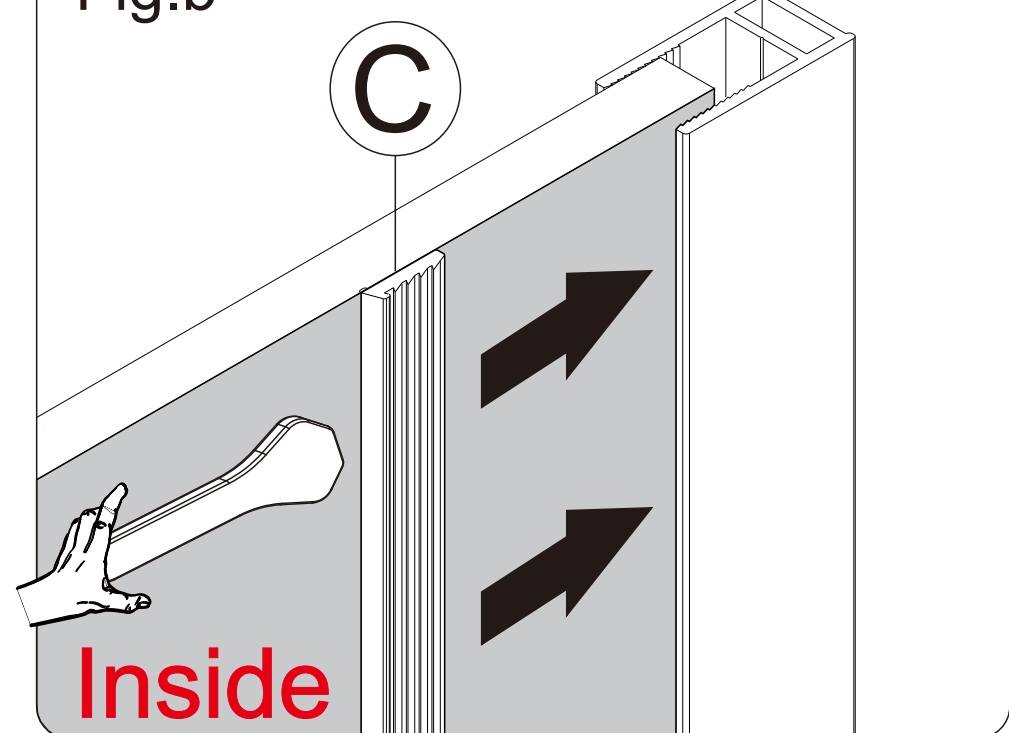
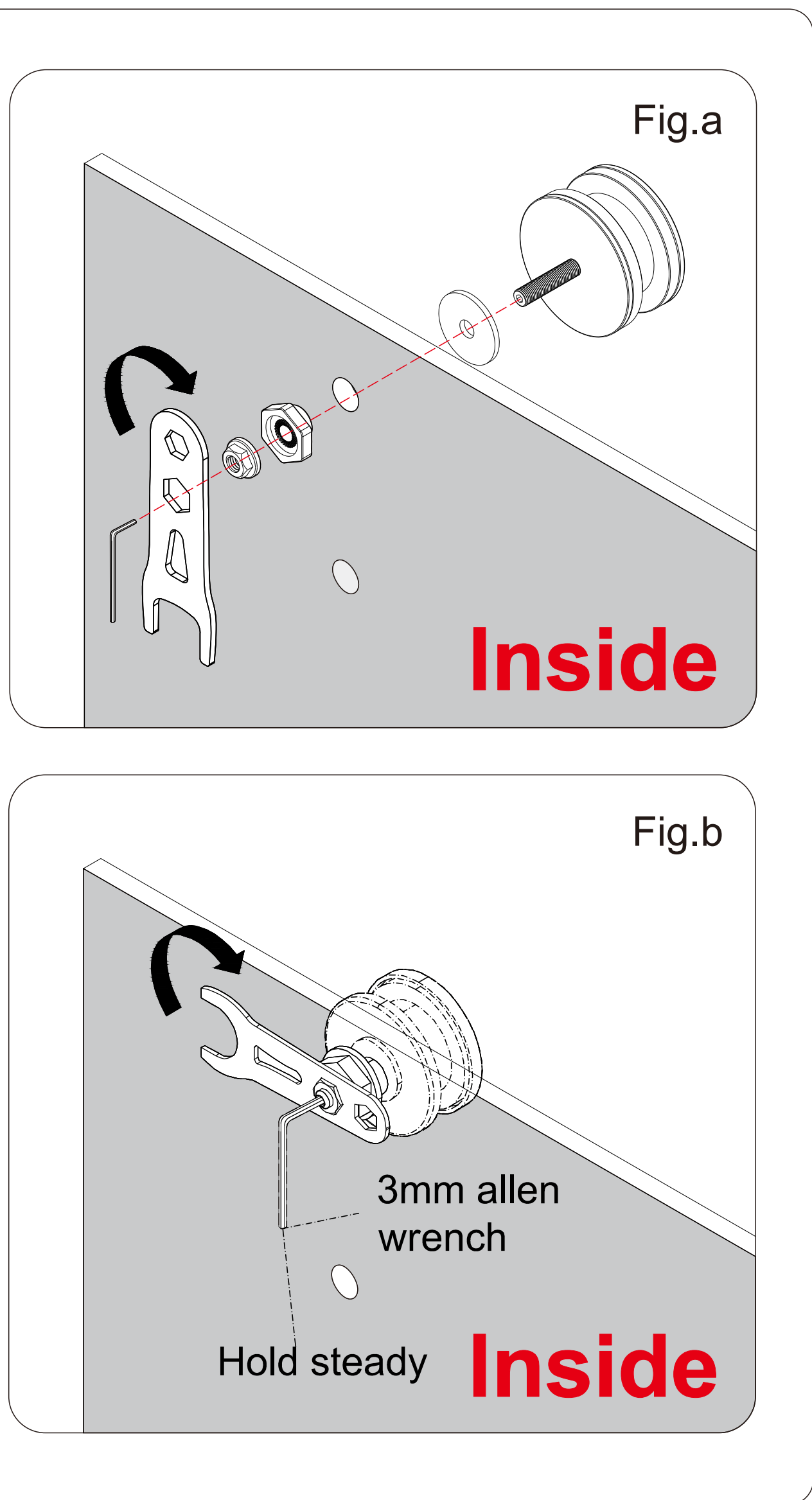
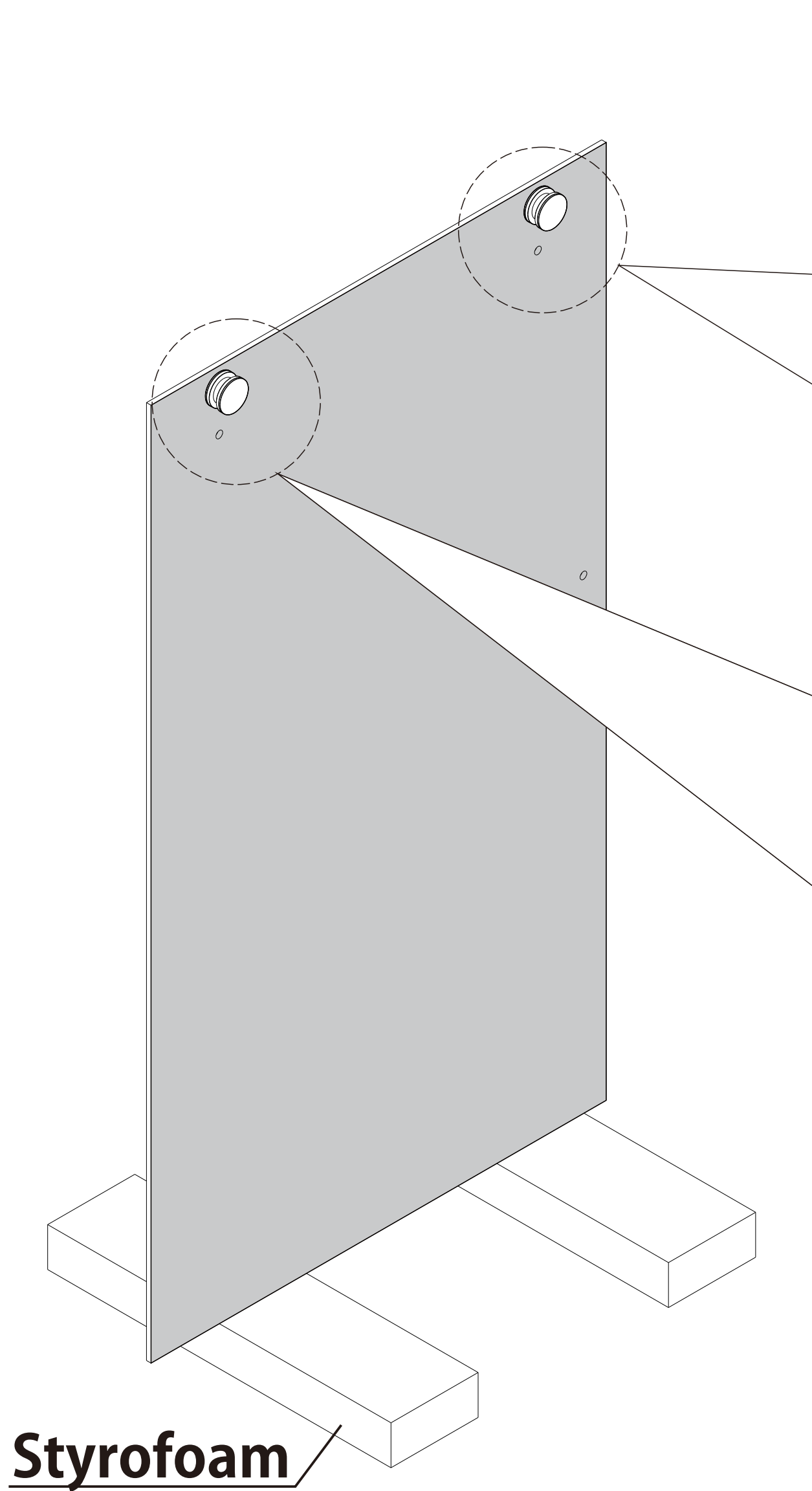


Fig.b



**7** Install Roller(I)

**NOTE** 1. Install the **Roller(I)** on the **Glass Door(O)** and faces outside as Fig.a and Fig.b .

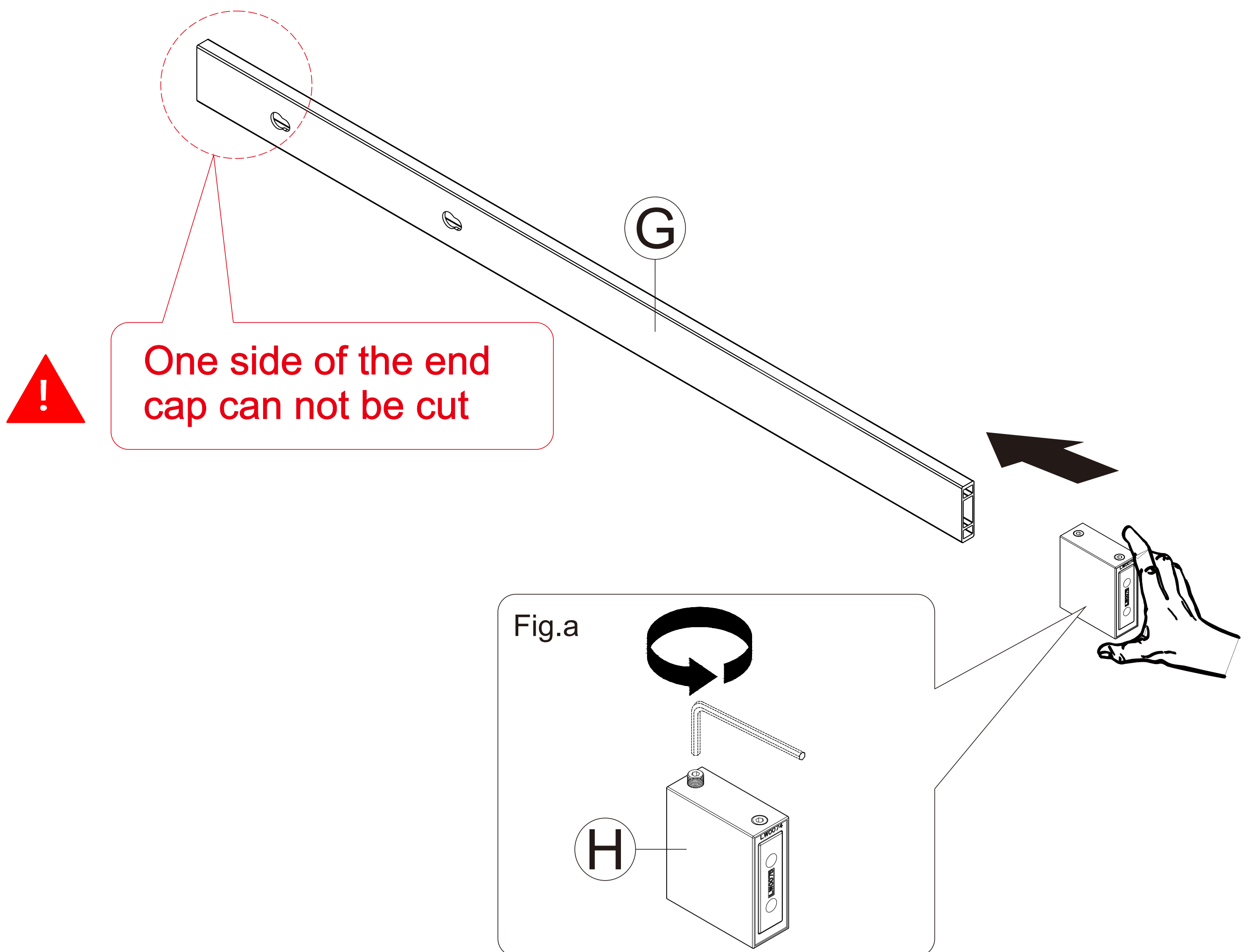


**CAUTION:** Do not put glass directly on the ground

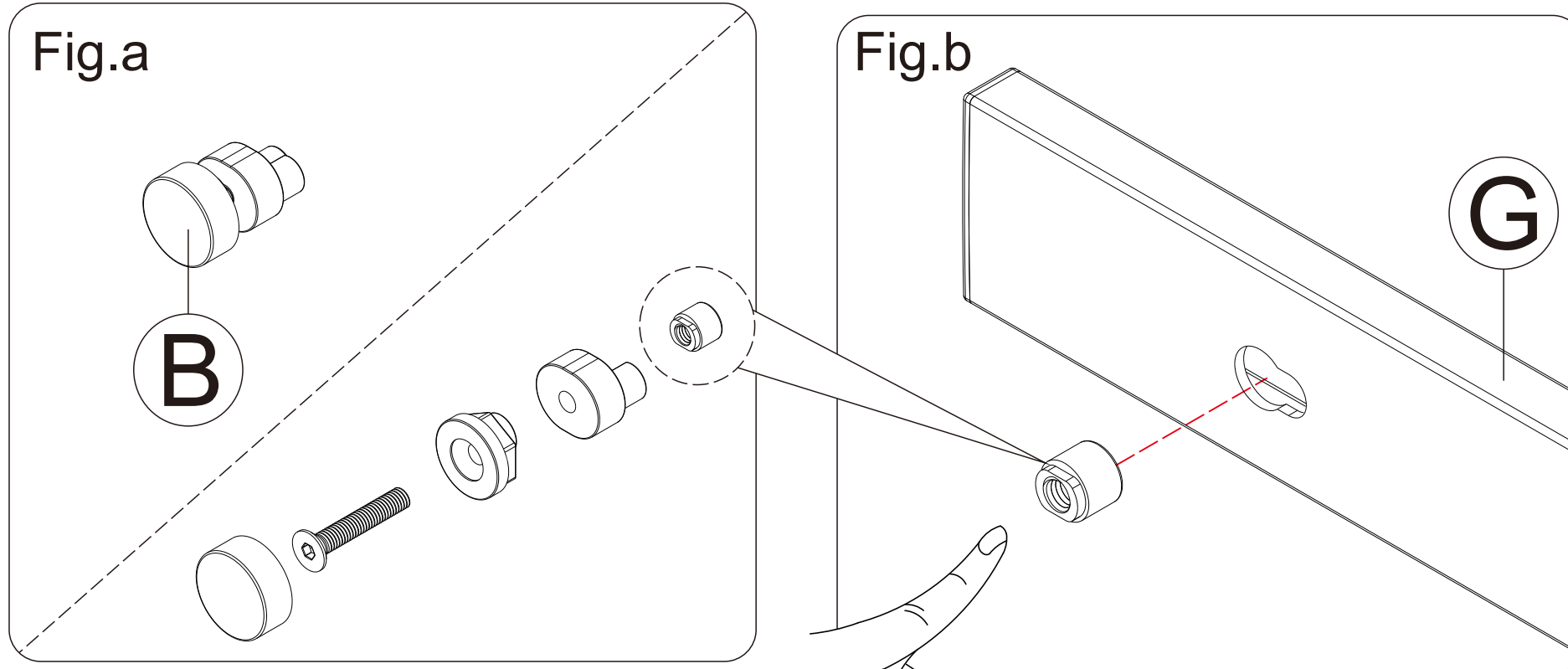
**8** Insert **Upper wall base (H)** to **Guide Rail (G)**

NOTE

Loosen the nail with a hex wrench and install the **Upper wall base (H)** on the **Guide Rail (G)** as Fig.a .

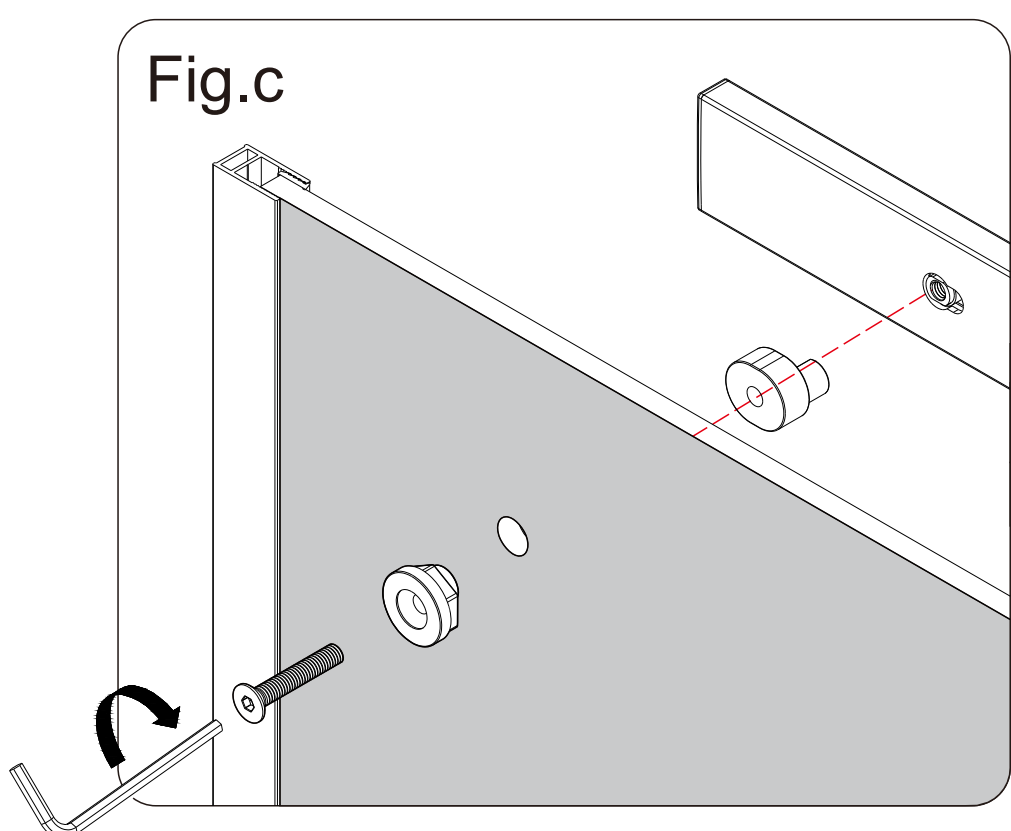


**9** Install **Guide Rail(G)**

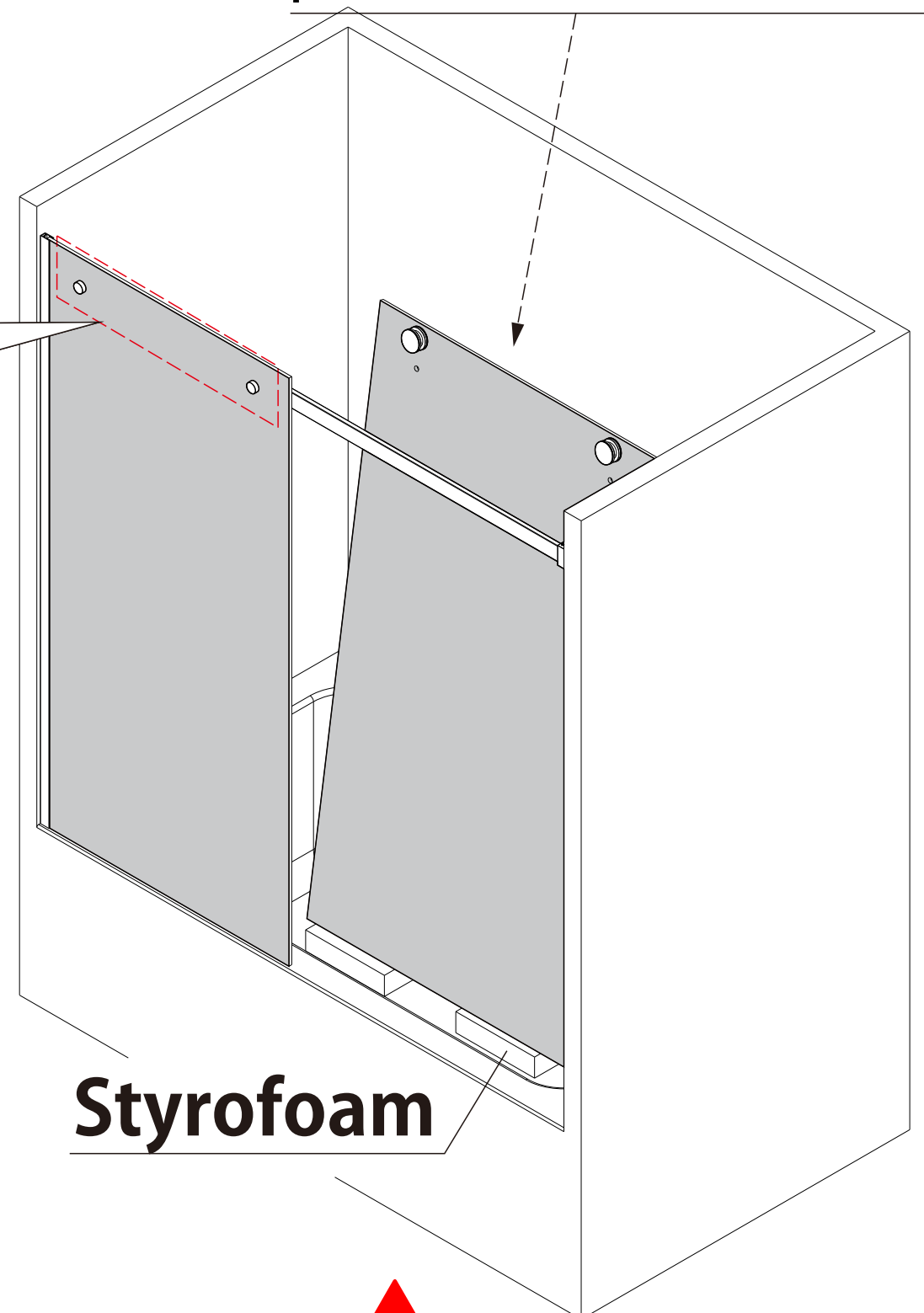


**NOTE**

Put **Glass Door (O)** inside the shower place before install the **Guide Rail(G)**, and the Roller faces outside.



Lay the glass on a soft padded surface!



**Styrofoam**



**CAUTION: Do not put glass directly on the ground**

**NOTE**

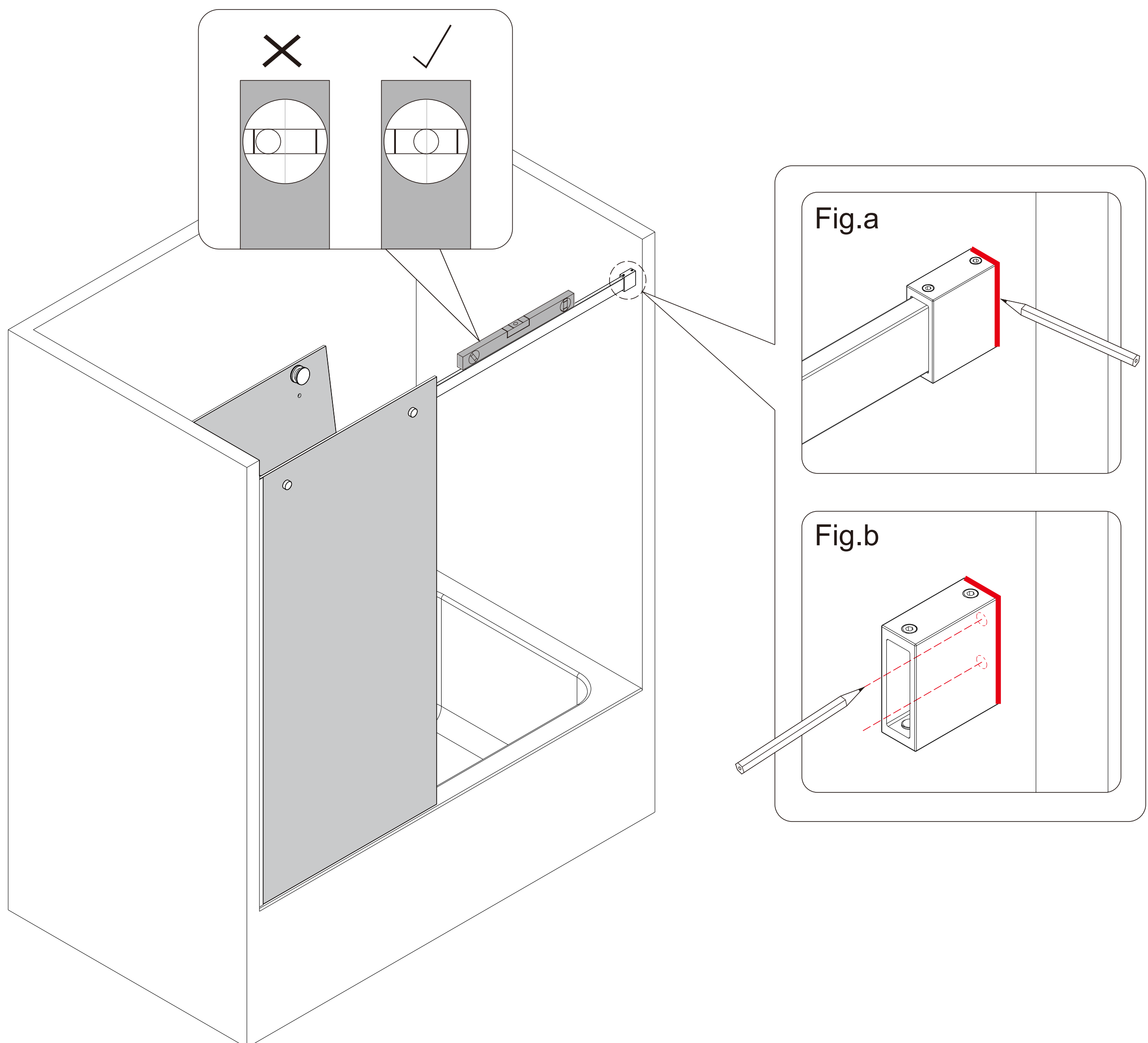
Attach the Guide Rail (G) to the inside of the **Stationary Glass(D)** with the **Glass clips(B)** as shown in Fig.a、 Fig.b and Fig.c Use provided Allen wrench to hand tighten. **IMPORTANT:** Ensure all washers and bushings are installed as shown.



# 10 Mark the location of the **Upper Wall Base(H)**

NOTE

1. Make sure that the **Guide Rail(G)** is parallel and mark the position of the **Upper Wall Base(H)** with a pencil as Fig.a .
2. Remove the **Guide Rail(G)**, place the **Upper Wall Base(H)** in the marked position, and mark the hole of the **Upper Wall Base(H)** as Fig.b .

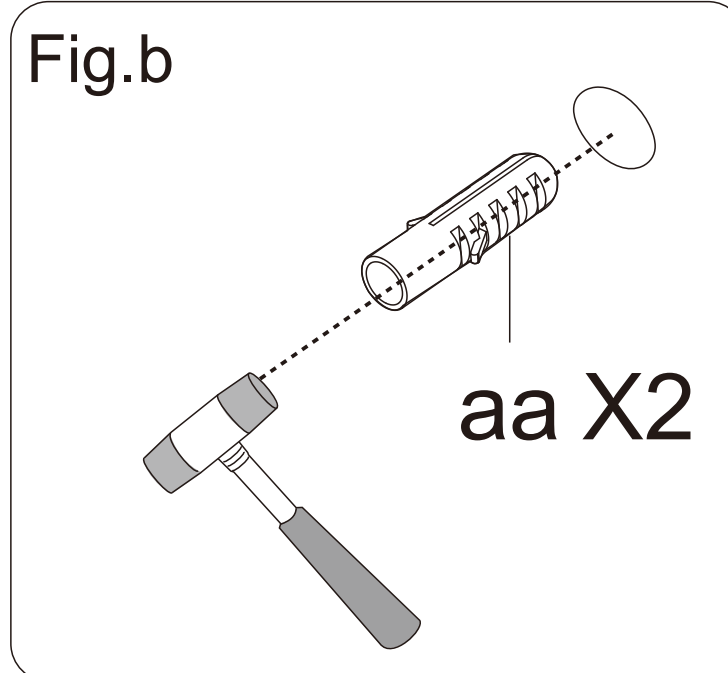
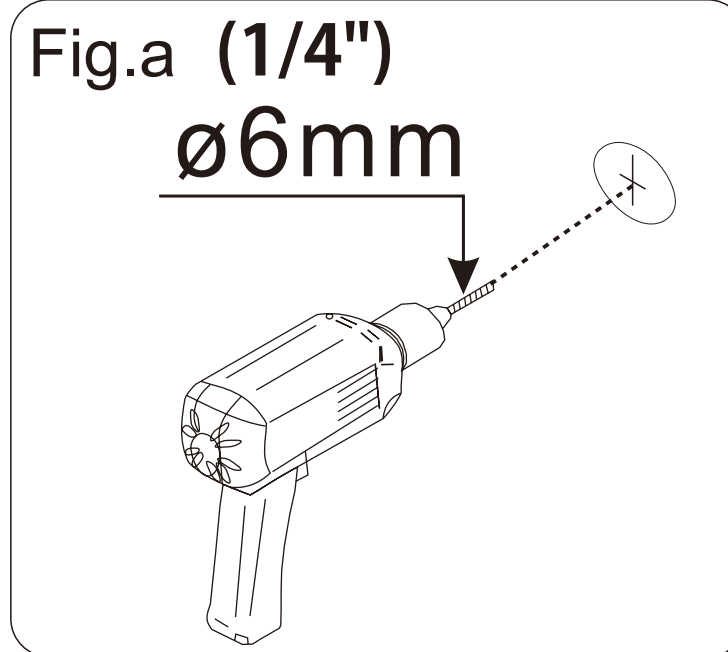
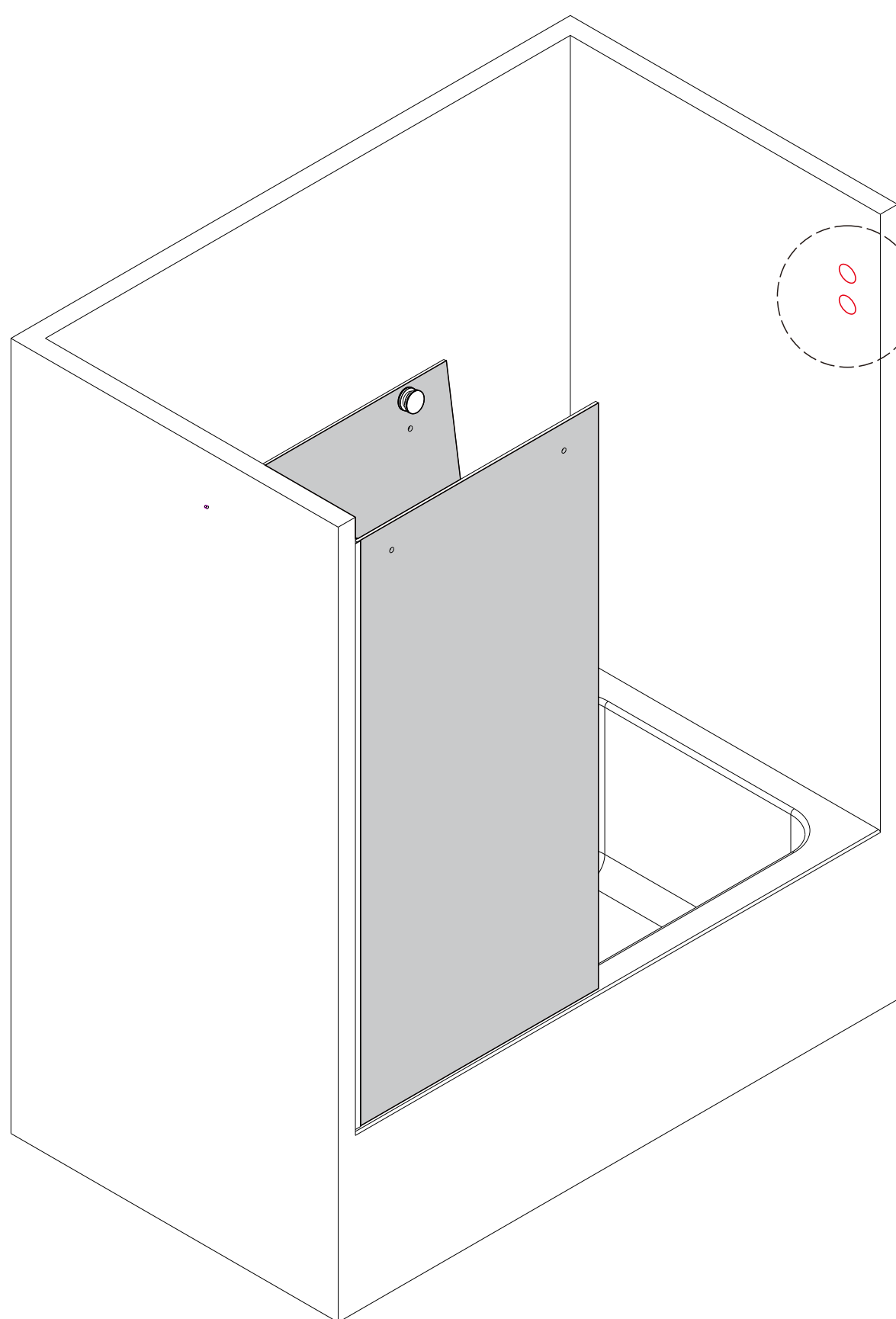


**CAUTION: Do not put glass directly on the ground**

**11** Borehole

NOTE

1. Drill holes with  $\Phi 6\text{mm}$ (1/4") drill bit as Fig.a .
2. Insert in **Wall Anchors(aa)** as Fig.b .



NOTE

- If a Stud is present behind the wall:  
drill  $\Phi 1/8"$ (3mm) pilot holes into the stud and use the ST4.0x30mm **Screws(dd)**  
OR
- If NO Stud is present behind the wall:  
drill  $\Phi 1/4"$ (6mm) holes and insert the **Wall Anchors(aa)** and use the ST4.0x30mm **Screws(dd)**.

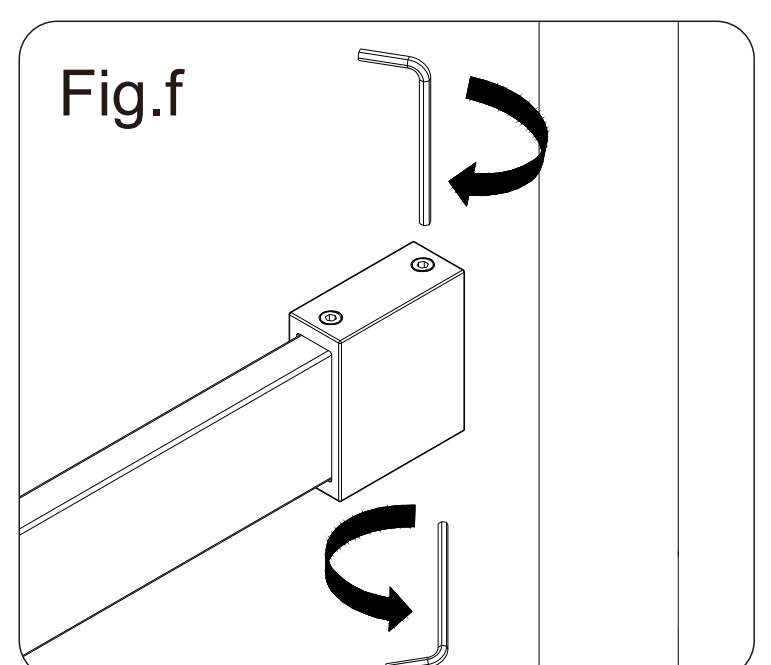
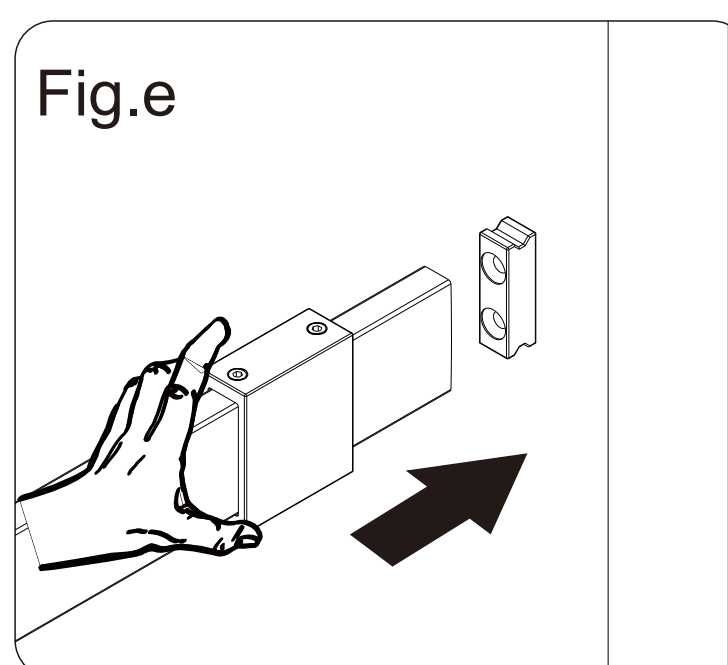
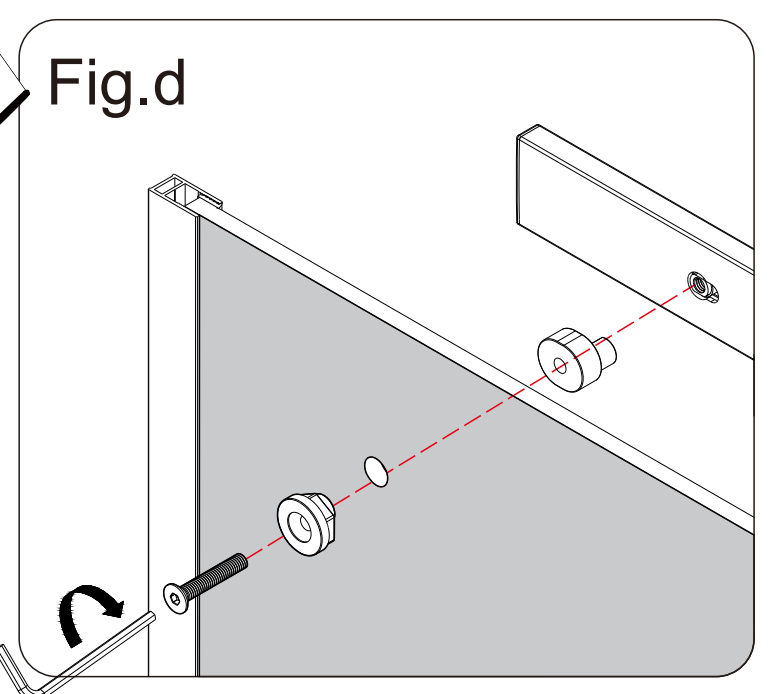
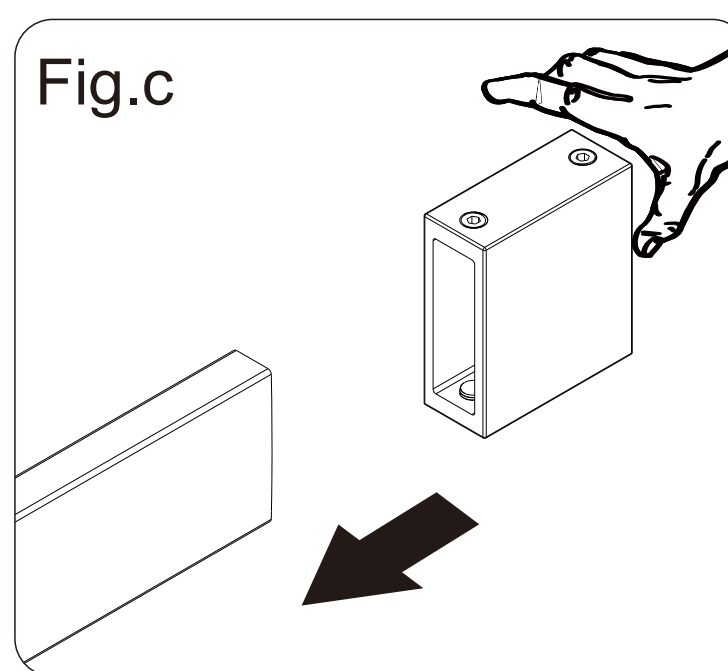
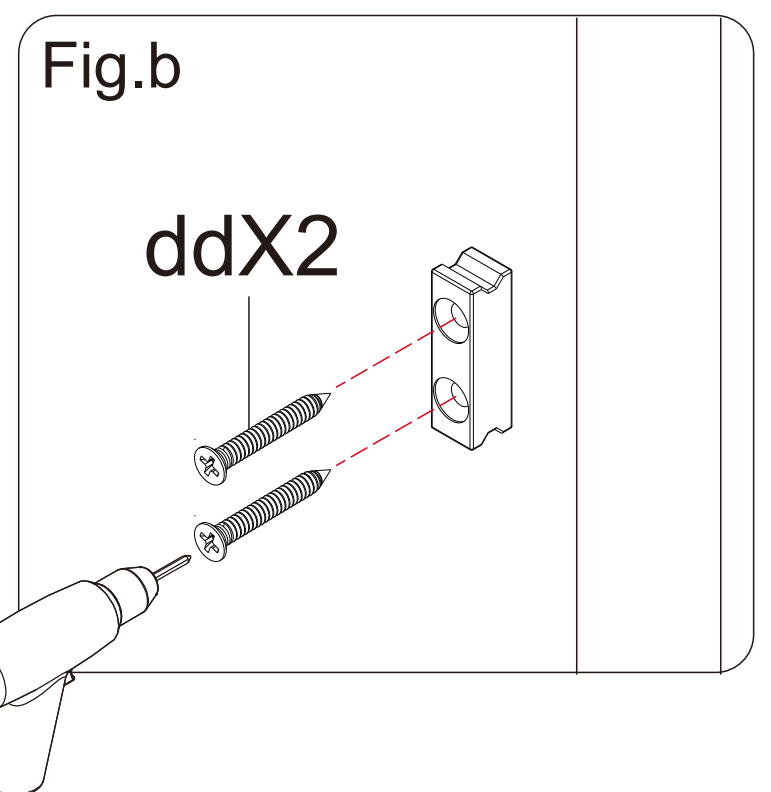
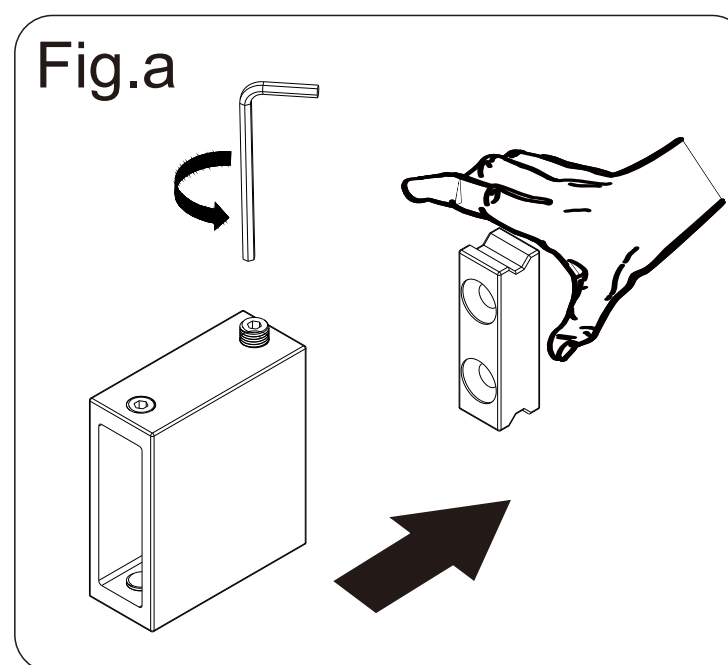
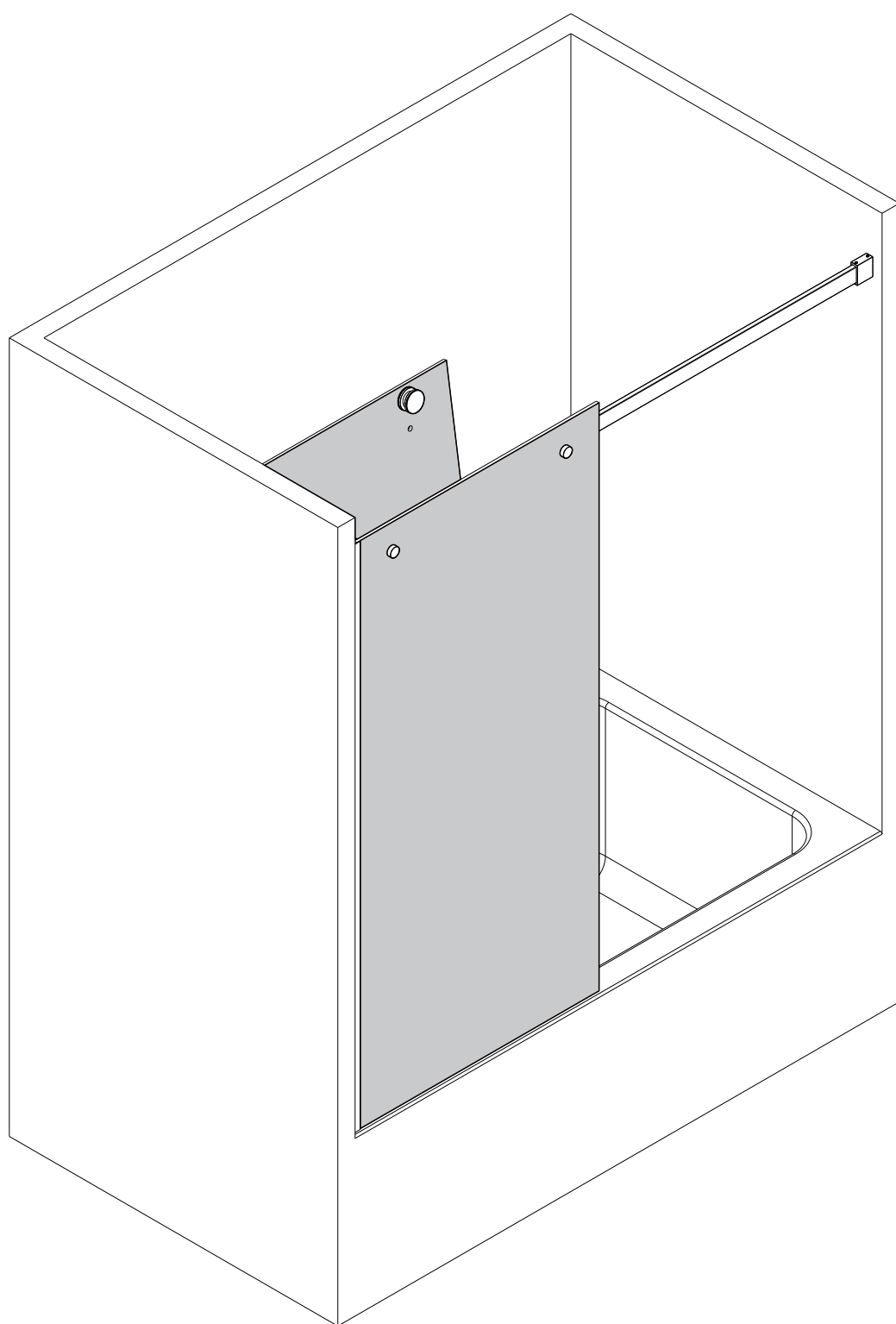


**CAUTION:** Do not put glass directly on the ground

# 12 Install Guide Rail(G)

NOTE

1. Take out the **Upper Wall Base(H)** bottom cap as Fig.a .
2. Secure the bottom cap with **Screws(dd)** as Fig.b .
3. Attach the **Upper Wall Base(H)** to the **Guide Rail(G)** as Fig.c .
4. Secure the **Guide Rail(G)** to the **Stationary Glass(D)** with the **Glass Clips(B)** as Fig.d .
5. Push the **Upper Wall Base(H)** onto the bottom cap as Fig.e .
6. Secure the **Upper Wall Base(H)** with a hex wrench as Fig.f .

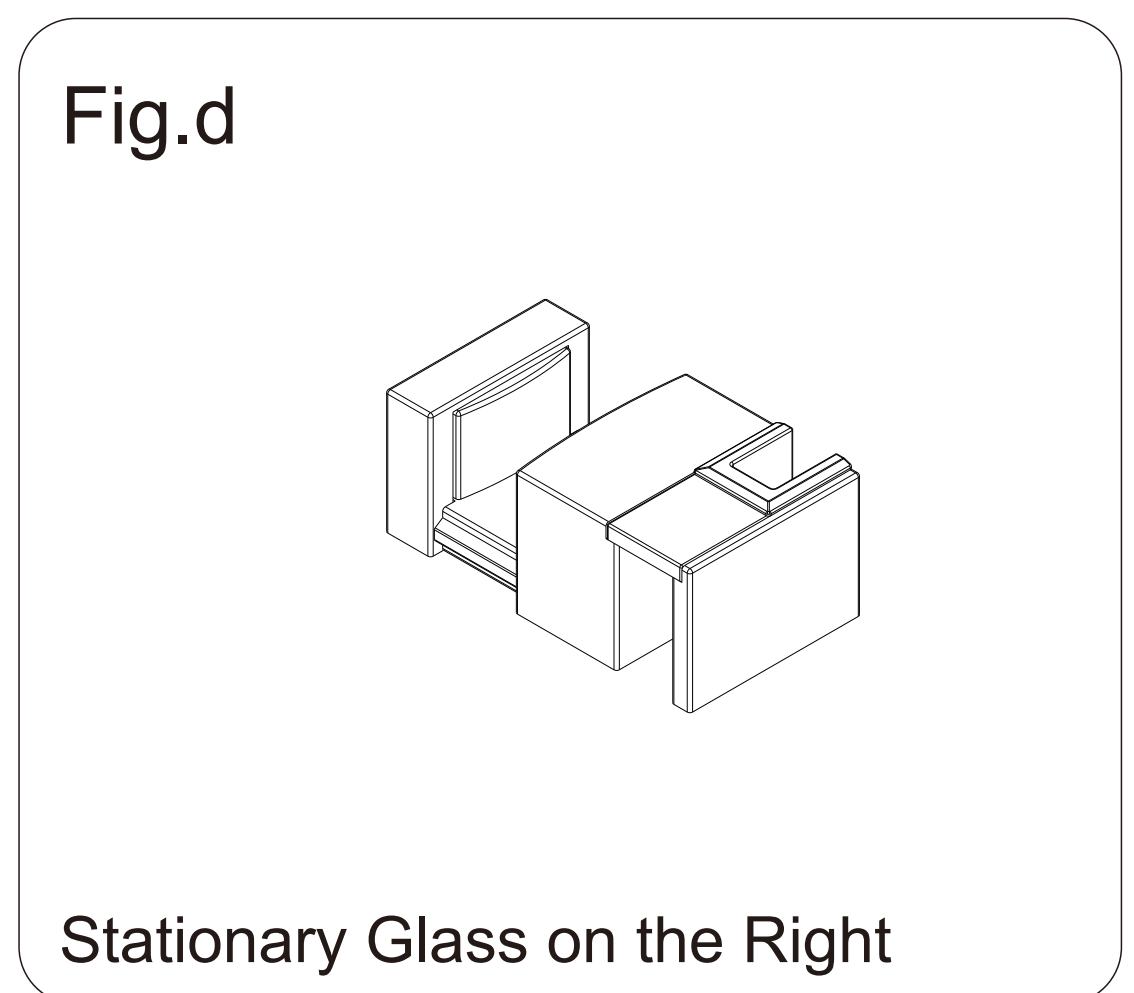
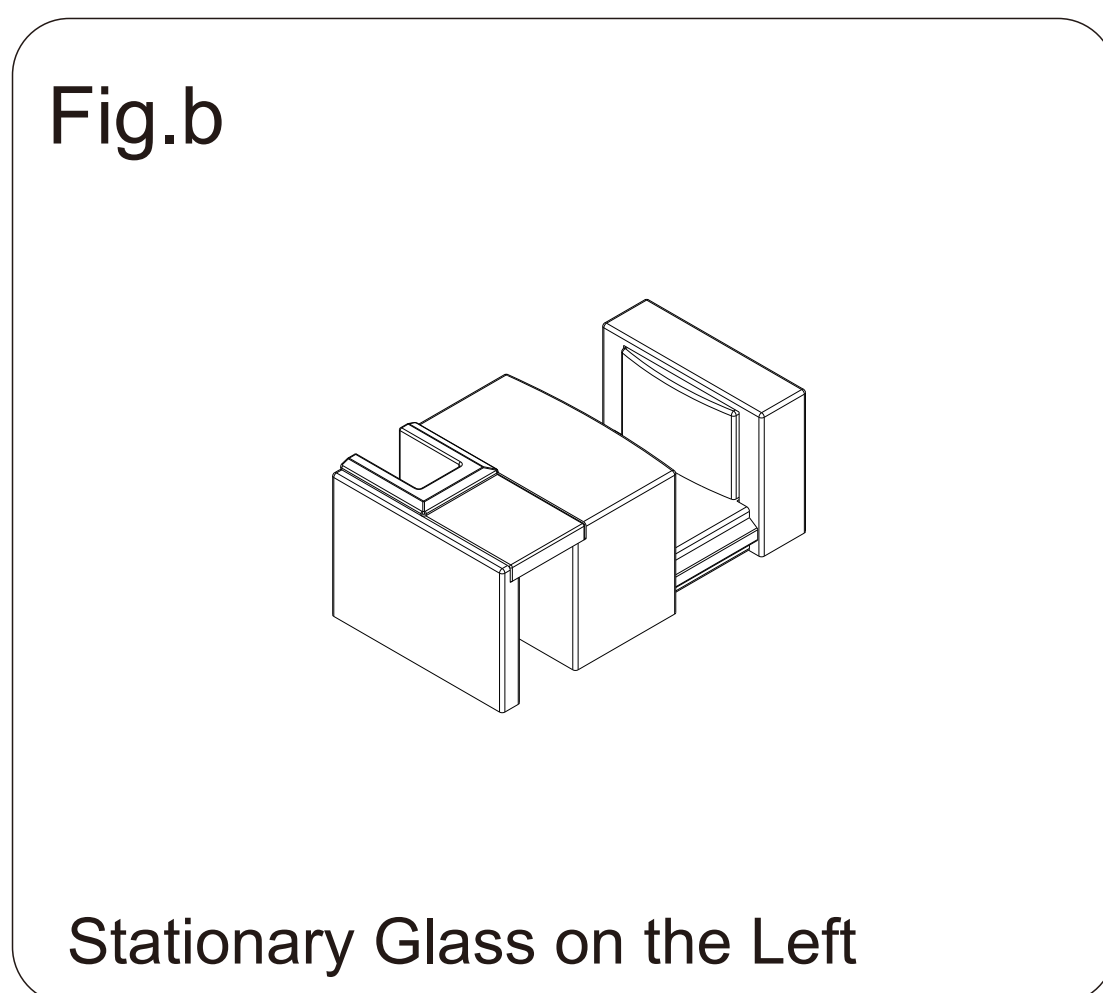
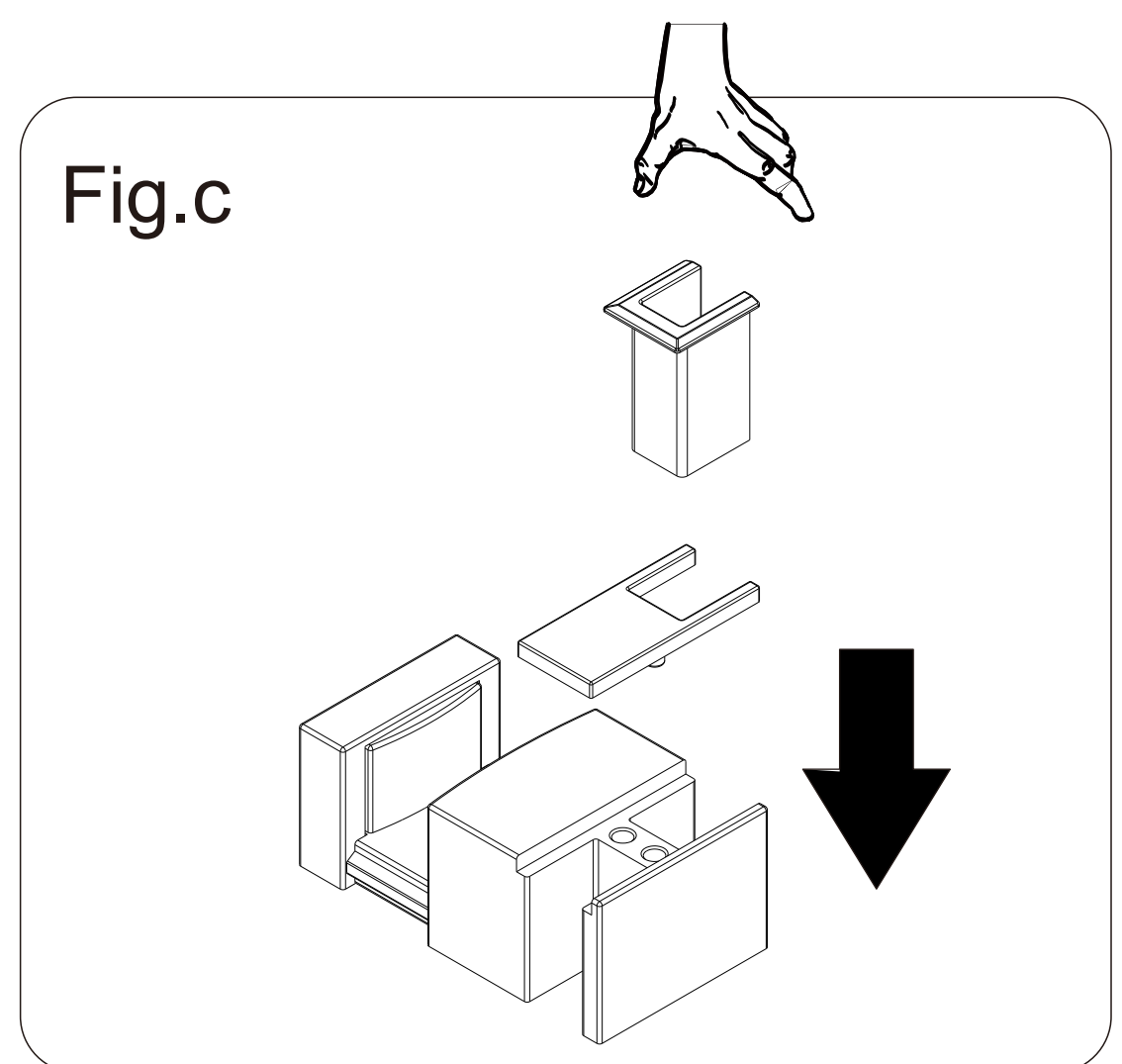
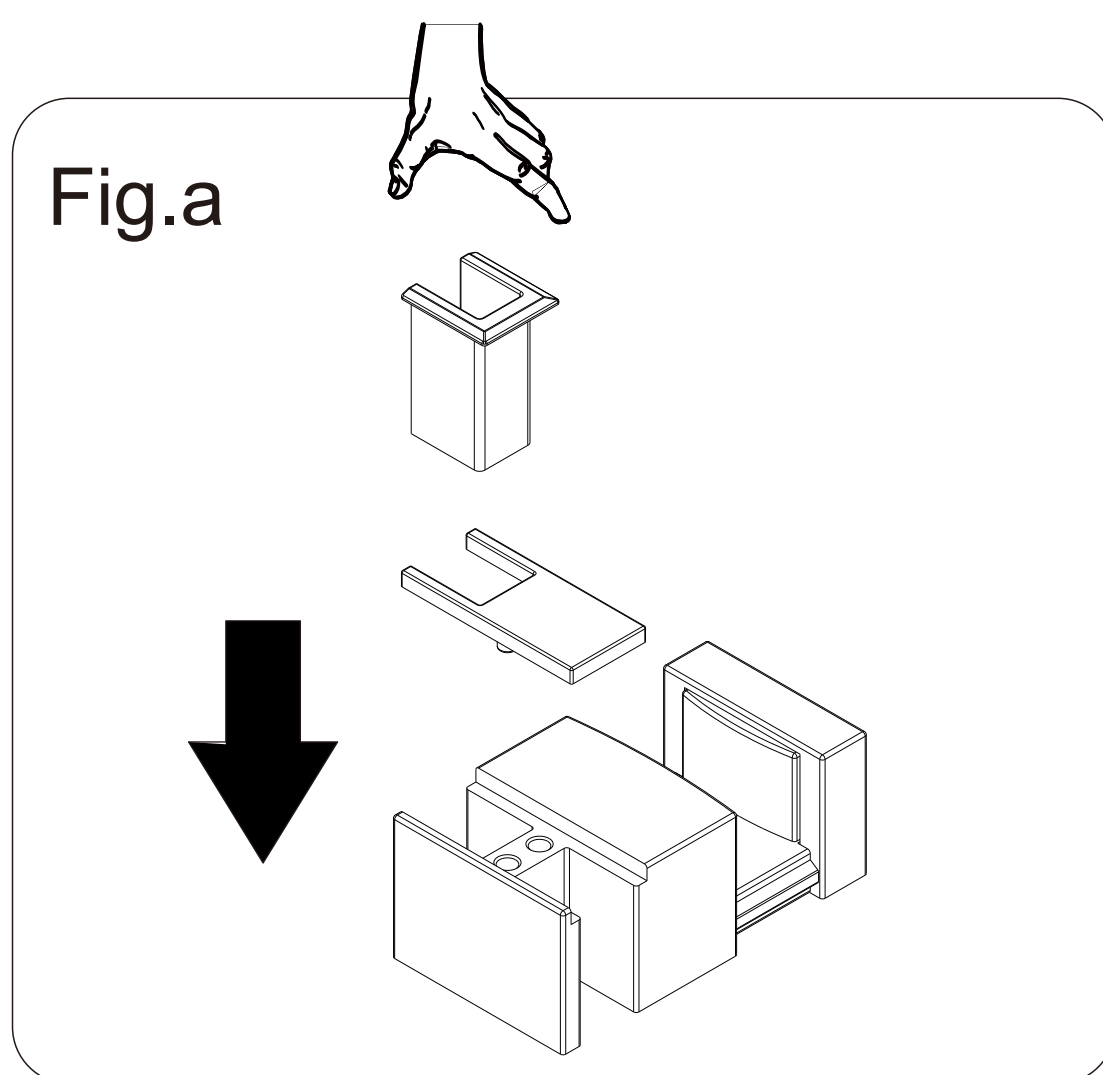


**CAUTION:** Do not put glass directly on the ground

# 13 Adjust the bottom **Guide Block(Q)**

NOTE

1. When the **Stationary Glass(D)** is installed on the left, the installation state of the **Guide Block(Q)** as Fig.a and Fig.b.
2. When the **Stationary Glass(D)** is installed on the right, the installation state of the **Guide Block(Q)** as Fig.c and Fig.d.

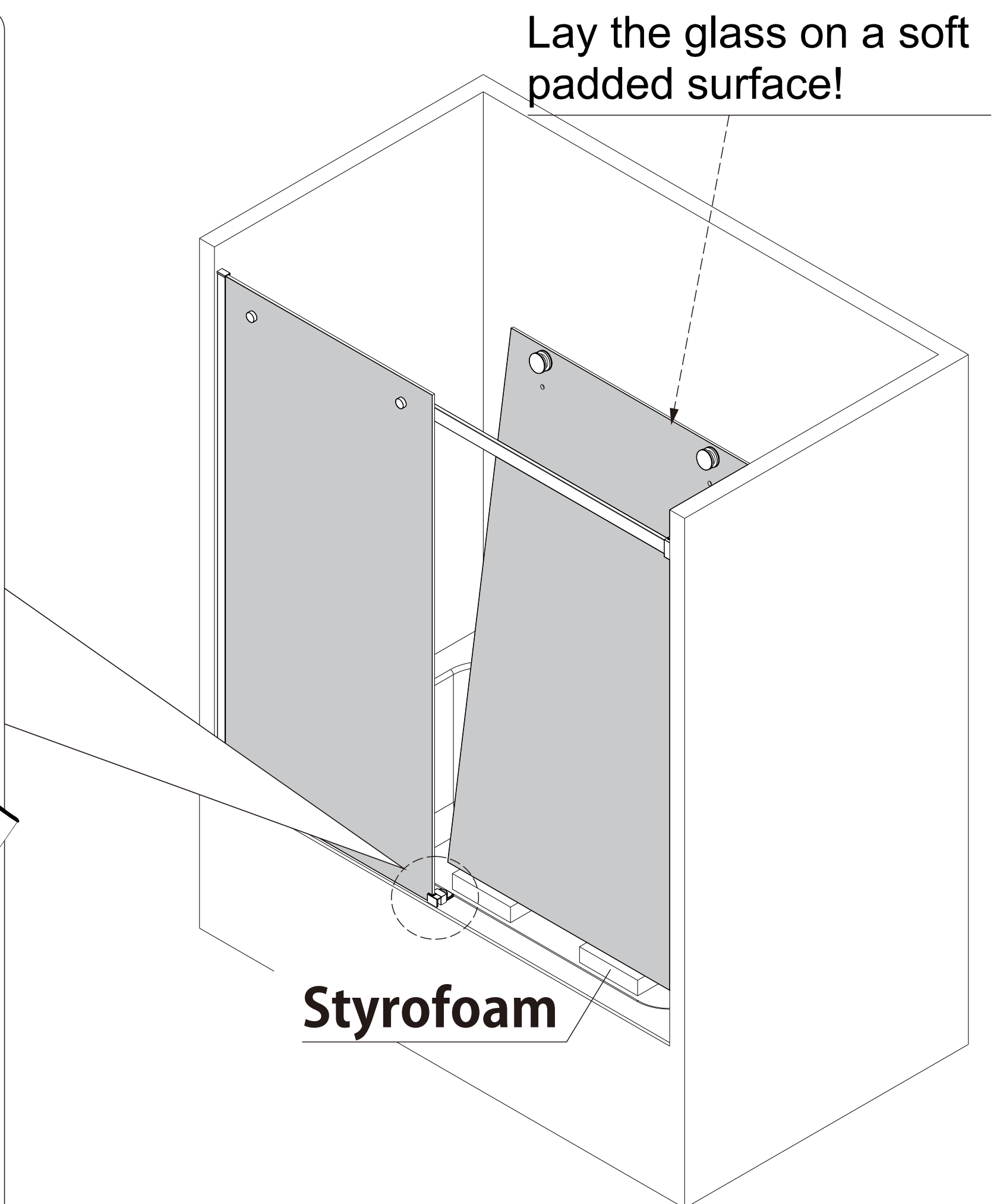
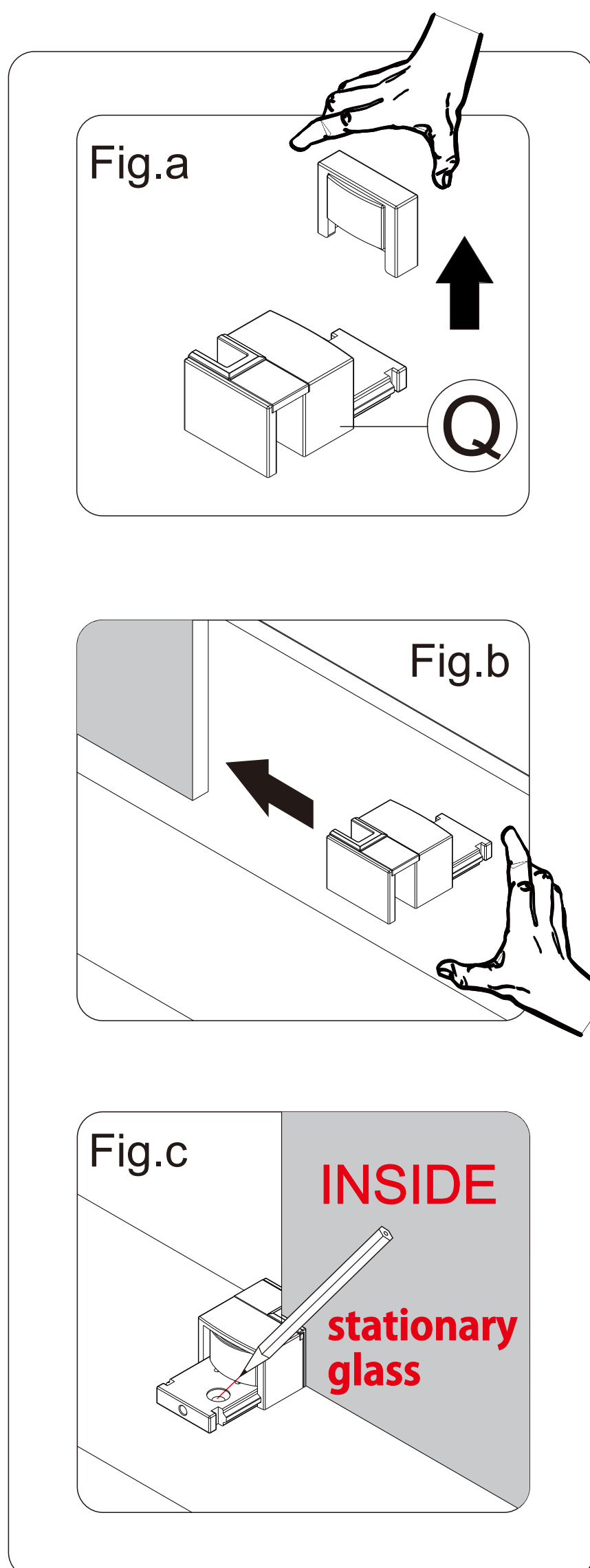


Note: The shower door can be installed left or right, according to the need to determine the installation direction.

**14** Mark the holes in the **Guide Block(Q)**

NOTE

1. Remove the **Guide Block(Q)** decorative cover as Fig.a .
2. Install the **Guide Block(Q)** on the **Stationary glass(D)** as Fig.b .
3. Mark the holes in the **Guide Block(Q)** with a pencil as Fig.c .

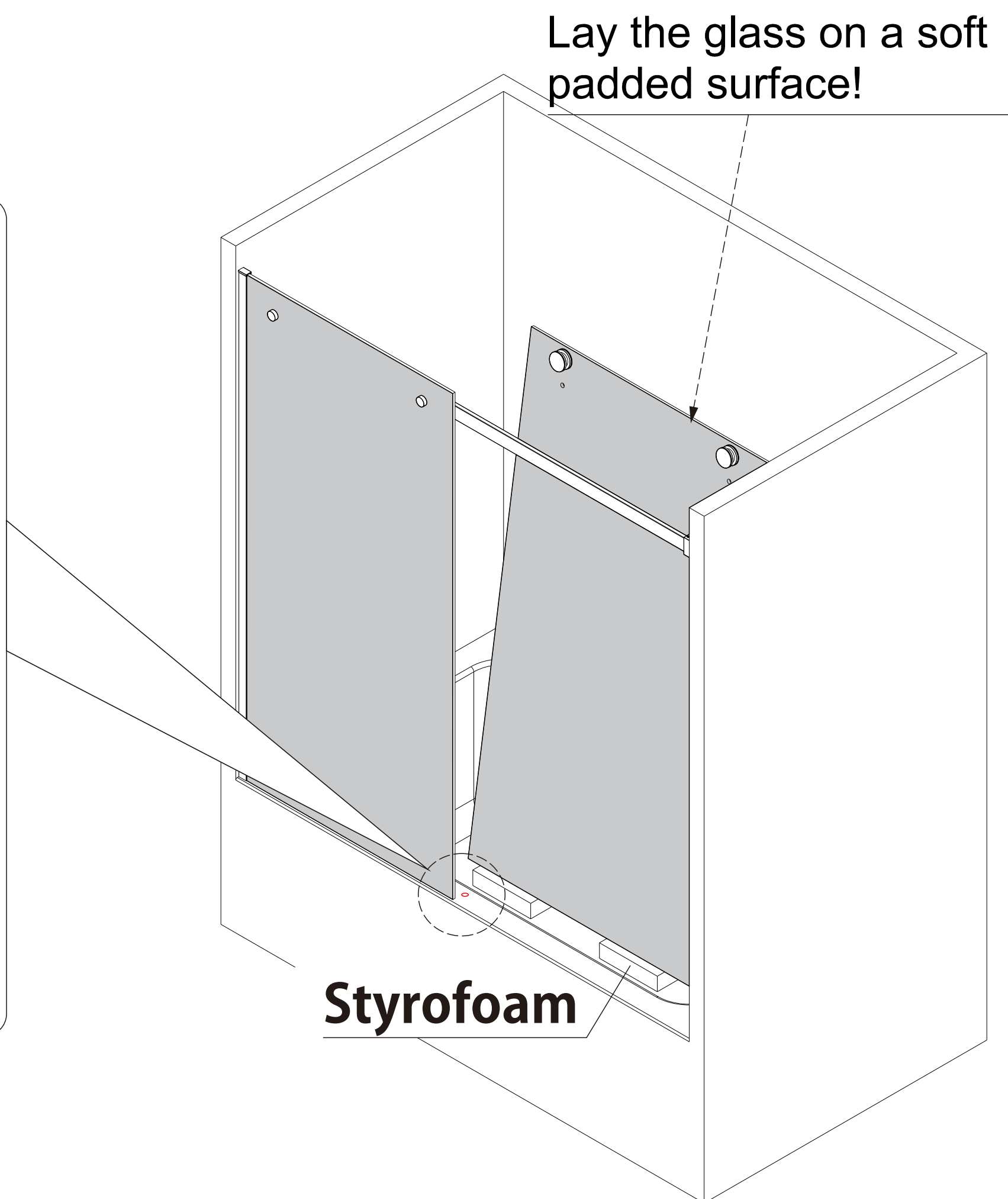
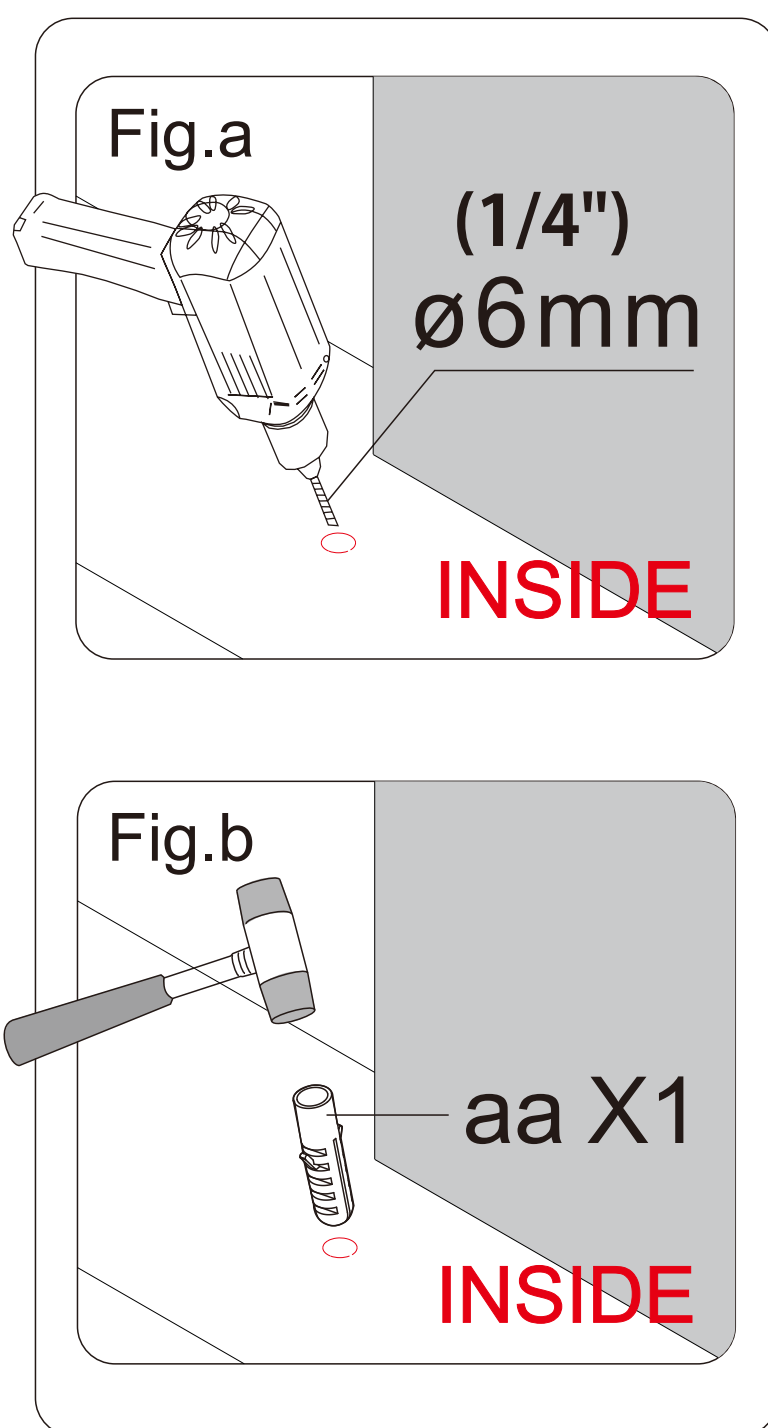


**CAUTION:** Do not put glass directly on the ground

**15** Insert **Wall Anchors**(ee).

NOTE

1. Drill holes with  $\phi$  6mm(1/4") drill bit as Fig.a .
2. Insert **Wall Anchors**(bb) as Fig.b .

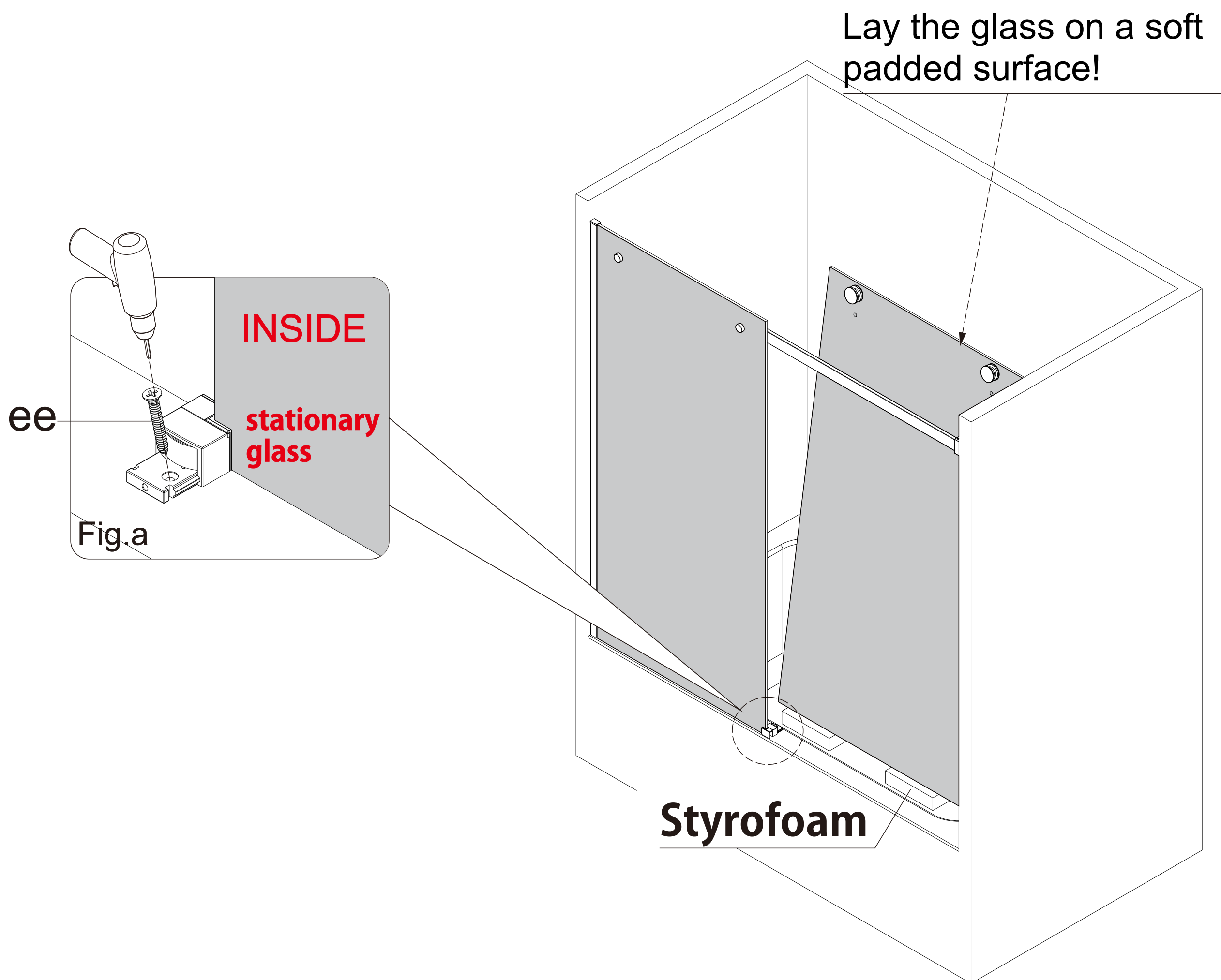


**CAUTION:** Do not put glass directly on the ground

**16** Install **Guide Block(Q)**

NOTE

Secure the **Guide Block(Q)** with **Screws (ee)** as Fig.a .

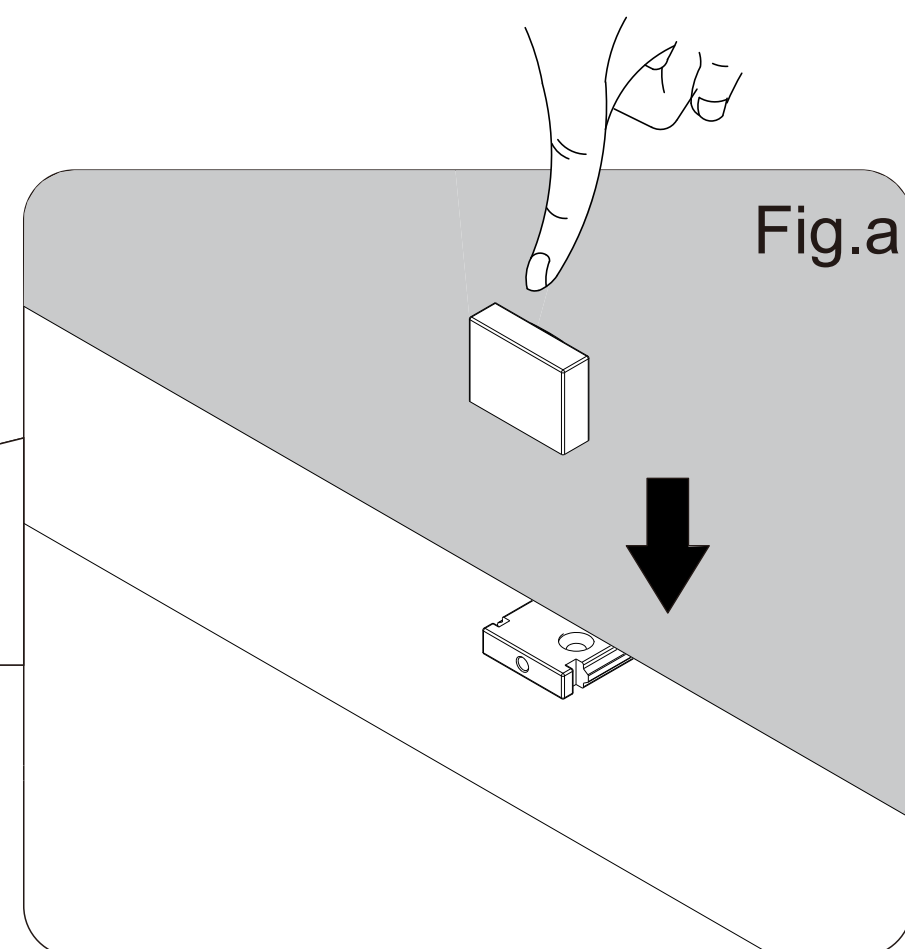
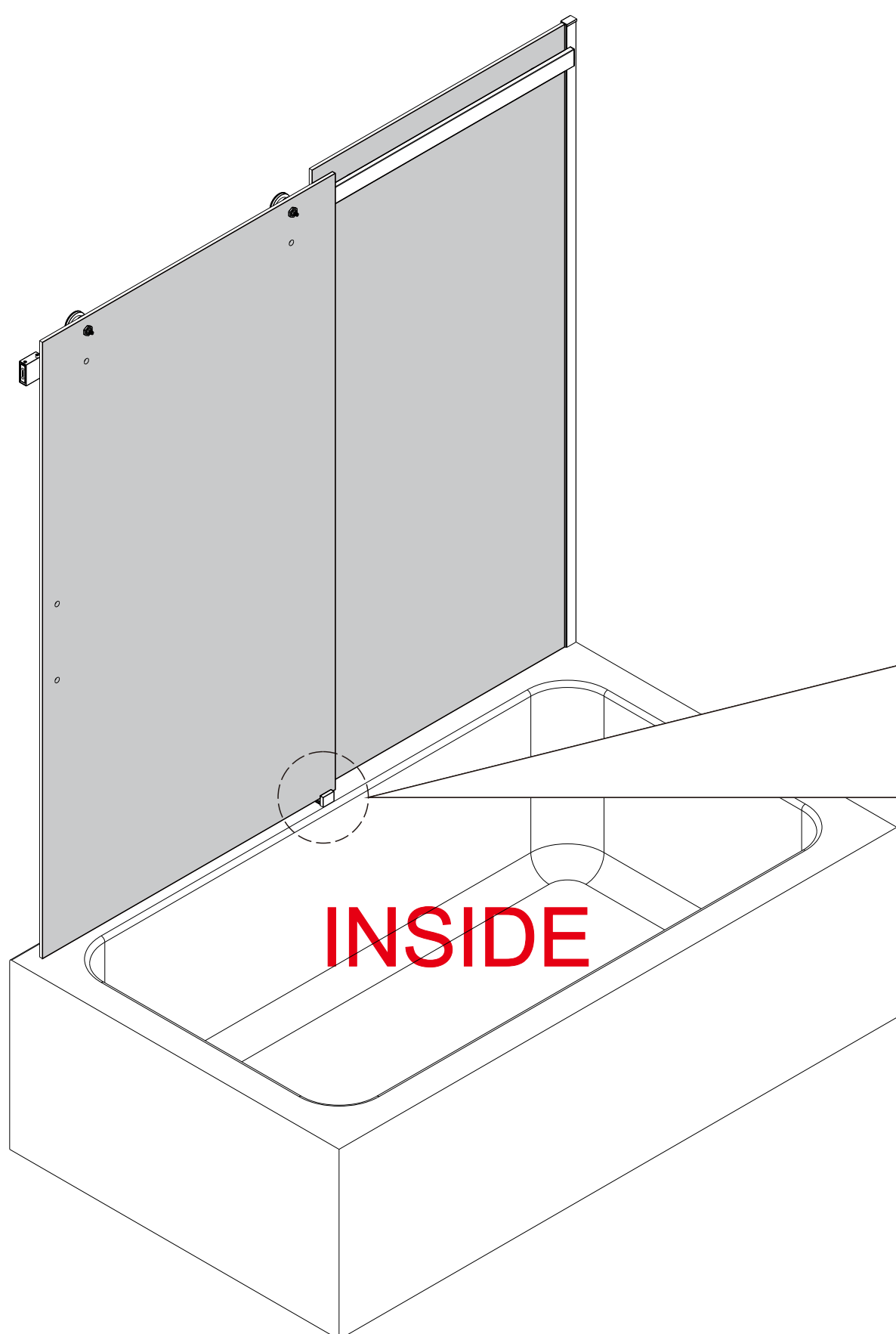
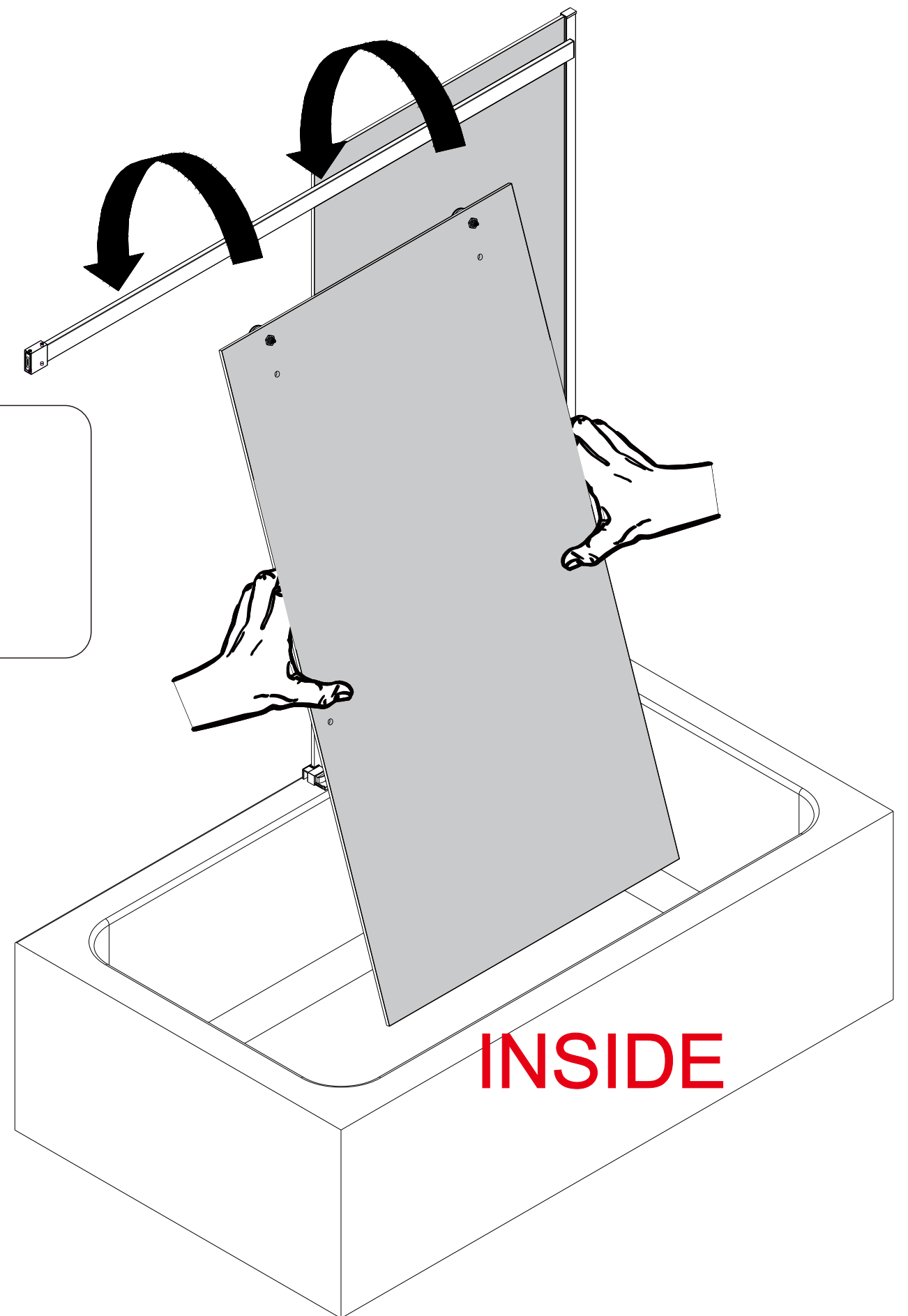


**CAUTION:** Do not put glass directly on the ground

**17** Install **Glass Door(O)**

NOTE

1. Hang the **Glass Door(O)** on the **Guide Rail(Q)**
2. Then fit the cover cap to the **Guide Block(Q)**, and insert the bottom of **Glass Door(O)** into the **Guide Block(Q)** as Fig.a.

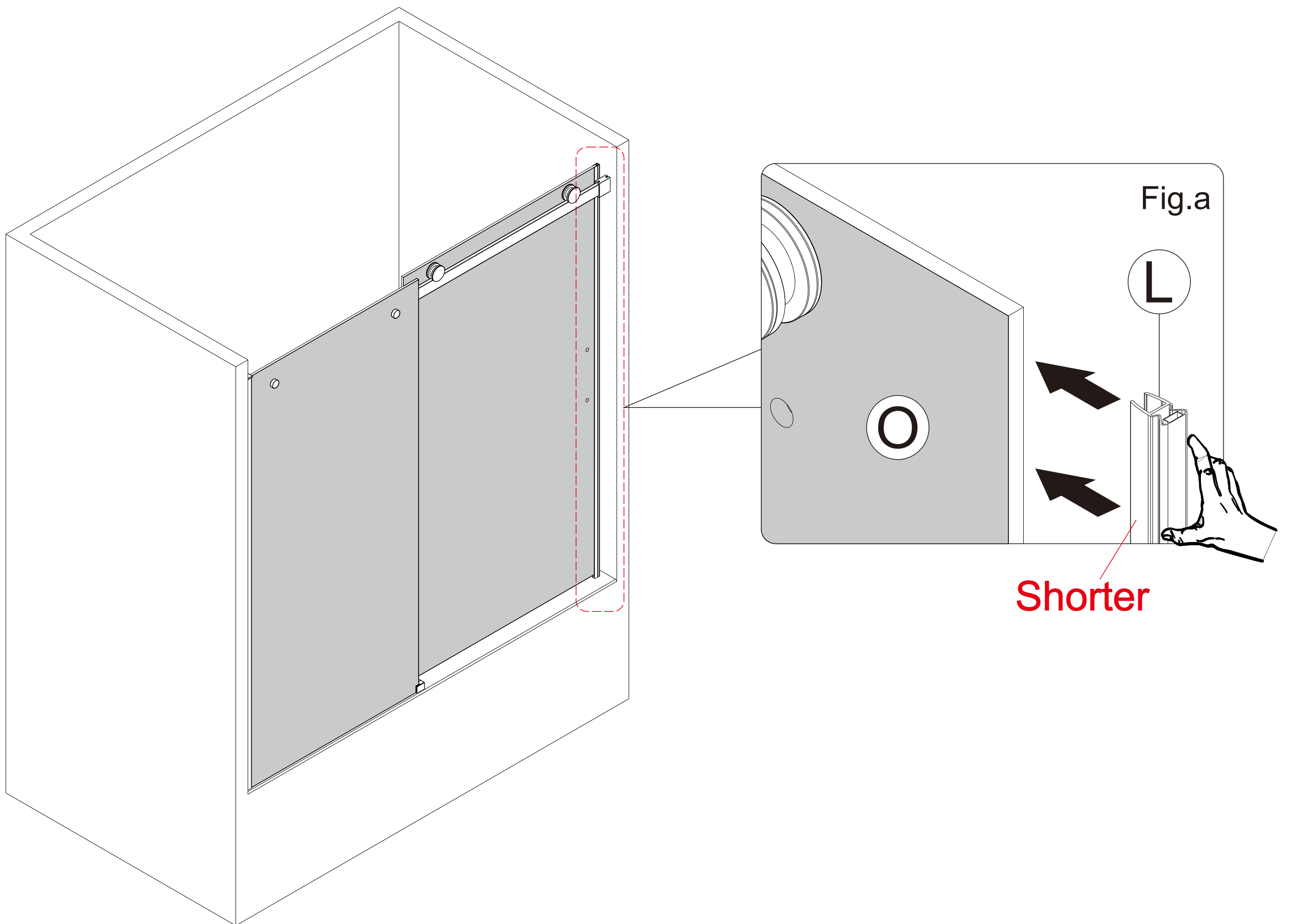




# 18 Install Magnetic Strip(L)

NOTE

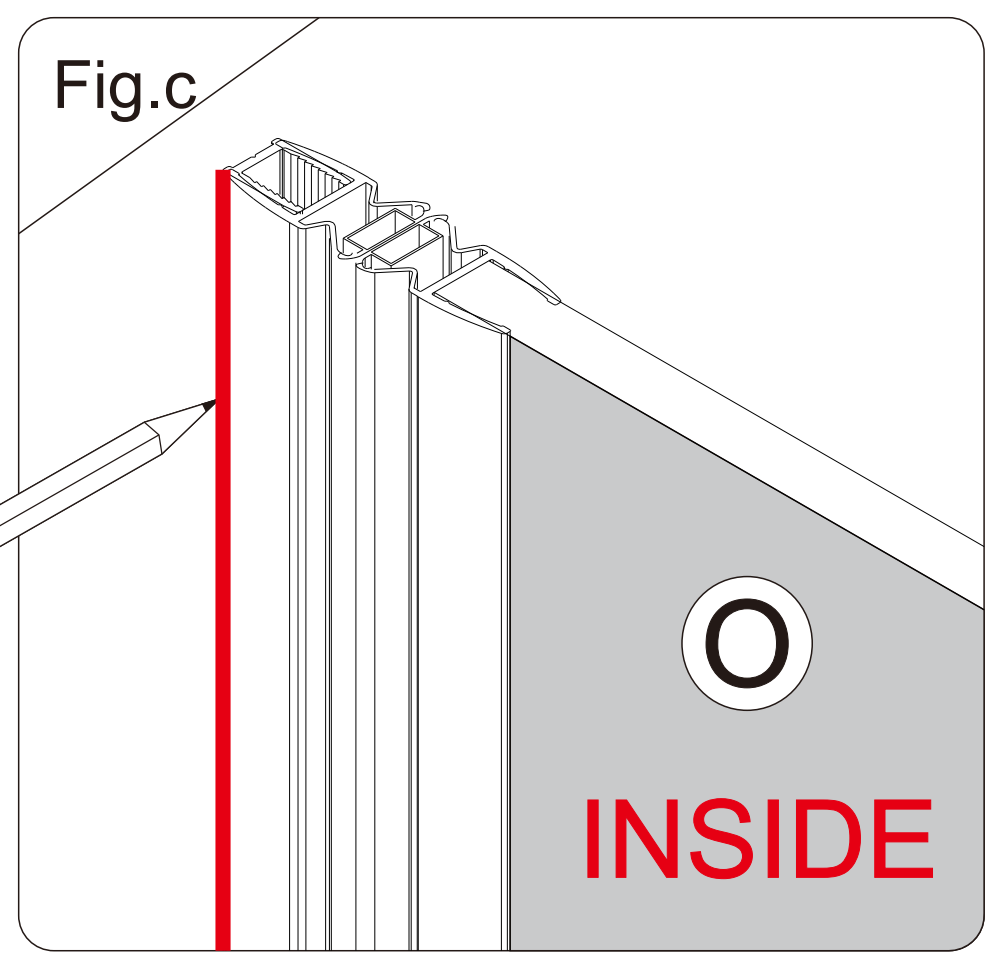
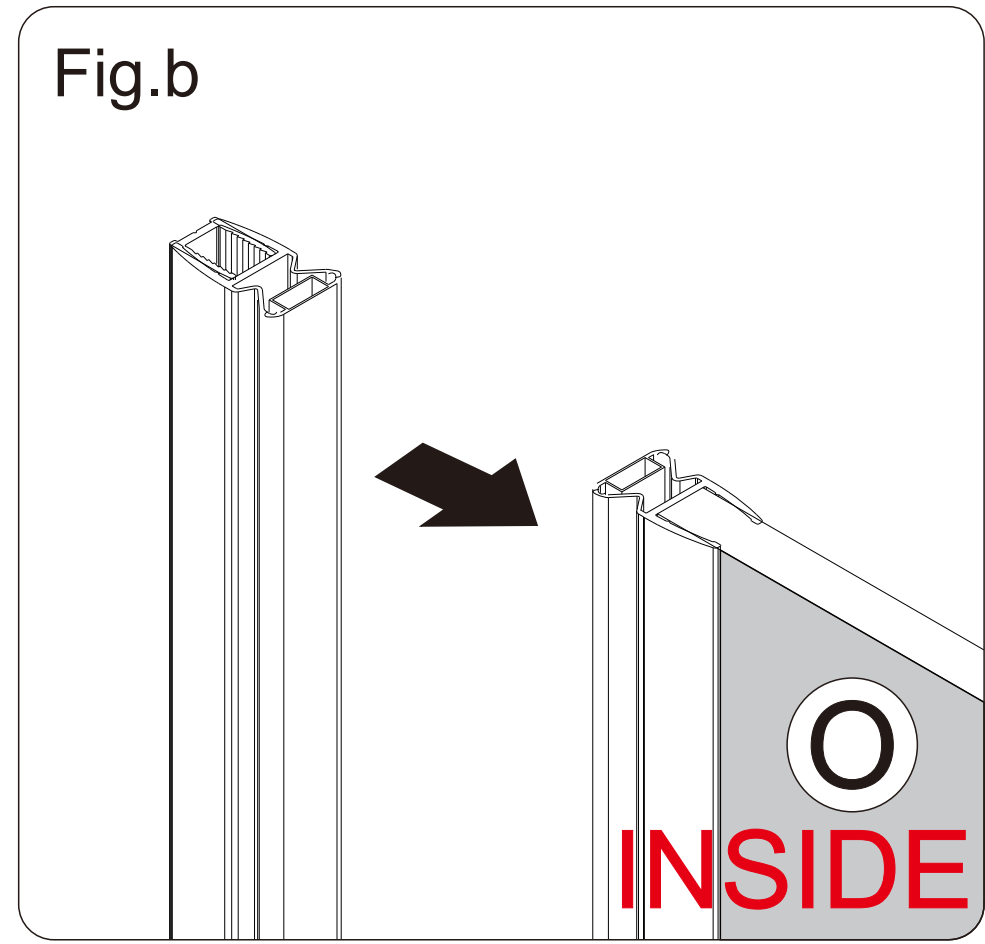
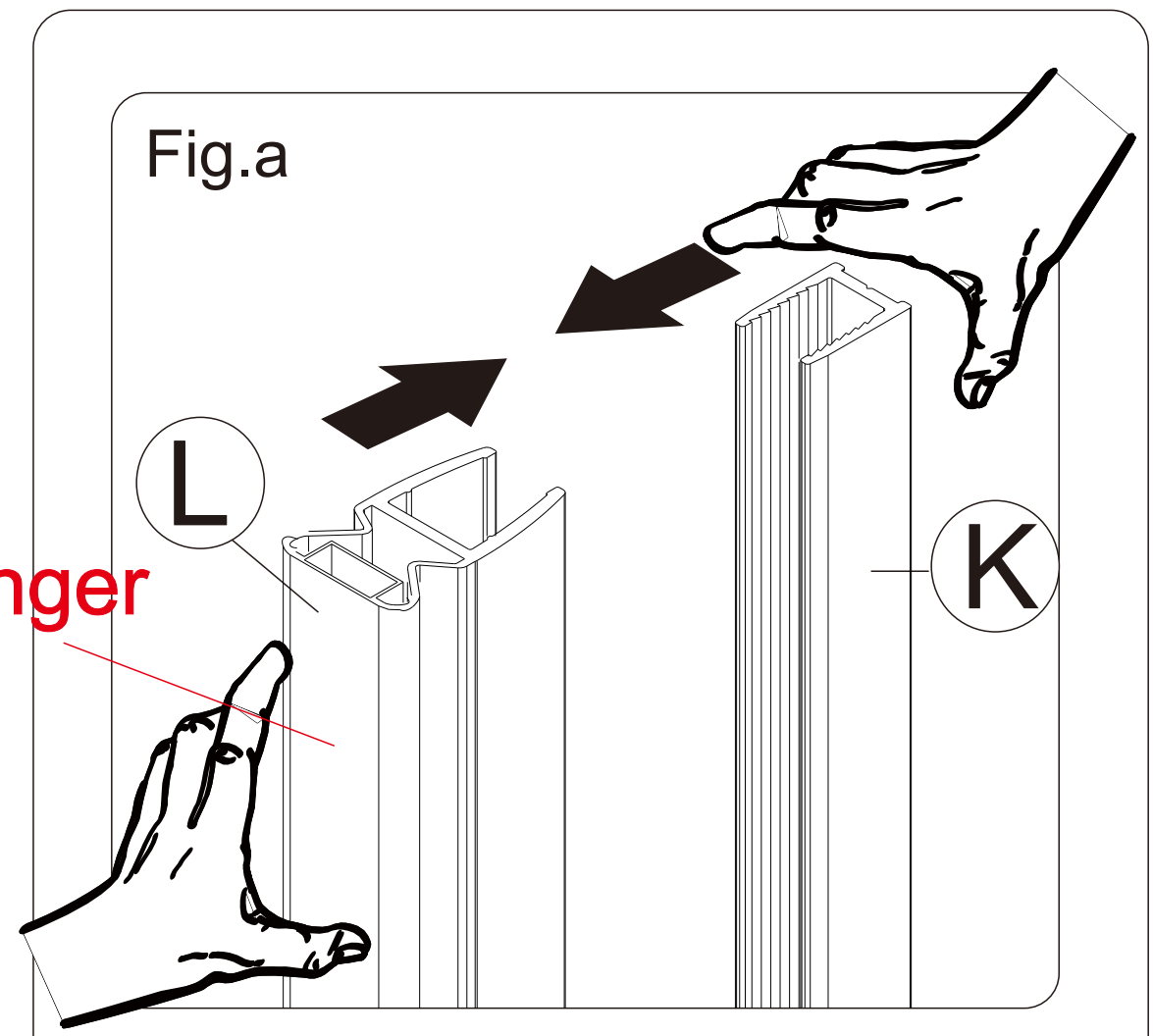
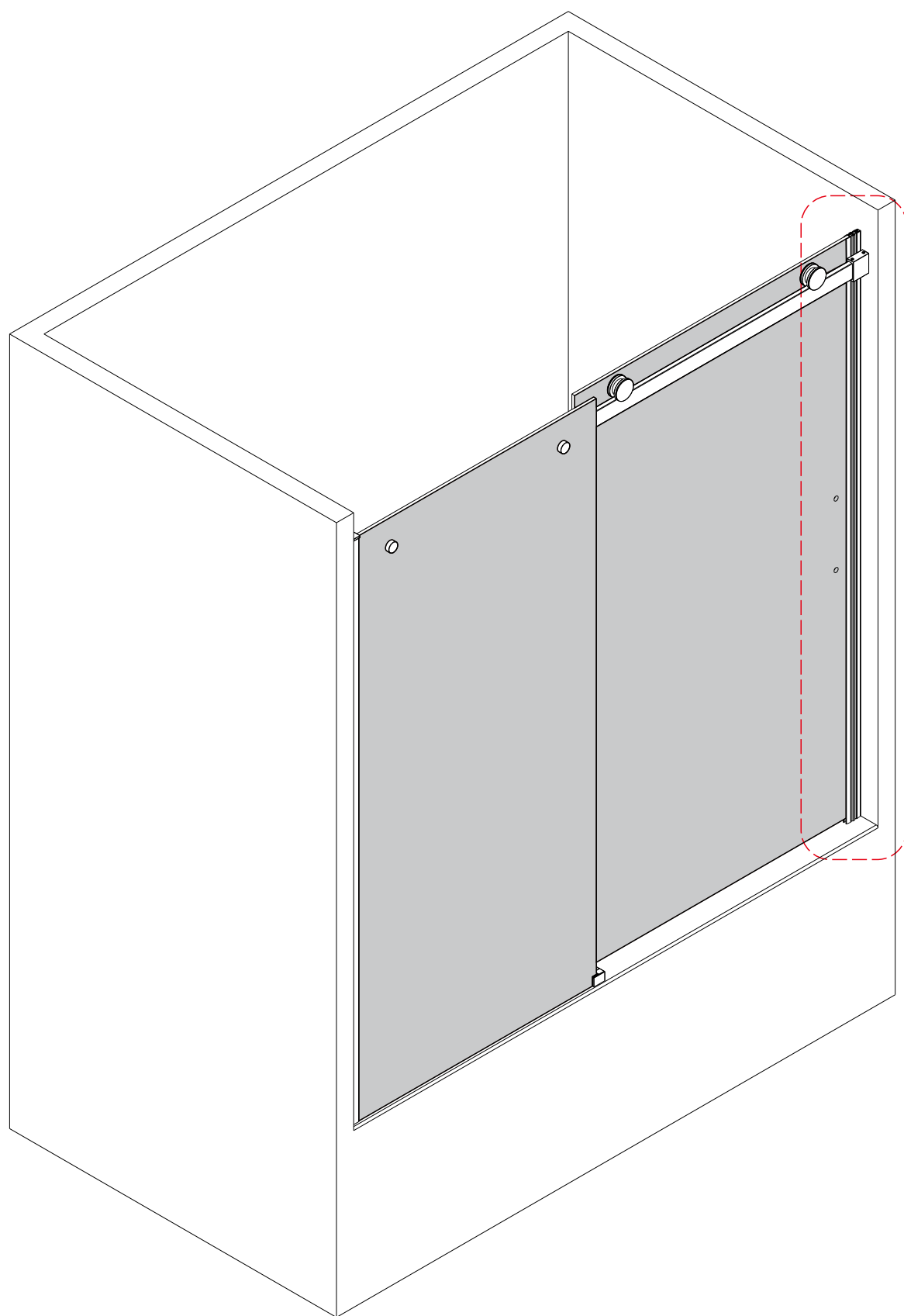
1. Install the **Magnetic Stripe(L)** on the **Glass Door(O)** as Fig.a .



# 19 Install Wall Jamb(K)

NOTE

1. Assemble the **Wall Jamb(N)** and **Magnetic Stripe(L)** together as **Fig.a** .
2. Magnetically attach the two **Magnetic Strips(L)** together as **Fig.b** .
3. Use a pencil to mark the wall as **Fig.c**



## 20 Install Wall Jamb(K)

NOTE

1. Use a pencil to mark the hole on the **Wall Jamb (K)** as Fig.a .
2. Drill holes with  $\Phi 6\text{mm}$ (1/4") drill bit as Fig.b .
3. Insert **Wall Anchors(aa)** as Fig.c .

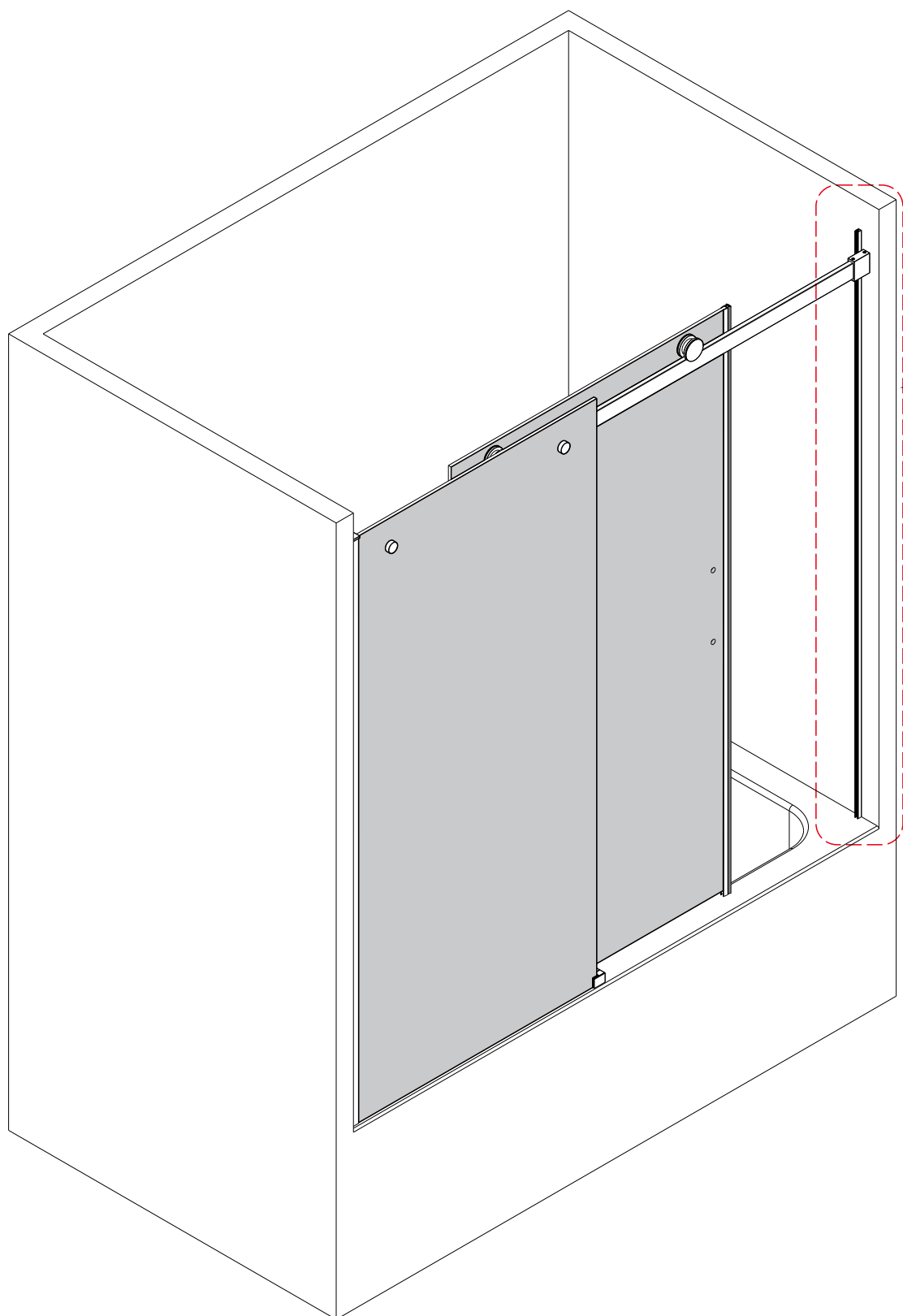


Fig.a

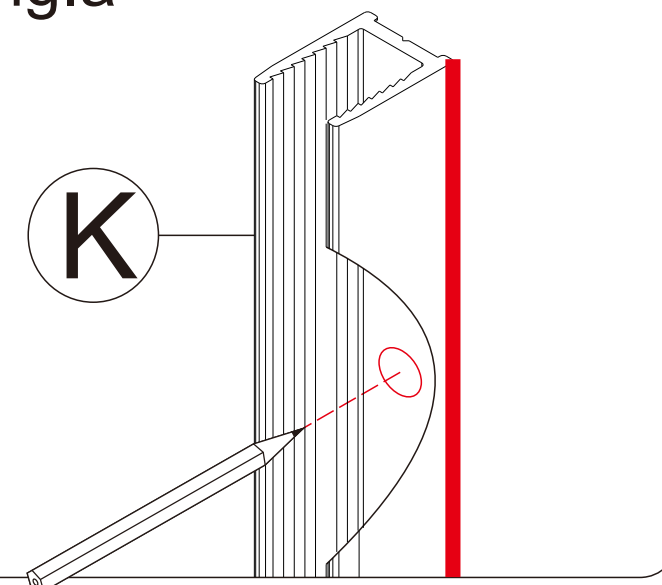


Fig.b (1/4")  
 $\Phi 6\text{mm}$

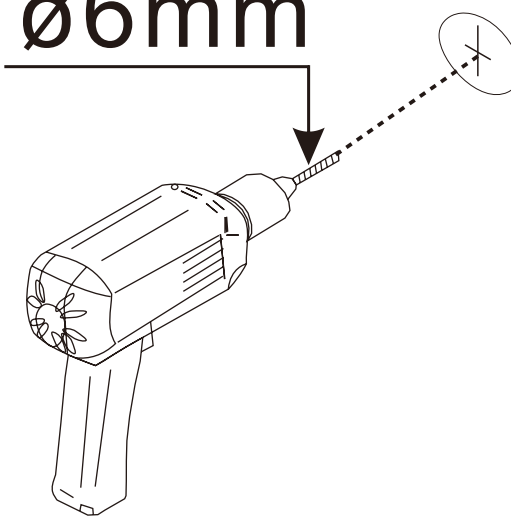
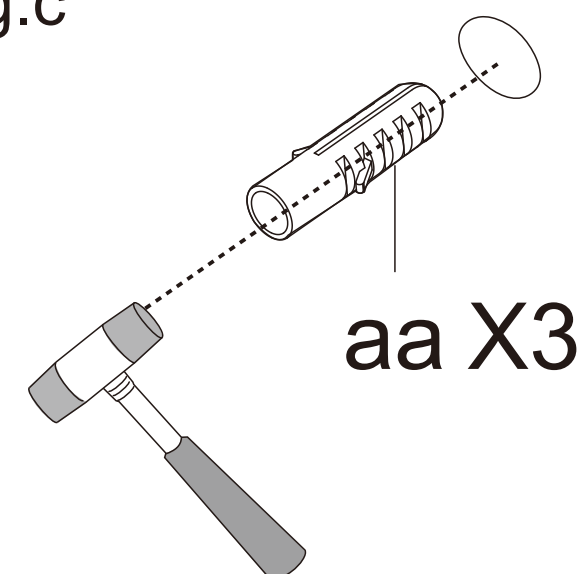


Fig.c



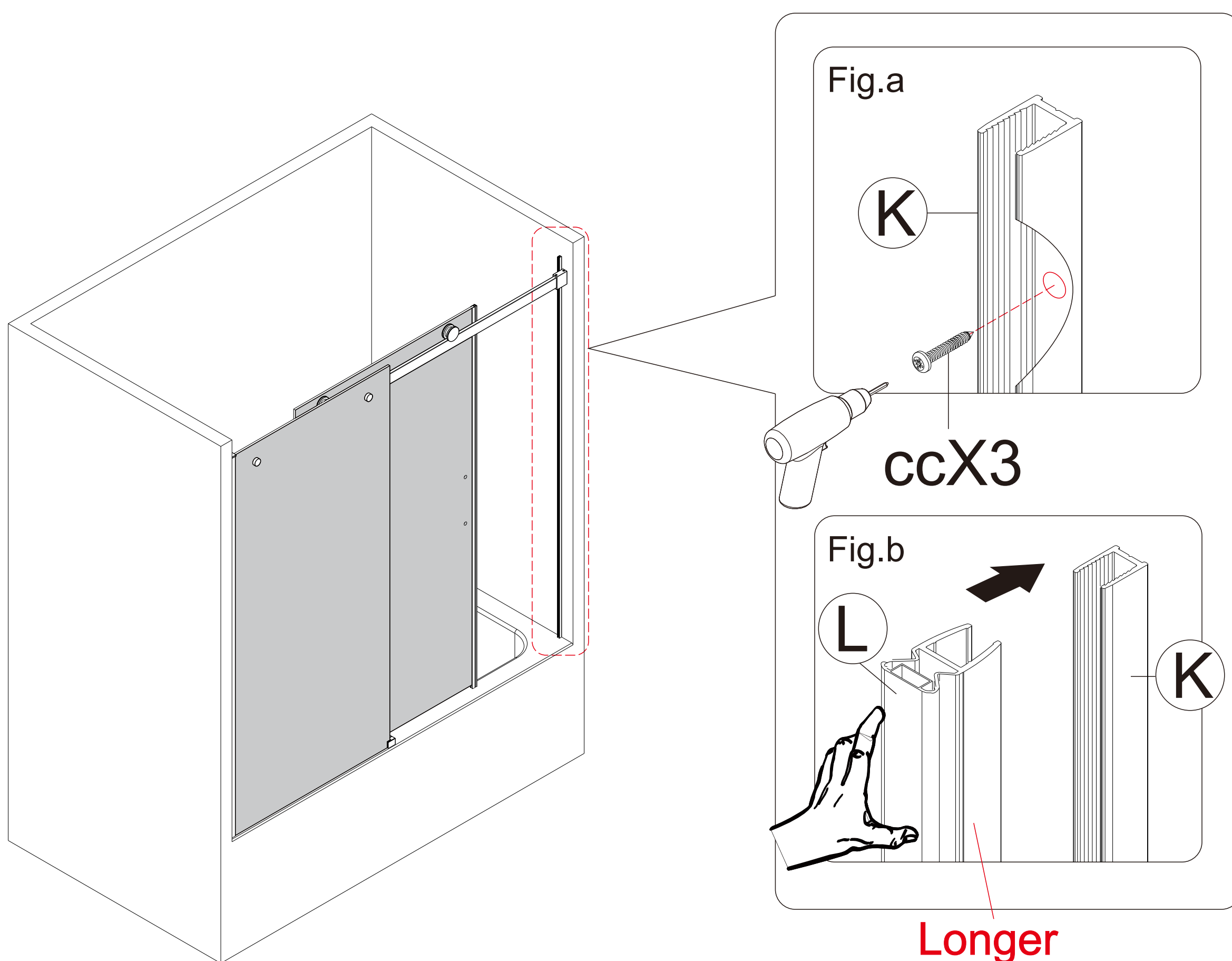
NOTE

- If a Stud is present behind the wall:  
drill  $\Phi 1/8"$ (3mm) pilot holes into the stud and use the ST4.0x30mm **Screws(cc)**  
OR
- If NO Stud is present behind the wall:  
drill  $\Phi 1/4"$ (6mm) holes and insert the **Wall Anchors(aa)** and use the ST4.0x30mm **Screws(cc)**.

**21** Install **Wall Jamb(K)** and **Magnetic Strip(L)**

NOTE

1. Attach the **Wall Jamb (K)** to the wall with **Screws (cc)** as Fig.a .
2. Install the **Magnetic Stripe(L)** on the **Wall Jamb(K)** as Fig.b



## 22 Adjustment

NOTE

Adjust the **Roller (I)** with a hex wrench to make the **Magnetic Stripe(L)** engage smoothly as Fig.a、 Fig. b and Fig.c .

Fig.a

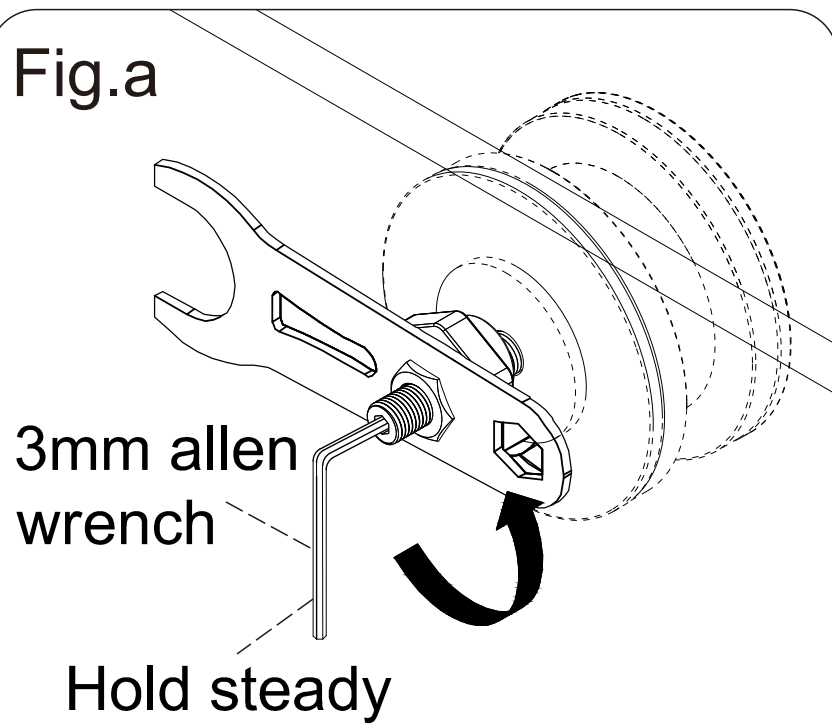


Fig.b

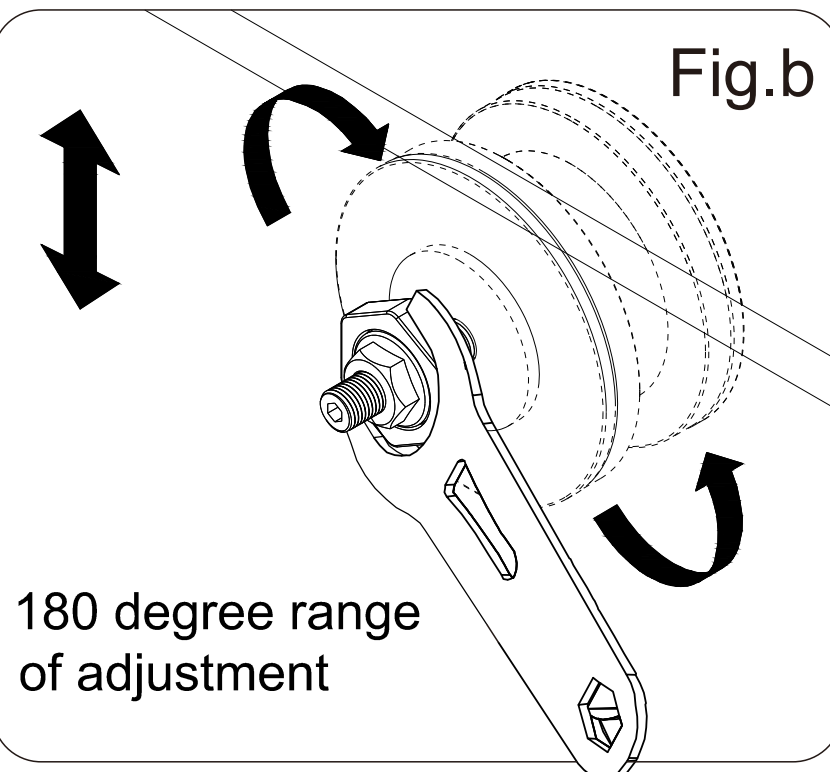
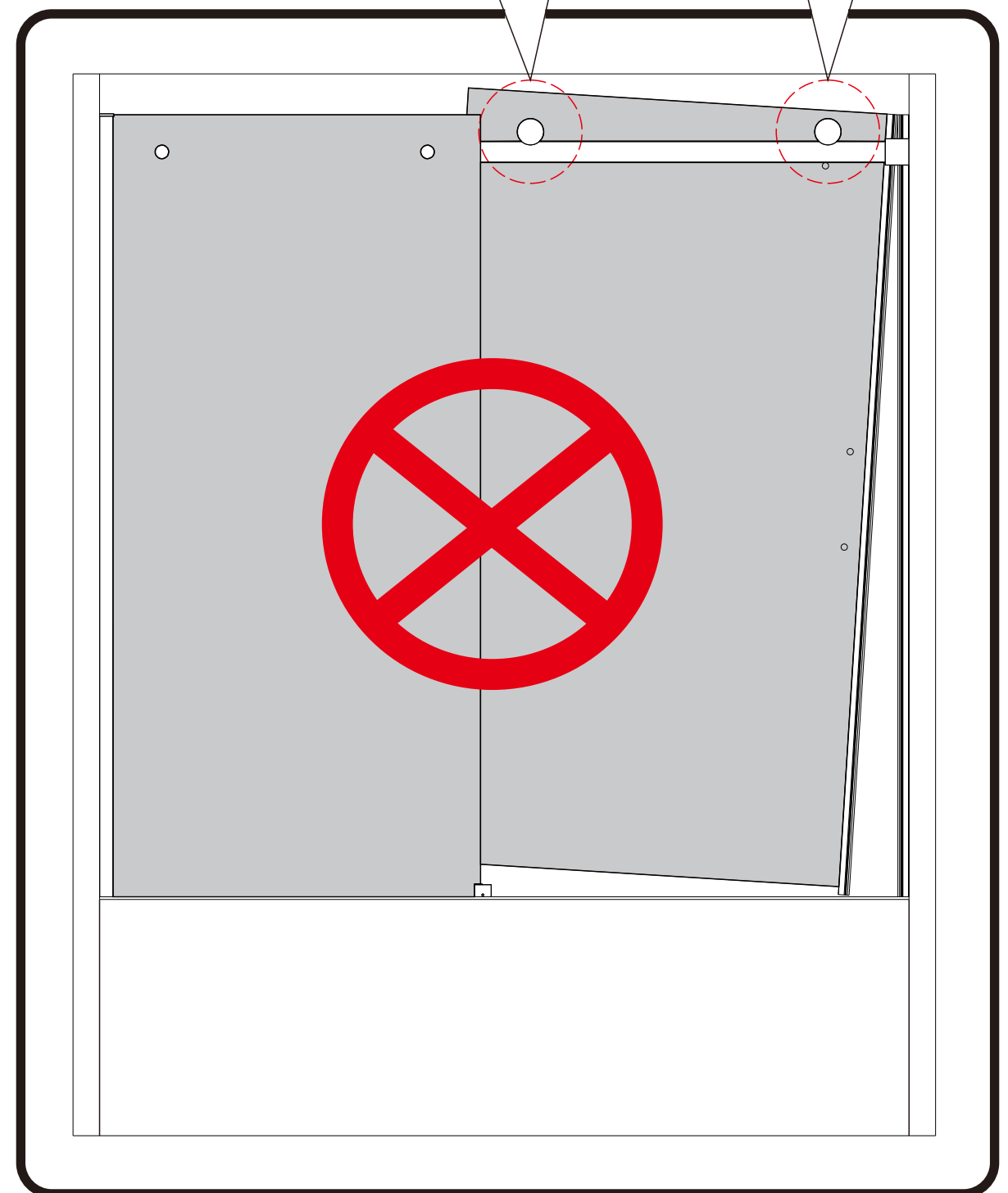
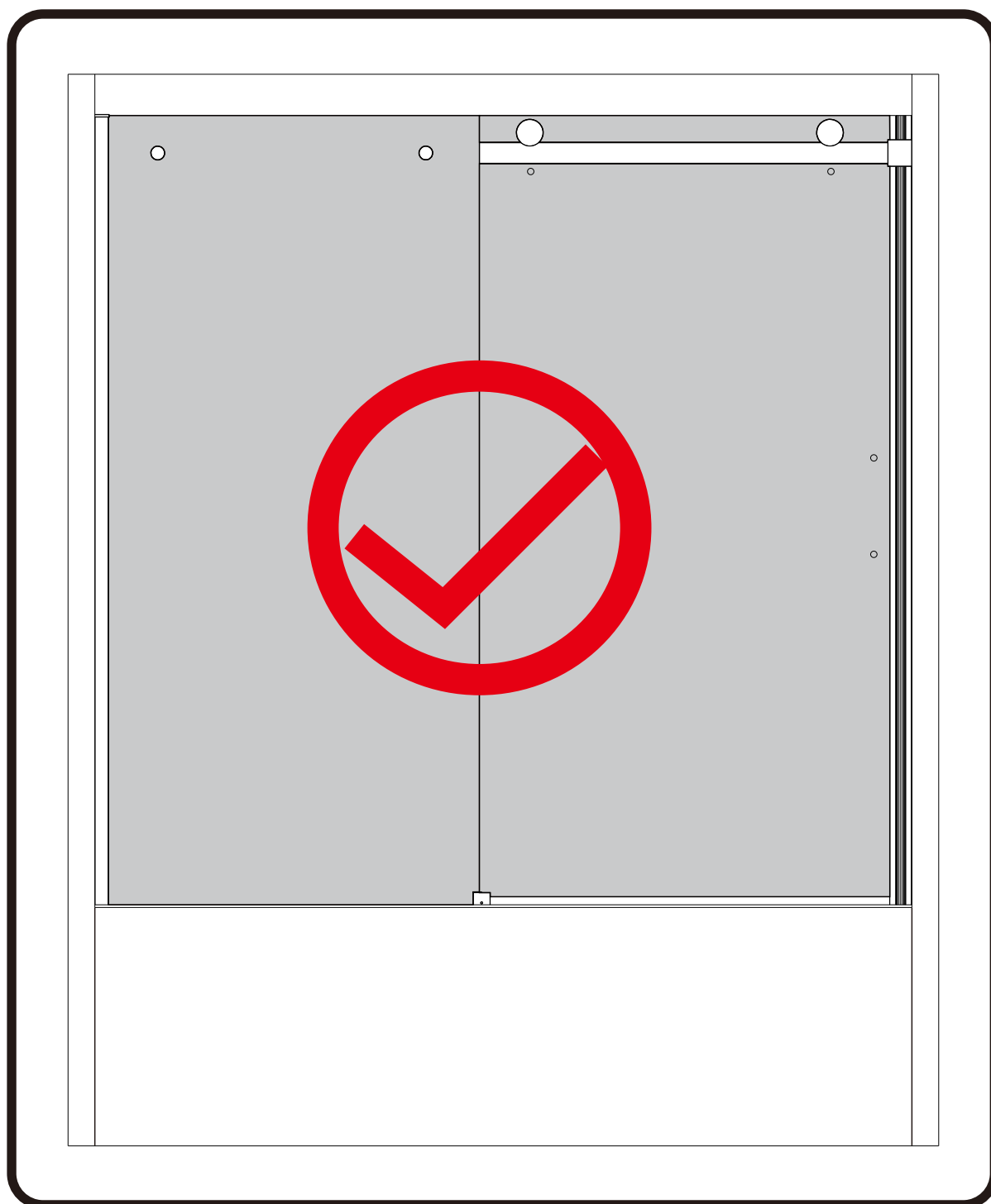
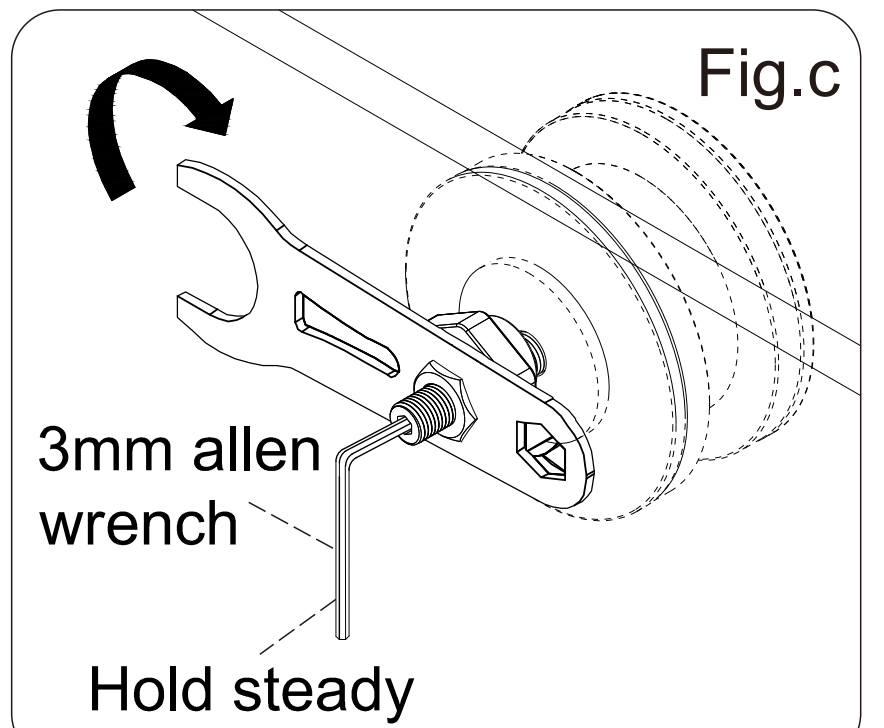


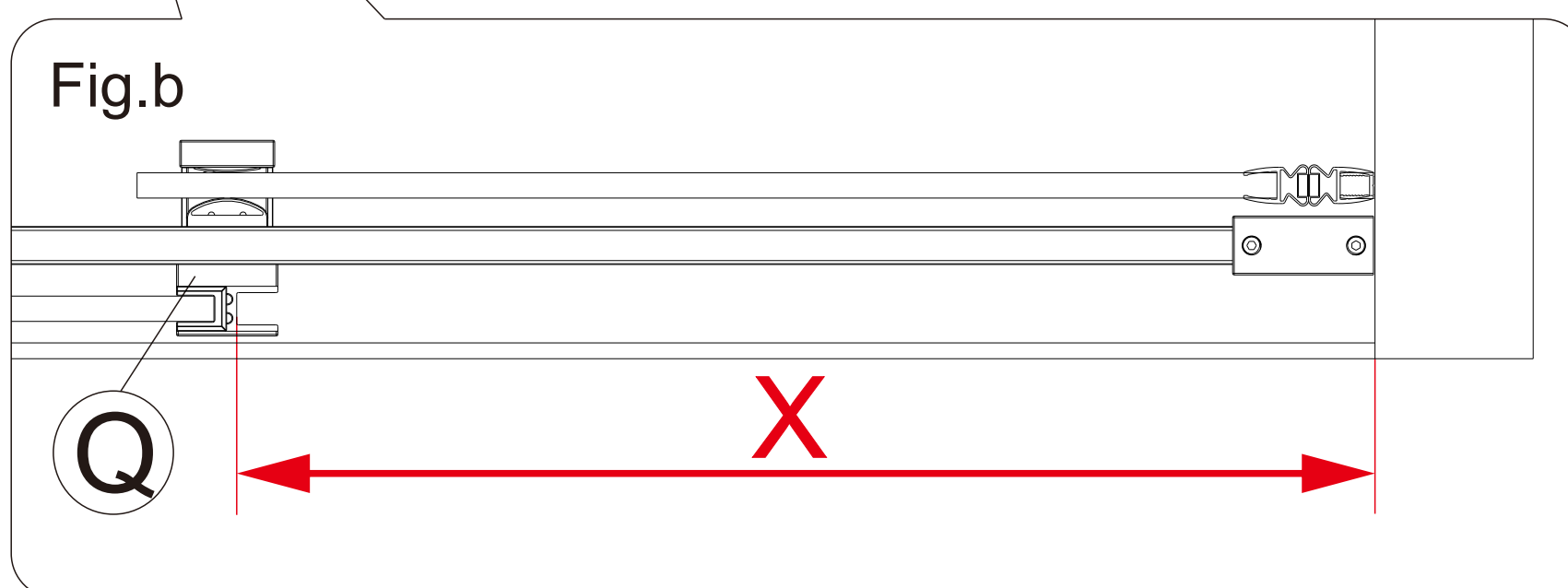
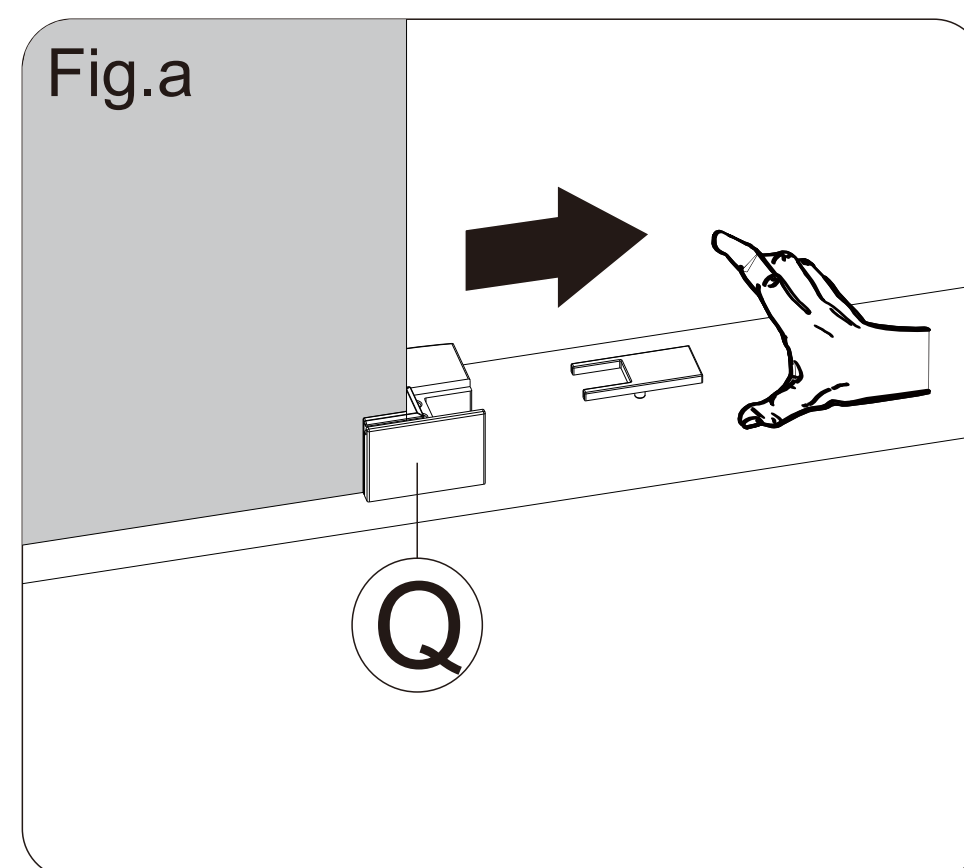
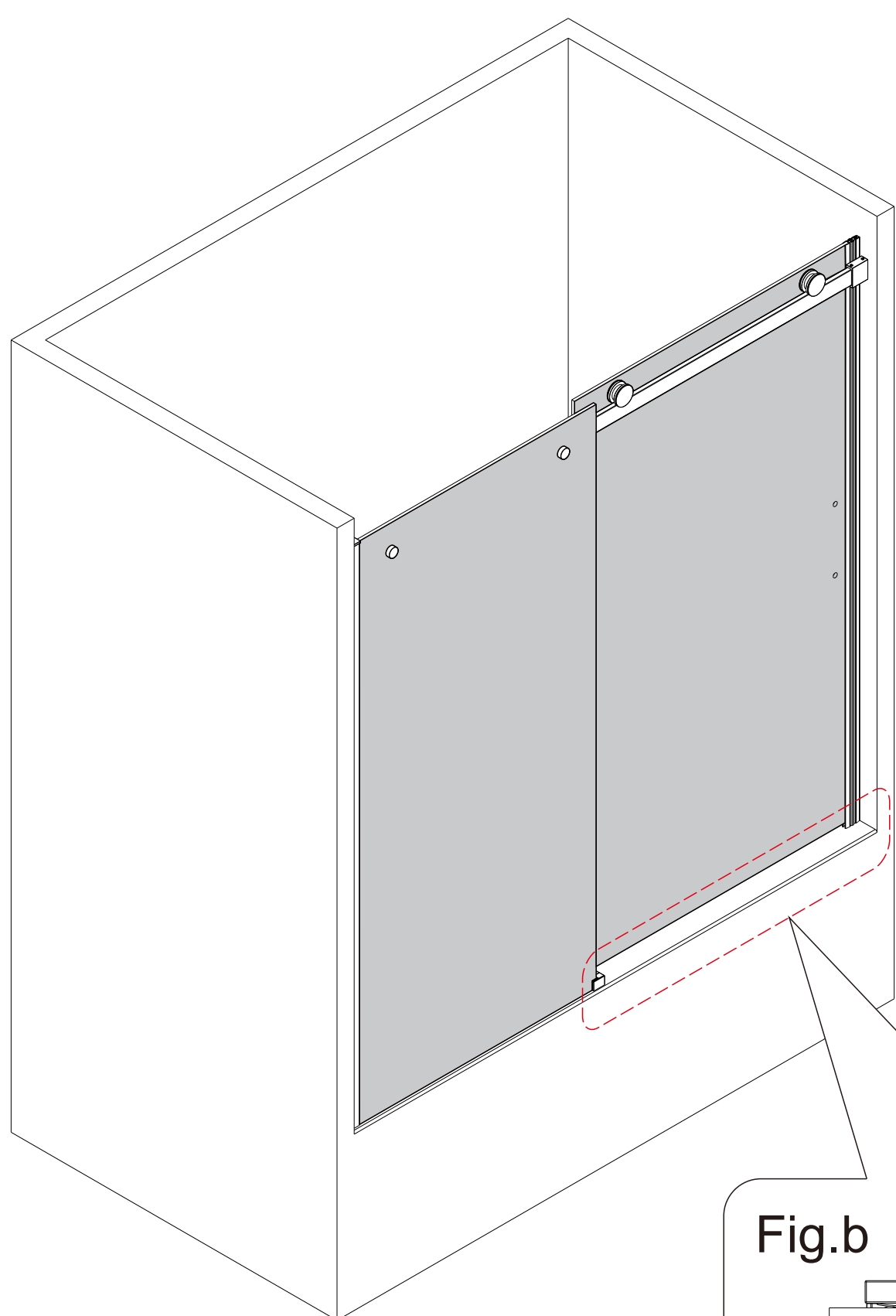
Fig.c



**23<sub>-1</sub>** Install the **Alu Threshold(R)**

NOTE

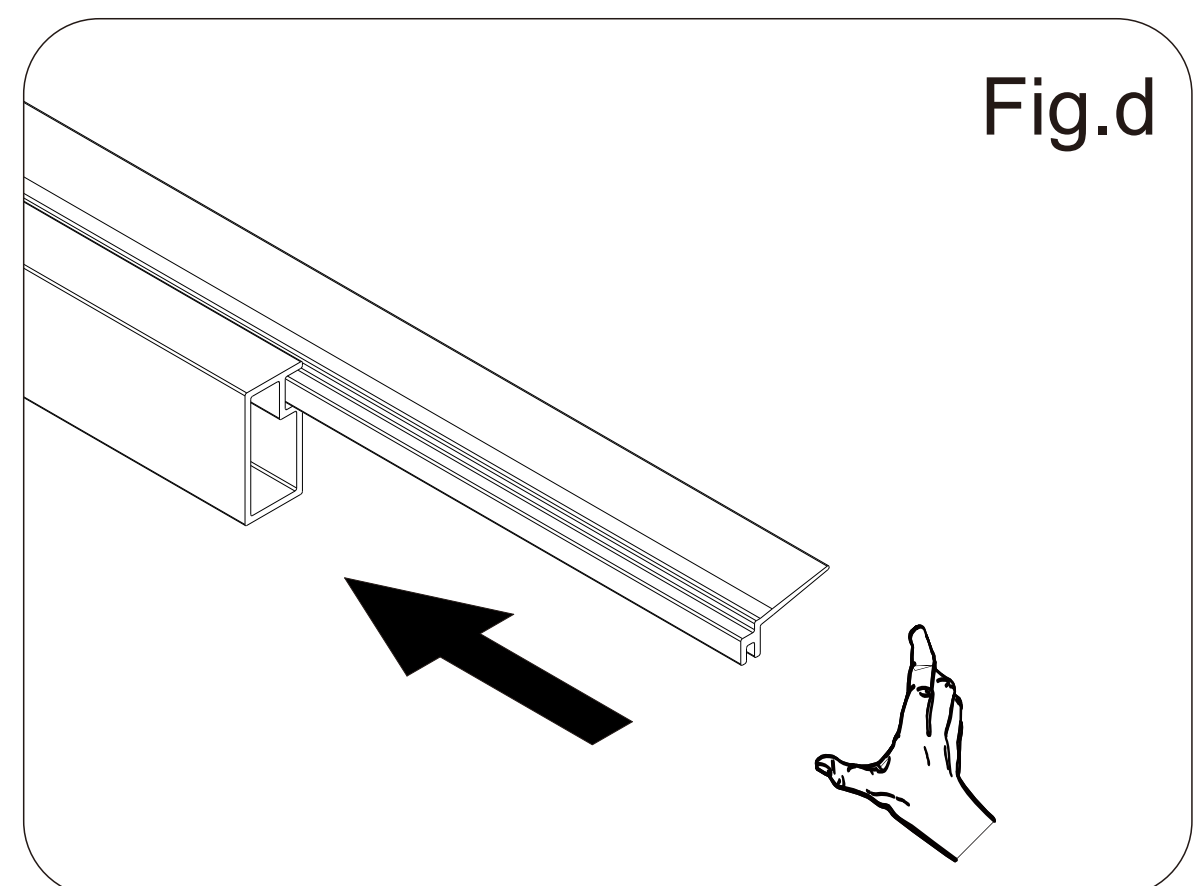
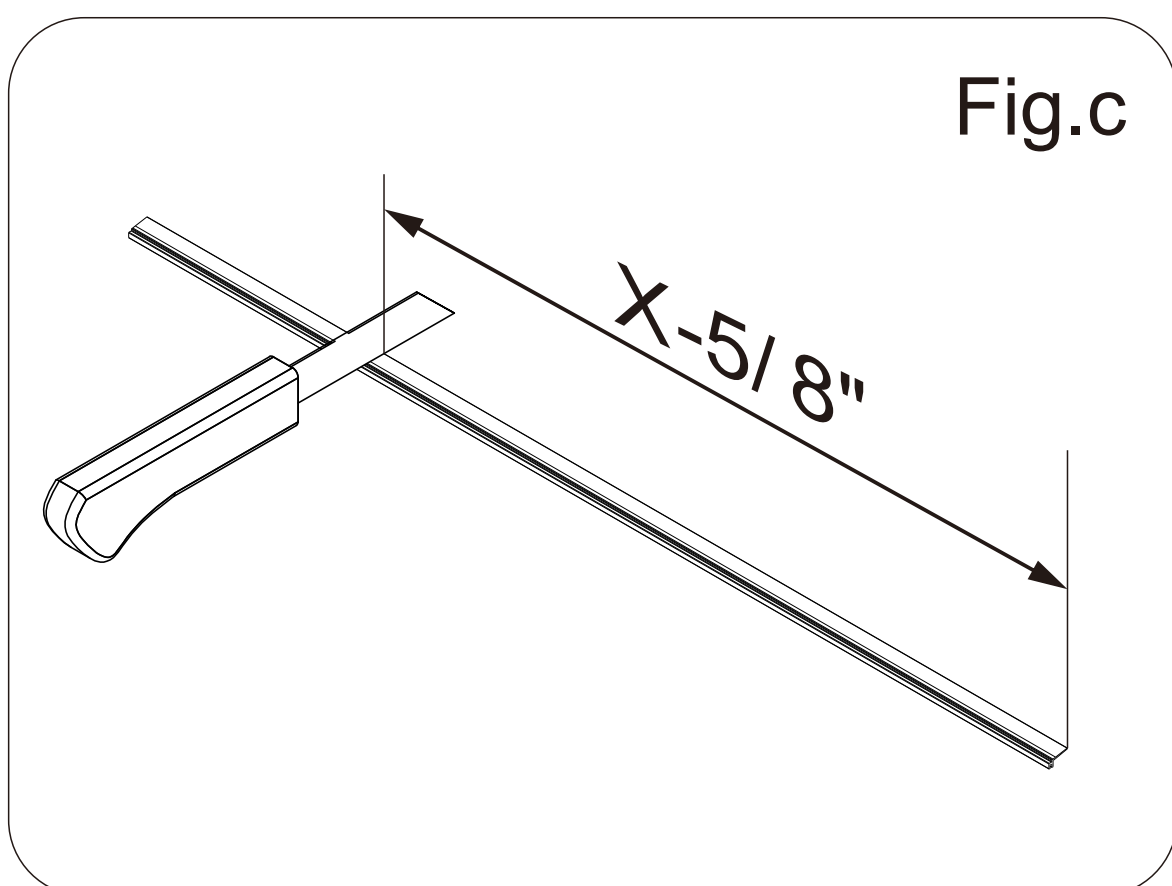
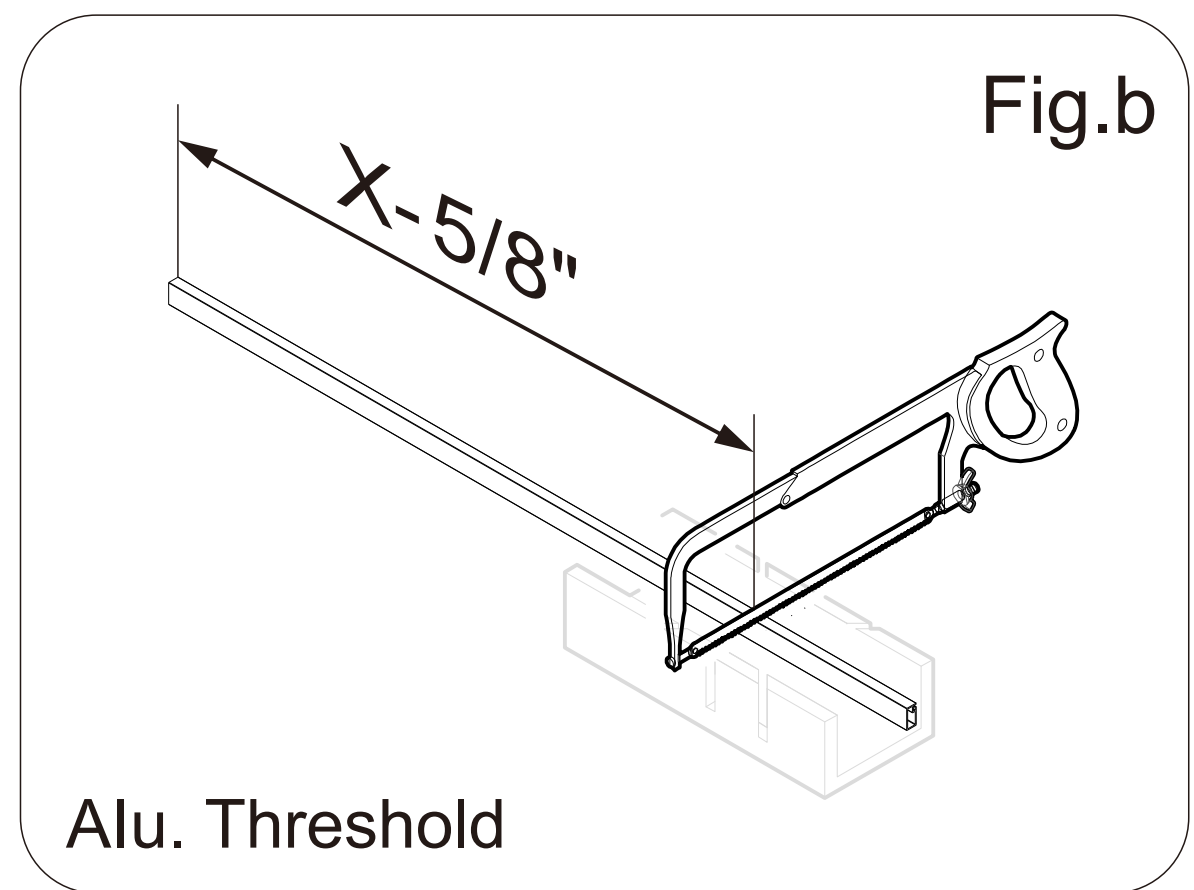
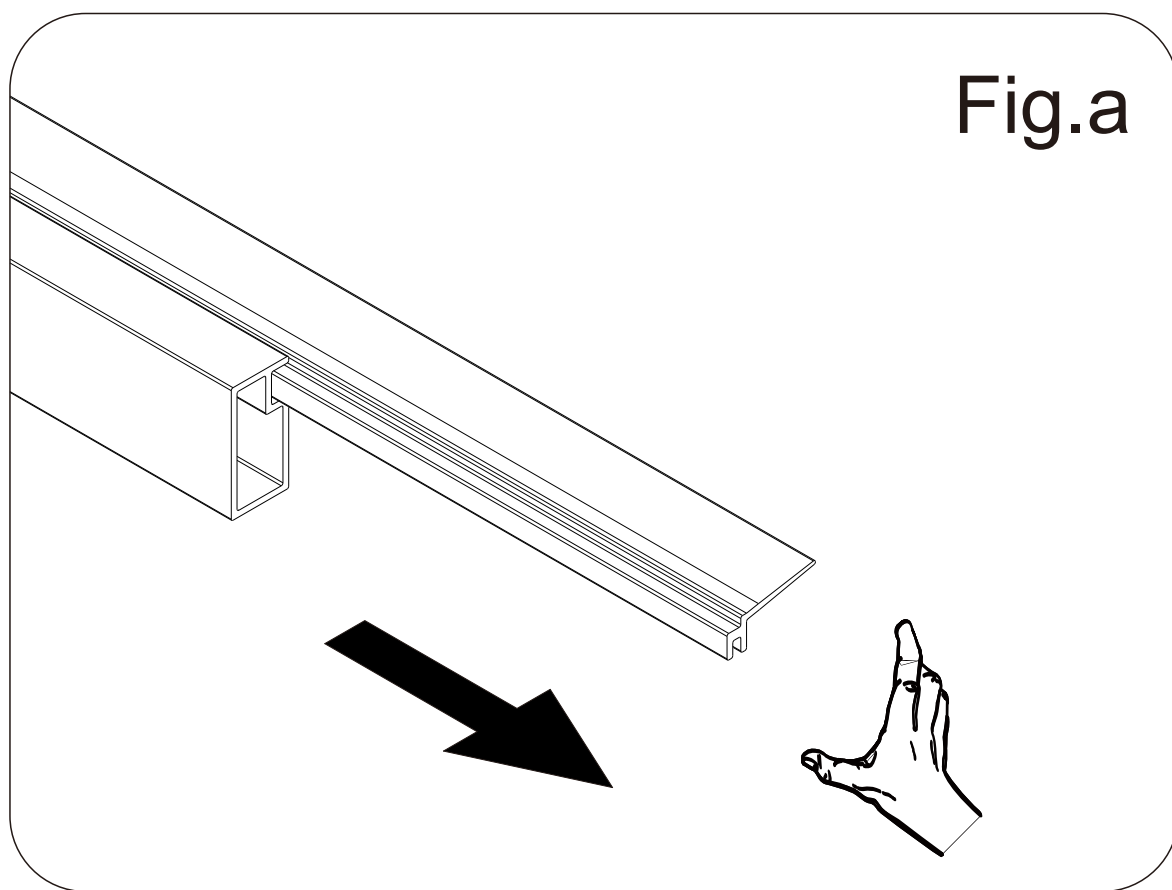
1. Take out of the cover cap from the **Guide Block(Q)** as Fig.a .
2. Measure the dimensions between the **Guide Block (Q)** slot and the wall as Fig.b .



**23<sub>-2</sub>** Cut the **Alu Threshold(R)** and bottom seal

NOTE

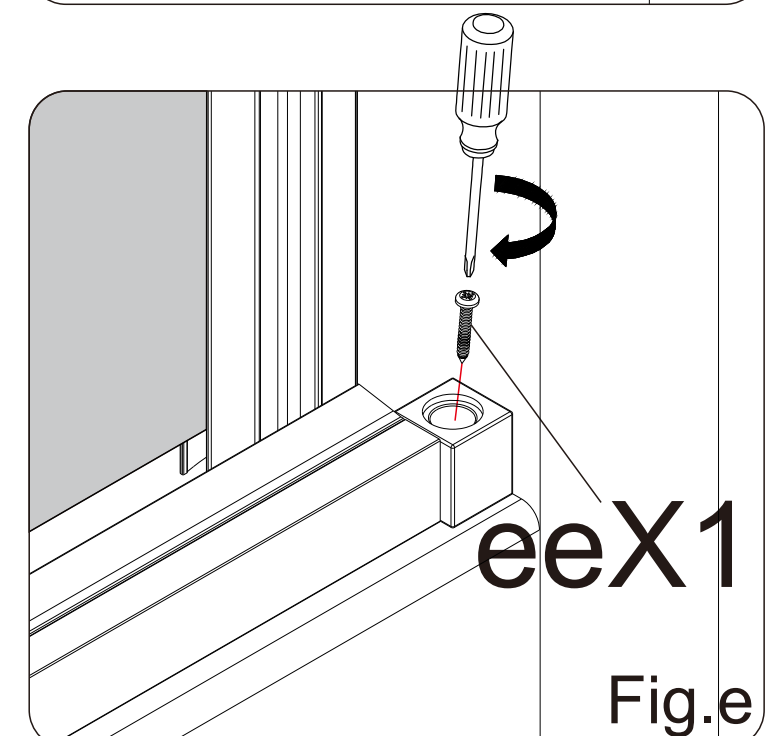
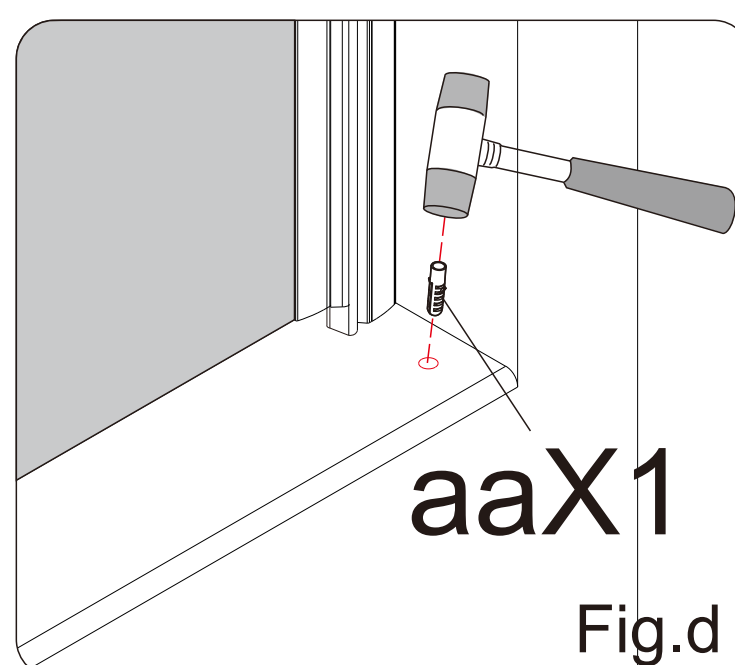
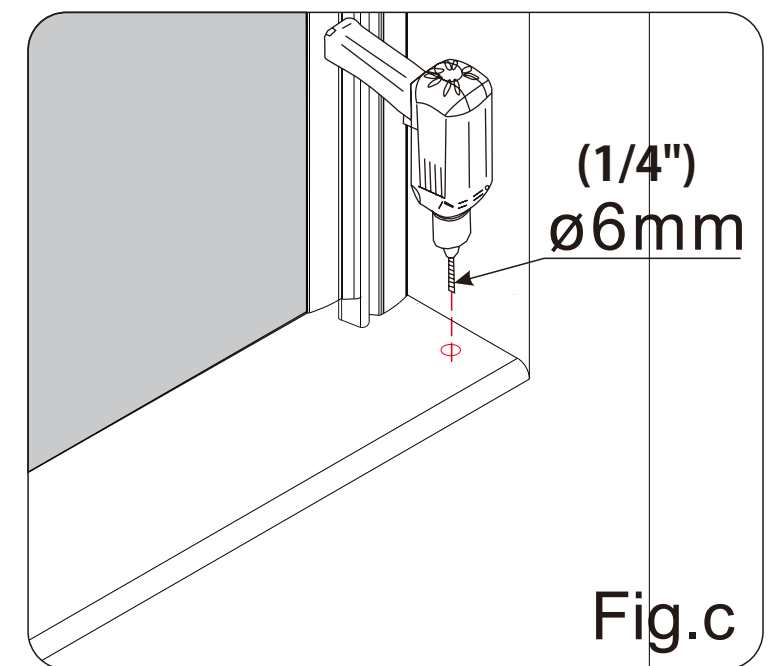
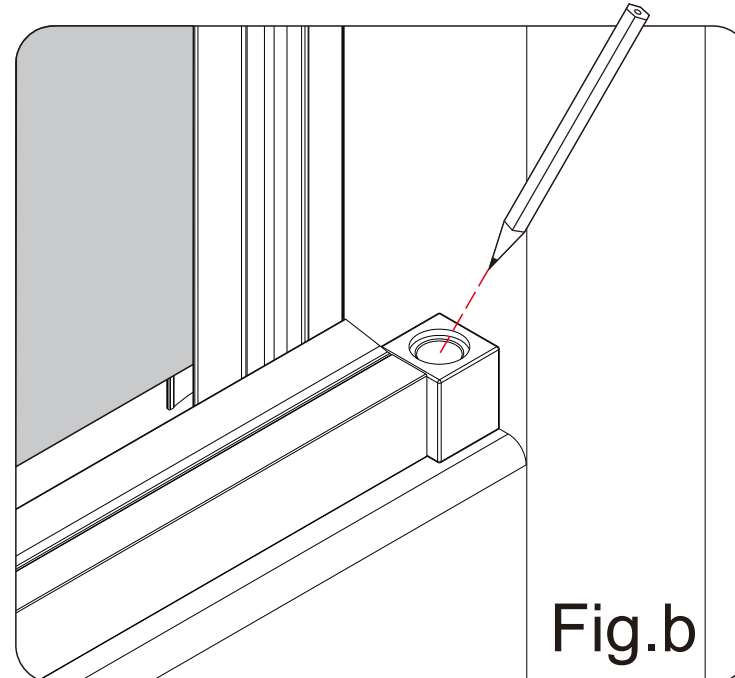
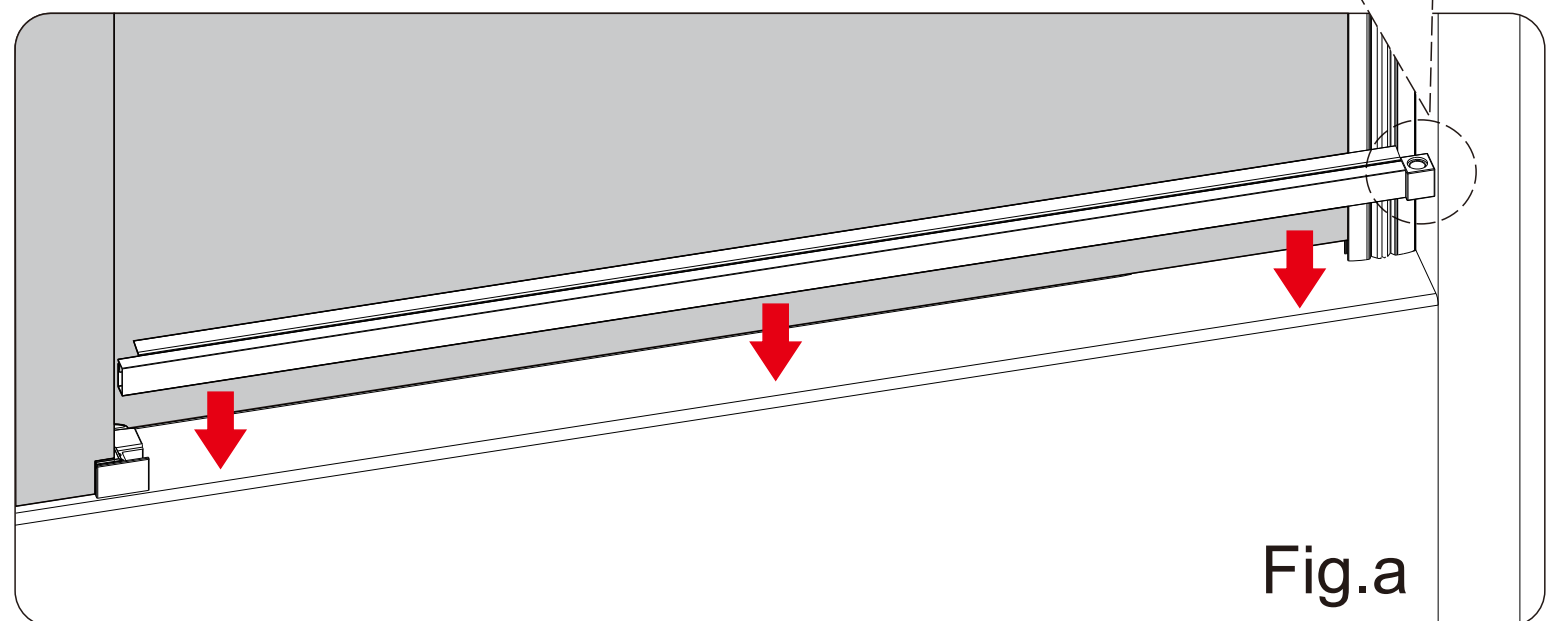
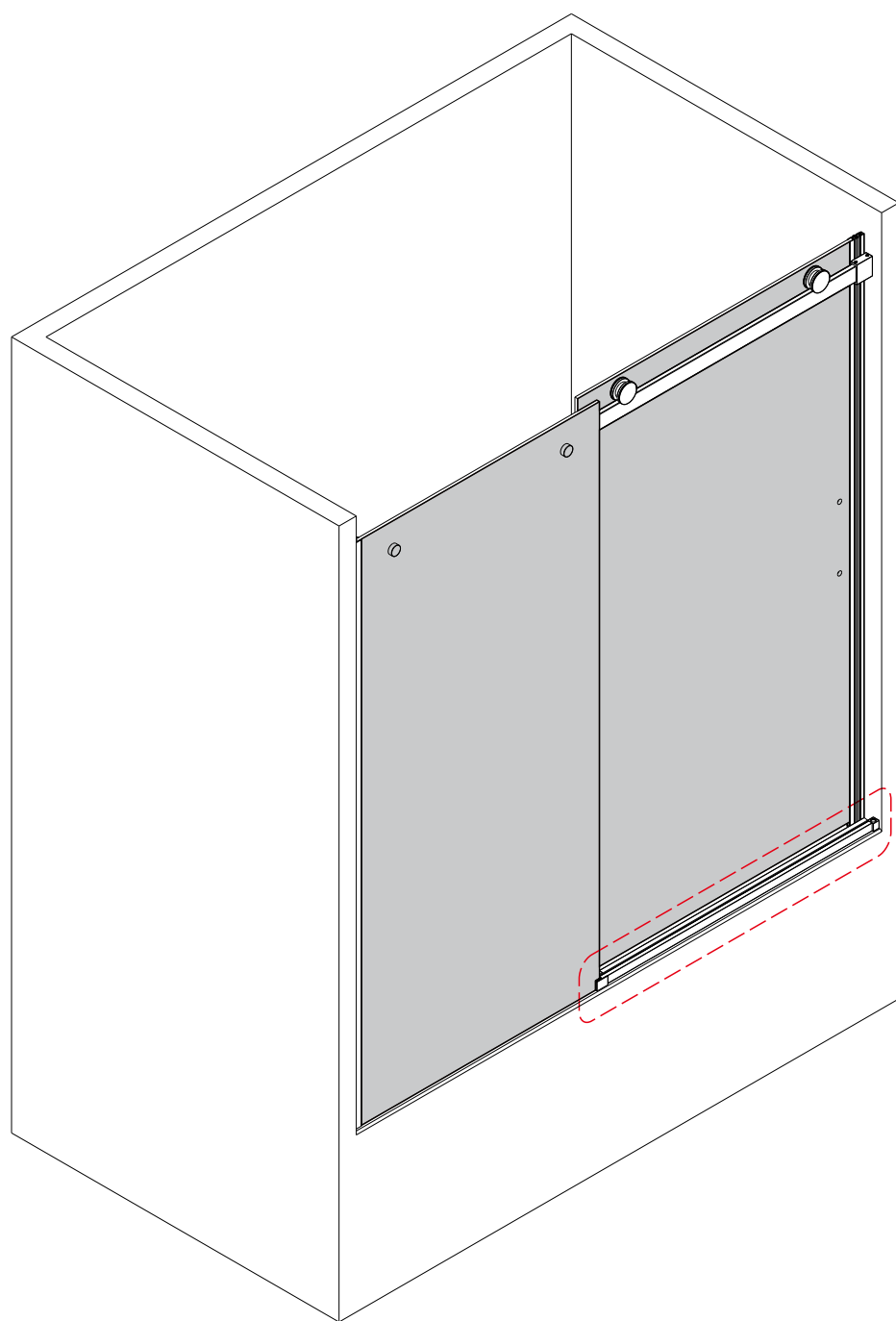
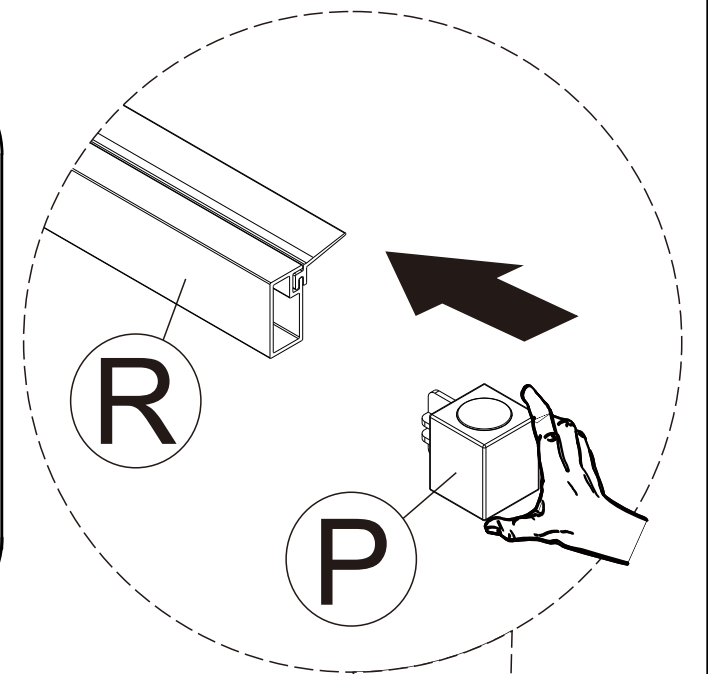
1. Take out of the bottom seal from the **Alu Threshold(R)** as Fig.a .
2. Cut the **Alu Threshold(R)** into the suitable size as Fig.b .
3. Cut the bottom seal into the suitable size as Fig.c .
4. put the bottom seal back to the alu threshold as Fig.d .



**23**<sub>-3</sub> Install the **Alu Threshold(L)**

NOTE

1. Place the **Alu Threshold(L)** into the suitable position as Fig.a .
2. Mark a fixing point on the hole of **End Block(P)** as Fig.b .
3. Drill hole on the marking point as Fig.b .
4. Insert the **Wall Anchor(aa)** as Fig.c .
5. Fasten the **End Block(P)** with the **Screw(ee)** as Fig.e .



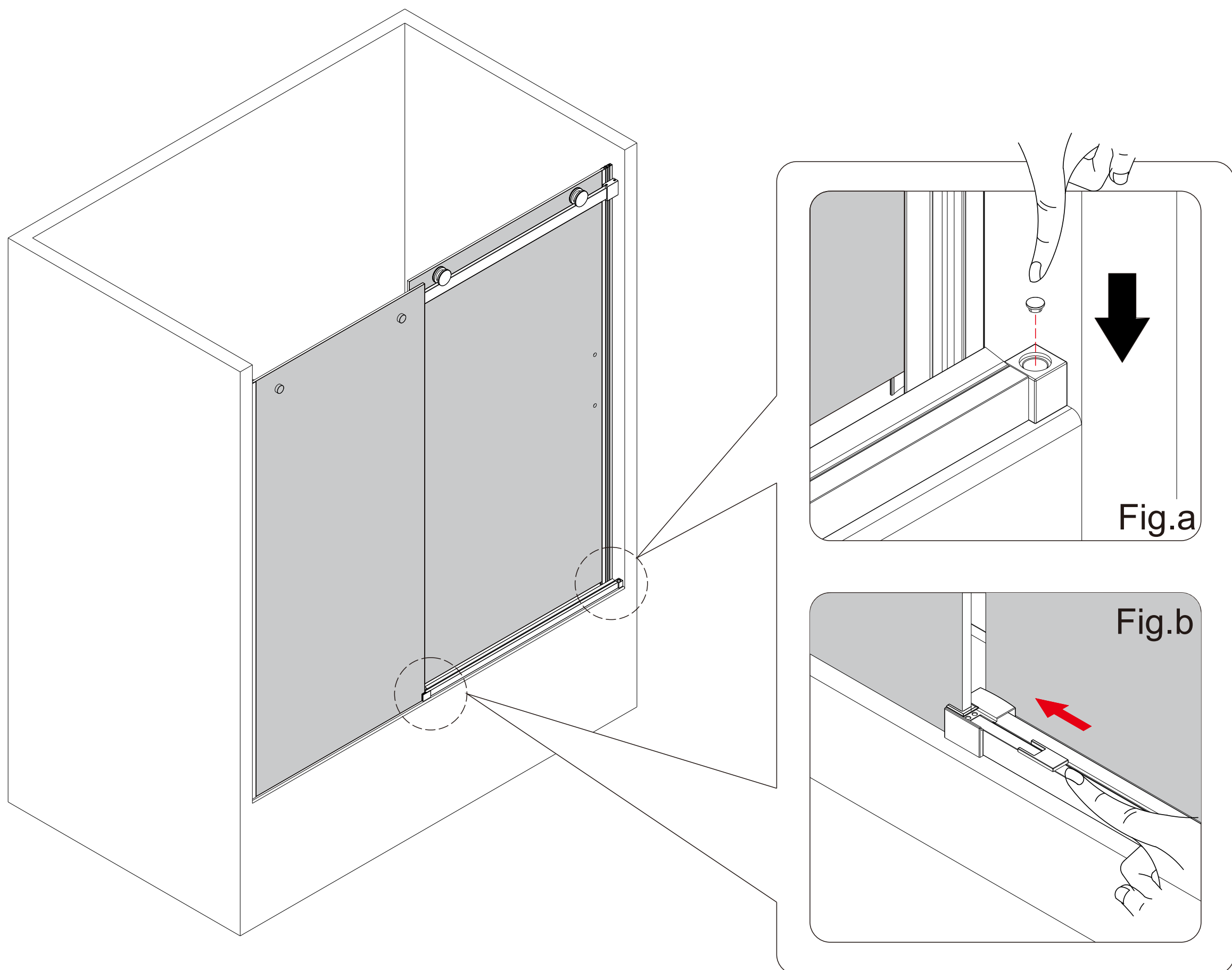


**23**<sub>-4</sub>

Install the cover caps for the **Guide Block(Q)** and **End Block(P)**

NOTE

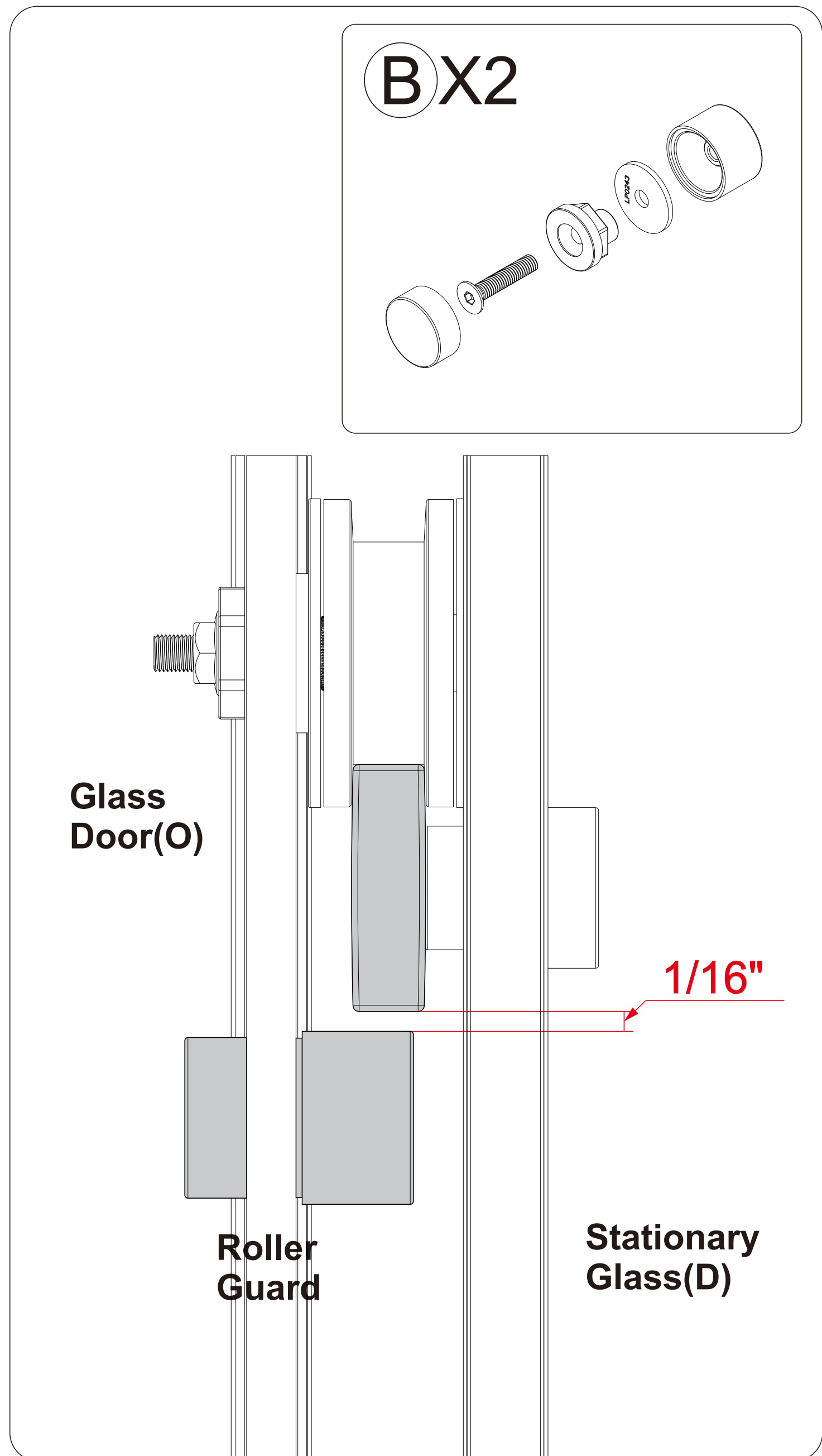
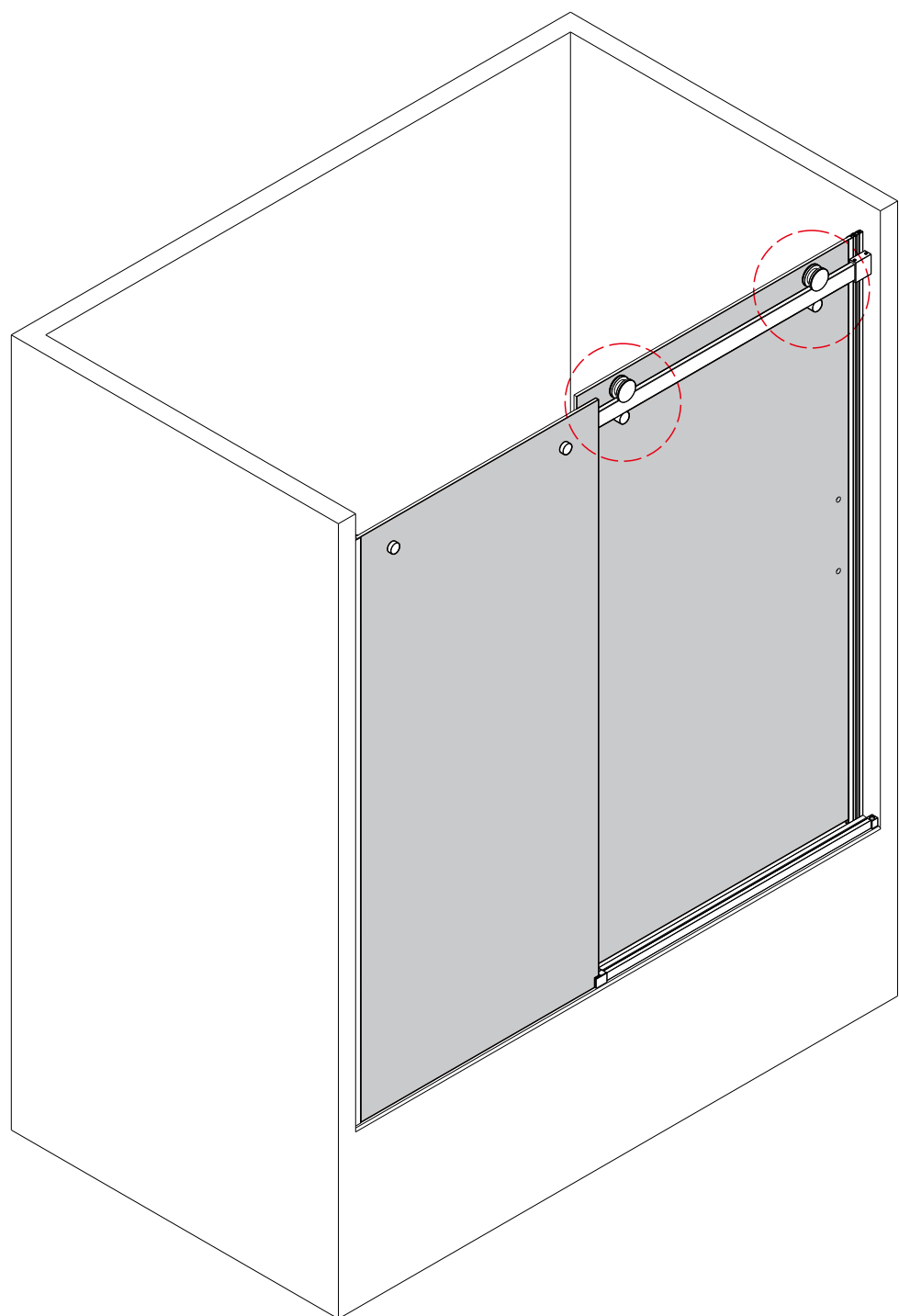
1. Fit the cover cap for the **End Block(P)** as Fig.a .
2. Fit the cover cap for the **Guide Block(Q)** as Fig.b



**24** Install **Glass clips(B)**.

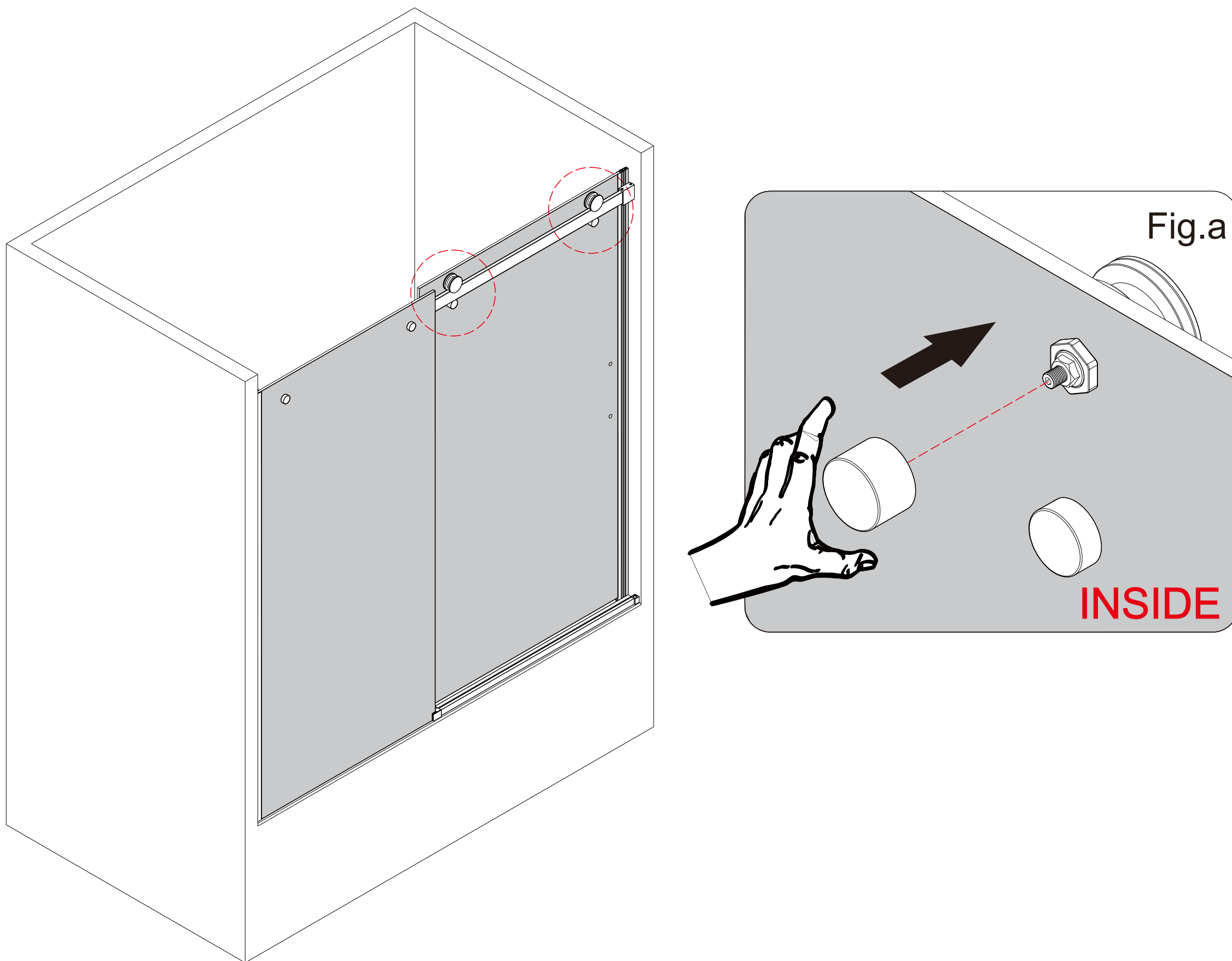
**NOTE**

Attach the **Roller Guard (B)** to the **Glass Door(O)** to prevent the door glass from being lifted off of the **Guide Rail (G)**. Adjust the **Roller Guard (B)** to within 1/64" beneath the **Guide Rail (G)**.



**25** Install the **Roller (I)** trim cover

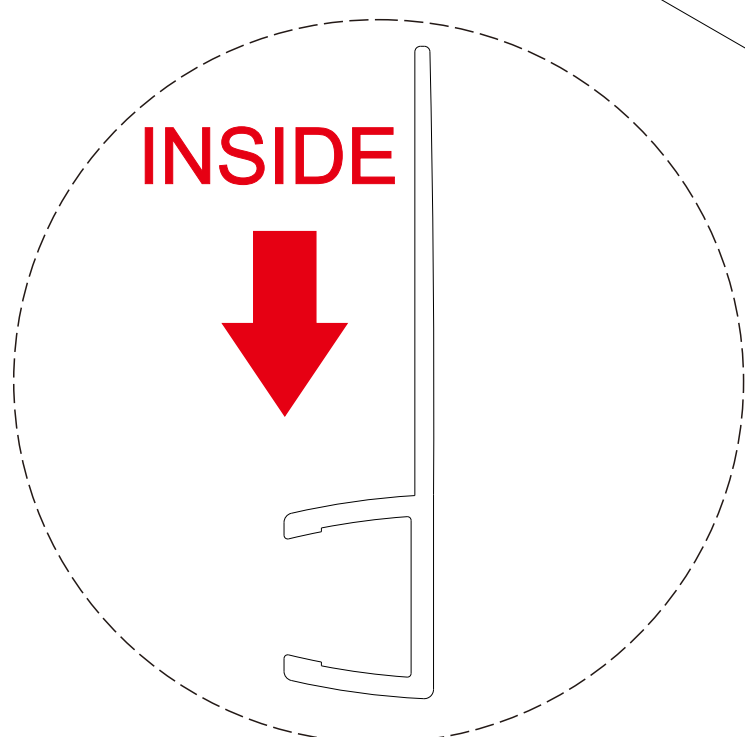
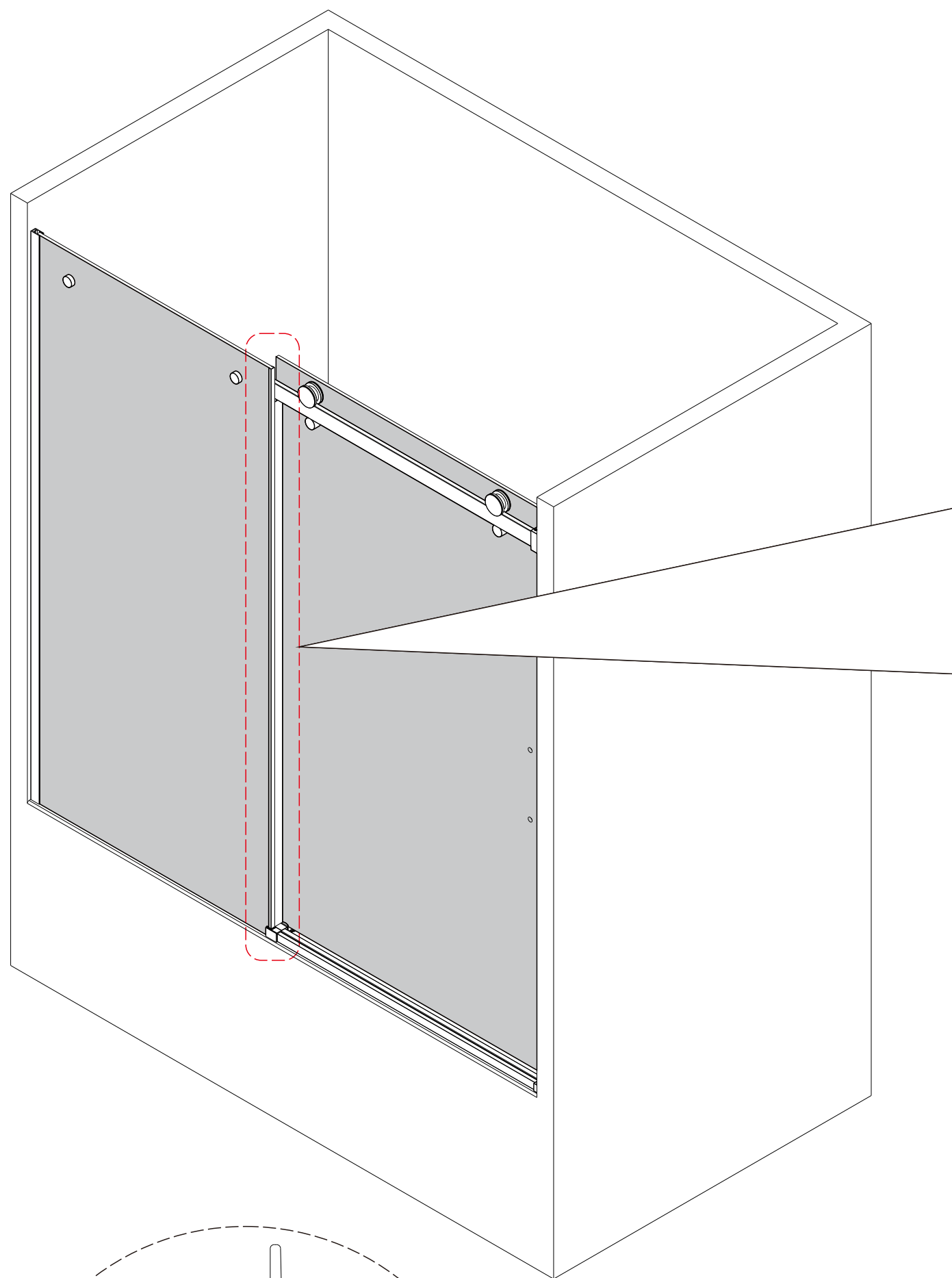
**NOTE** 1. Install the Roller trim cover on the **Rollers(I)** as Fig.a .



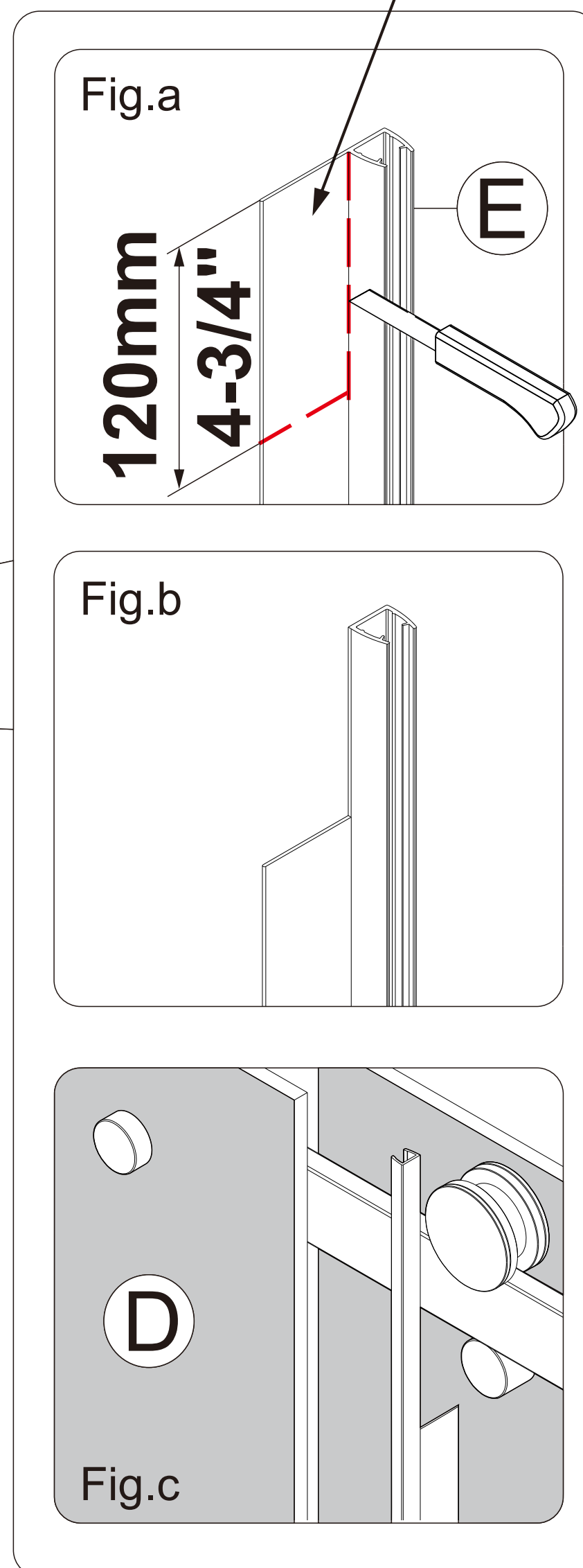
## 26 Install the **Anti-Water Strip(E)**

NOTE

1. Cut the fin of the **Anti-Water Strip(E)** into the suitable size as Fig.a and Fig.b.
2. Install the **Anti-Water Strip(E)** on the **stationary Glass(D)** as Fig.c .



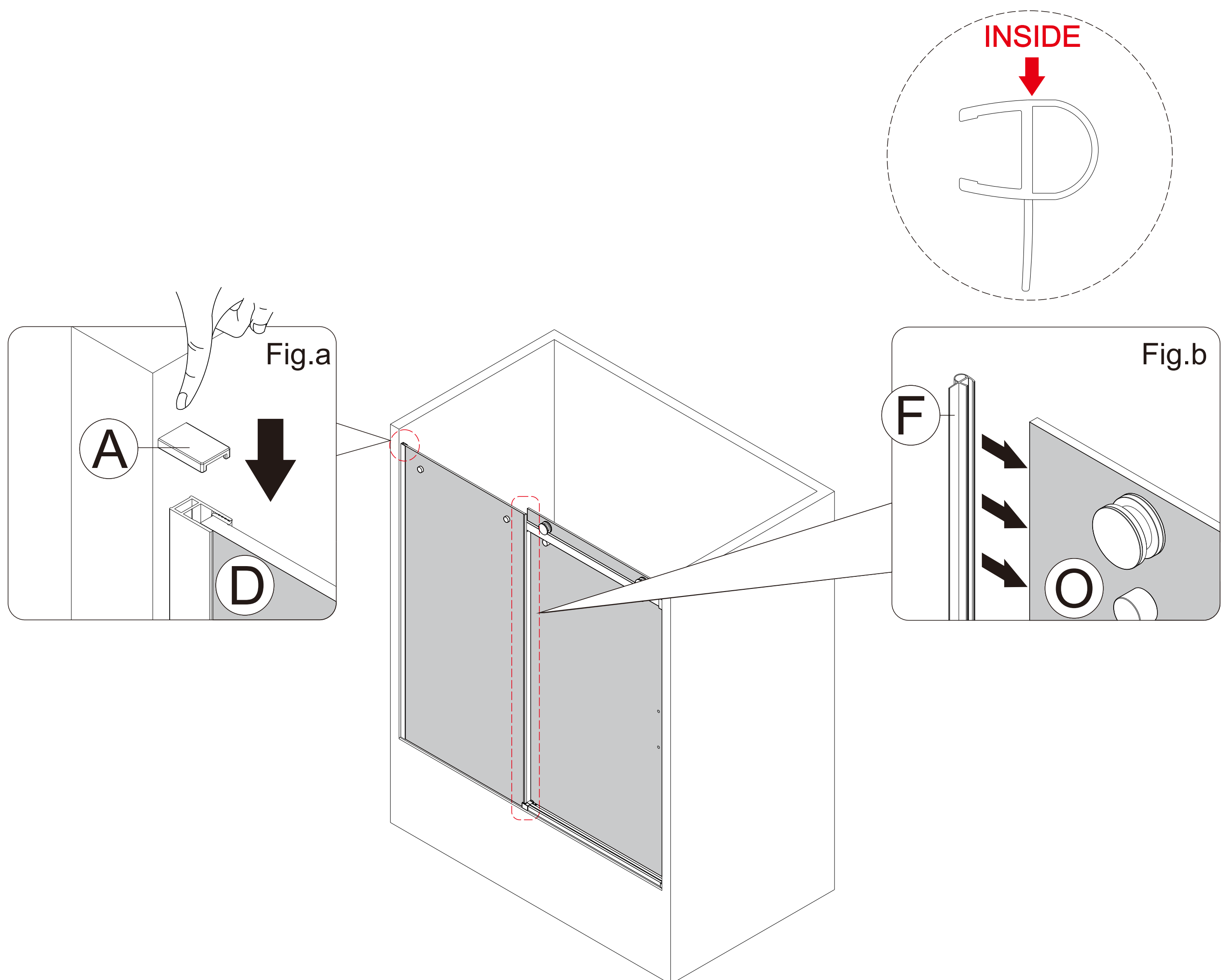
Cut according to the mounting direction



**27** Installing the **Wall Jamb cover(A)** and **Anti-Water Strip(F)**

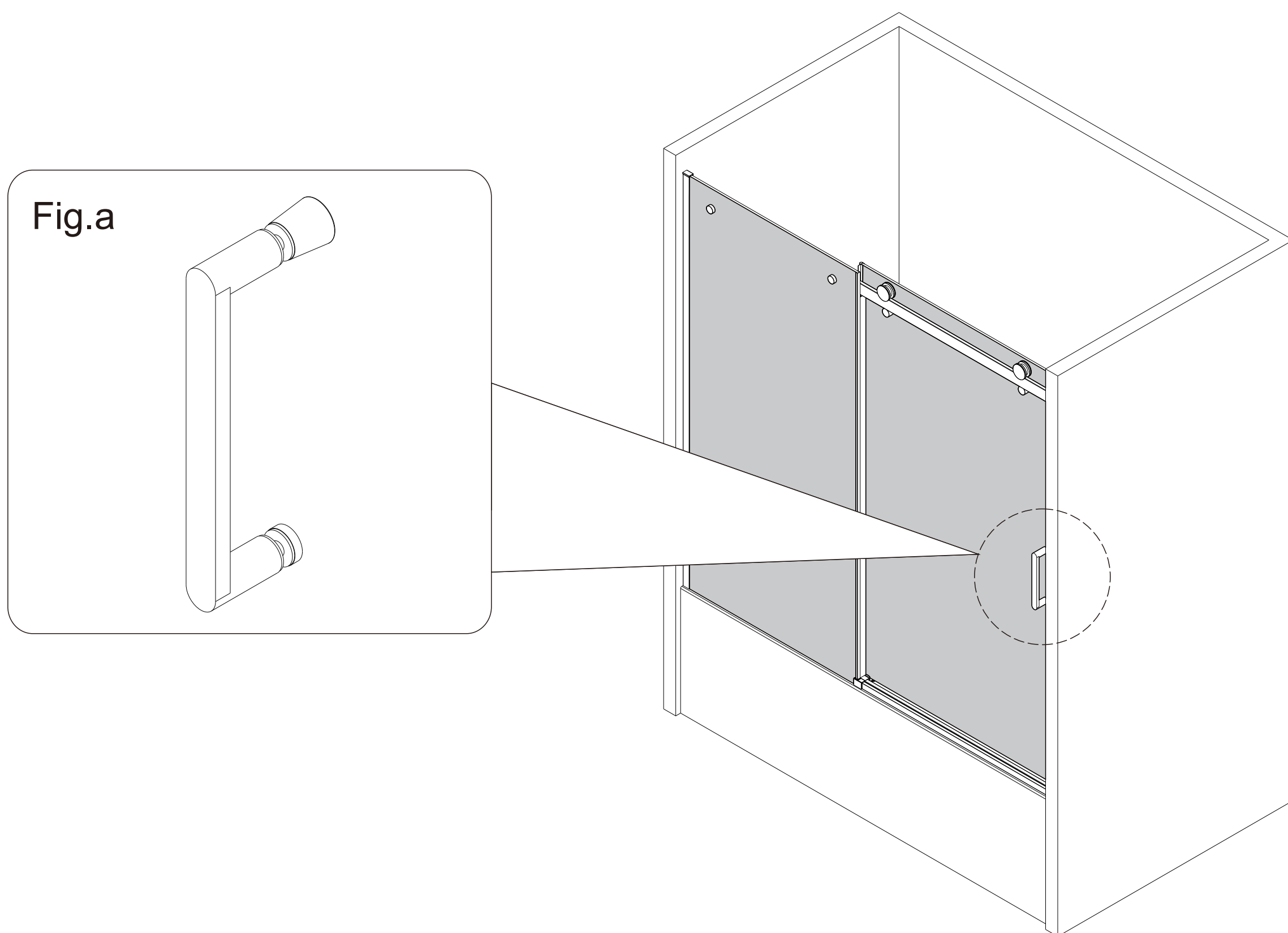
NOTE

1. Install the **Wall Jamb cover(A)** on the **Wall Jamb(N)** as Fig.a .
2. Install the **Anti-Water Strip(F)** on the **Glass Door(O)** as Fig.b .



**28** Install the **Handle(M)**

**NOTE** 1. Install the **Handle(M)** on the **Glass Door(O)** as Fig.a .

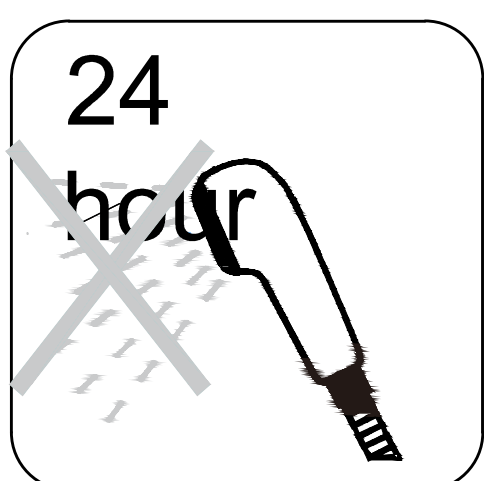
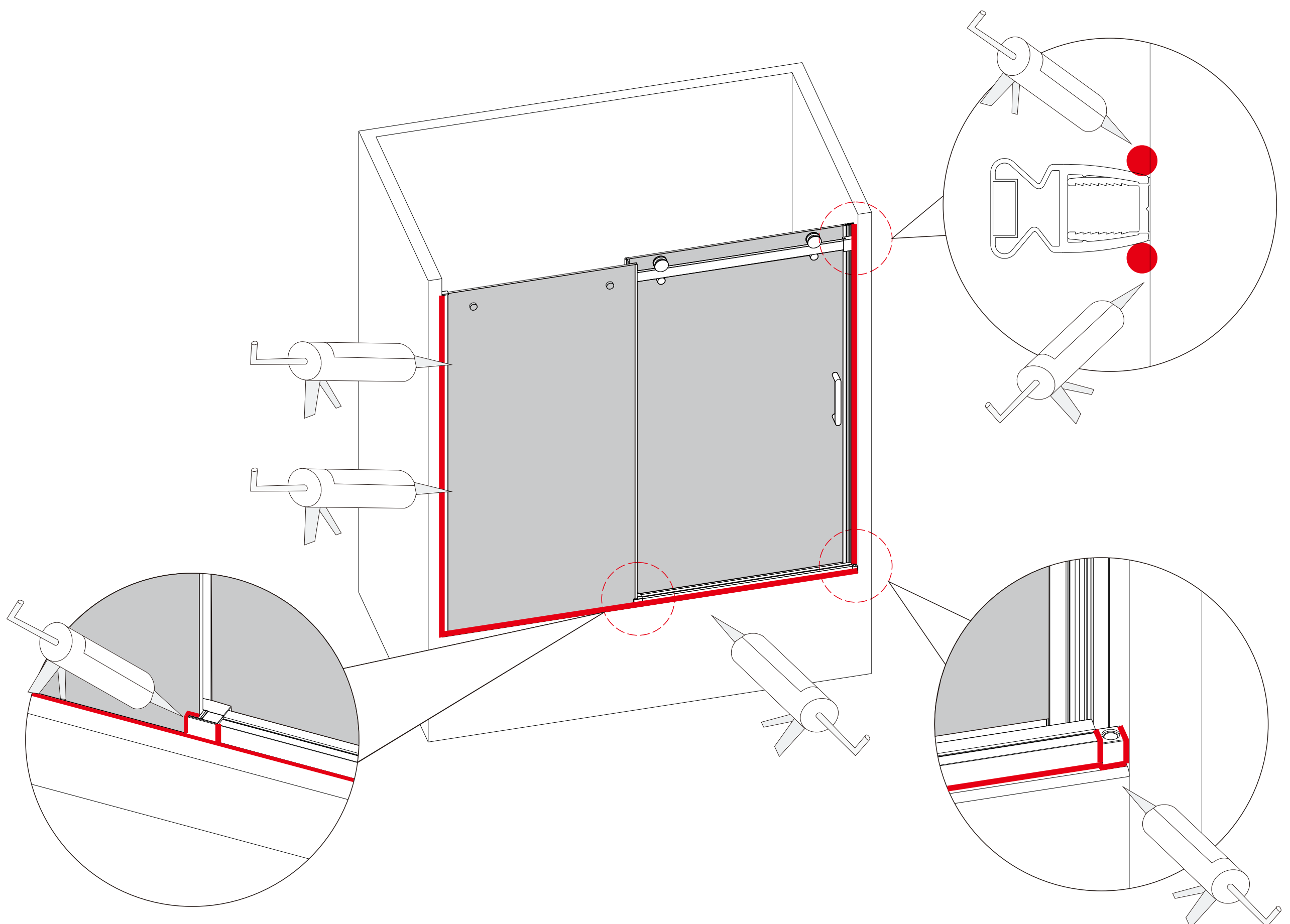


# 29 SEALING

**NOTE** The surfaces need to be clean and free of debris before applying silicone.

**NOTE** Make sure that the Shower door closes tightly and opens smoothly. Apply a good quality silicone sealant along the **Wall Jamb(N)** and **Alu. Threshold(R)**.

**!** Allow 24 hours for the silicone to cure before using the shower.



**!** Apply Silicone Sealant, (not supplied).



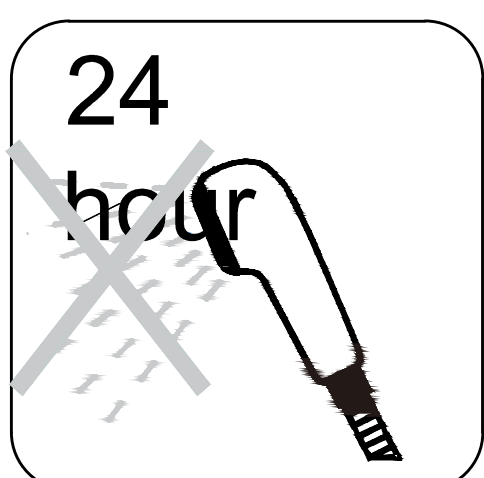
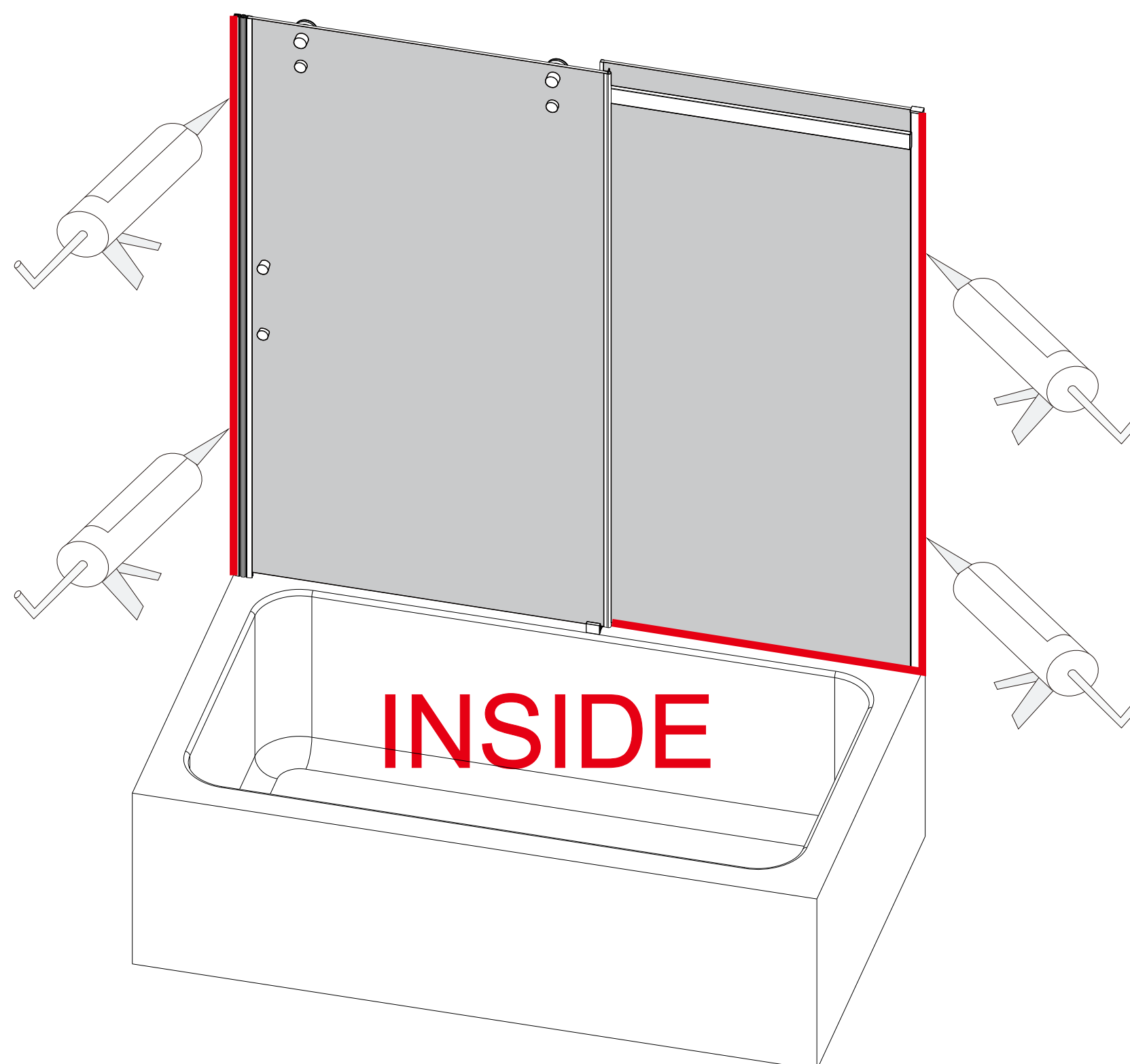
The shower room needs to be sealed inside and out

**30** SEALING

**NOTE** The surfaces need to be clean and free of debris before applying silicone.

**NOTE** Make sure that the Shower door closes tightly and opens smoothly. Apply a good quality silicone sealant along the **Wall Jamb(N)** and **Alu. Threshold(R)**.

**!** Allow 24 hours for the silicone to cure before using the shower.



**!** Apply Silicone Sealant, (not supplied).



The shower room needs to be sealed inside and out