

USER'S MANUAL



USER'S MANUAL Shower Chair

THIS INSTRUCTION BOOKLET CONTAINS **IMPORTANT** SAFETY INFORMATION. PLEASE READ AND KEEP FOR FUTURE REFERENCE.

Please give us a chance to make it right and do better!
Contact our friendly customer service department for help first.
Replacements for missing or damaged parts will be shipped ASAP!

Contact Us!

Do NOT return this item.
Contact our friendly customer service department for help first.

Before You Start

- ⚠ Please read all instructions carefully.
- ⚠ Retain instructions for future reference.
- ⚠ Separate and count all parts and hardware.
- ⚠ Read through each step carefully and follow the proper order.
- ⚠ We recommend that, where possible, all items are assembled near to the area in which they will be placed in use, to avoid moving the product unnecessarily once assembled.
- ⚠ Always place the product on a flat, steady and stable surface.
- ⚠ Keep all small parts and packaging materials for this product away from babies and children as they potentially pose a serious choking hazard.

USER'S MANUAL

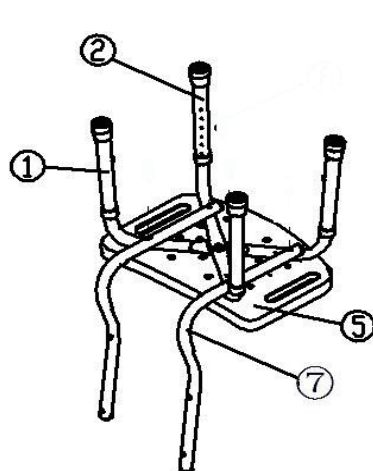


Figure 2

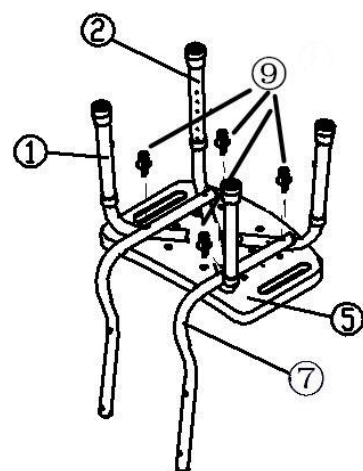


Figure 3

5. Align the back to back support tubes. Loosely install the four mounting screws through vaulted washers, the back support tubes and into the back. Refer to figure 4.
6. Once all mounting screws are inserted, tighten the screws firmly, but do not force. If tightening screw too firmly may damage the units.

DE office : FDS GmbH, Neuer Hötigbaum 36, 22143 Hamburg, Deutschland
FR office : 26 RUE DU VERTUQUET, 59960 NEUVILLE EN FERRAIN, FRANCE

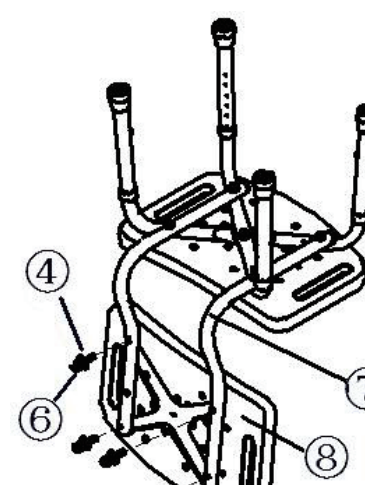


Figure 4

Hardware Package :

Item	Description	Unit
①	Bottom leg 1	1
②	Bottom leg 2	1
③	Screw M6*40	1
④	Vaulted washer	9
⑤	Seat	1
⑥	Short screw M6*35	4
⑦	Back support tube	2
⑧	Back	1
⑨	Screw M6*60	4

NOTE: MAKE SURE ALL FOUR LEGS ARE ADJUSTED TO THE SAME HEIGHT AND IS THE SEAT OPENED TO FULL EXPANSION BEFORE USE.

Welcome to visit our website and purchase our quality products!

We sincerely solicit you to go back to our shop and leave a good rating in just a simple click. It would be quite encouraging if you could kindly do so like below:
★★★★★ Great products so far
February 24, 2019
Great products so far. Fast delivery, easy setup, and working without any issues.

EASY SHOPPING EXPERIENCE, GOOD PRODUCTS and EFFICIENT SERVICE!

- * Reward Points
- * Exclusive Customer Service
- * Personalized Recommendations
- * Permanent Shopping Cart
- * Order History

5 Star Rating



We would like to extend our heartfelt thanks to all of our customers for taking time to assemble this product and giving us valuable feedbacks.

THANK YOU

Dealer: This manual **MUST** be given to the user of the Shower Chair.

USER: Before using this Shower Chair, read this manual and save for future reference.

GENERAL WARNINGS

Rubber tips **MUST** be in contact with tub floor at all times.
Always inspect the Shower Chair to ensure that it is properly positioned and stable before using. **DO NOT** use if when it is wobbly or unstable.
Check rubber tips for rips, tears, crack or wear. If any of these conditions exist, replace rubber tips immediately.
The Shower Chair has a weight limitation of 150 kg

ASSEMBLING

1. Put seat upside down on the ground /floor.
2. Install mounting screw through vaulted washer, top leg, bottom leg and tighten on the seat. Refer to Figure 1.

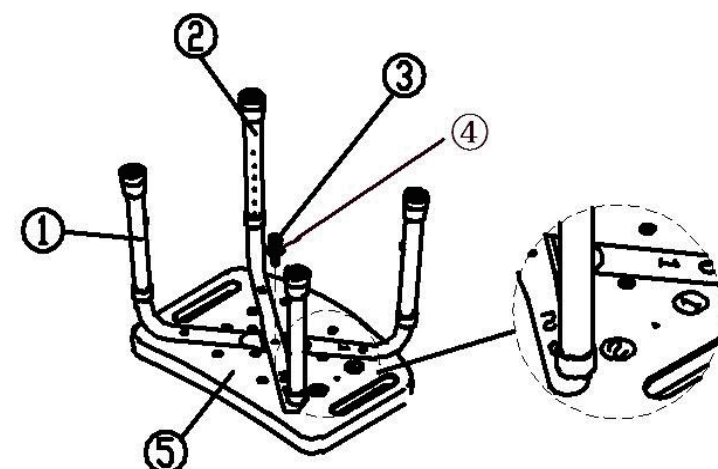


Figure 1

3. Align back support tubes above the seat legs. Refer to figure 2.
4. Install mounting screw through top leg or bottom leg and tighten on the seat. Refer to Figure 3.