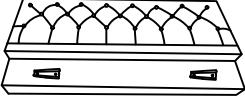
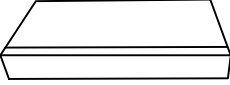
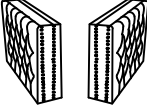

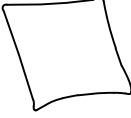



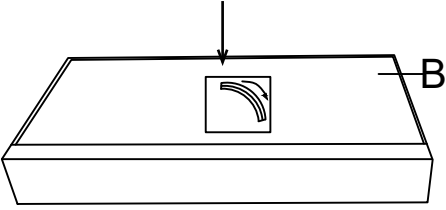
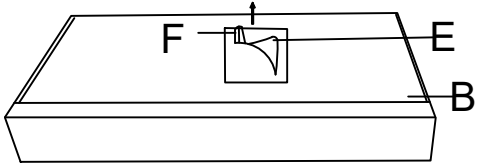
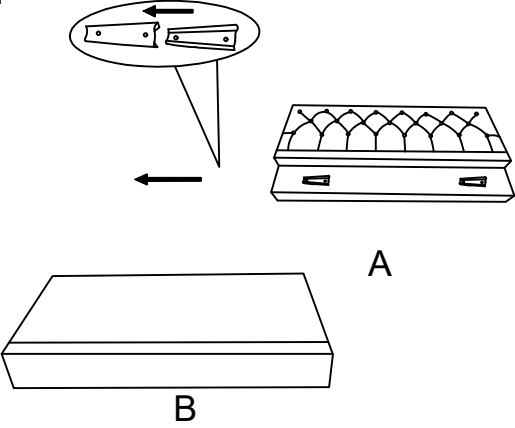
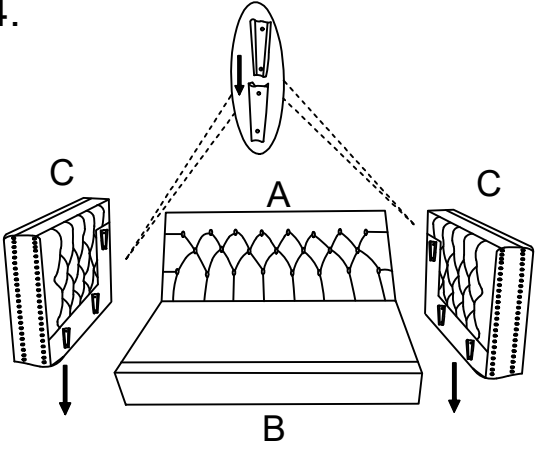
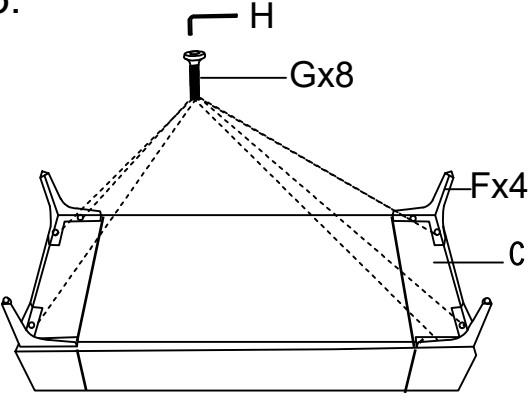


# Assembly Instructions

(2 cartons L1,L2)

<b>Ax1</b>  <b>C2</b>	<b>Bx1</b>  <b>C2</b>	<b>Cx1(LxR)</b>  <b>C1</b>	<b>Dx2</b>  <b>C2</b>
<b>Ex2</b>  <b>C2</b>	<b>Fx4</b>  <b>C2</b>	<b>Gx4</b>  <b>C2</b>	<b>Hx1</b>  <b>C2</b>

Note: Put all the screws into the hole site, and then tighten them. Do not tighten one by one.

<p>1. Parts inside open here</p> 	<p>2.</p> 
<p>3.</p> 	<p>4.</p> 
<p>5.</p> 	<p>6.</p> 