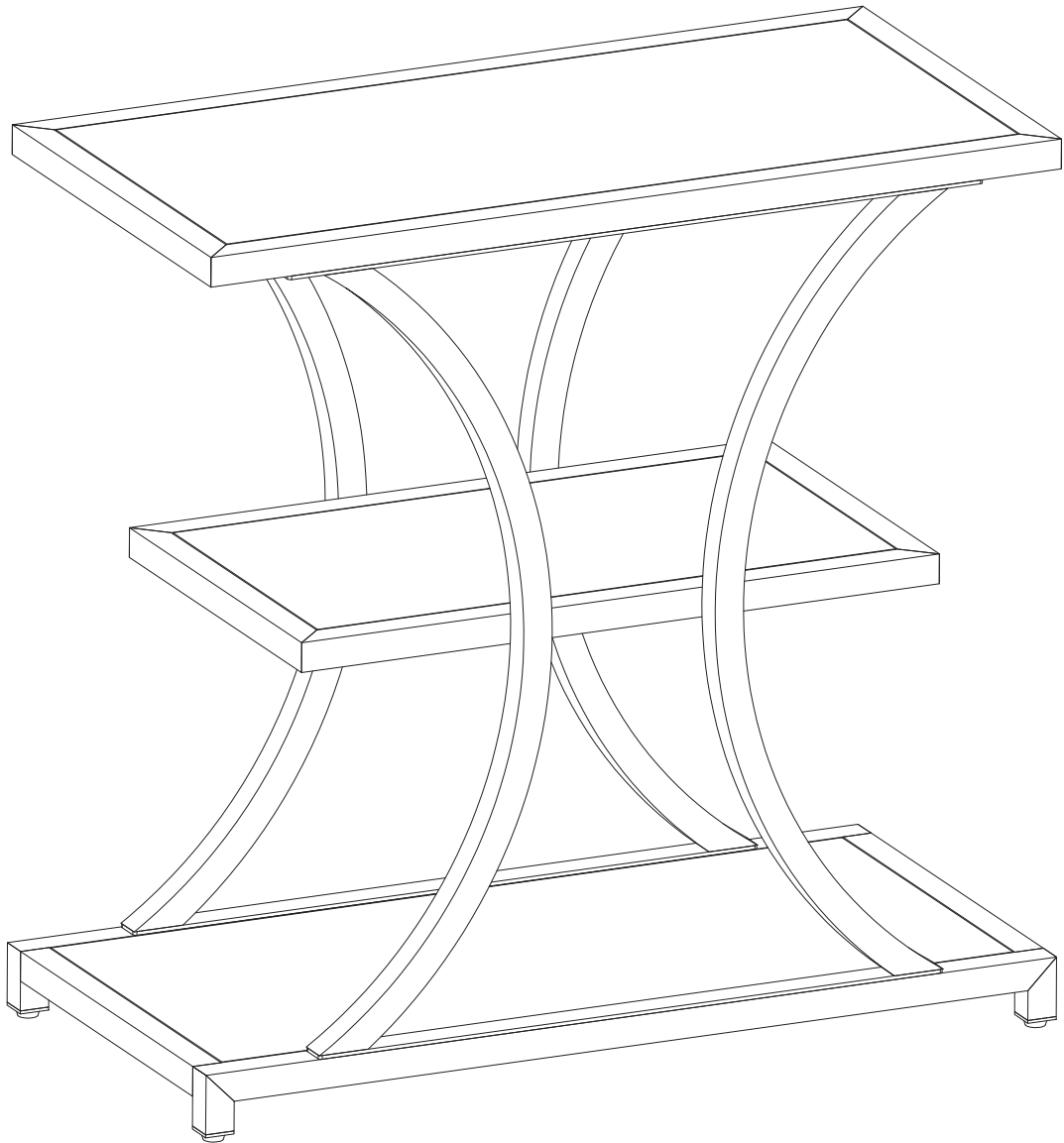


# Assembly Instructions



---

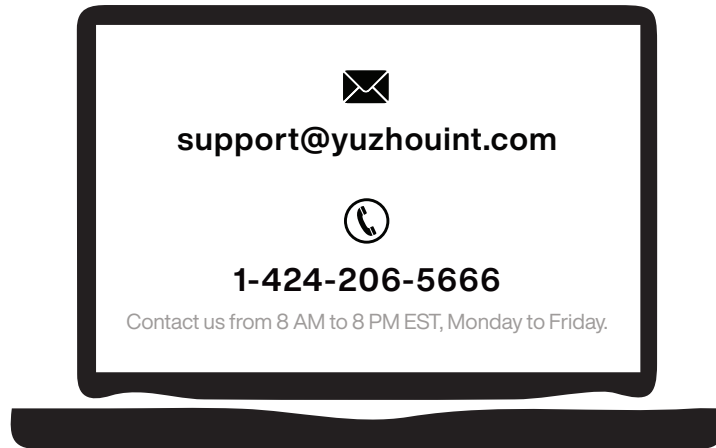
**Side Table**

Model No.  
**HOGA-F2308**

---

# Contact Us

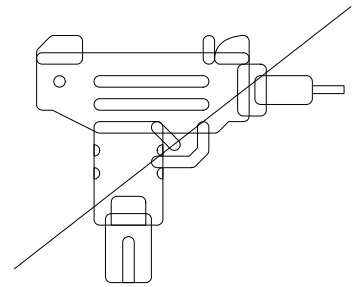
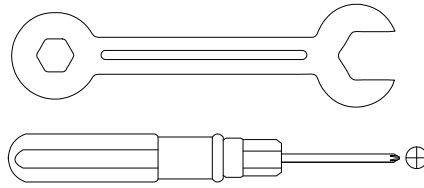
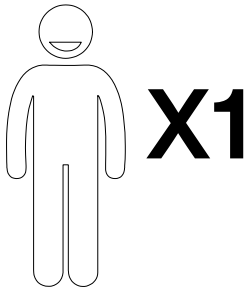
## We're here to help you.



Your satisfaction is our top priority. If you encounter any issues with this product, such as missing or damaged parts, we're here to help. Please retain the original packaging and take photos of the packaging and the product, then contact us as soon as possible.

### Warm Tips

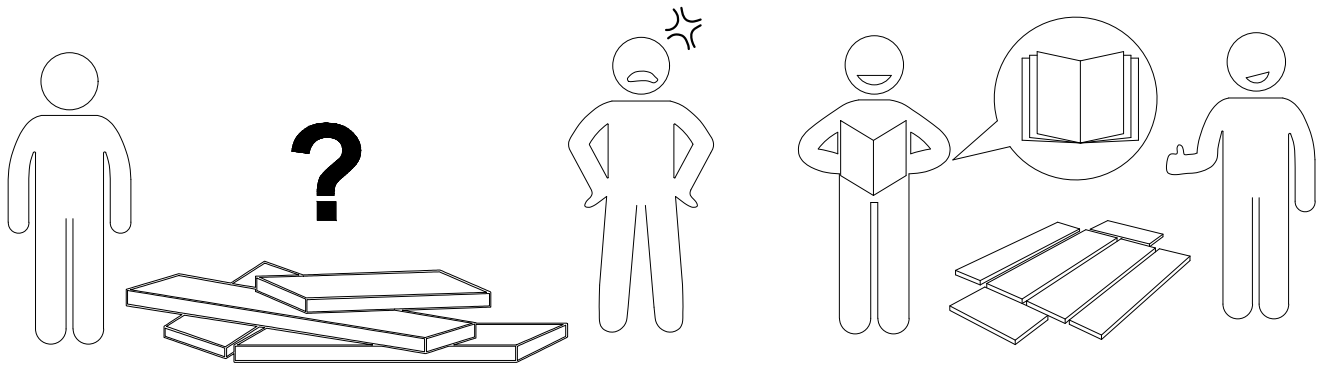
1. Carefully read these instructions and keep them for future reference.
2. Check the parts list and confirm everything's there before starting assembly.
3. When assembling, put all parts on a soft, smooth surface like a carpet to avoid scratches.
4. Don't fully tighten screws until all parts are confirmed in place to avoid misalignment.



We recommend using hand tools for assembly.

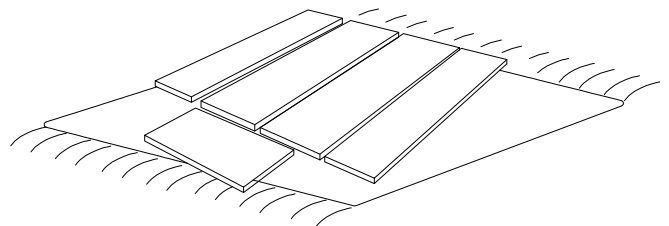
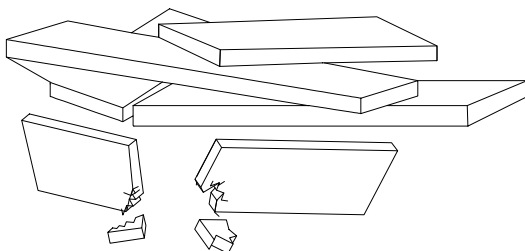
If an electric screwdriver is used, reduce power and torque to avoid damage to the product.

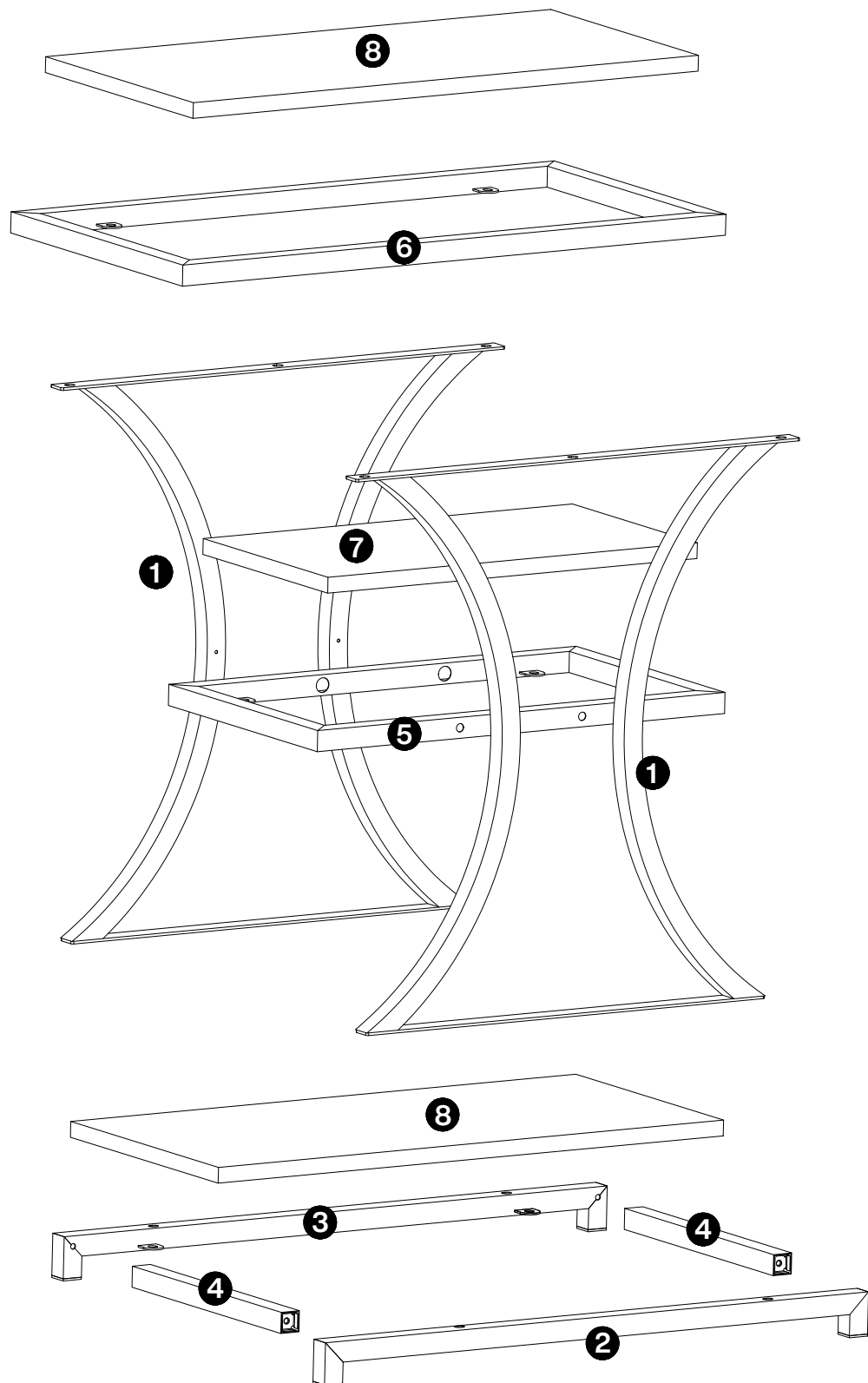
---



## AVOID SCRATCHES

In order to avoid scratching, this furniture should be assembled on a soft surface, such as a rug.

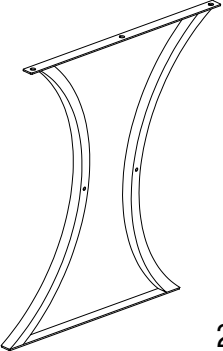
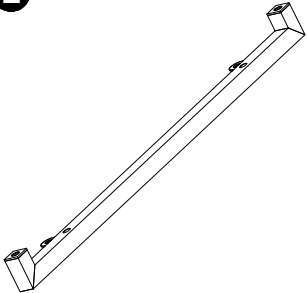
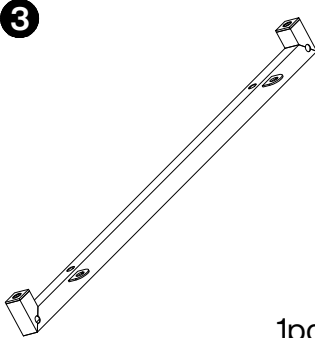
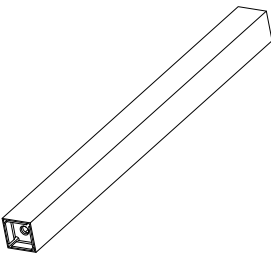
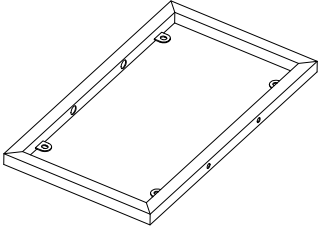
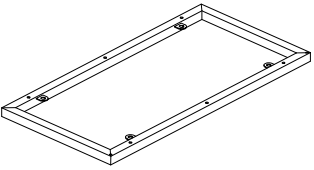
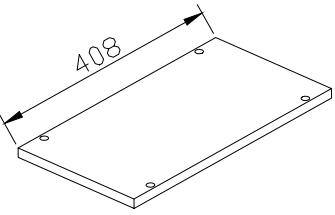
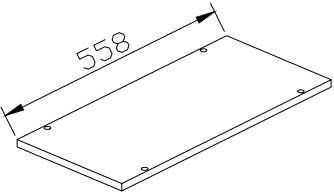




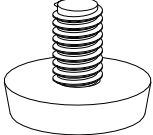
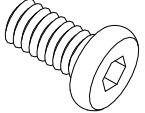
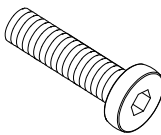
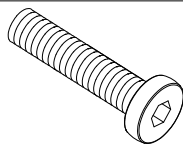
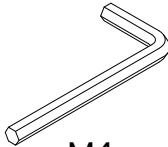
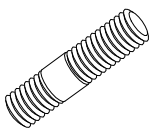
**⚠ Caution**

Make sure all parts are included. Most board parts are labeled or stamped on the raw edge. Contact us for a free replacement if you encounter any damaged or missing parts.

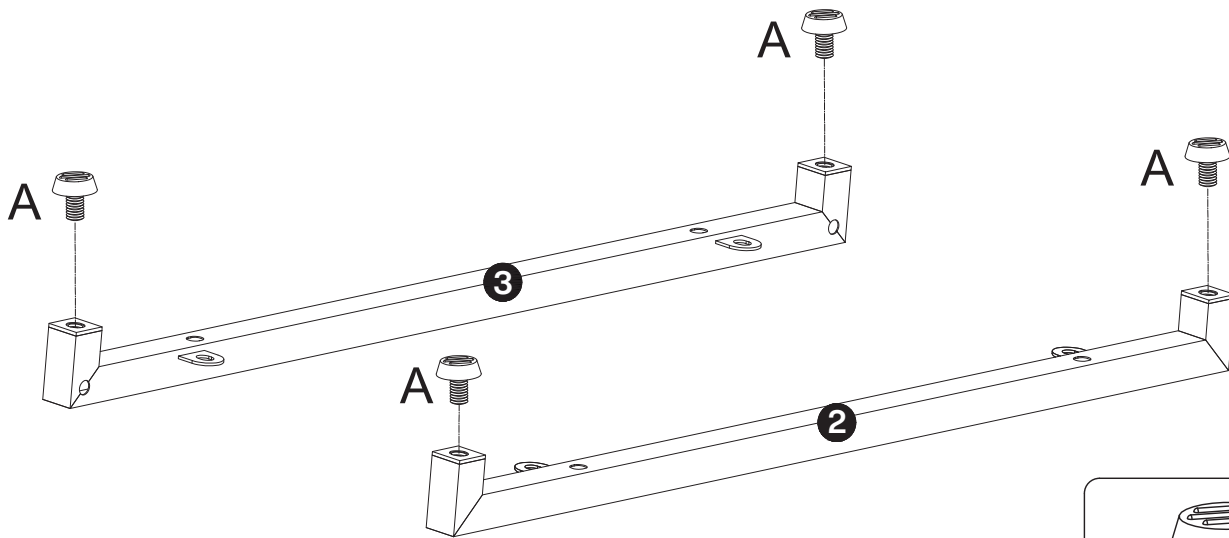
## Parts List

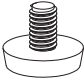
<p><b>1</b></p>  <p>2pcs</p>	<p><b>2</b></p>  <p>1pc</p>	<p><b>3</b></p>  <p>1pc</p>	<p><b>4</b></p>  <p>2pcs</p>
<p><b>5</b></p>  <p>1pc</p>	<p><b>6</b></p>  <p>1pc</p>	<p><b>7</b></p>  <p>1pc</p>	<p><b>8</b></p>  <p>2pcs</p>

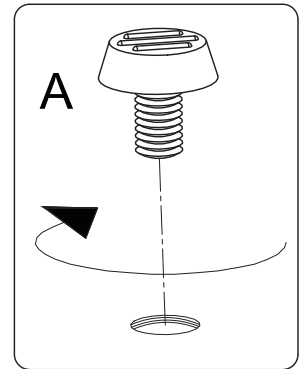
## Hardware List

A	B	C	D
 <p>M6</p>	 <p>M6×12mm</p>	 <p>M6×25mm</p>	 <p>M6×35mm</p>
4pcs	22pcs	4pcs	2pcs
E	F		
 <p>M4</p>	 <p>M6×30</p>		
1pc	2pcs		

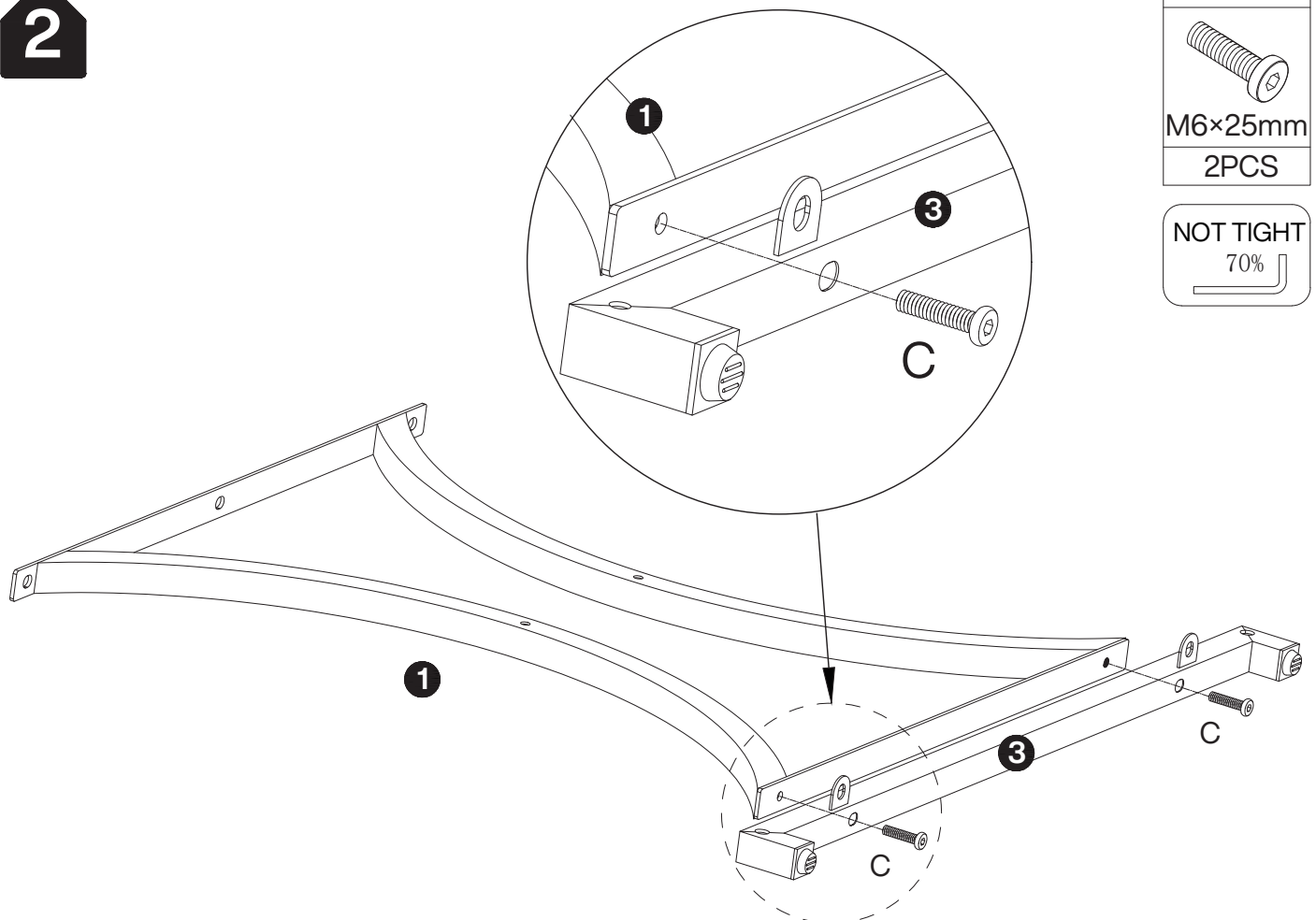
1

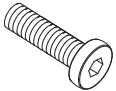


A

M6
4PCS



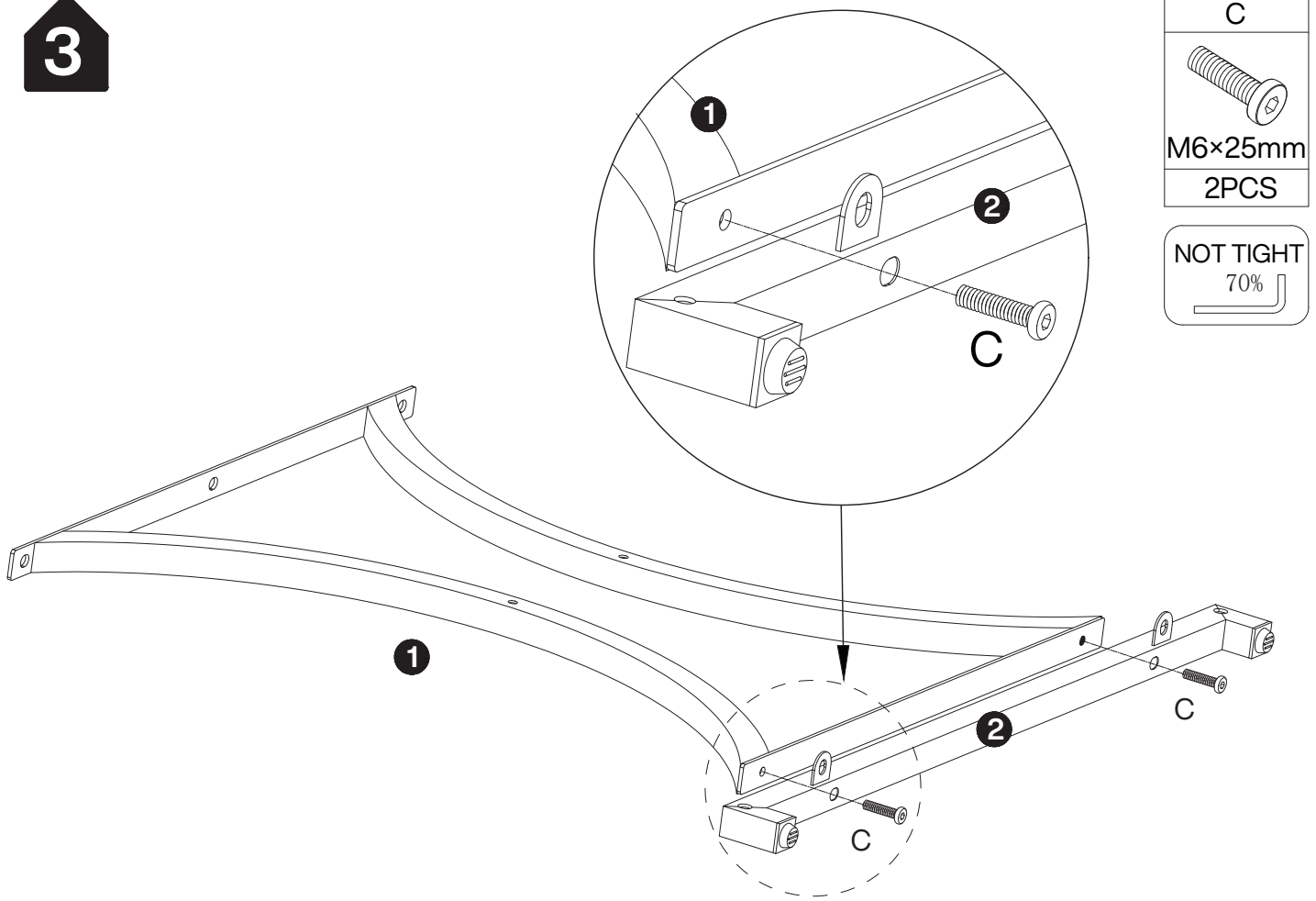
2



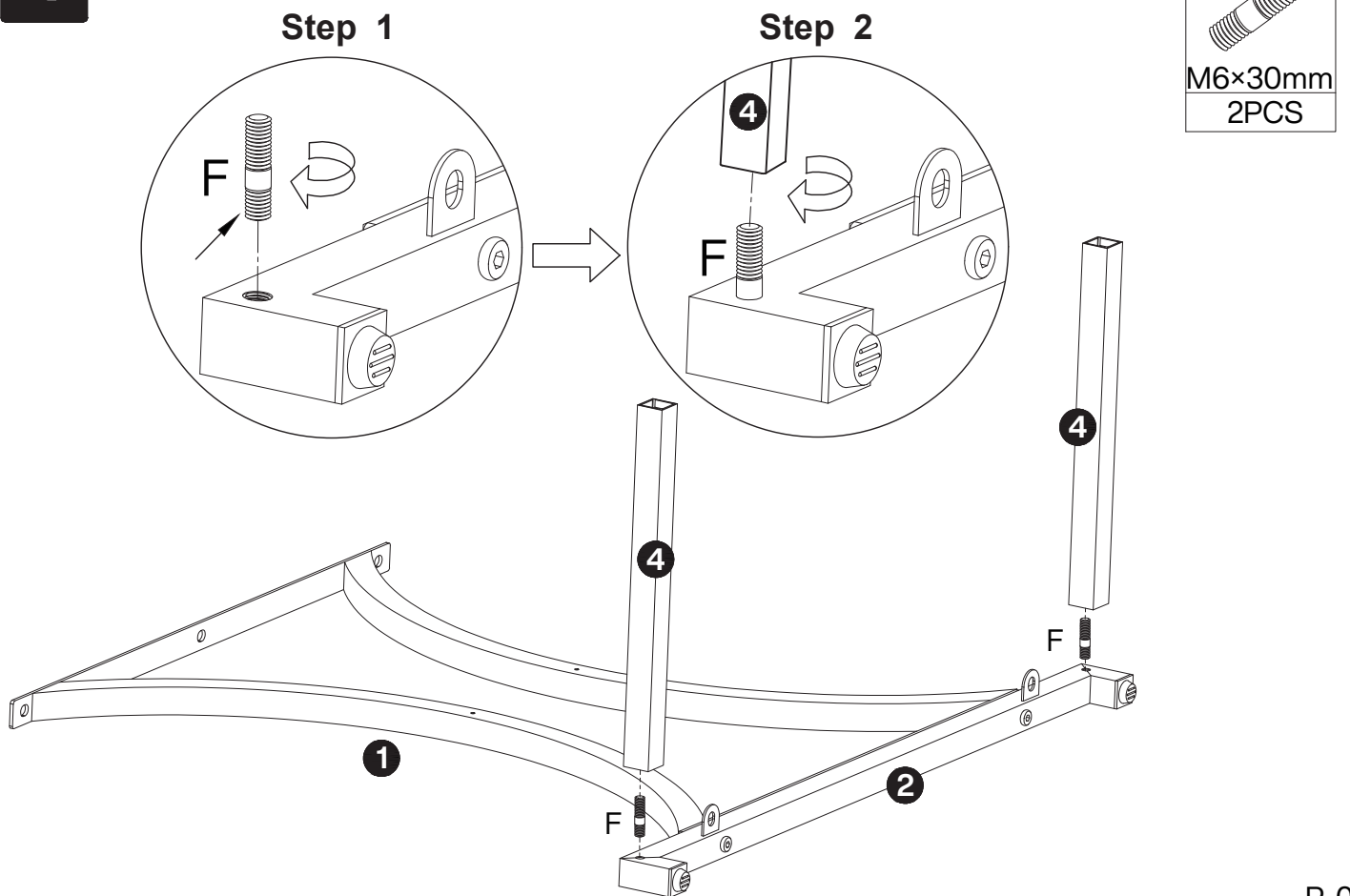
C

M6×25mm
2PCS

NOT TIGHT  
70%

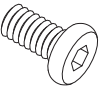
3

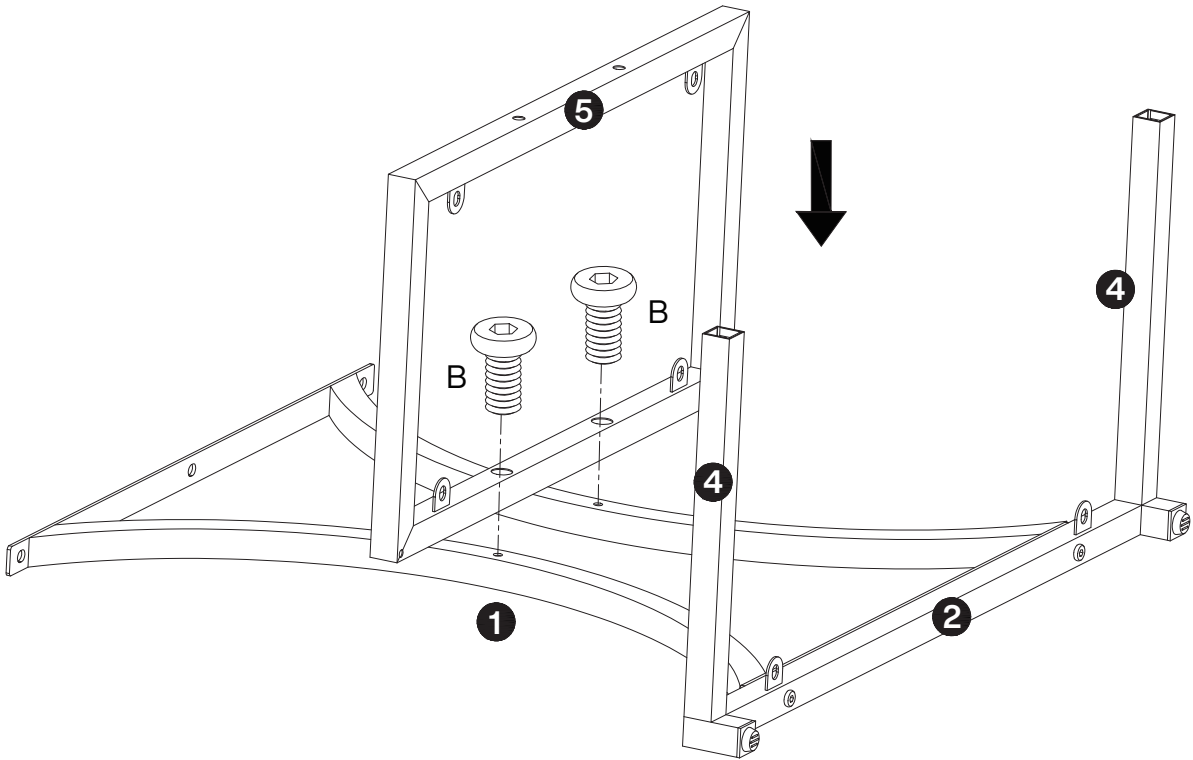


4

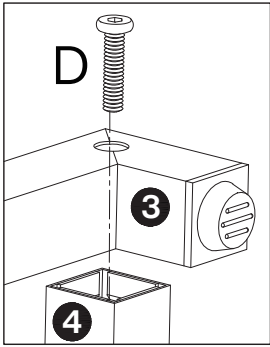


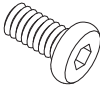
5

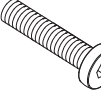
B

M6×12mm
2PCS



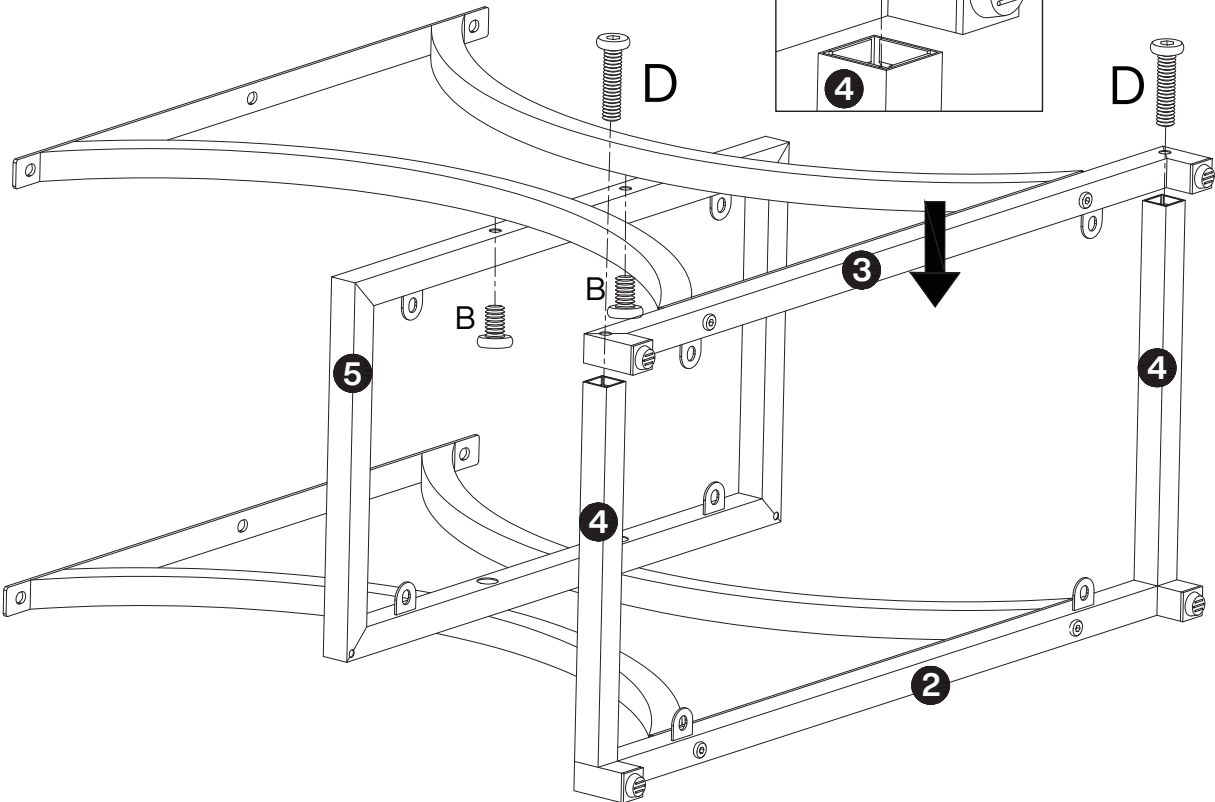
6



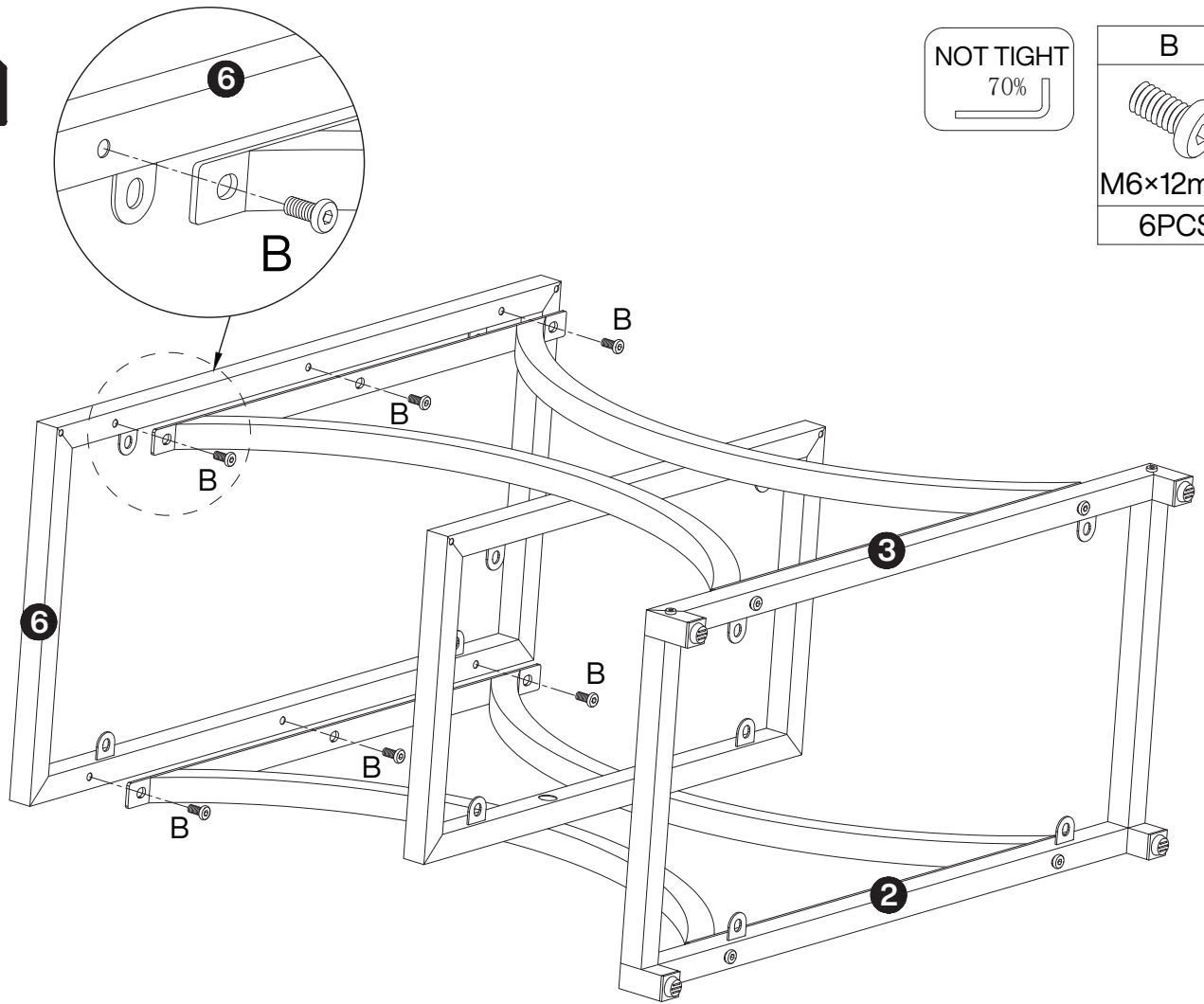
B

M6×12mm
2PCS

D

M6×35mm
2PCS

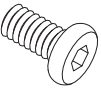
NOT TIGHT  
D 70%



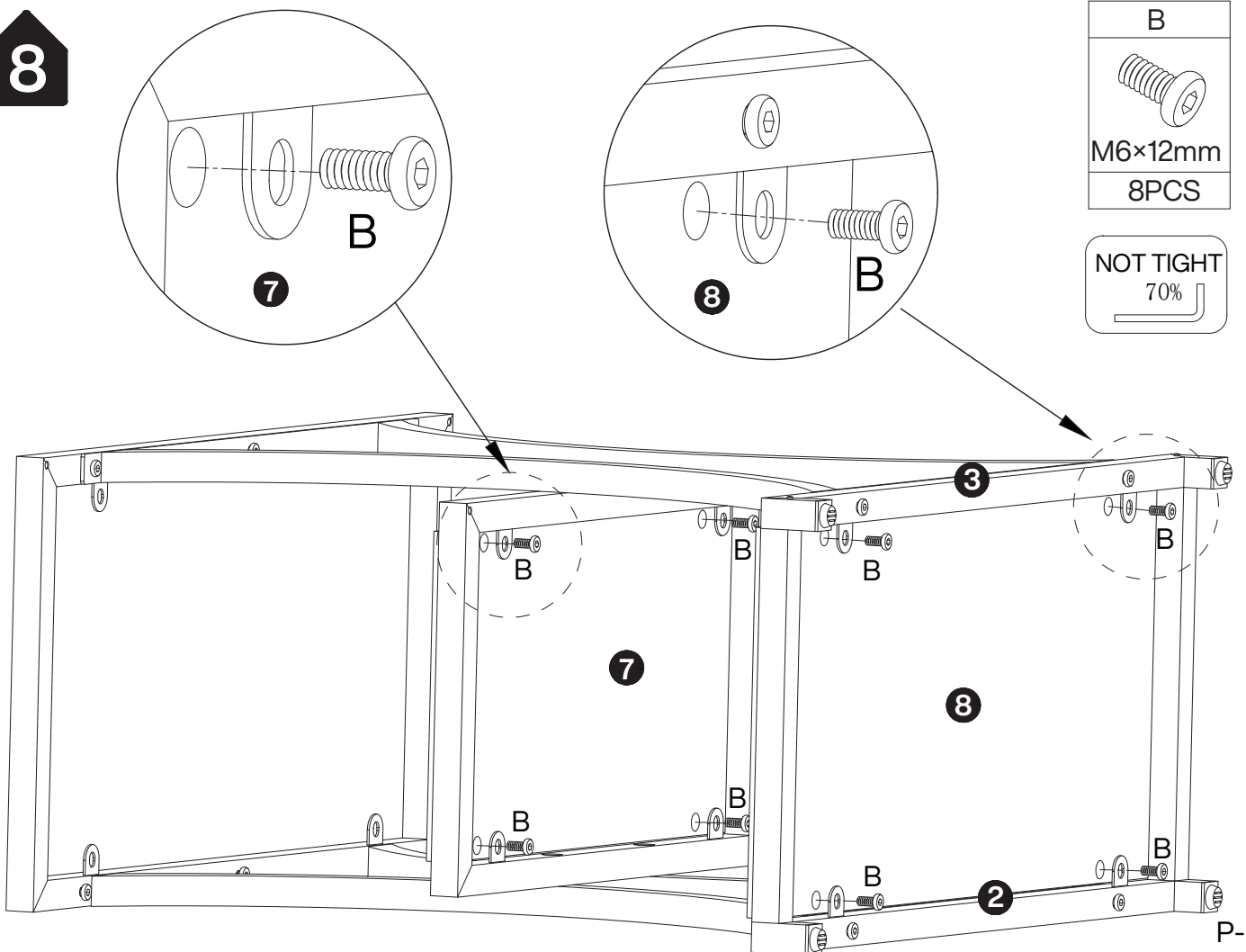
7

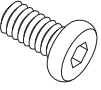


NOT TIGHT  
70%

B

M6×12mm
6PCS

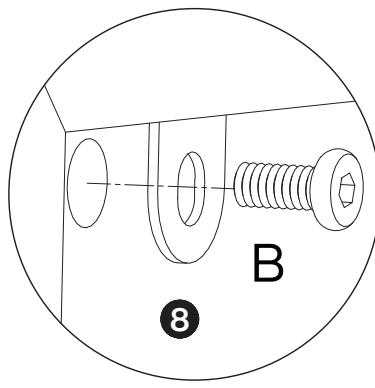
8



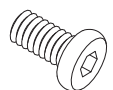
B

M6×12mm
8PCS

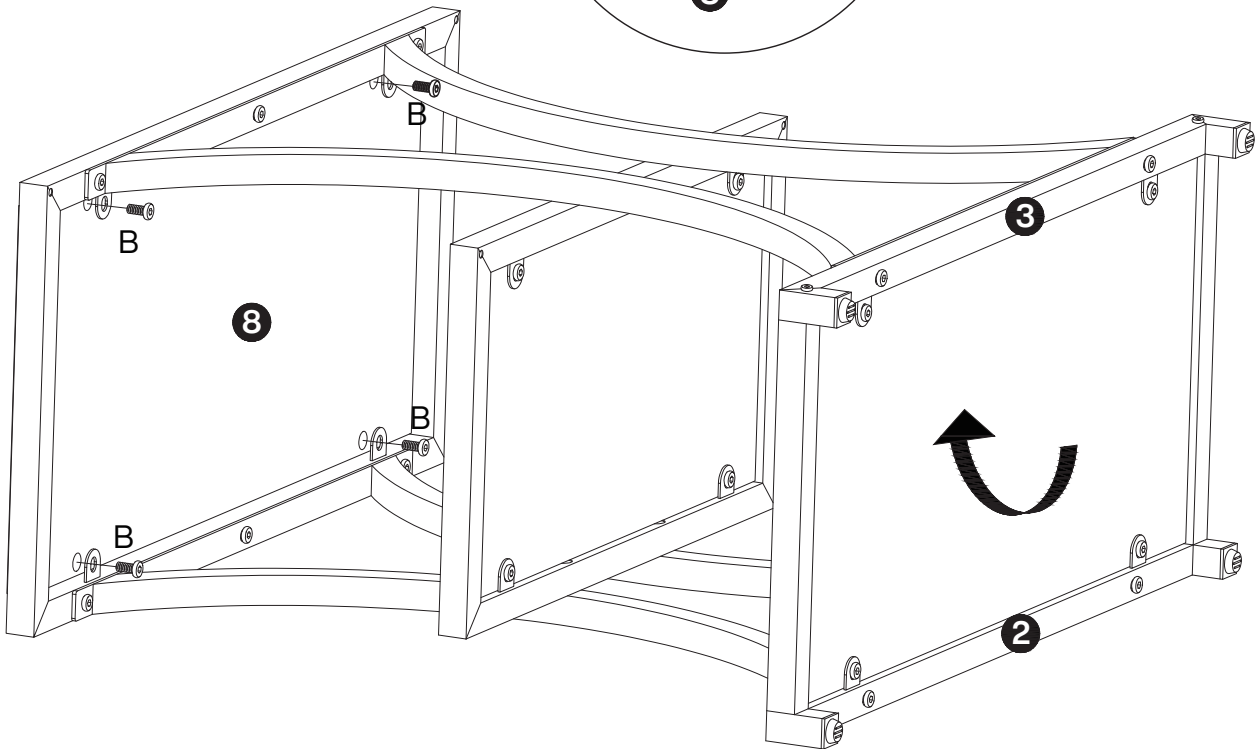
NOT TIGHT  
70%

9



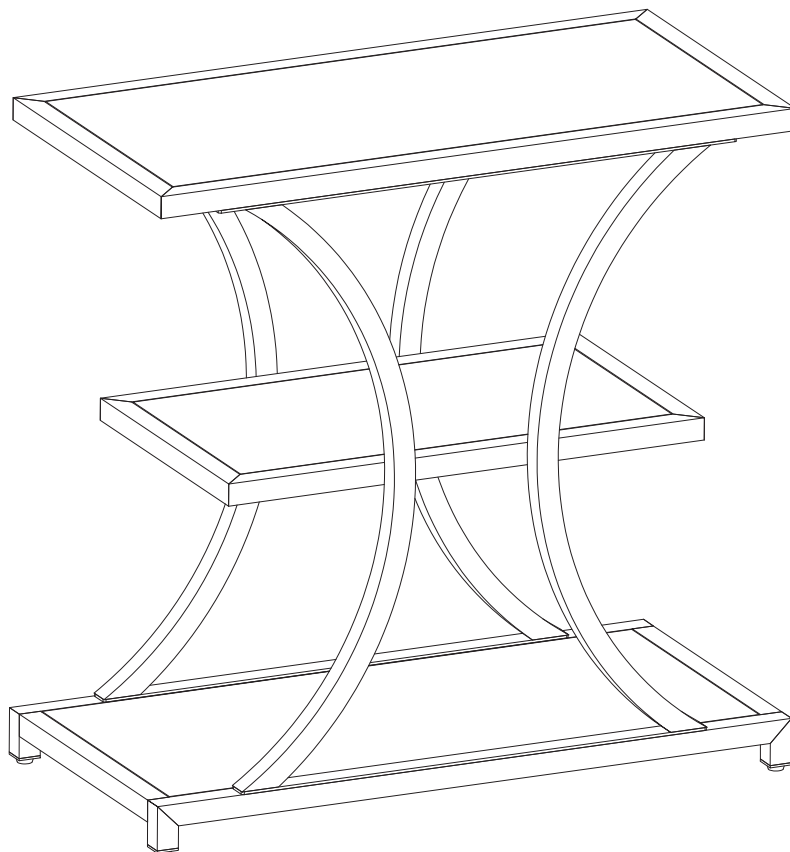
NOT TIGHT  
70%

B

M6×12mm
4PCS



10

Tighten all screws 100%



**Thank you for your support!**

