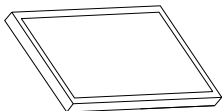


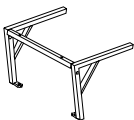
ASSEMBLY INSTRUCTIONS

PARTS AND HARDWARE

Do not fully tighten bolts until assembly is complete.



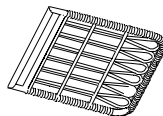
A*1



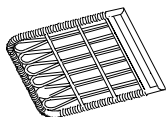
B*1



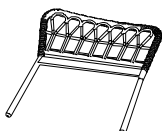
C*1



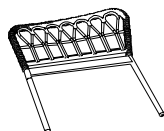
D*1



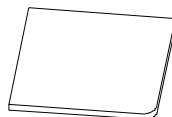
E*1



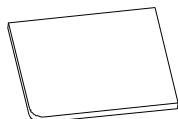
F*1



G*1



H*1



I*1



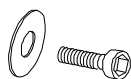
J*1



K*2

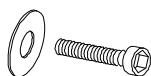


L*1



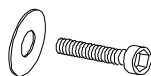
M6*15

① x8



M6*40

② x12



M6*45

③ x4



M6*60

④ x3



⑤ x3



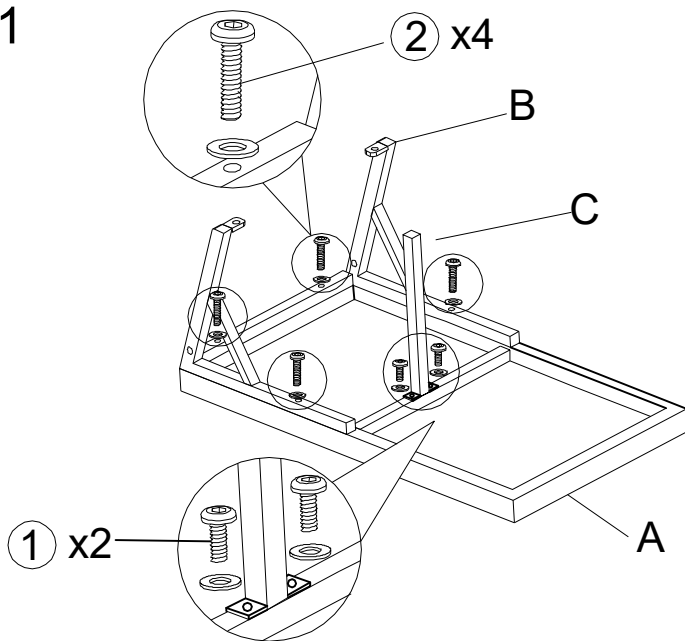
⑥ x1



⑦ x1

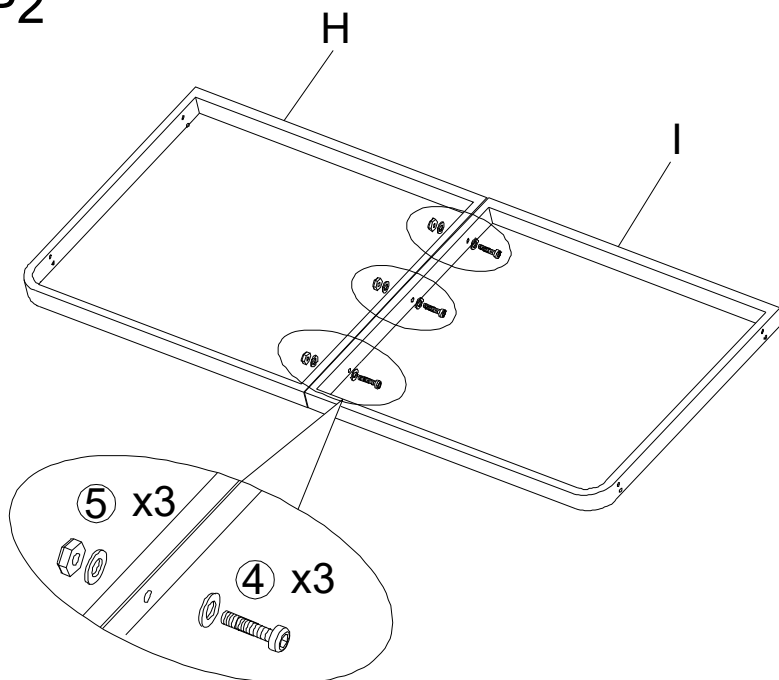
STEP1

A*1
B*1
C*1
① x2
② x4
⑥ x1



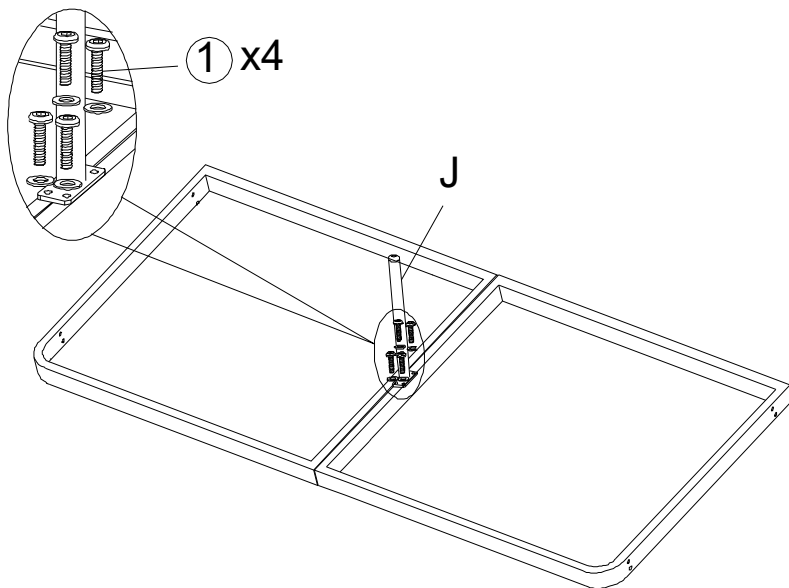
STEP2

H*1
I*1
④ x3
⑤ x3
⑥ x1
⑦ x1



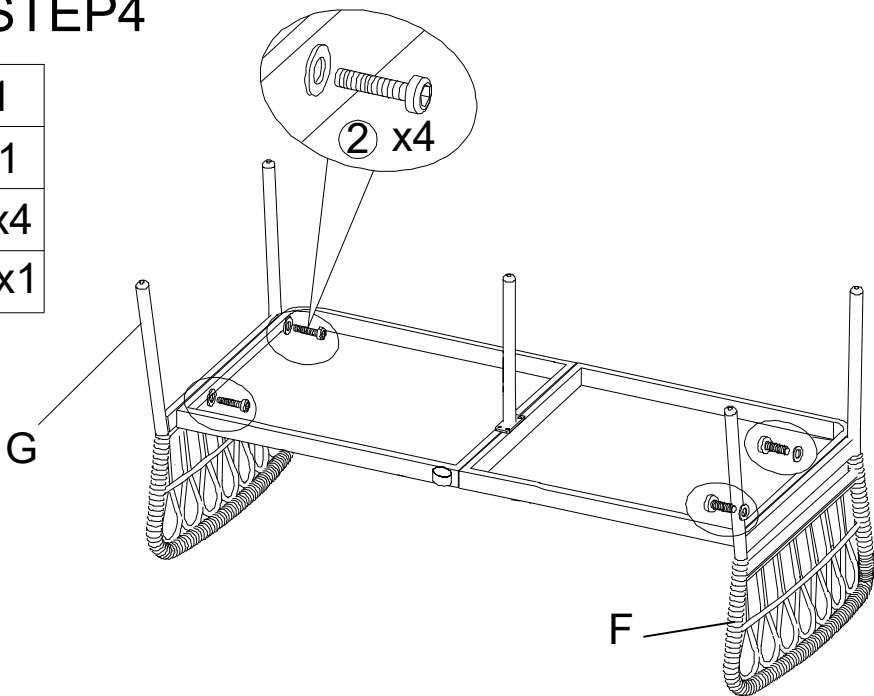
STEP3

- J*1
- ① x4
- ⑥ x1



STEP4

- F*1
- G*1
- ② x4
- ⑥ x1



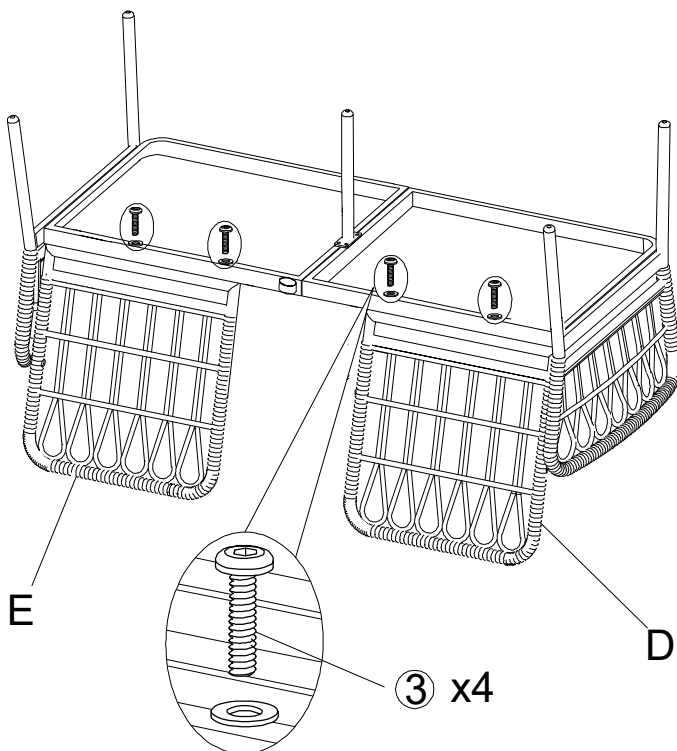
STEP5

D*1

E*1

③ x4

⑥ x1

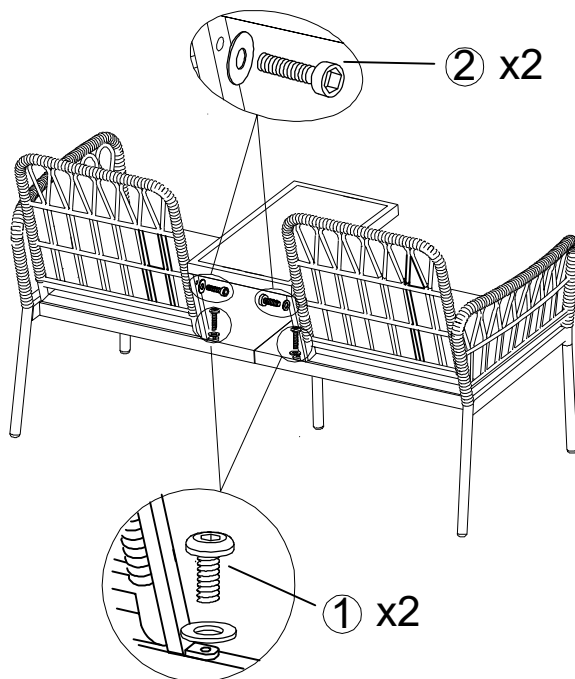


STEP6

① x2

② x2

⑥ x1



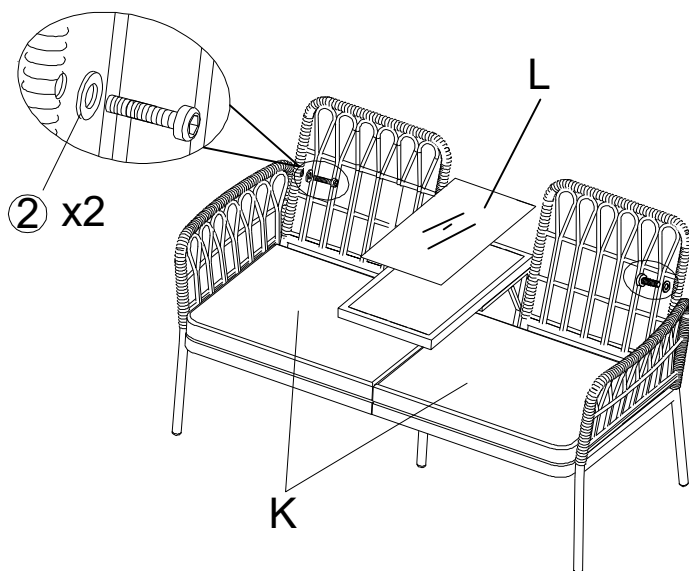
STEP7

K*2

L*1

② x2

⑥ x1



Do not seat on table top