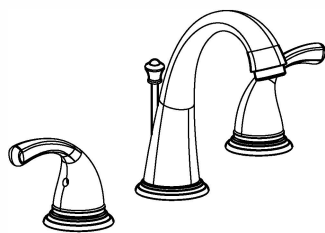


# ULTRA FAUCETS

## INSTRUCTION



### Two Handle Widespread Faucet with Pop-Up Drain

Model NO.: UF55810

UF55813

UF55815

#### Tools:

- Adjustable Wrench
- Pliers
- Pipe Wrench
- Screwdriver
- Teflon Tape

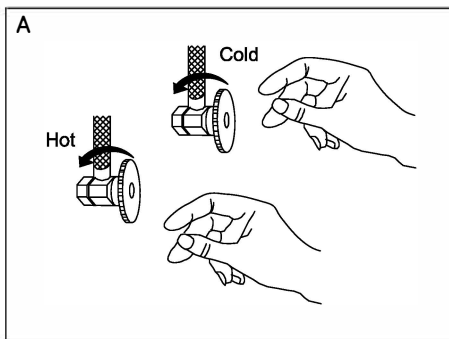


#### Maintenance:

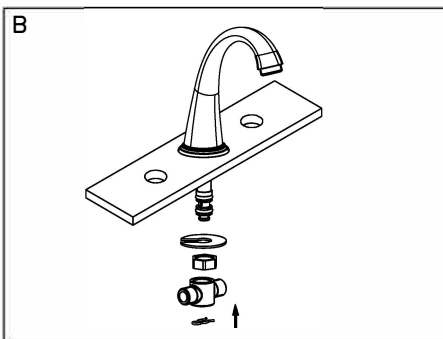
Your new Lavatory faucet is designed for years of trouble-free performance.

Keep it looking new by cleaning it periodically with a soft cloth. Avoid abrasive cleaners, steel wool and harsh chemicals as these will dull the finish and void your warranty.

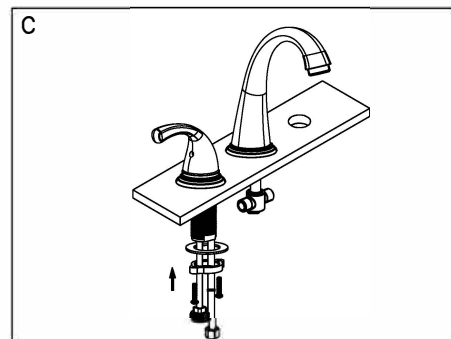
### Preparation / Assembly



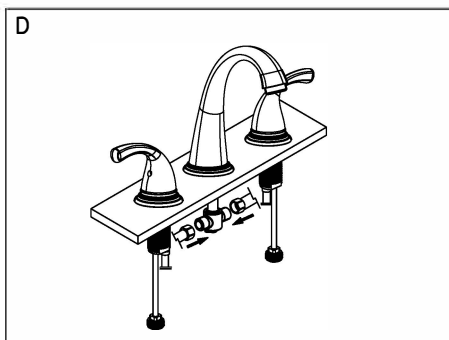
A. Shut off water supply at the valves. Remove old faucet and clean the mounting surface for installation of new faucet.



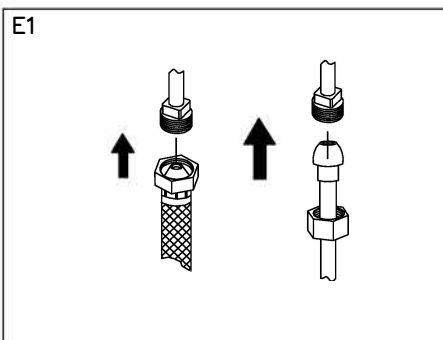
B. Place the spout into center hole of the sink. From under sink Secure firmly to sink with metal washer and nut. Push the T-tube onto the end of the spout tube until it seats. (Caution: There are two O-RING that must seat firmly into the indentations provided on the spout casting.) Insert ring through the groove of the spout tube end. Make sure "T" inlets are aligned at an angle which will allow maximum clearance to connect hose



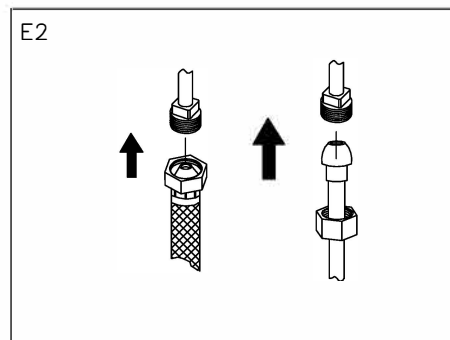
C. Insert the body with the hot supply label is on the (hot) side. Hold the body in the proper position. Assemble metal washer and mounting nut onto body underside of sink, tighten it with the locking screw.



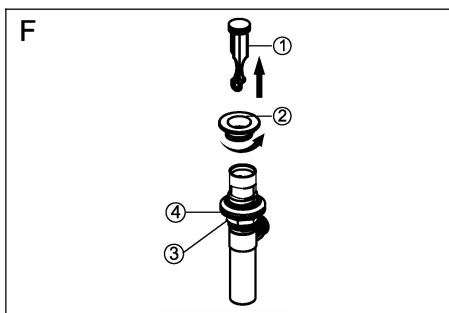
D. Position the bodies as in illustration to install 9.8" flexible water supply hoses on hot and cold inlets. Screw the hose nuts onto the T-tube and tighten firmly. Carefully bend the hoses to fit available space



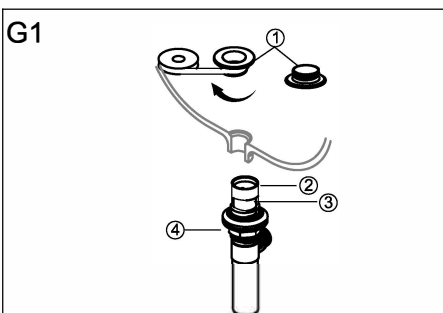
E1. Stainless Steel Braided Faucet Supply Tubes: This is the simplest of all installations. If you are using stainless steel braided faucet supply tubes, this faucet requires one end of the supply tube to have a 1/2" female IPS connection. The other end of this supply tube must match the thread on the water supply fittings or shut off valve under the sink. Once you have identified the required tube, carefully follow the manufacturer's installations for each tube



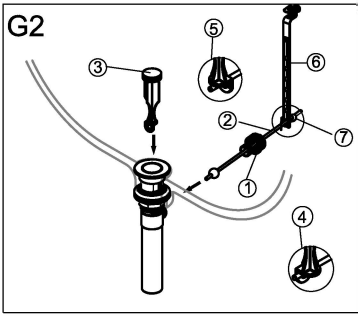
E2. Ball Nose Flexible Supplies : If you are using ball-nose flexible supplies to connect the faucet to water supply lines: Slip coupling nut behind ball-nose of flexible supply tube. Ball nose coupling will go partially into IPS shank or fitting. Tighten coupling nut (DO NOT OVER TIGHTEN) Install opposite end according to manufacturer's instructions for both tubes



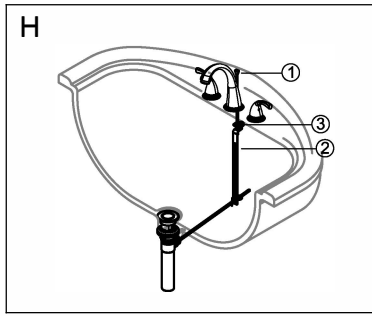
F. Remove stopper (1) and flange (2). Screw nut (3) all the way down. Push gasket (4) down.



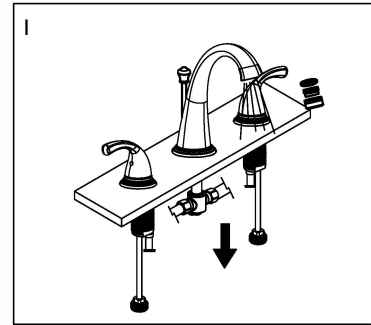
G1. Apply plumber's putty to the underside of flange (1). Apply teflon tape to threads at the bottom of flange (1). Insert body (2) into sink. Screw flange onto body. Pivot hole (3) must face the back of the sink. Tighten nut/gasket (4), do not overtighten. Clean excess putty.



G2. Remove pivot nut(1). Insert the stopper(3) into the drain hole and Insert horizontal rod(2) through the hole of the stopper(3) according to graphic(5). Hand tighten pivot nut(1). Attach horizontal rod to strap(6) using clip(7).  
NOTE: For easier removal and cleaning, rotate the stopper(3) 90 degrees so that the horizontal rod(2) does not go through the hole in the stopper(3), see graphic(4).



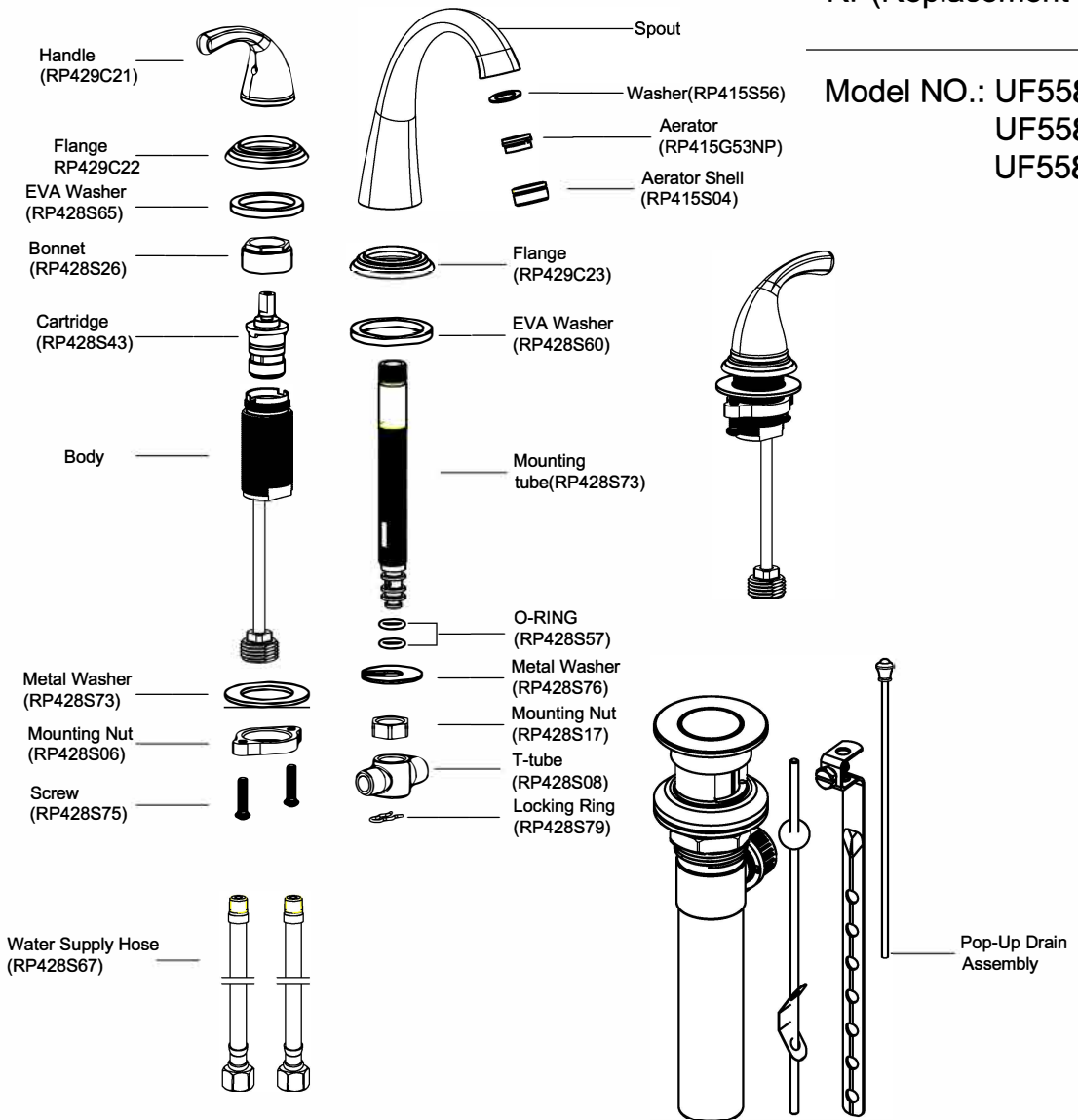
H. Insert lift rod(1) through faucet and into strap(2). Tighten screw(3).



I. Important: After installation is completed. Remove aerator then turn on water supply and allow both hot and cold water to run for at least one minute each. While water is running, check for leaks. Reinstall Aerator. Your new faucet is now ready to use.

## Exploded Drawing RP(Replacement Parts)

Model NO.: UF55810  
UF55813  
UF55815



## Limited Lifetime Warranty

Ultra Faucets warrants to the original purchaser that its products will be free from defects in workmanship and materials. All Ultra Faucets are provided with a life time limited warranty. This warranty does not cover any other labor or service charges associated with the removal, repair, or reinstallation of Ultra Faucets products. This express warranty does not apply to products that have been damaged as a result of misuse, abuse, negligence, accident, faulty installation or maintenance practices and/or used in any manner contrary to those recommended by the manufacturer.