

**Thank you for purchasing
Integrated LED Lighting Fixtures !**

TROUBLESHOOTING:

- Check that line voltage at fixture is correct.
- Ensure that there is voltage at lamp fixture wires. If there is no voltage, then check all connections.
- Check that fixture is grounded properly.

If fixture does not light:

- Check switch to ensure that there are no defects.
- Check fuse/circuit breaker for trips, then check wiring connections.

CLEANING AND MAINTENANCE:

CAUTION: Ensure fixture temperature is cool enough to touch. DO NOT clean or perform maintenance while fixture is energized.

- Clean lens and fixture with non-abrasive cleaning solution.
- Do not open fixture to clean LED. Do not touch the LED.
- Do not spray liquid directly on to LED, LED driver or wiring.

Please read carefully before installing fixture.

Save these instructions, as you may need them at a later date.

Please follow the following steps for installation. →

LED SLIM FLUSH MOUNT

INSTALLATION INSTRUCTIONS

WARNINGS:



Turn power off before installation, inspection, or removal. Use all necessary precautions while performing this procedure.



Consult a qualified electrician to ensure correct branch circuit conductor. Min 90°C supply conductors.



Properly ground electrical enclosure. IT IS IMPERATIVE THAT THE OUTLET BOX BE PROPERLY GROUNDED.



DO NOT REVERSE THE HOT AND NEUTRAL CONNECTIONS, OTHERWISE SAFETY WILL BE COMPROMISED.



This Integrated LED Fixture has no lamp/bulb to replace.



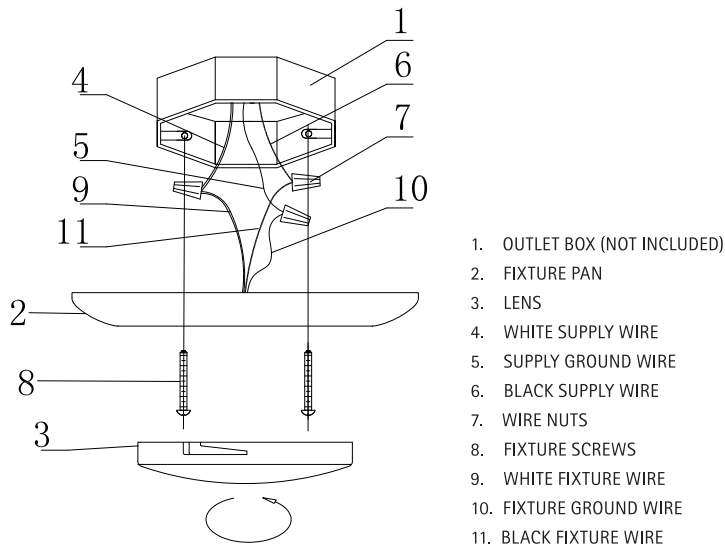
Do not remove or touch the inside of plastic lens covering the LED board.

GENERAL: All electrical connections must be in accordance with local and National Electrical Code (N.E.C.) standards. If you are unfamiliar with proper electrical wiring connections, contact and obtain the services of a qualified electrician. Use UL or IEC approved wire only for input/output connections.

Remove fixture and mounting components from the box, and make sure that no parts are missing by referencing the illustration in the installation instructions.

DIMMING: This product is compatible with most common residential type dimmers. Dimming performance will depend upon dimmer, dimmer settings (dimmers with adjustments to brightness range), wiring method, and number of LED modules. For best results, set dimmer position at maximum before adjusting to a lower light level.

Figure 1



- 1** SHUT OFF MAIN ELECTRICAL SUPPLY FROM THE MAIN FUSE BOX/CIRCUIT BREAKER!
- 2** Remove contents from box. Ensure that no parts are missing. Reference the illustration included with this instruction manual.
- 3** Pull the SUPPLY WIRES (4 & 6) and the SUPPLY GROUND WIRE (5), out from the OUTLET BOX (1).
- 4** Thread the FIXTURE SCREWS (8) into the appropriate threaded holes of the OUTLET BOX (1).
- 5** Make the following wire connections (Fig.1), using WIRE NUTS (7):
WHITE (-) SUPPLY WIRE (4) TO WHITE FIXTURE WIRE (9)
BLACK (+) SUPPLY WIRE (6) TO BLACK FIXTURE WIRE (11)
SUPPLY GROUND WIRE (5) TO FIXTURE GROUND WIRE (10)
If necessary, wrap all wire connections in electrical tape to ensure a secure connection.
- 6** Carefully tuck all wiring back into the OUTLET BOX (1).

- 7** Align FIXTURE PAN (2) over the OUTLET BOX (1). Center the protruding FIXTURE SCREWS (8) from the OUTLET BOX (1), (STEP 4), over the appropriate key holes. Mount the FIXTURE PAN (2) to the OUTLET BOX (1) by feeding the FIXTURE SCREWS (8) through the key hole slots.
- 8** Rotate the FIXTURE PAN (2) clockwise until the FIXTURE SCREWS (8) slide into the narrow end of the key hole slots. Then, fasten FIXTURE SCREWS (8) tightly and rotate until secure.
- 9** Attach the LENS (3) by rotating clockwise until secure.
- 10** Restore power at fuse box/circuit breaker. Check operation of Integrated LED Fixture.
- 11** Installation complete.

5-YEAR LIMITED WARRANTY

LIMITED WARRANTY: This fixture is warranted to be free from defects in workmanship and material for up to 5-years. Based upon reasonable household usage, when used in accordance with package and included instructions.

This device complies with Part 15 of the Rules and has been tested and found to comply with the limits for Class B digital device. Operation is subject to the following two conditions: (1) this device may not cause harmful interference, and (2) this device must accept any interference received, including interference that may cause undesired operation. Any changes or modifications not expressly approved by manufacturer could void user's authority to operate the equipment.