

ASSEMBLY INSTRUCTIONS

USER'S MANUAL


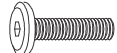


Before starting assembly:

- Read all instructions thoroughly.
- Open and check boxes for parts list.
- If any parts are broken or missing call or email customer service.
- Keep all packaging until you are satisfied with your product.
Returns are not accepted without original packaging.
- Make sure you have ample space for assembly.



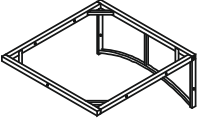
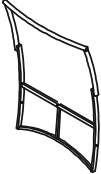
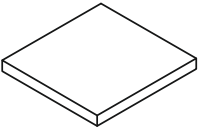
WARNING:

- DO NOT FULLY TIGHTEN ALL SCREWS UNTIL ASSEMBLY IS COMPLETE.
- DO NOT strain yourself. Some items are easier to assemble with the help of another person.
- DO NOT force bolts or nuts. If a nut becomes stick, unscrew it and start again.
- DO NOT assemble on an uneven surface to prevent any damage and to ensure proper assembly.

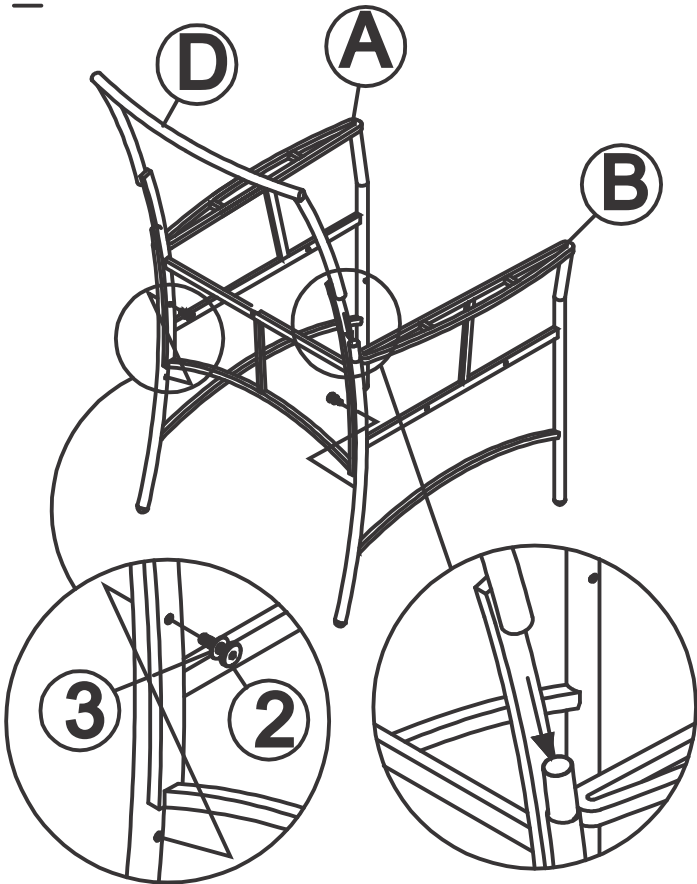
Hardware

	Description	Figure	specification	Qty
1	Bolt		M6 x 40mm	x 8
2	Bolt		M6 x 30 mm	x 10
3	Washer		M6	x 18
4	Allen Wrench		M4	x 2

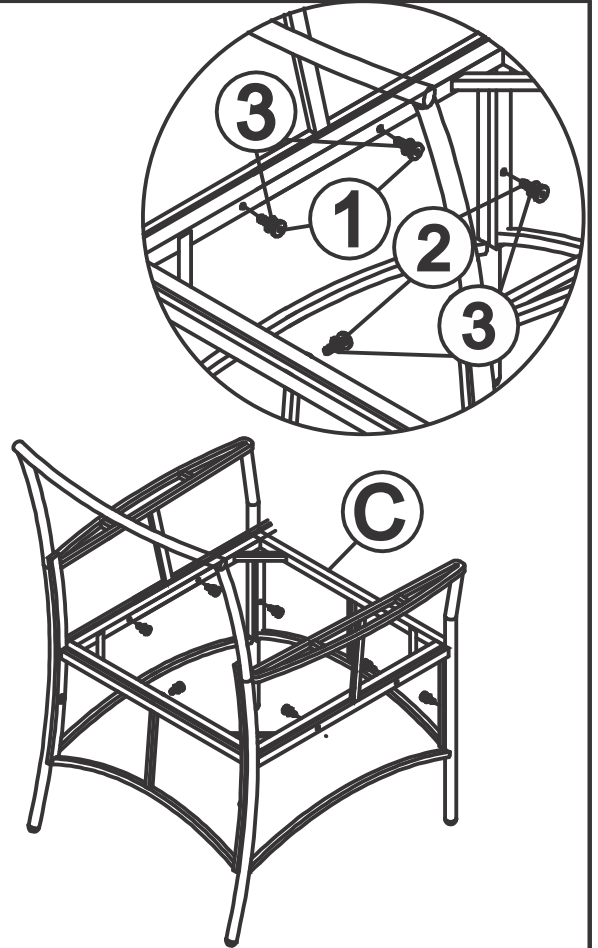
Chair

	x 2	A		x 2	B
	x 2	C		x 2	D
	x 2	E			

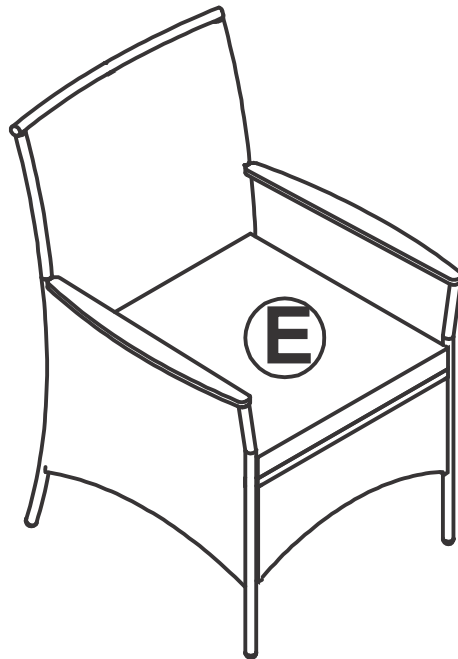
1



2



3



IMPORTANT, RETAIN FOR FUTURE REFERENCE: READ CAREFULLY.

- This article is intended for domestic outdoor use.
- Clean the furniture with a damp cloth.
- We do not accept liability for damage, including consequential damage, caused by incorrect assembly or assembly for any other than the intended purpose.
- Please store the furniture in a dry and clean area.
- Be careful when using the product to avoid squeezing and shearing especially between movable parts!
- The surface of wooden furniture can become rough from exposure to rain water. This is a normal occurrence which develops from the fact that the wooden fibres on the surface of the furniture stand up when they are wet. If this occurs, you can lightly sand down the surface using sandpaper and then reapply the oil to the affected areas. By doing this the old shape and colour should be restored.
- **WARNING:** Wood as a natural material tends to swell and shrink depending on its environment. In case the environmental conditions change quickly and intensively (e.g. rain to direct sun) the wood can be damaged. Therefore it is recommended to cover or protect wooden products from rain, moisture and direct sun!