

## Instruction Manual

Please save this manual for future reference.



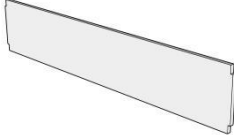
<b>Product Name:</b>	Wood Two-Tier Raised Garden Bed
----------------------	---------------------------------





Thank you for purchasing this Luxen Home product. This product has been manufactured with the highest standards of safety and quality.

**PLEASE READ ALL INSTRUCTIONS BEFORE ASSEMBLY.**


Unpack all parts from Styrofoam and bubble wrap inside the carton to ensure there are no missing or damaged parts. If any parts are missing or damaged, do not attempt to assemble or use the product.


**CARTON CONTENTS**

Part	Draw	Quantity
A		4 (123cm×31cm)
B		2 (135.5cm×23cm)
C		1 (123cm×23cm)

Part	Draw	Quantity
D		4
E		2
F		6
G		6

**HARDWARE CONTENTS:**

Part	Quantity
a	 <b>36</b> 3.5×40MM

Part	Quantity
b	 <b>12</b> 3.5×30MM

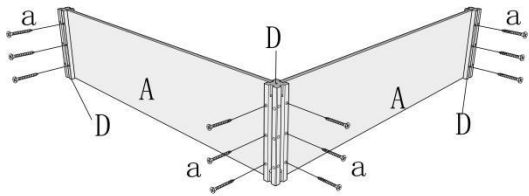
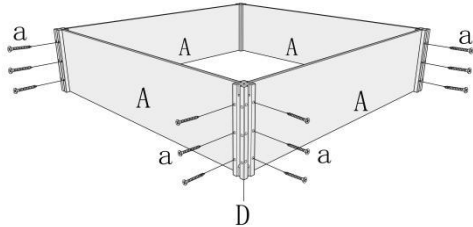
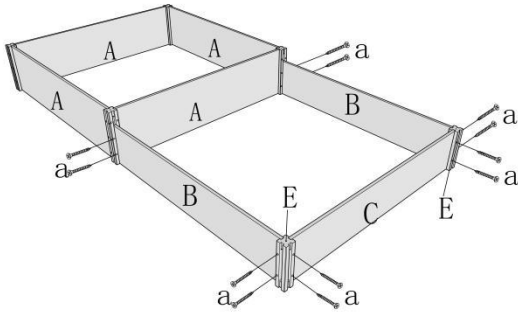
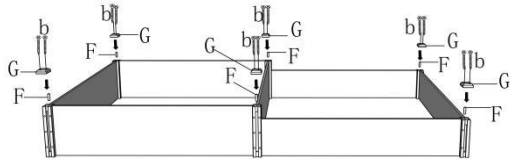
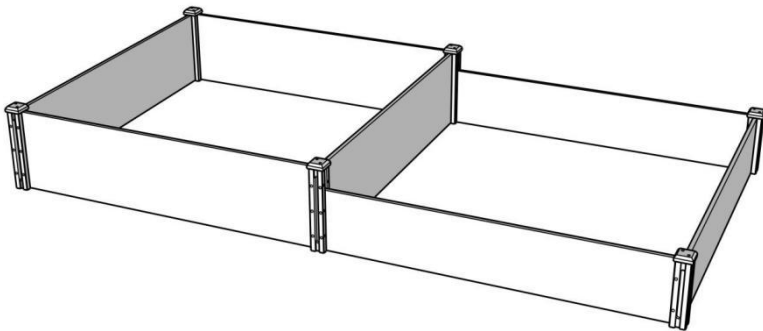
**Tools required for assembly:** Philips screwdriver required (not included). (If using power tools, use with care.) Do not completely tighten any bolts until the unit is fully assembled and sitting on a level surface. Tighten each bolt nuts firmly. Do not over tighten any bolt nuts as this may cause stripping.

# Instruction Manual

Please save this manual for future reference.

<b>Product Name:</b>	Wood Two-Tier Raised Garden Bed
----------------------	---------------------------------

## Assembly Instructions:

<p><b>Step 1</b> Insert (D) on both ends of (A). Align and screw in (a).</p>	<p><b>Step 2</b> Insert (D) on both ends of (A). Align and screw in (a).</p>
	
<p><b>Step 3</b> Insert (E) on both ends of (B) and (C). Align and screw in (a).</p>	<p><b>Step 4</b> Insert (F) to each corner. Insert (G) to each corner. Align and screw in (b).</p>
	
	



### Special Warnings and Cautions:

To avoid injury and/or damage, please do not sit or stand on the planter as this may cause serious bodily injuries and/or product damage.