

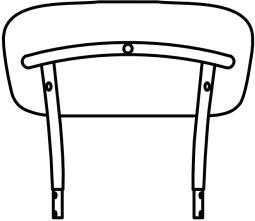
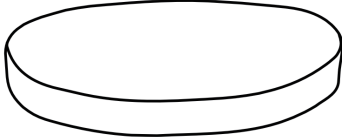
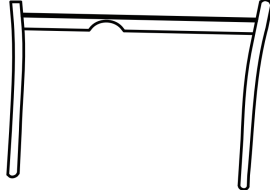
If you receive a product with missing or damaged parts, or if you have any questions about our product Please Contact us

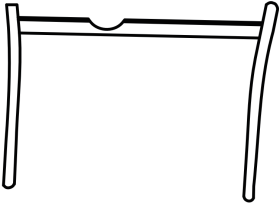

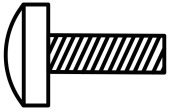
(we will reply to you within 24 hours)


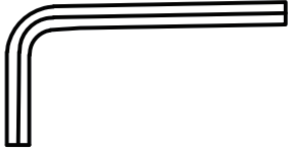
IMPORTANT NOTICE:

1. After opening the package, please check the parts for missing or damaged, if missing or damaged, please contact us
2. Please follow the steps and operation instructions specified in the product manual to assemble in order to avoid assembly errors and waste your time.
3. Do not use over weight to avoid structural deformation caused by unilateral force.
4. Avoid contact with sharp objects or corrosive liquids to prevent surface damage.
5. Check the screws at the joint every 3 months to see if they are loose.

PARTS LIST

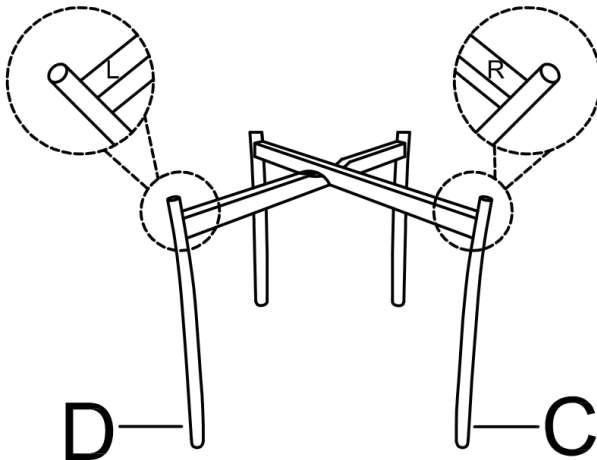
A x 1	B x 1	C x 1
		

D x 1	F x 4	G x 1
	 M6 x 45mm	 M6 x 30mm

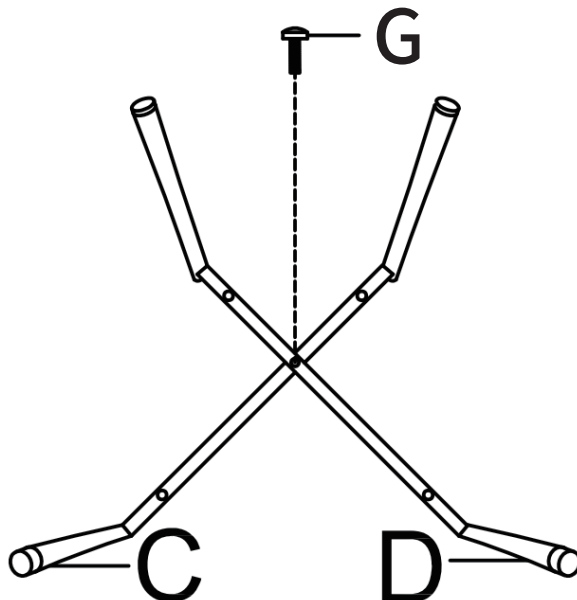
I x 4		
 M6 x 12mm		

INSTALLATION LIST

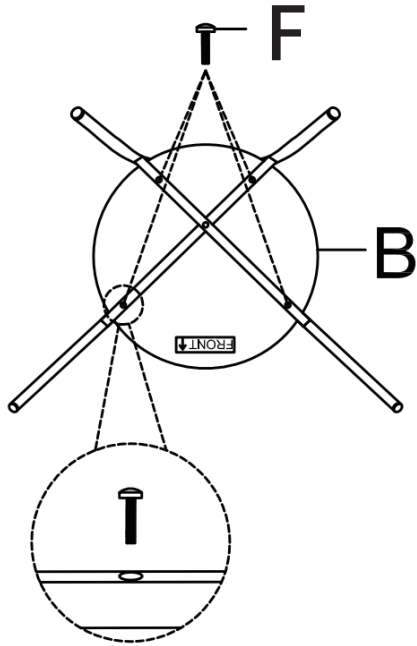
1. Note the markings L and R, installed in the same direction.



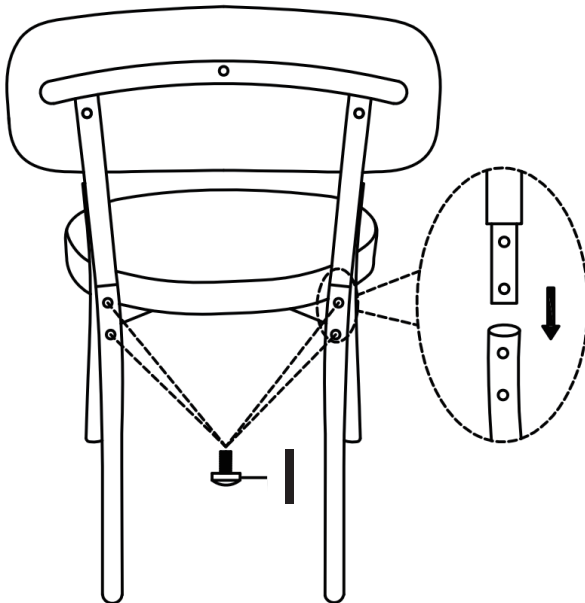
2. Pls tighten the screw "G" by 1/3. Do not tighten it completely.



3. Pls do not tighten screw "F" until match the seat holes.

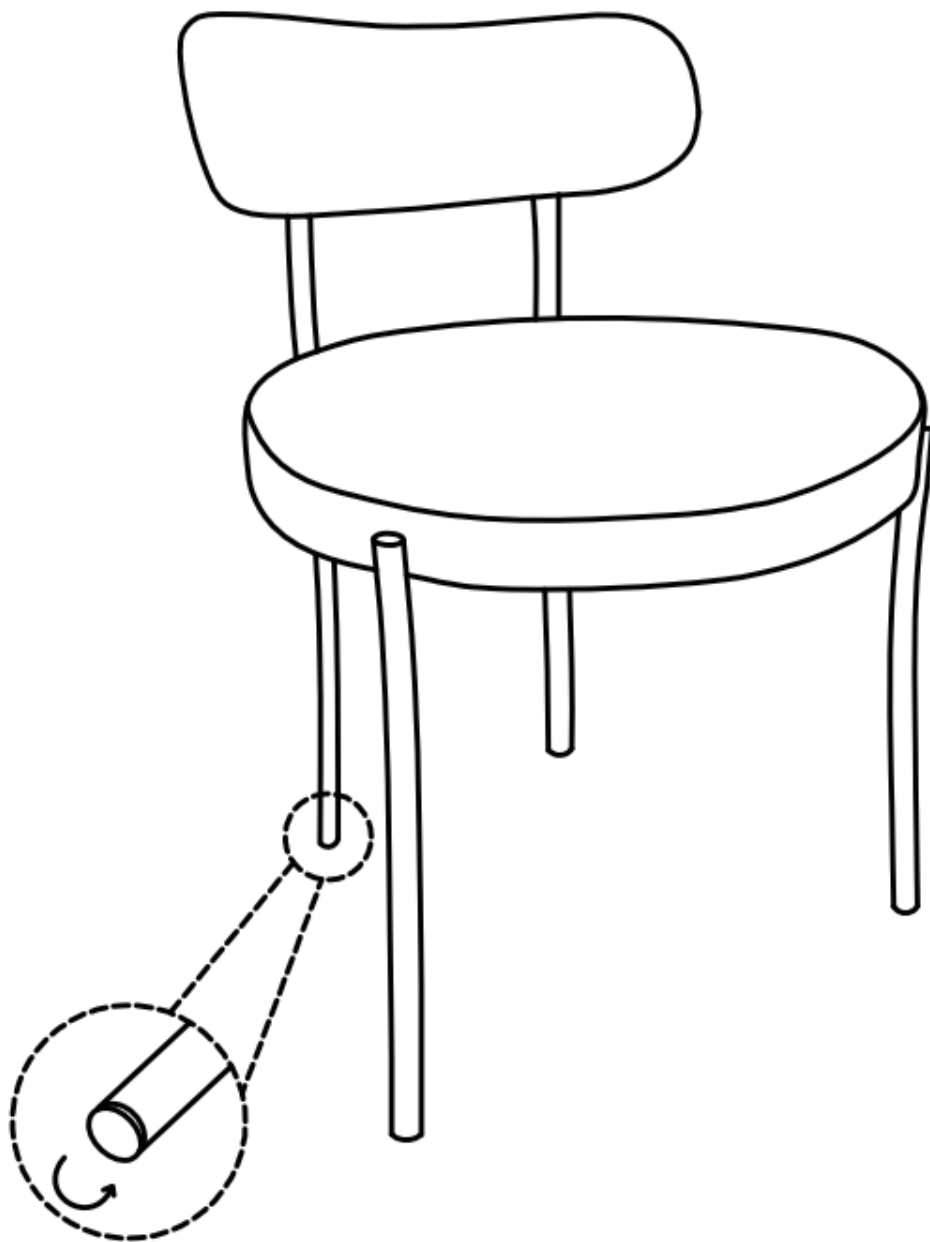


4. If the holes do not match, try adjusting the screws in steps 2 and 3 to better complete the assembly



Pls tighten the screws "I" by 1/3. Do not tighten it completely.

5. Finally tighten all screws



Notice: If needed, use adjustable foot pads to level chair.