



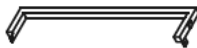




## CARE AND MAINTENANCE

Spot clean using a mild water-free solvent. Only a professional cleaner should undertake a complete overall cleaning.  
The use of steam or water-based cleaners may cause excessive shrinking or staining.

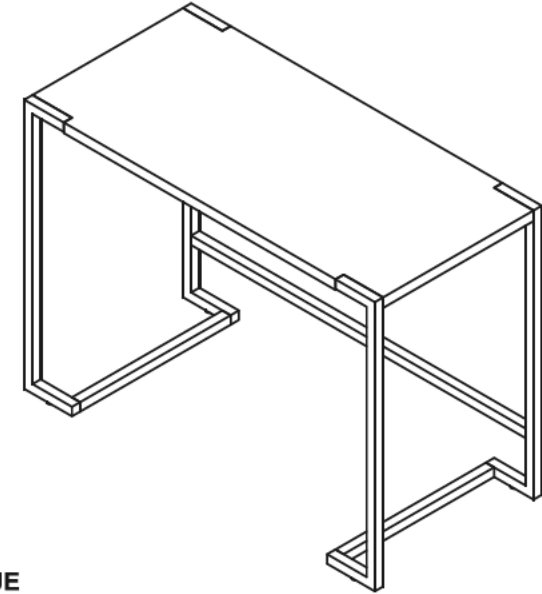
## NOTICE

- \* Please make sure that you have all parts indicated before you begin assembly of this item.
- \* This item should be assembled on a soft surface to prevent scratching the finish during assembly.
- \* This item may require periodic tightening.

### Part List and Hardware List






PIECE	DESCRIPTION	PICTURE	QUANTITY
A	TOP PANEL		1X
B	FRONT LEFT FRAME LEG		1X
C	FRONT RIGHT FRAME LEG		1X
D	BACK LEFT FRAME LEG		1X
E	BACK RIGHT FRAME LEG		1X
F	SUPPORT FRAME LEG		2X
G	STRETCHER		1X

Product Dimensions: 42"W x 20"D x 30"H



WEIGHT CAPACITY :  
TOP : 110 LBS

**WARNING: DO NOT OVER TORQUE  
BOLTS/SCREWS**

PIECE	DESCRIPTION	PICTURE	QTY
1	35 MM BOLT	M6x35mm 	8X
2	15 MM BOLT	M6x15mm 	10X
3	SPRING WASHER		18X
4	FLAT WASHER		8X
5	ALLEN KEY		1X

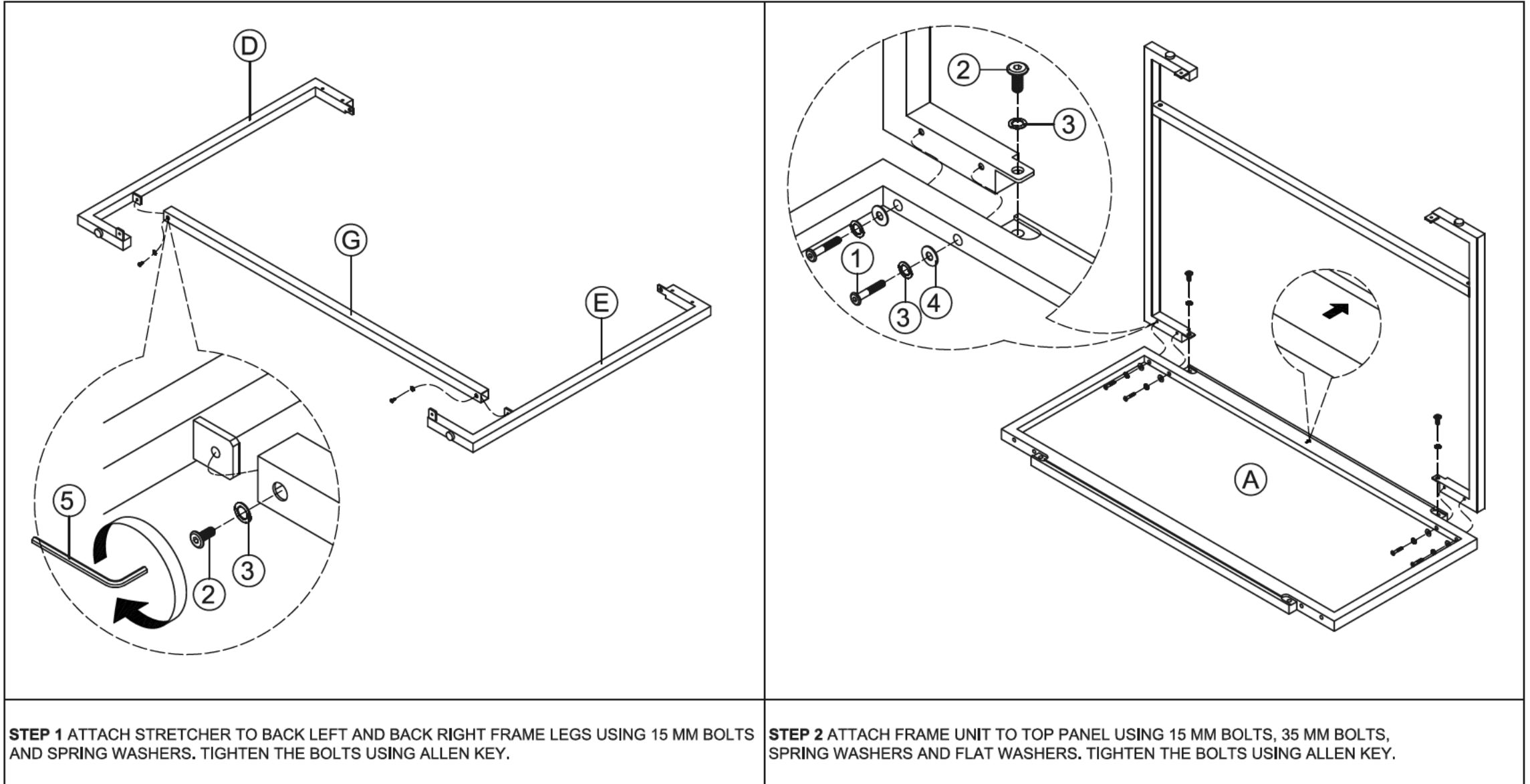
## PREPARATION

Before beginning assembly of product, make sure all parts are present. Compare parts with package contents list and hardware contents list.

If any part is missing or damaged, do not attempt to assemble the product.

Estimated Assembly Time: 60 minutes.

Tools Required for Assembly : Phillips Screwdriver



**STEP 1** ATTACH STRETCHER TO BACK LEFT AND BACK RIGHT FRAME LEGS USING 15 MM BOLTS AND SPRING WASHERS. TIGHTEN THE BOLTS USING ALLEN KEY.

**STEP 2** ATTACH FRAME UNIT TO TOP PANEL USING 15 MM BOLTS, 35 MM BOLTS, SPRING WASHERS AND FLAT WASHERS. TIGHTEN THE BOLTS USING ALLEN KEY.

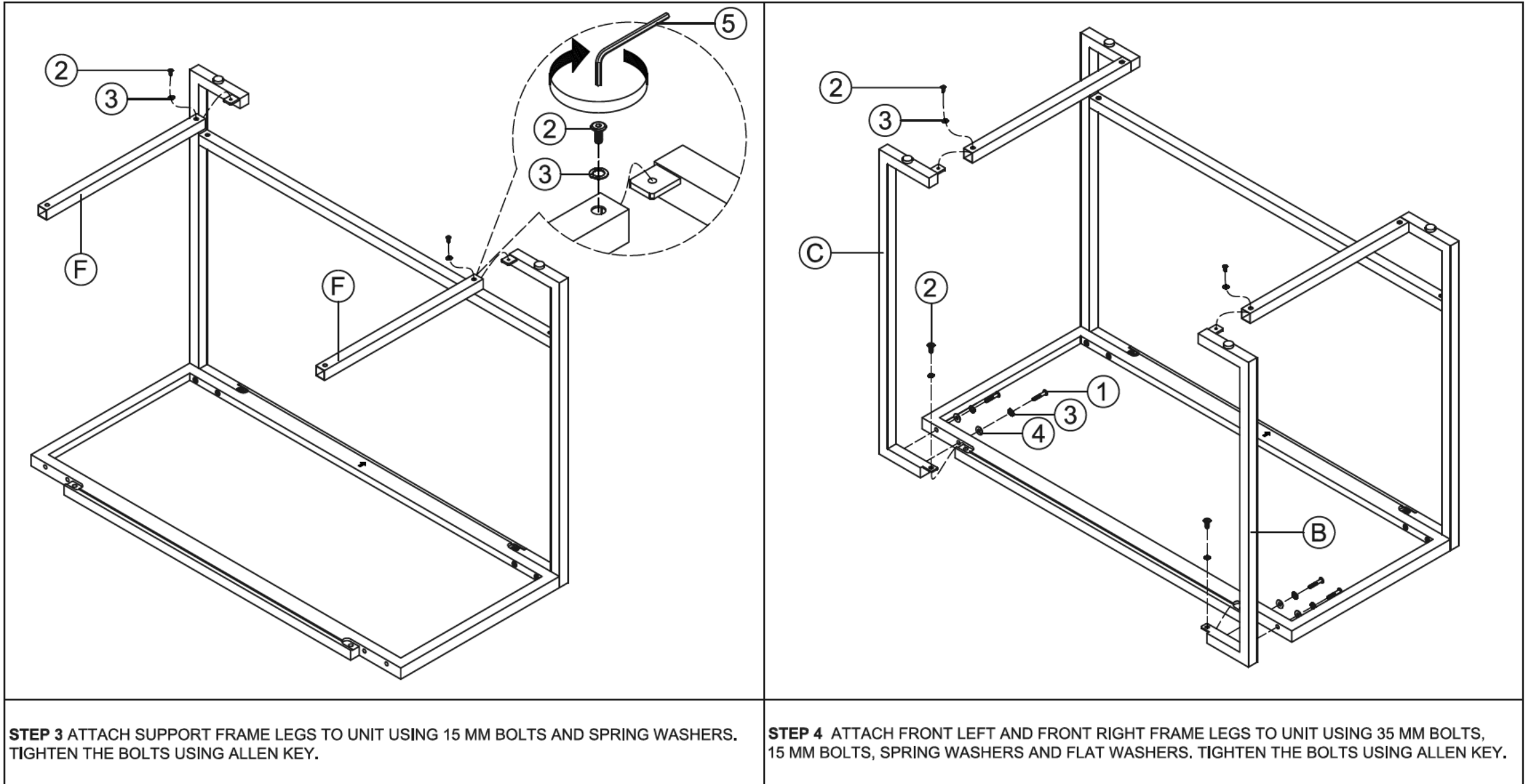
## PREPARATION

Before beginning assembly of product, make sure all parts are present. Compare parts with package contents list and hardware contents list.

If any part is missing or damaged, do not attempt to assemble the product.

Estimated Assembly Time: 60 minutes.

Tools Required for Assembly : Phillips Screwdriver



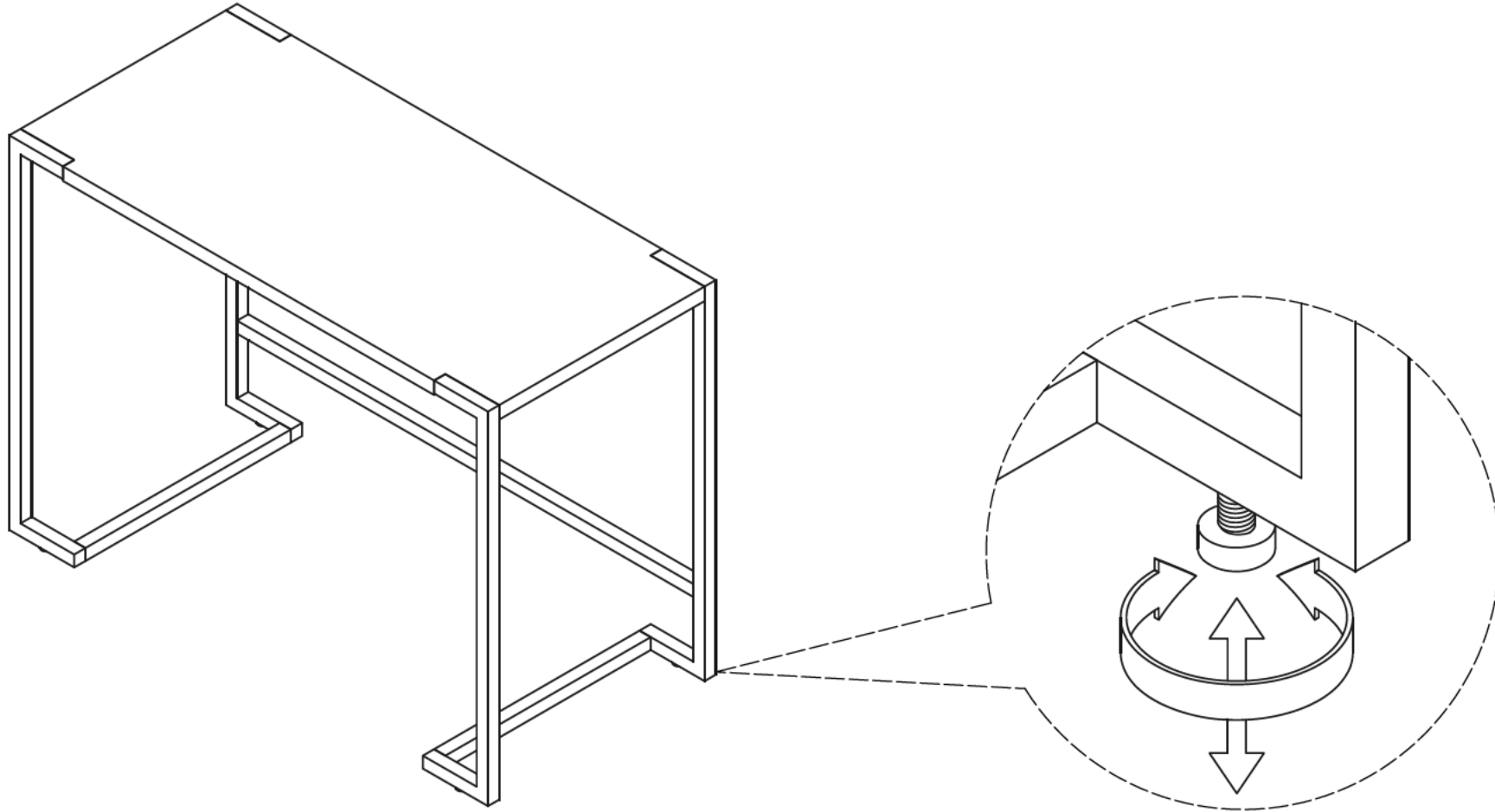
## PREPARATION

Before beginning assembly of product, make sure all parts are present. Compare parts with package contents list and hardware contents list.

If any part is missing or damaged, do not attempt to assemble the product.

Estimated Assembly Time: 60 minutes.

Tools Required for Assembly : Phillips Screwdriver



**STEP 5** ADJUST THE ADJUSTER THAT HAS ALREADY BEEN ASSEMBLED TO THE LEGS TO STABILIZE YOUR UNIT.