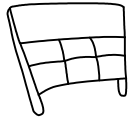


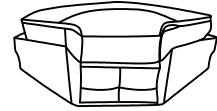
# ASSEMBLY INSTRUCTION



AX1

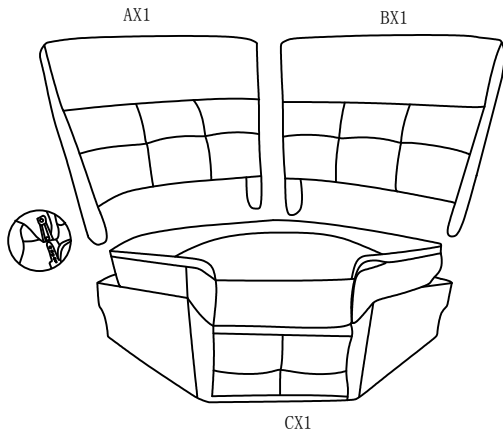


BX1

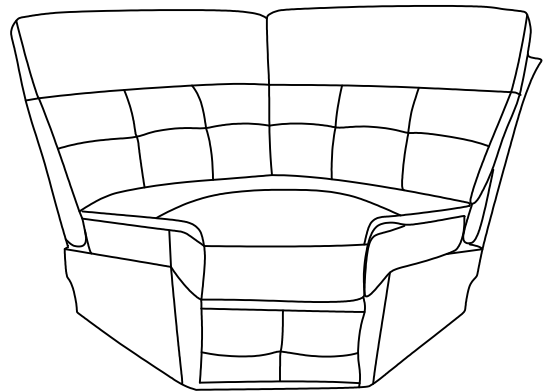


CX1

## STEP 1



## STEP 2



## STEP 3

