



Instruction Manual

Thanks a lot for your purchasing!

Please feel free to contact us if you have any questions with assembly or need replacement parts.

Our customer service email:

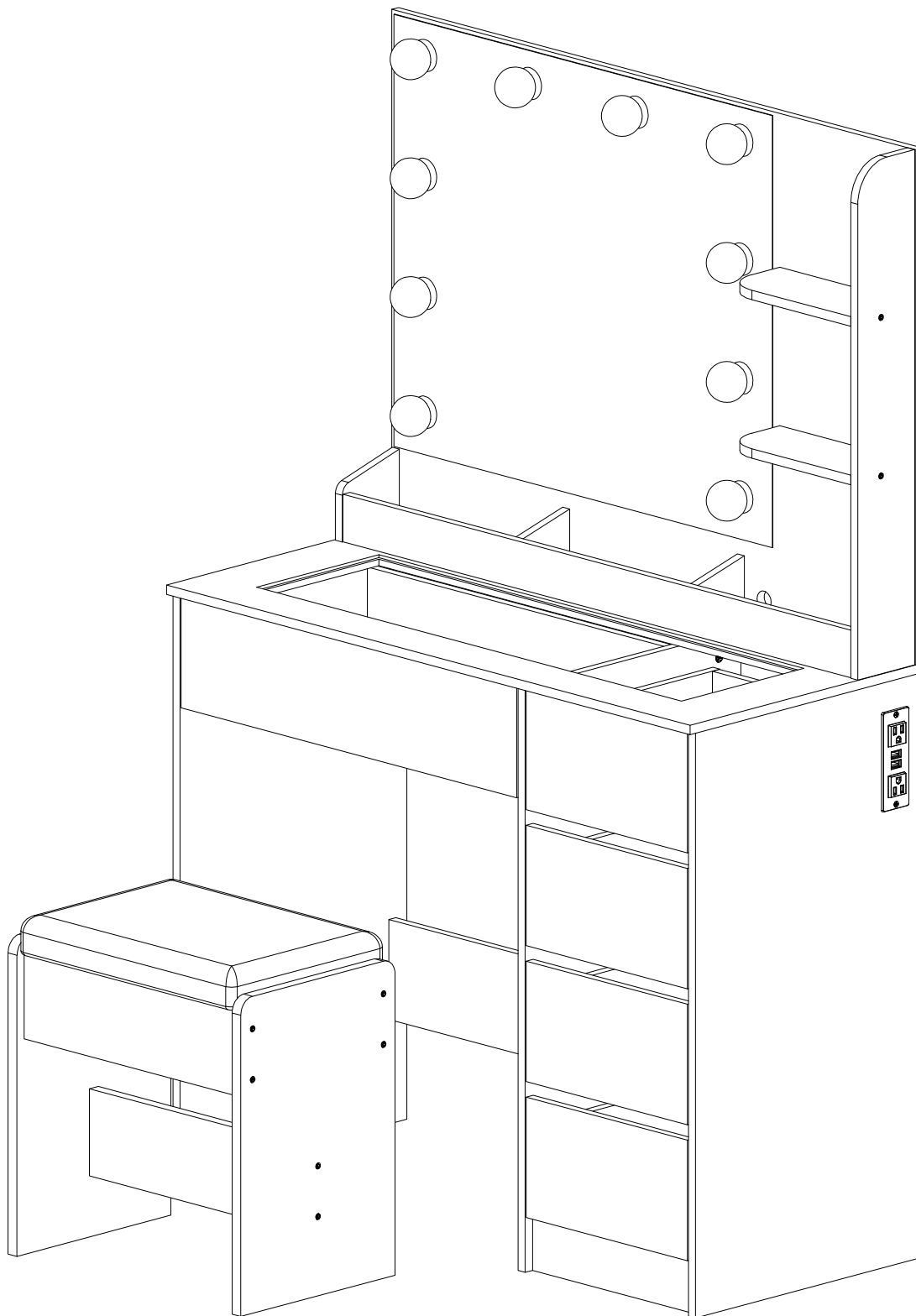
European: ANWBROADUK@outlook.com

North American: Aonaweius@outlook.com

Please attach your Order ID so that we can assist you more effectively.

Assembly Instruction

Decorate your home, Brighten wonderful life



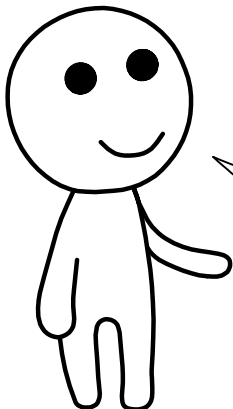
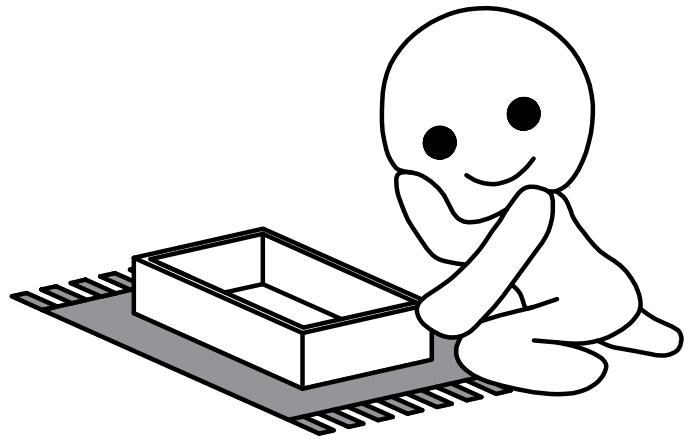
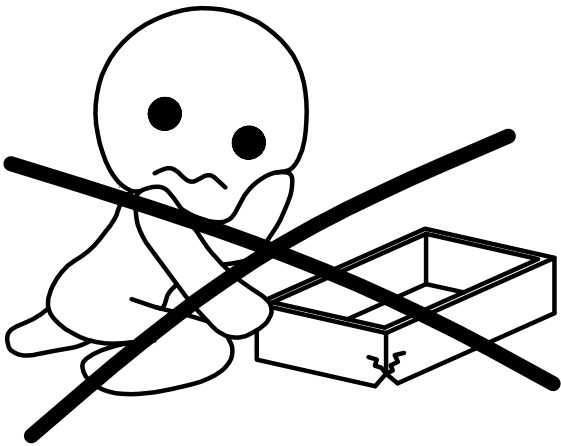
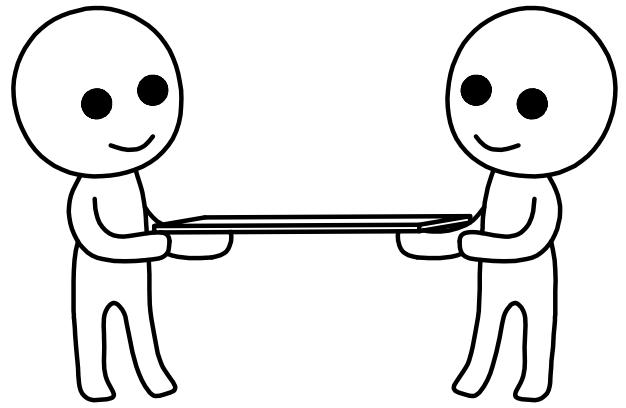
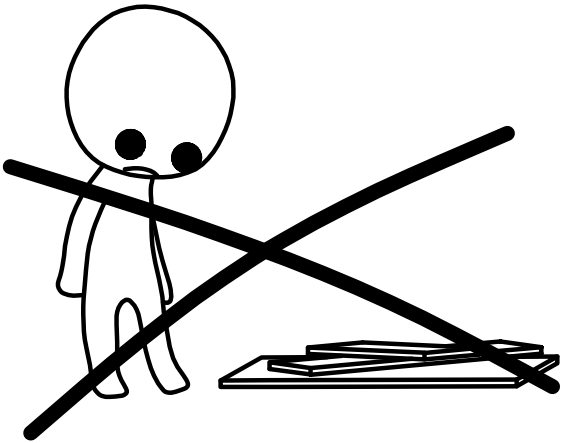
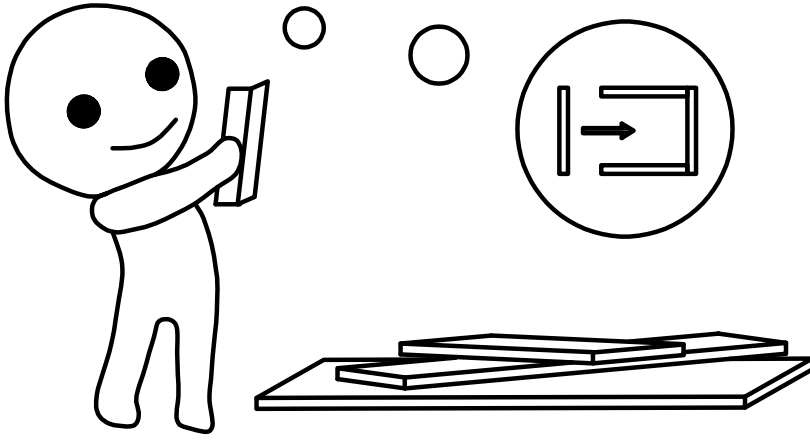
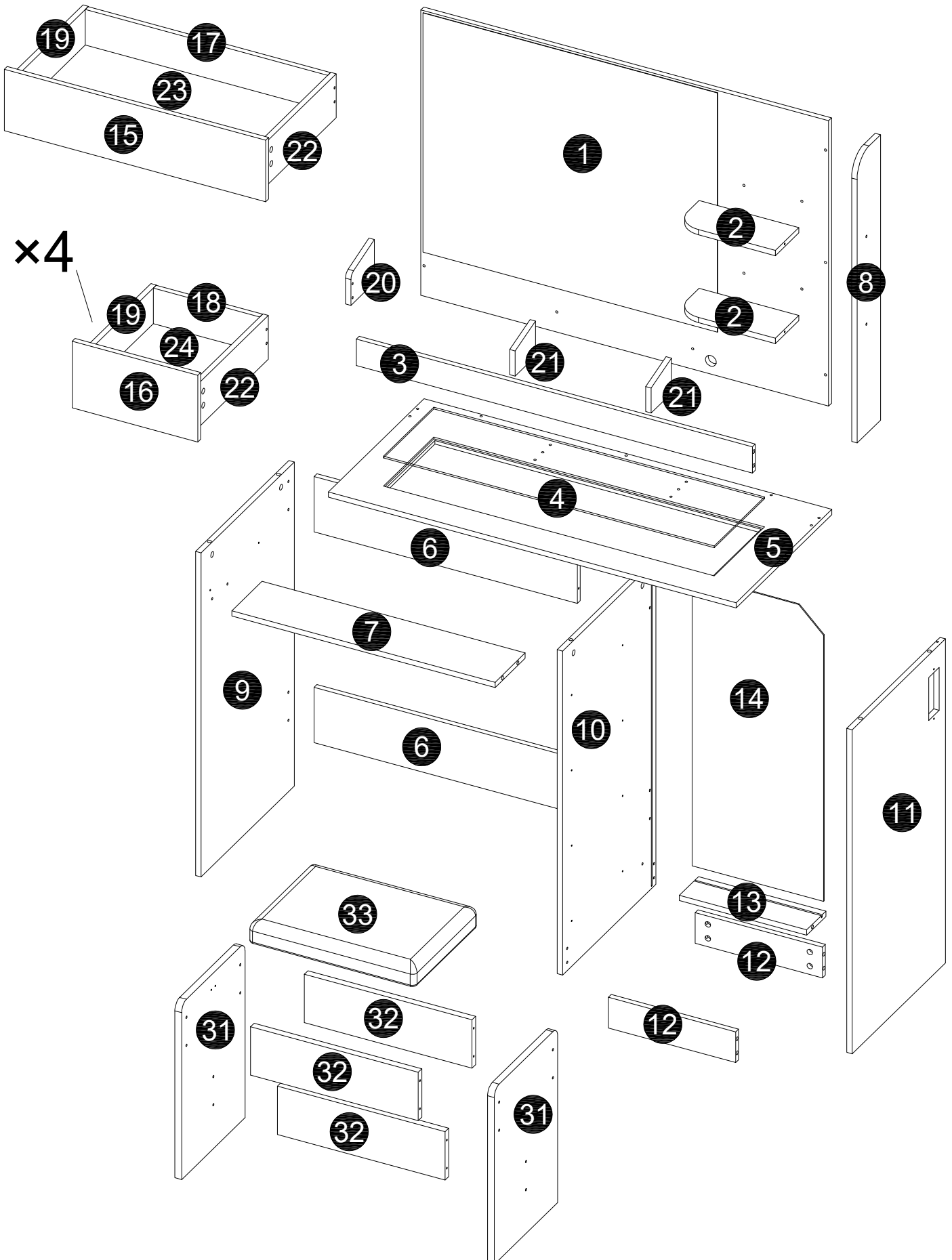
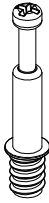

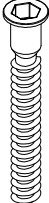
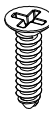
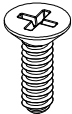

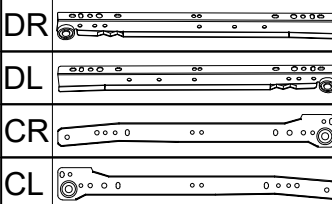
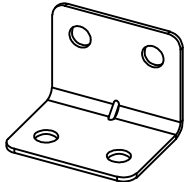
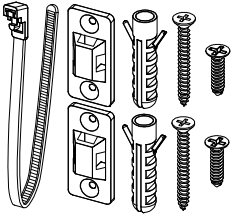
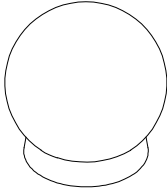
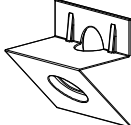
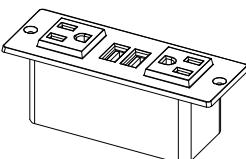
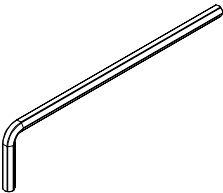


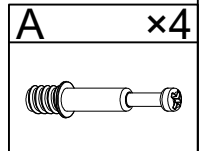
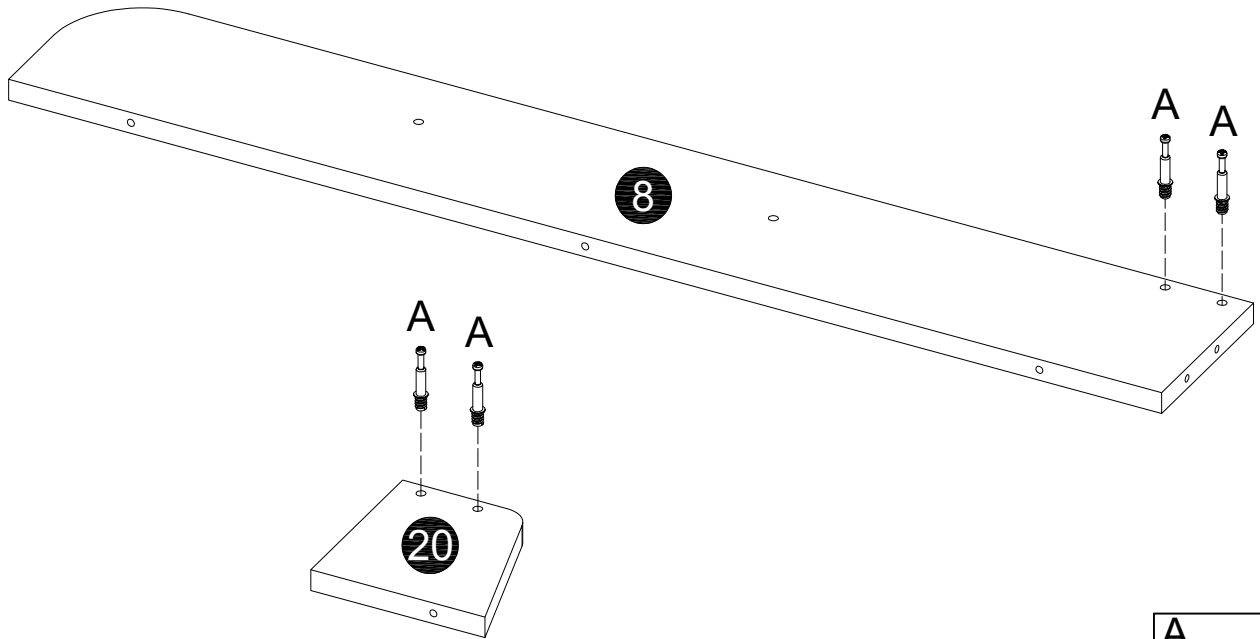
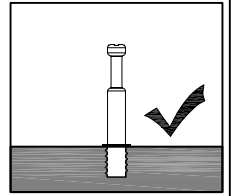
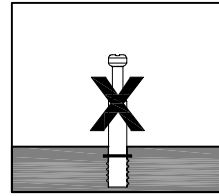
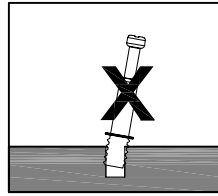
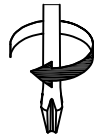
PLATE NUMBER



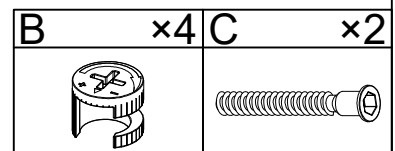
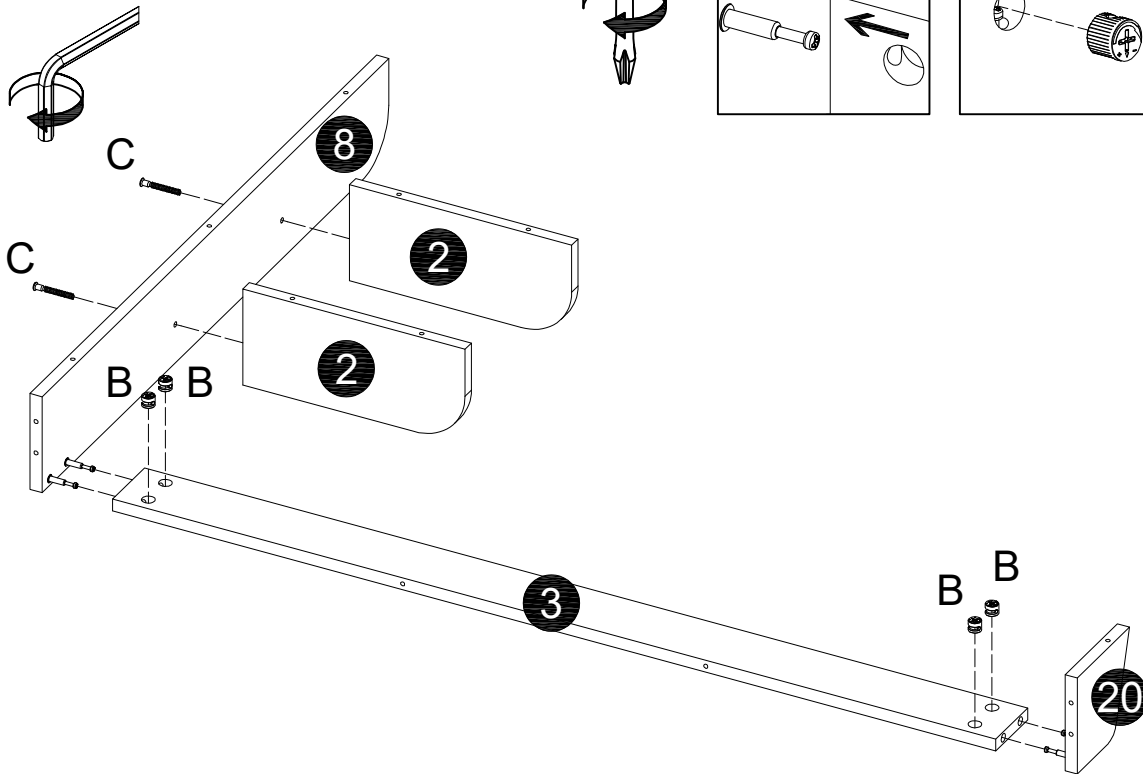
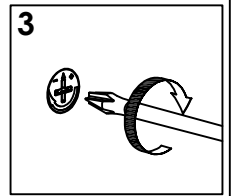
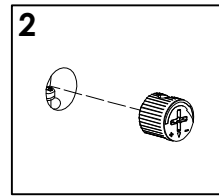
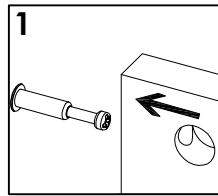
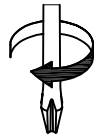
ACCESSORIES LIST

<p>A ×44</p>  <p>M6×35</p>	<p>B ×44</p>  <p>12×10</p>	<p>C ×64</p>  <p>M5×40</p>	<p>D ×40</p>  <p>M3×12</p>
<p>E ×2</p>  <p>M3.5×12</p>	<p>F ×12</p>  <p>M3.5×14</p>	<p>G ×5</p>  <p>HG-30</p>	<p>H ×2</p>  <p>L-JM-17</p>
<p>J ×1</p>  <p>FDQ</p>	<p>K ×10</p>  <p>BGD-Z×10</p>	<p>L ×4</p>  <p>BBK</p>	<p>M ×1</p>  <p>CZ</p>
<p>×1</p>  <p>BS</p>			

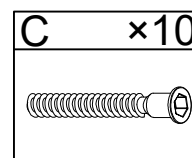
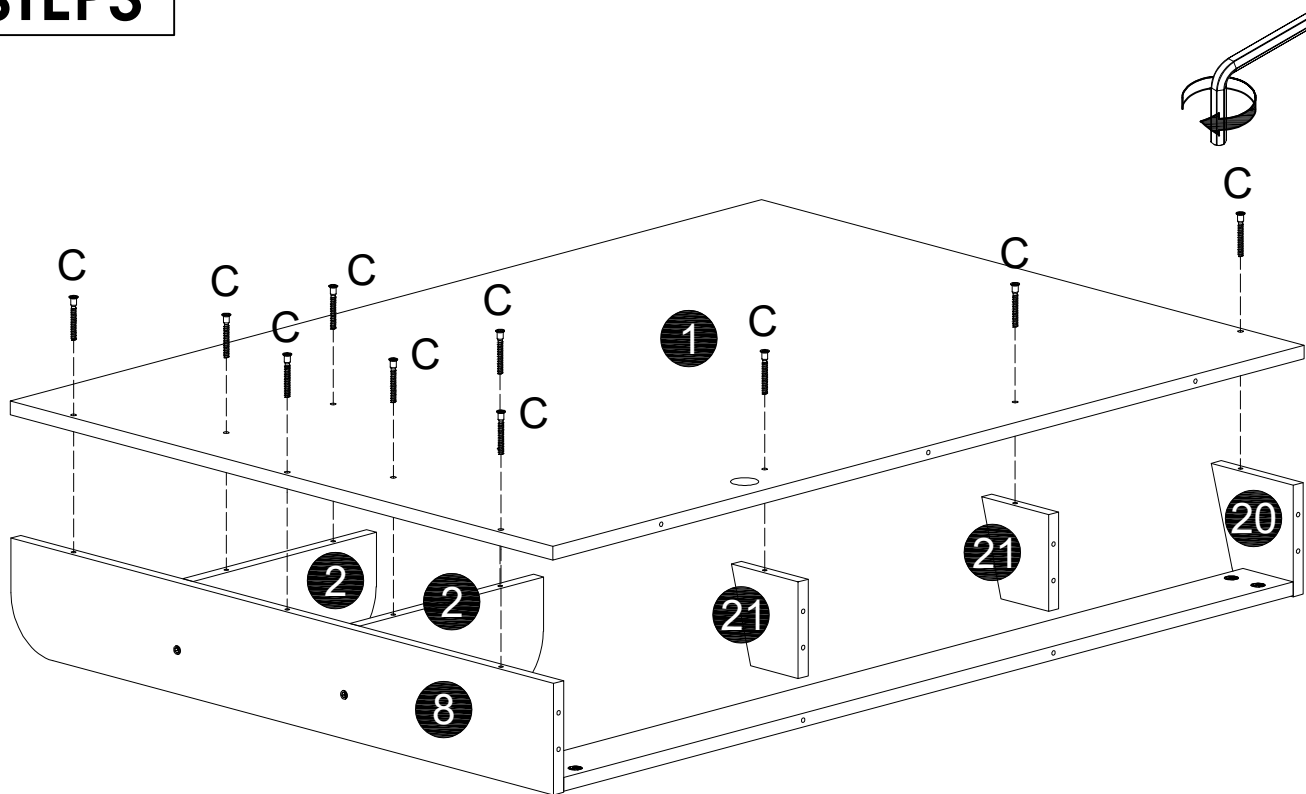
STEP 1



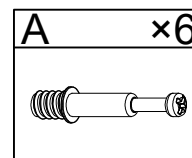
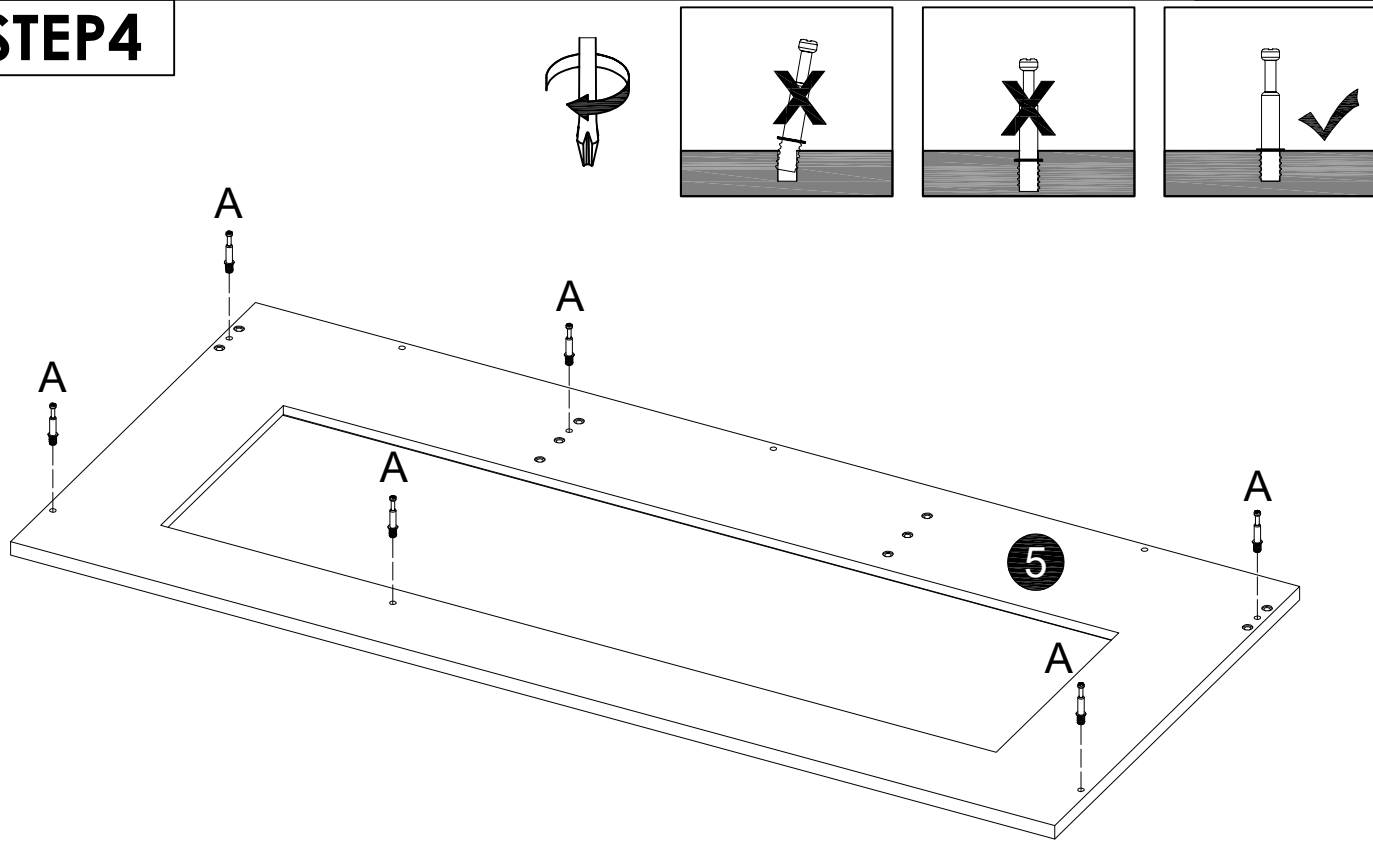
STEP 2



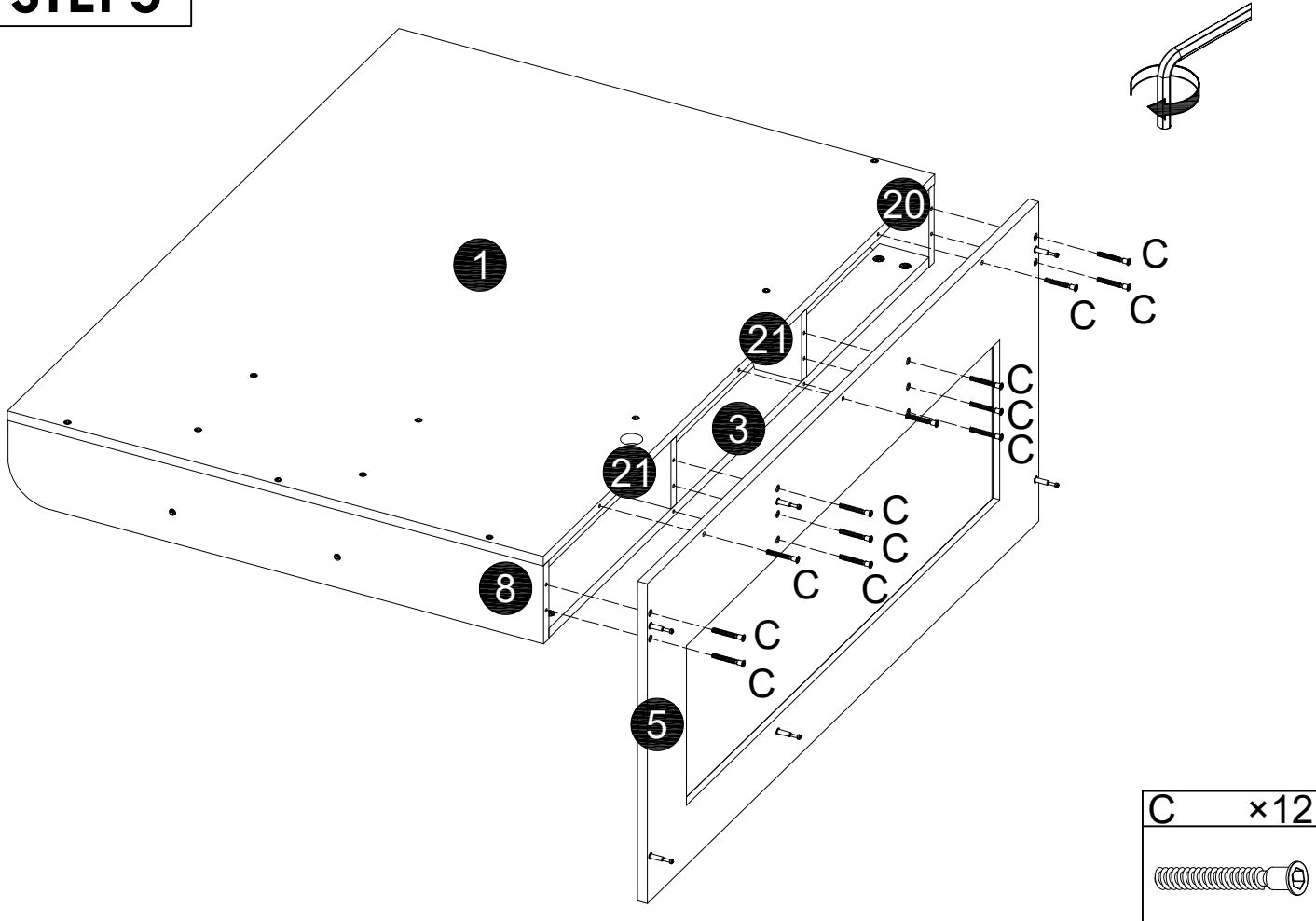
STEP 3



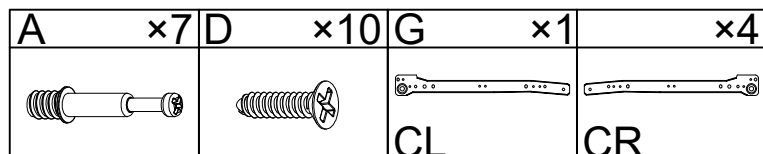
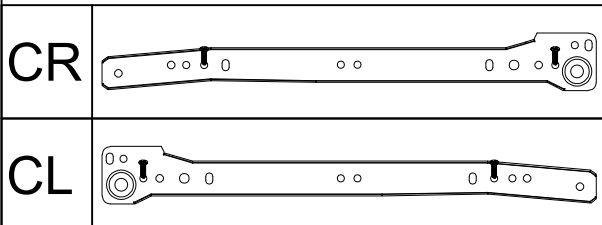
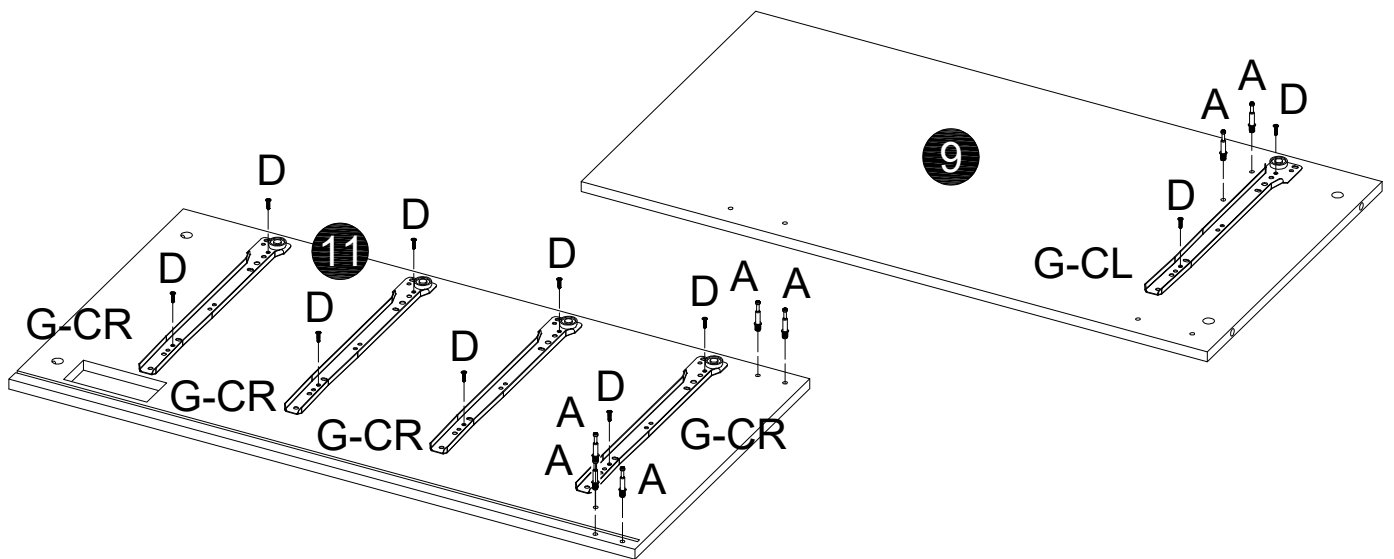
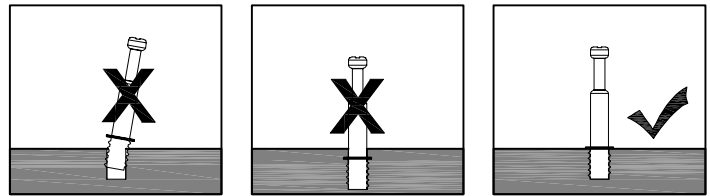
STEP 4



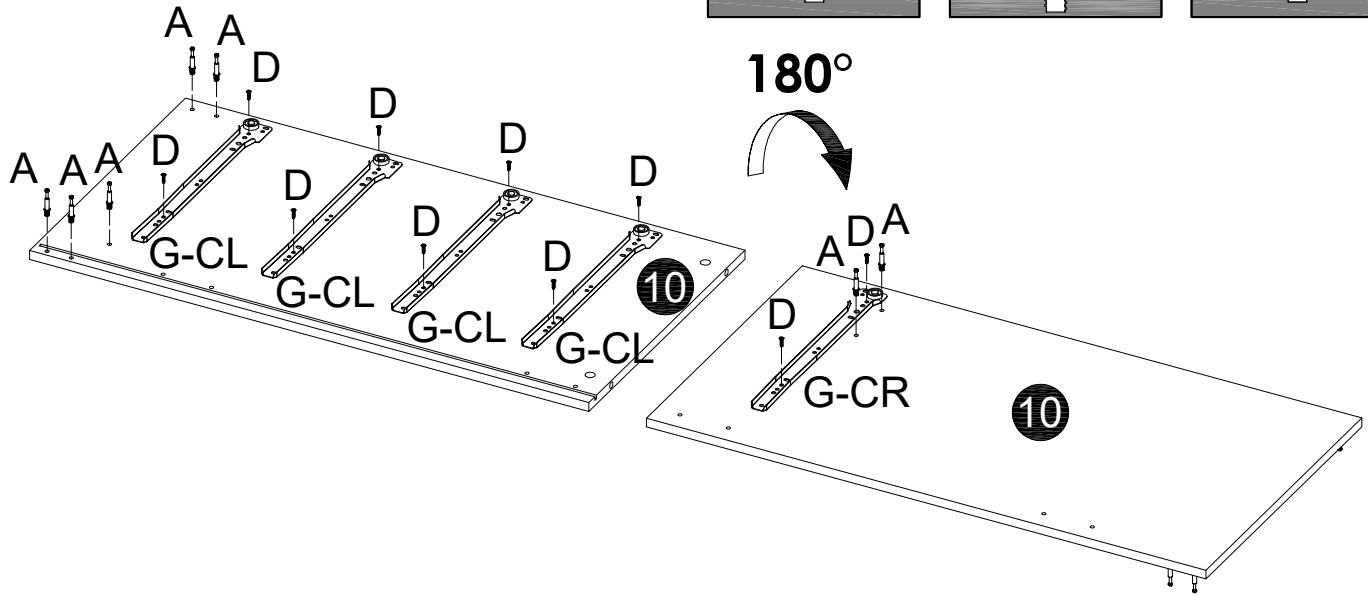
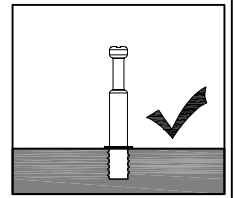
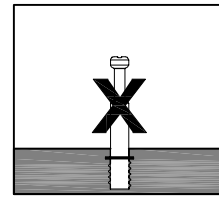
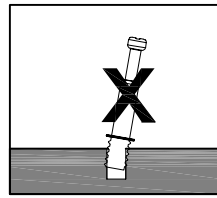
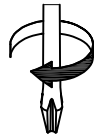
STEP 5



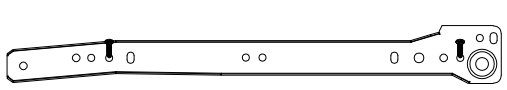
STEP 6



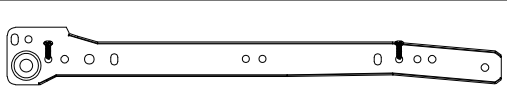
STEP 7



CR

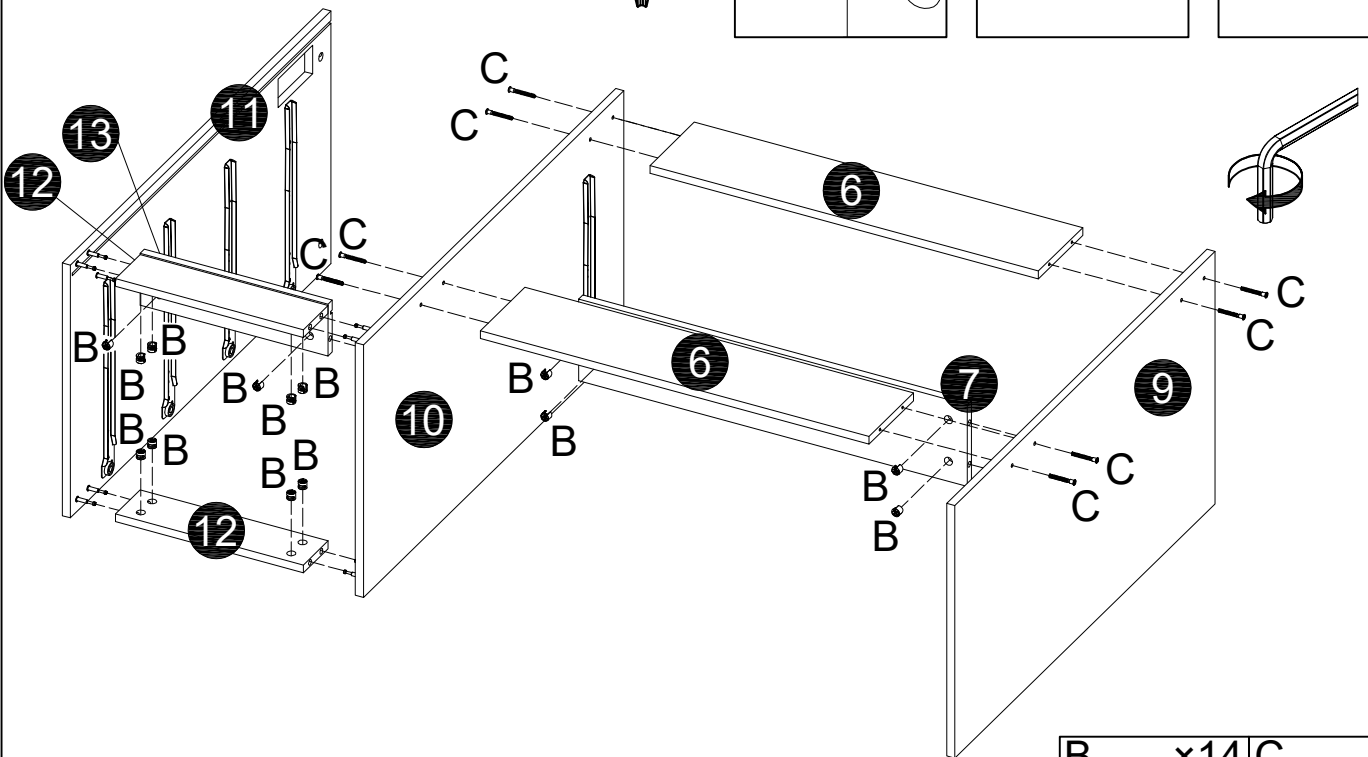
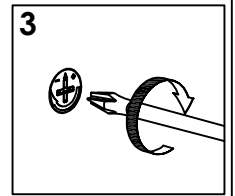
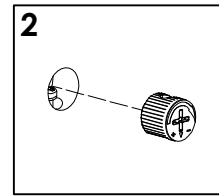
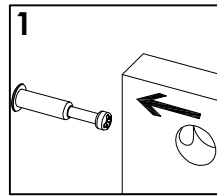
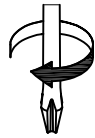


CL



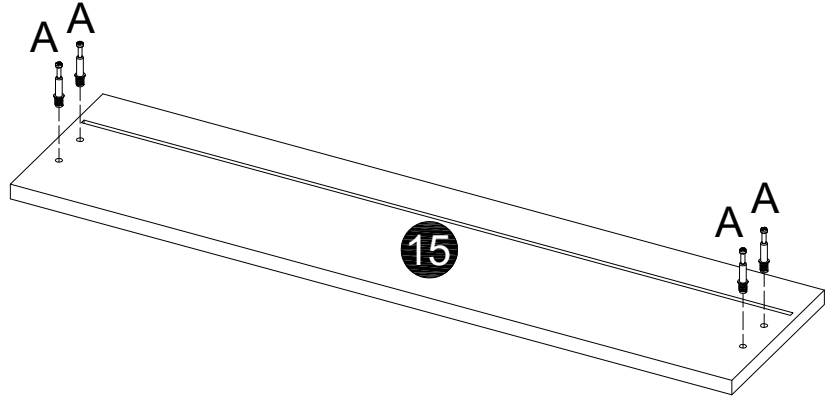
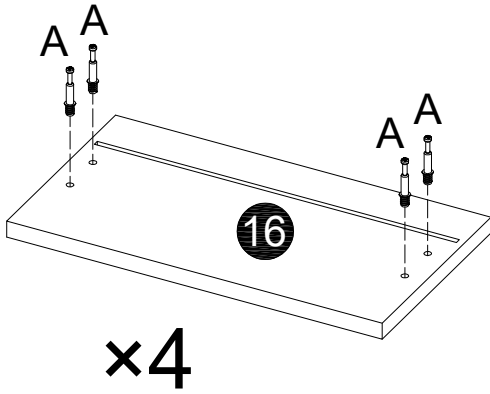
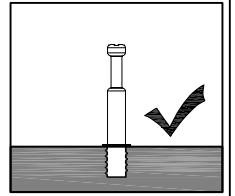
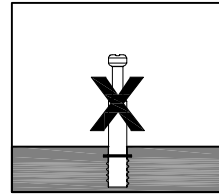
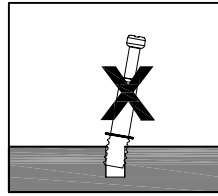
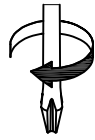
A	x7	D	x10	G	x4		x1
						CL	CR

STEP 8

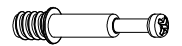


B	x14	C	x8

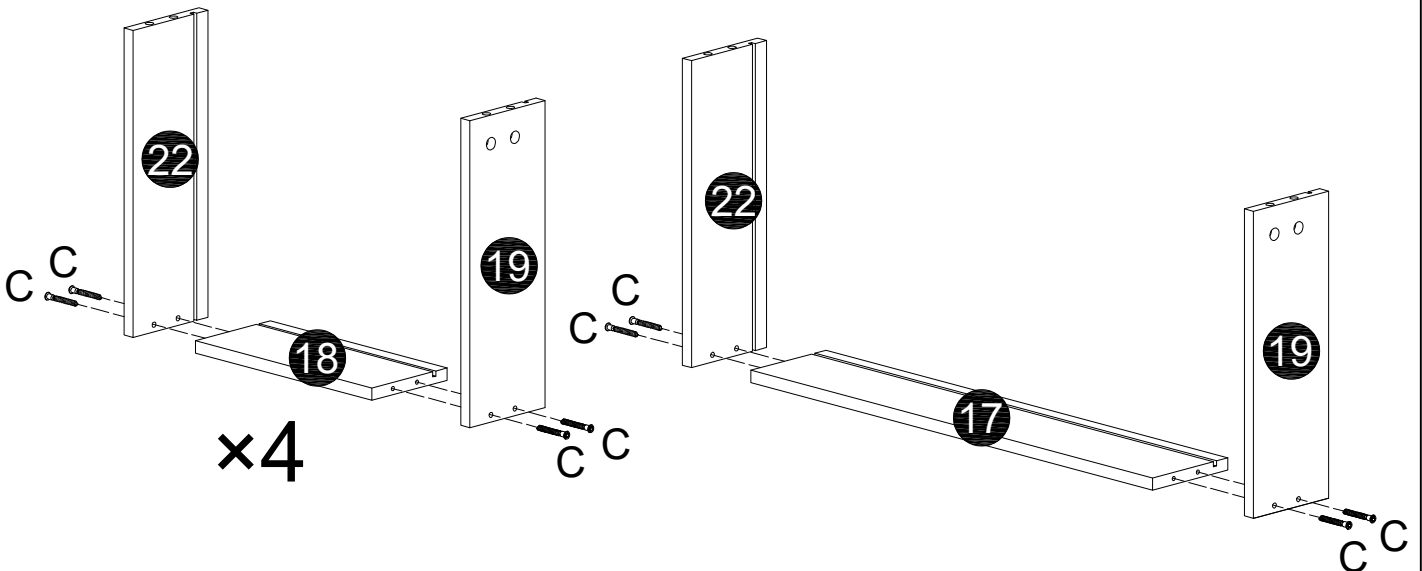
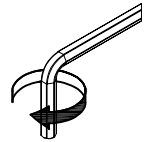
STEP 9



A x20



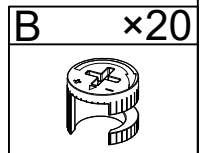
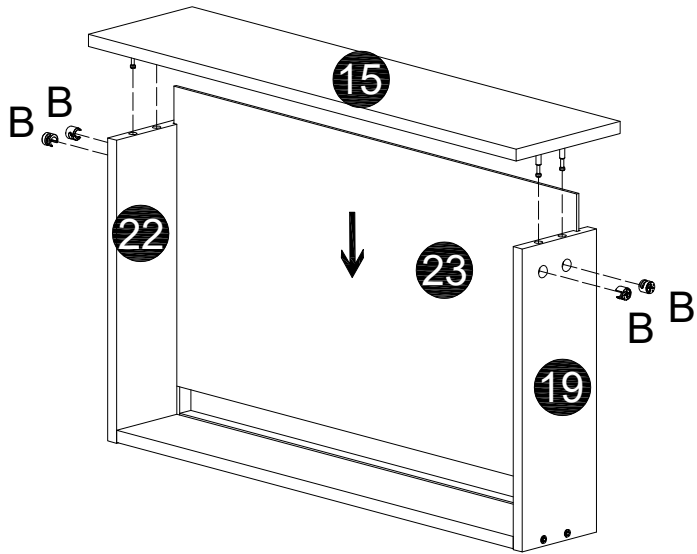
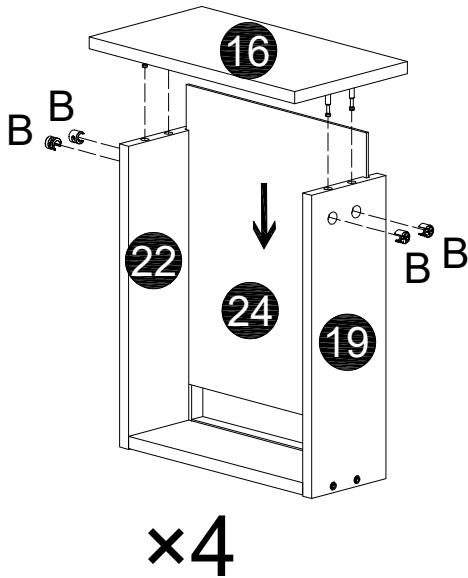
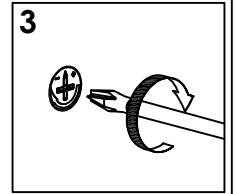
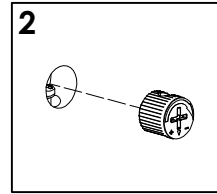
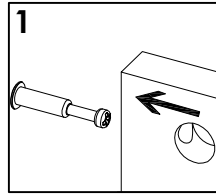
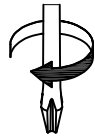
STEP 10



C x20

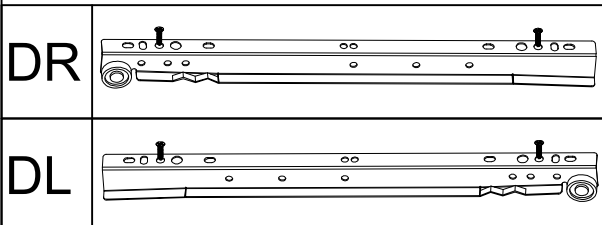
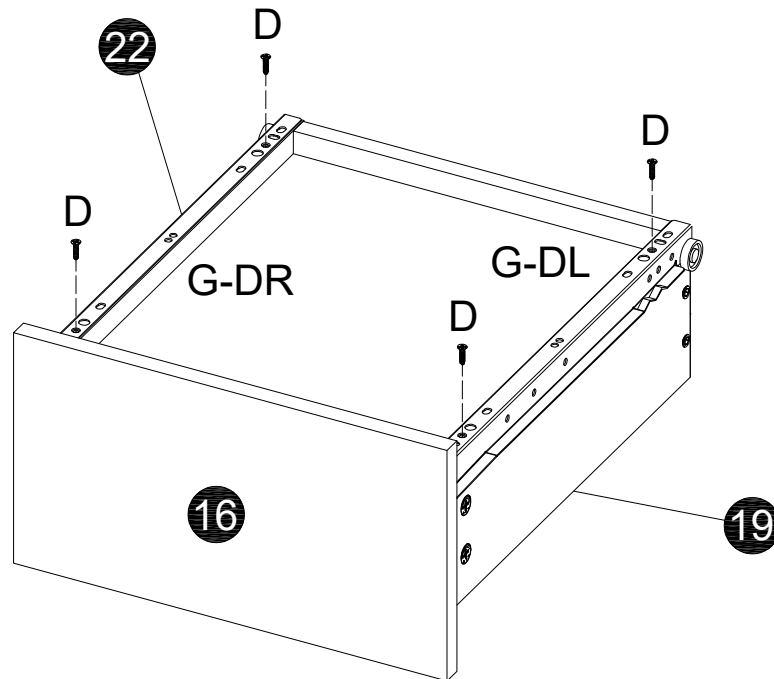
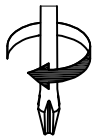


STEP 11

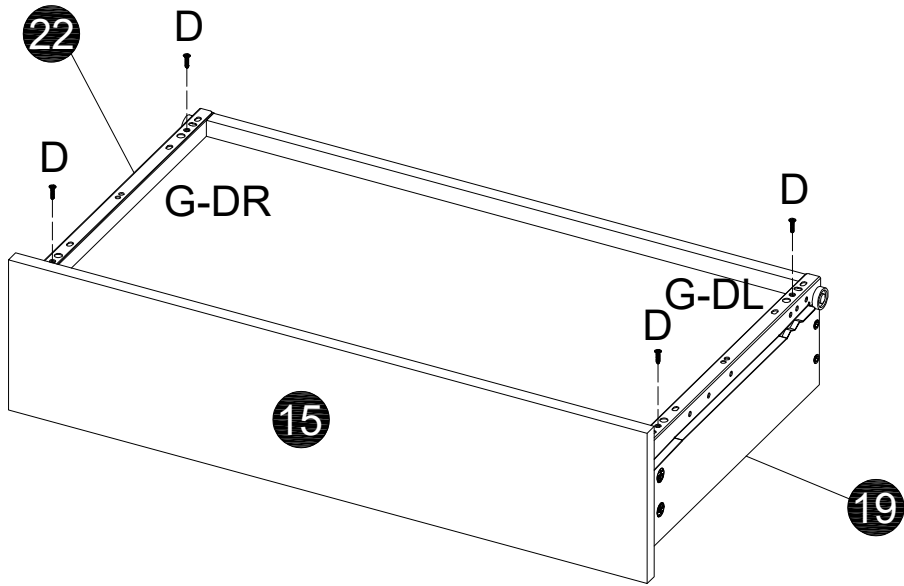


STEP 12

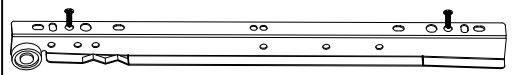
x4



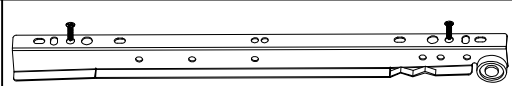
STEP 13



DR

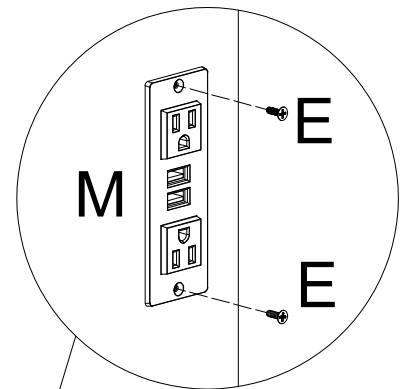
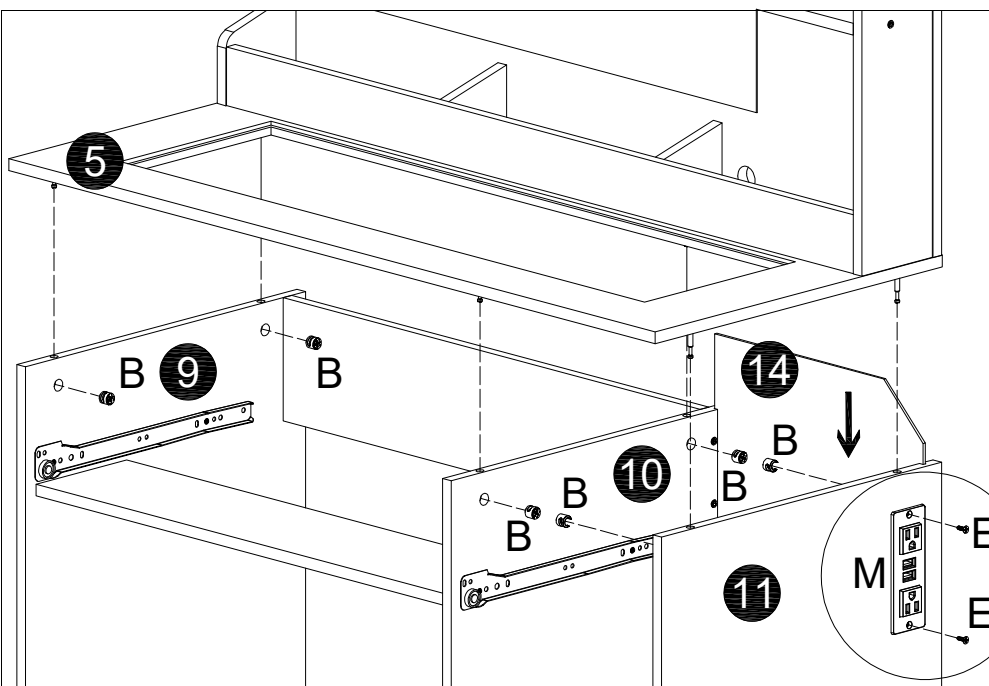
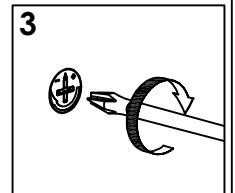
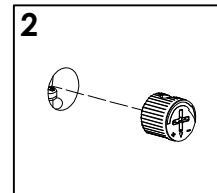
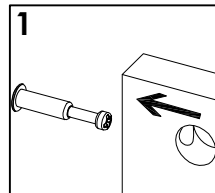
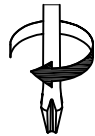


DL



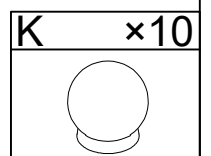
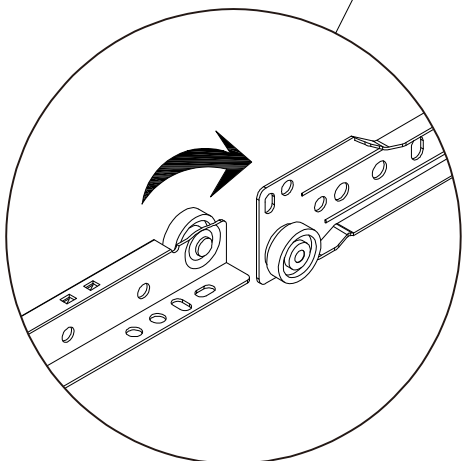
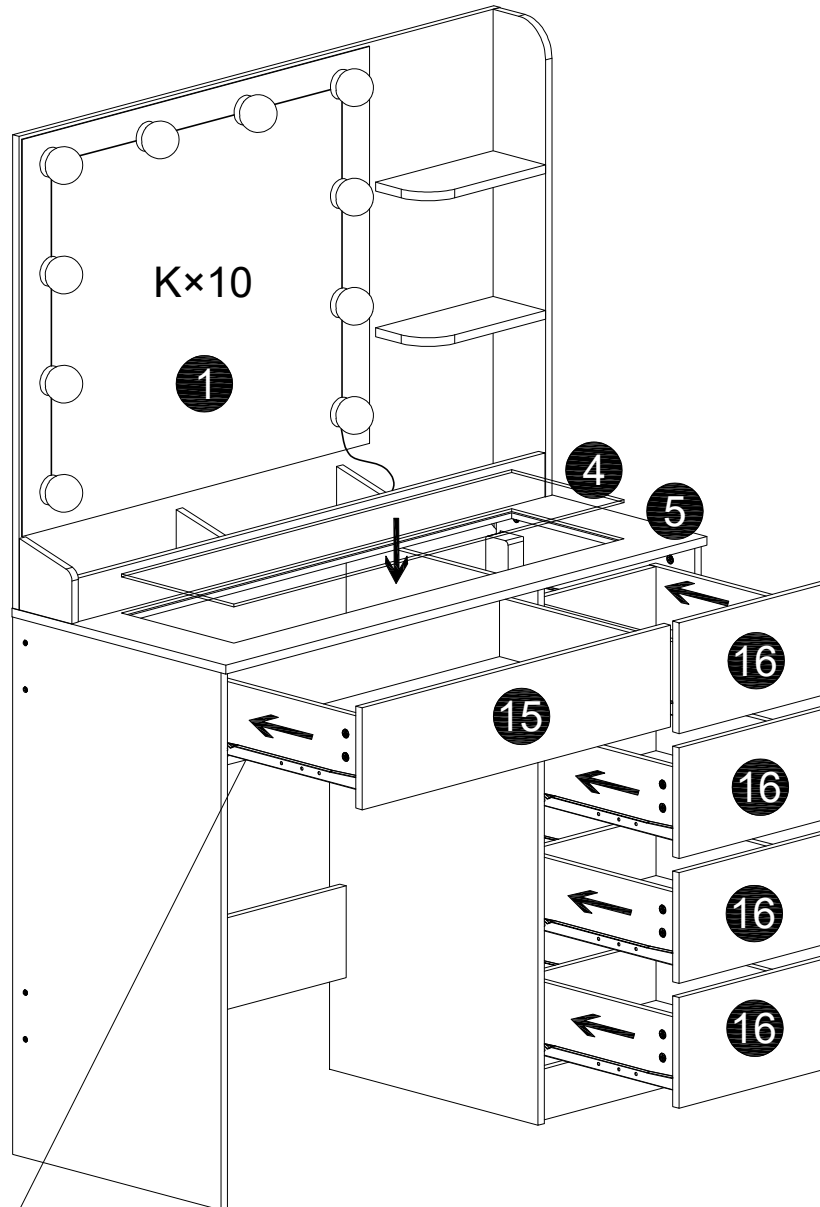
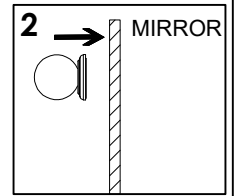
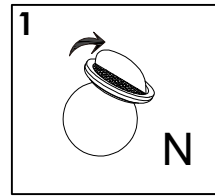
D	x4	G	x1
		DL	DR

STEP 14

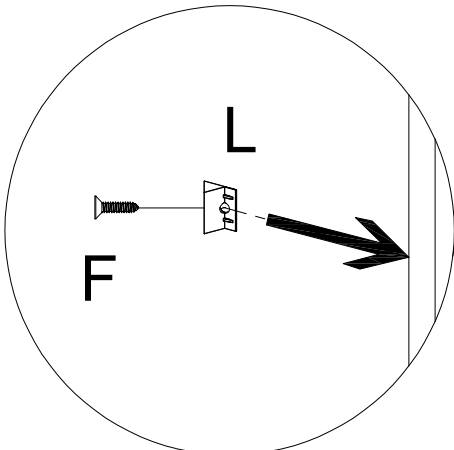
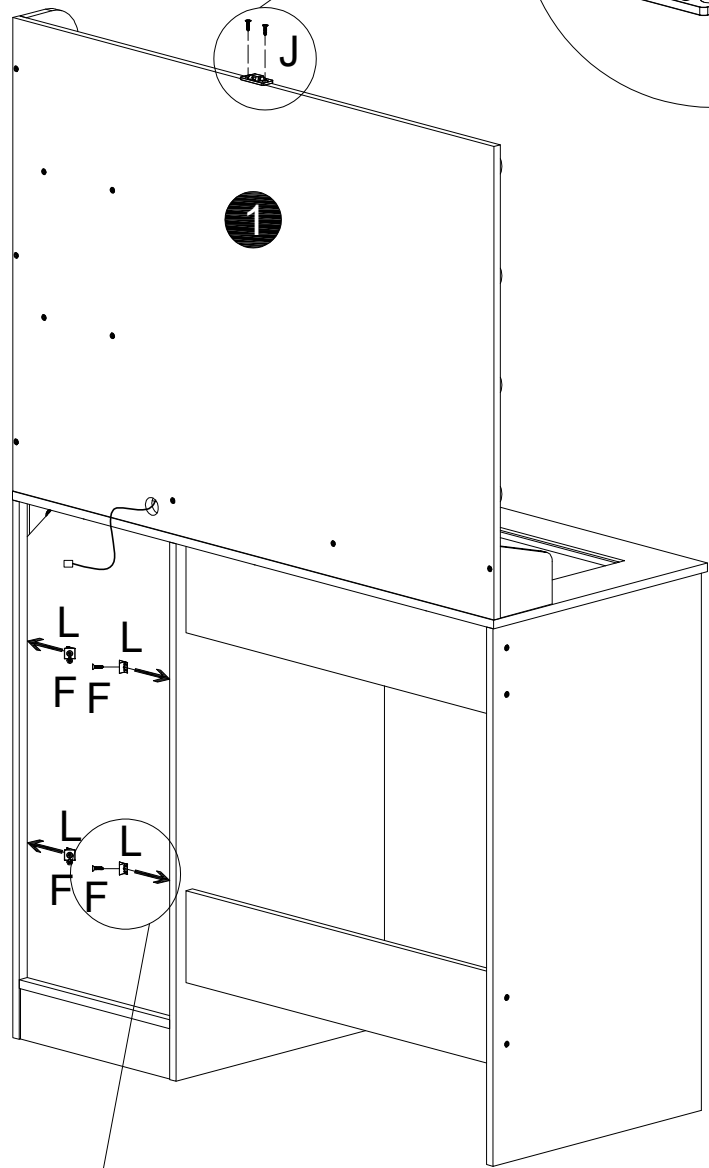
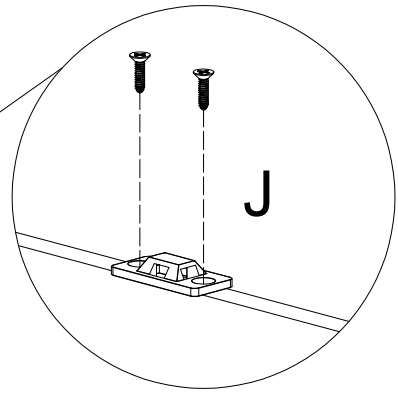
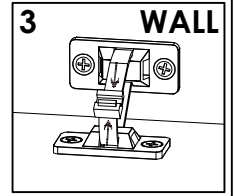
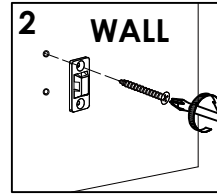
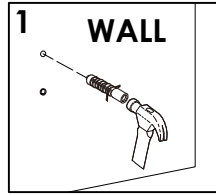
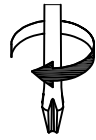


B	x6	
E	x2	
M	x1	

STEP 15

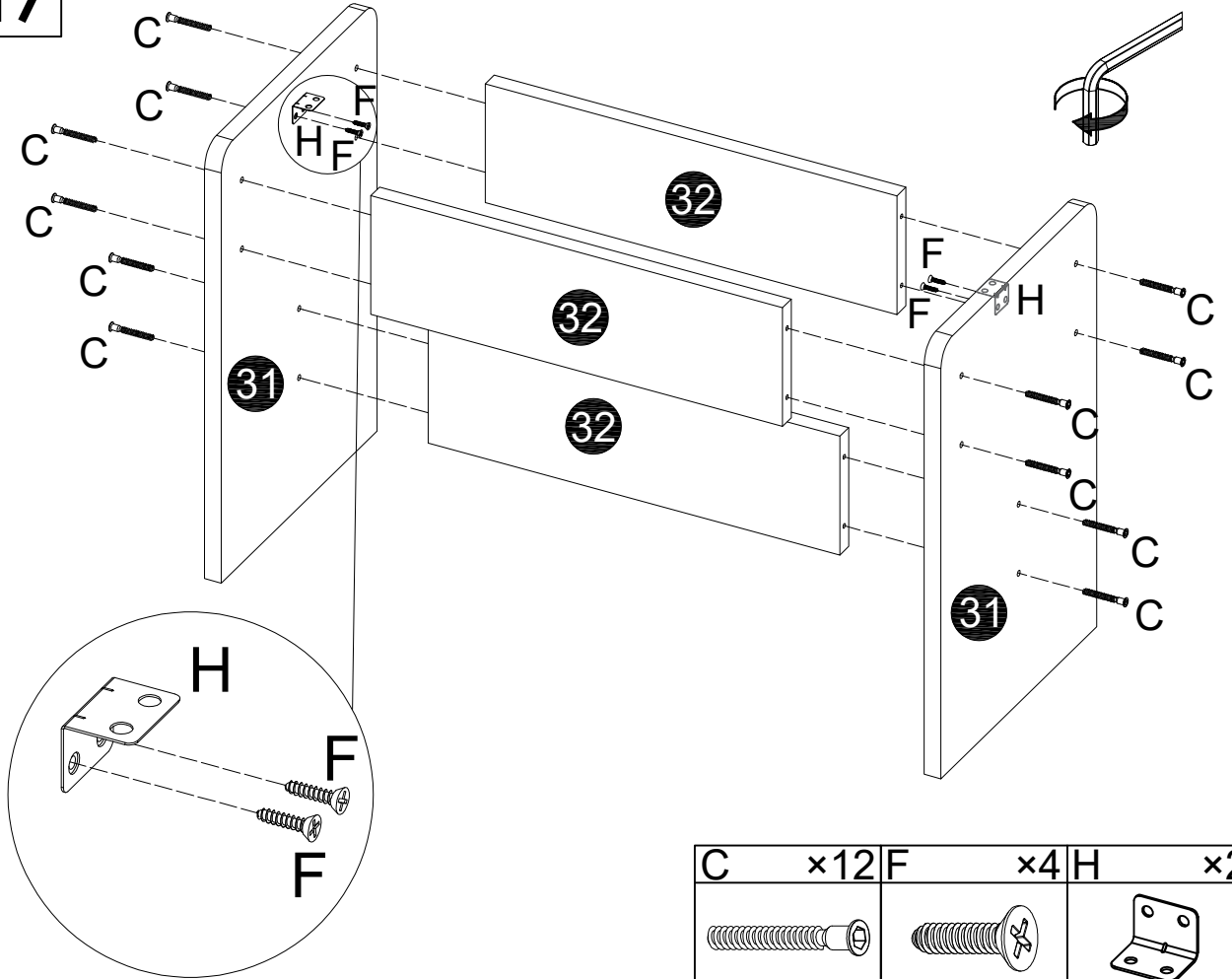


STEP 16



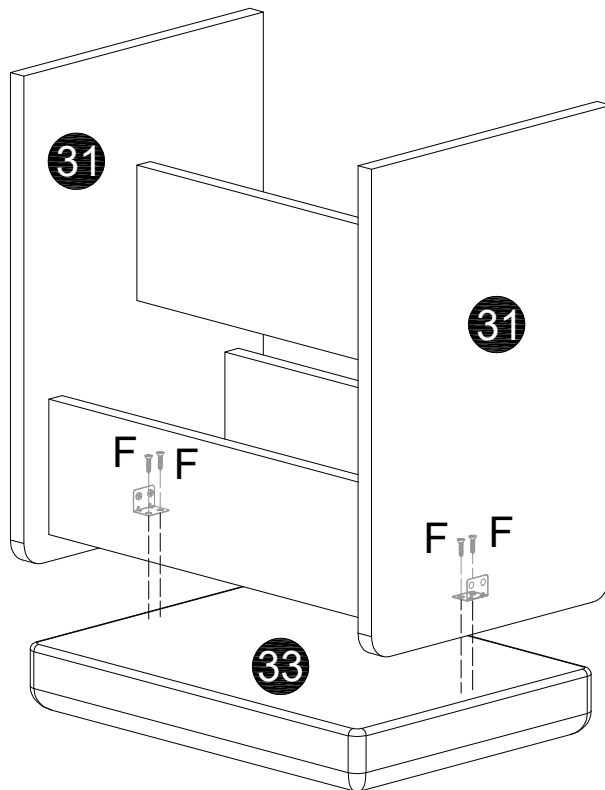
F	x4	J	x1	L	x4

STEP 17



C	x12	F	x4	H	x2

STEP 18



F	x4