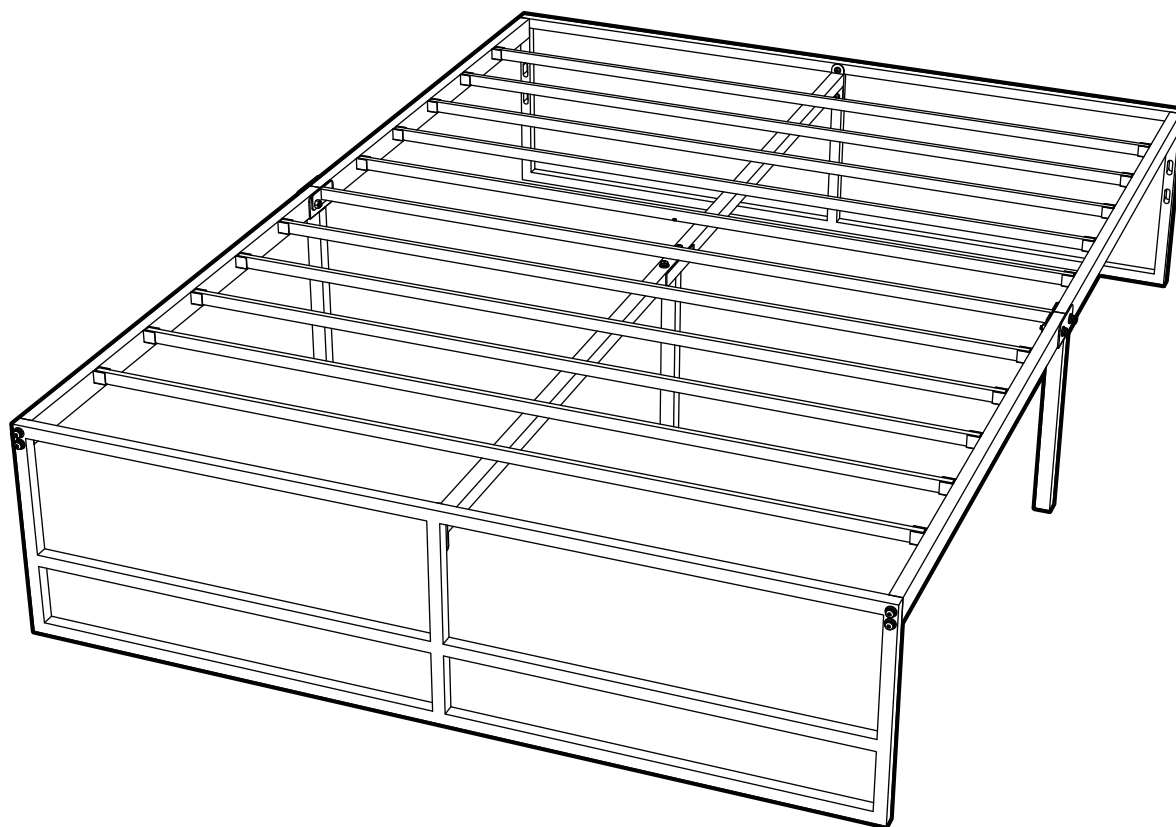


Platform Bed Frame

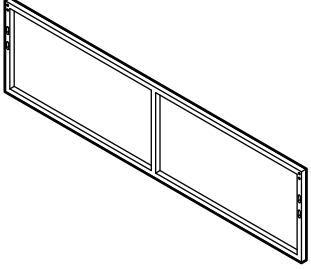
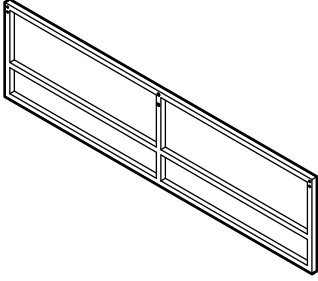
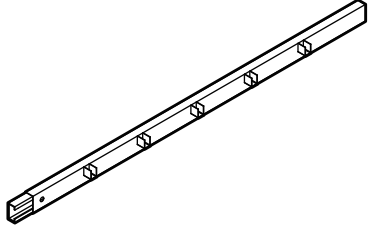
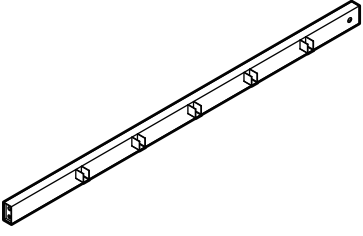
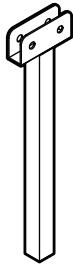
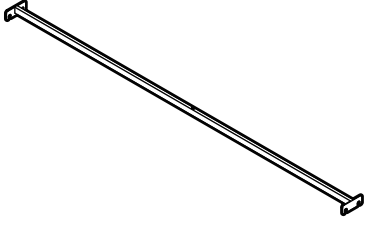
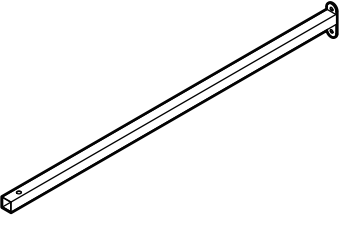
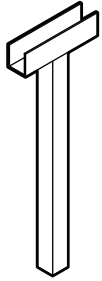
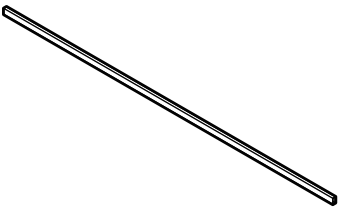
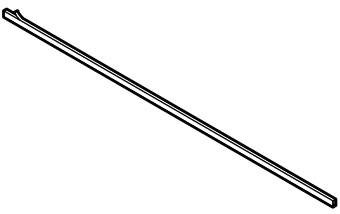
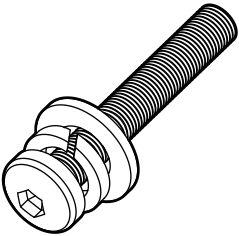
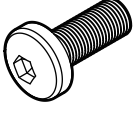
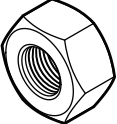

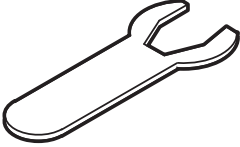
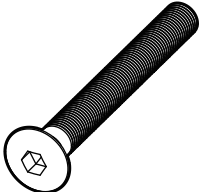
ORIGINAL INSTRUCTION MANUAL



DEAR CUSTOMER,

Thank you for choosing our product. Please read this manual carefully before assembling or using the product, to avoid damage caused by improper use. If the product is passed on to third parties, this manual has to be passed on along with the product. For any question don't hesitate to contact us.

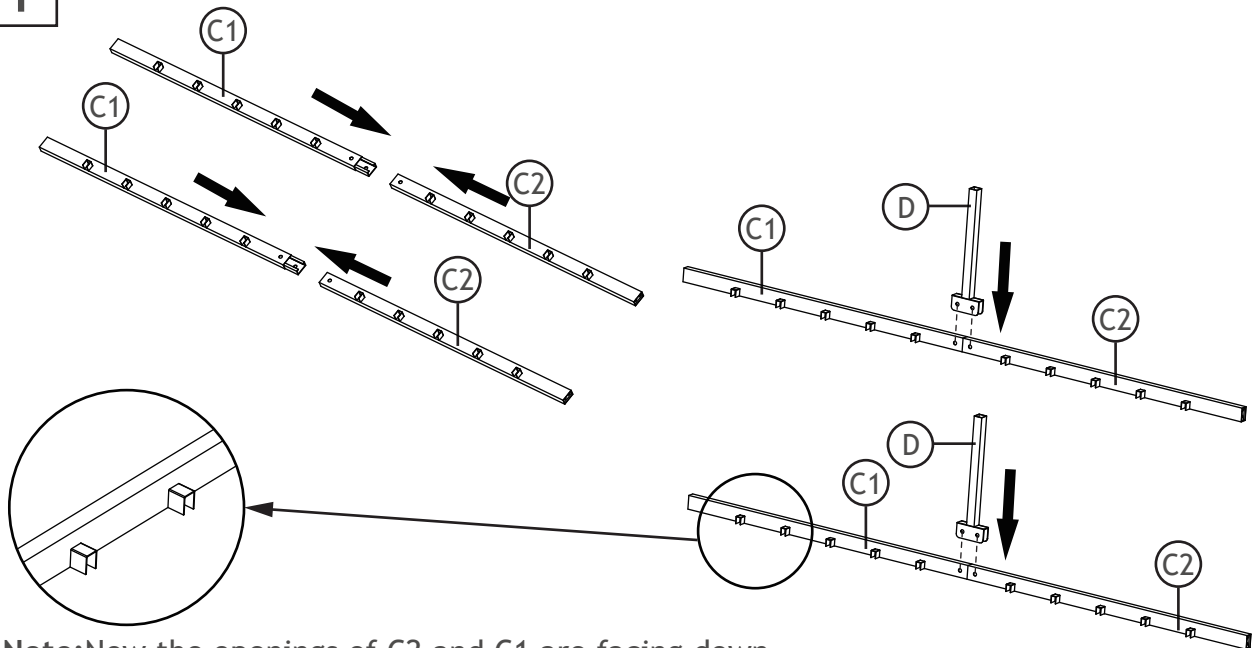
PARTS LIST

<p>A</p> <p>1×</p> 	<p>B</p> <p>1×</p> 	<p>C1</p> <p>2×</p> 	
<p>C2</p> <p>2×</p> 	<p>D</p> <p>2×</p> 	<p>E</p> <p>1×</p> 	
<p>F</p> <p>2×</p> 	<p>G</p> <p>1×</p> 	<p>I1</p> <p>8×</p> 	
<p>I2</p> <p>2×</p> 	<p>K1</p> <p>14×</p>  <p>M8×40</p>	<p>K2</p> <p>4×</p>  <p>M8×18</p>	
<p>K3</p> <p>6×</p>  <p>M8</p>	<p>K4</p> <p>1×</p>  <p>Spanner</p>	<p>K5</p> <p>1×</p>  <p>Spanner</p>	<p>K6</p> <p>1×</p>  <p>M6×50</p>

ASSEMBLY

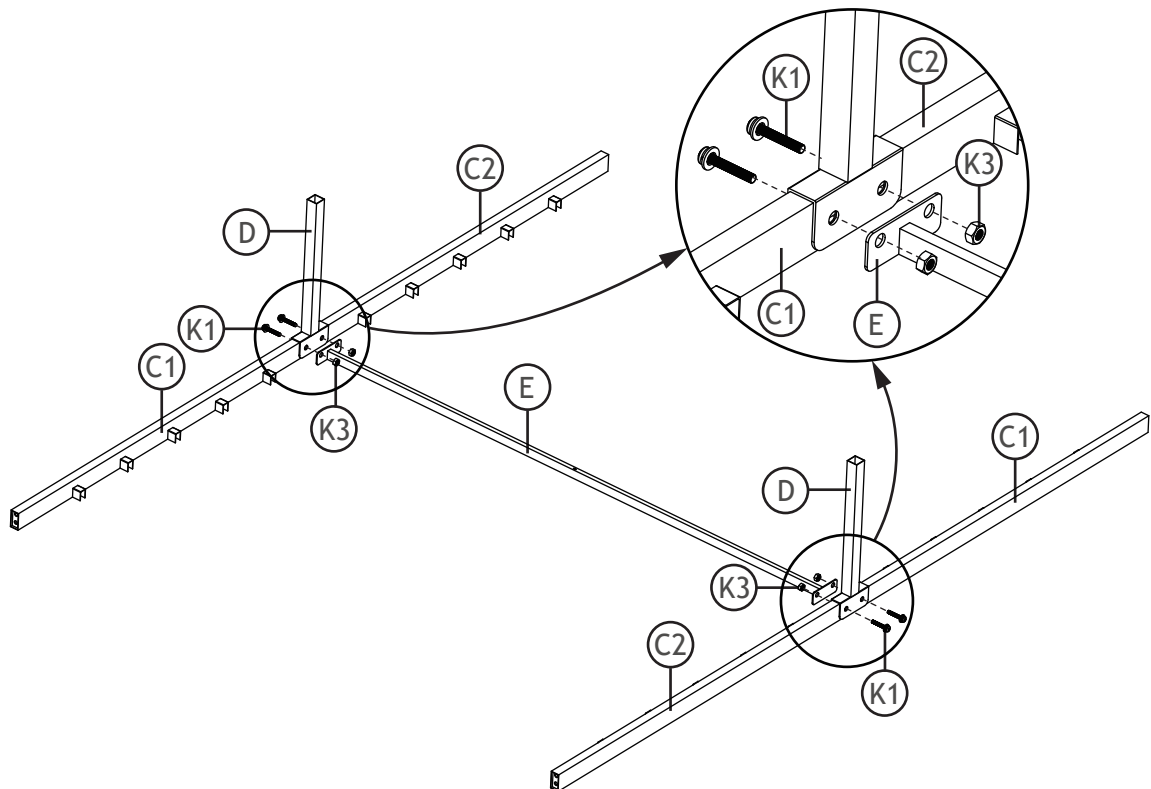
Before your installation, please make sure that you have all the parts listed on the manual. If you find something missing, stop installing and contact your supplier immediately.

1

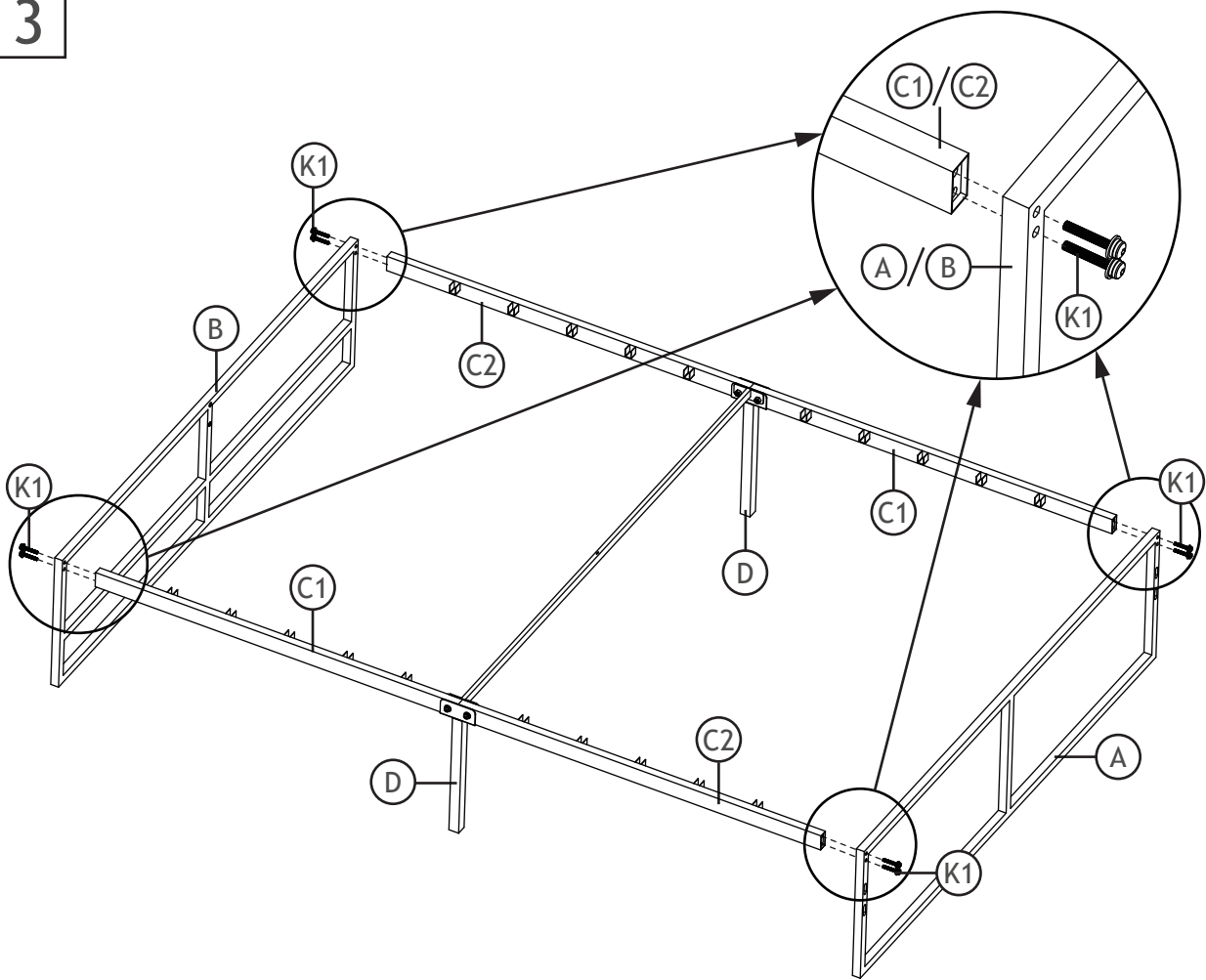


Note: Now the openings of C2 and C1 are facing down.

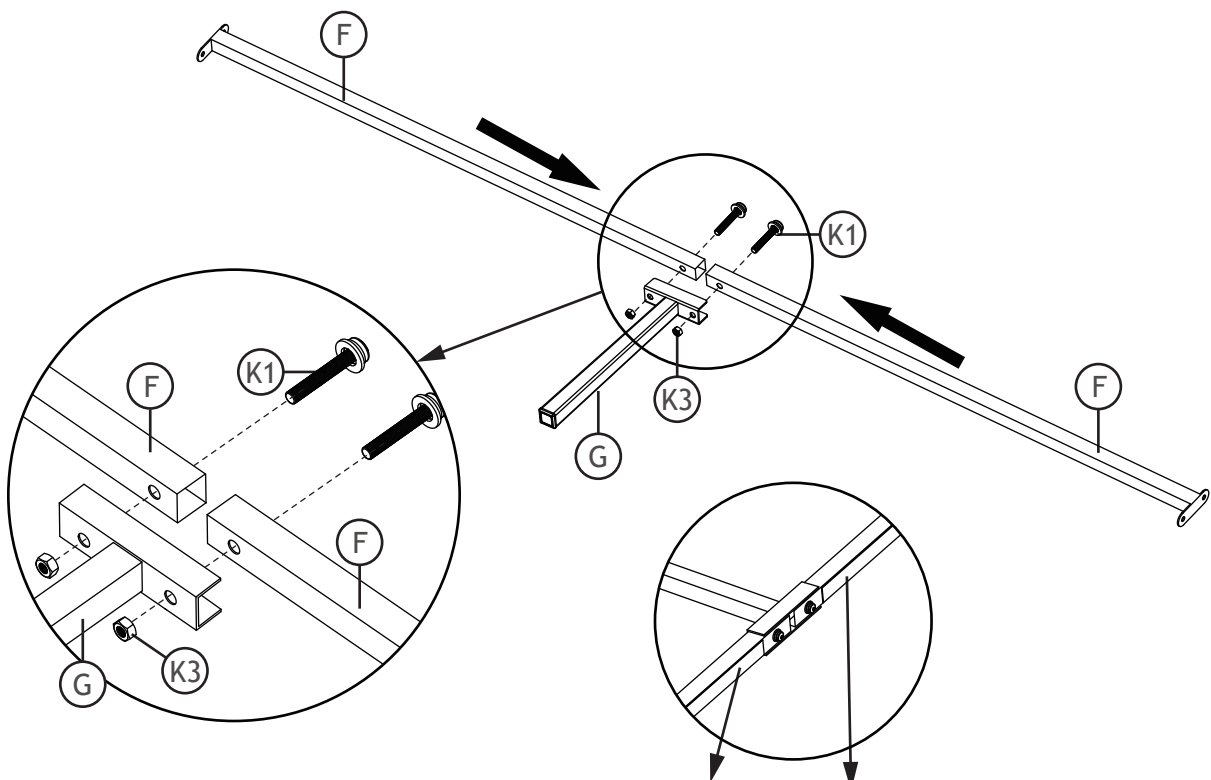
2



3

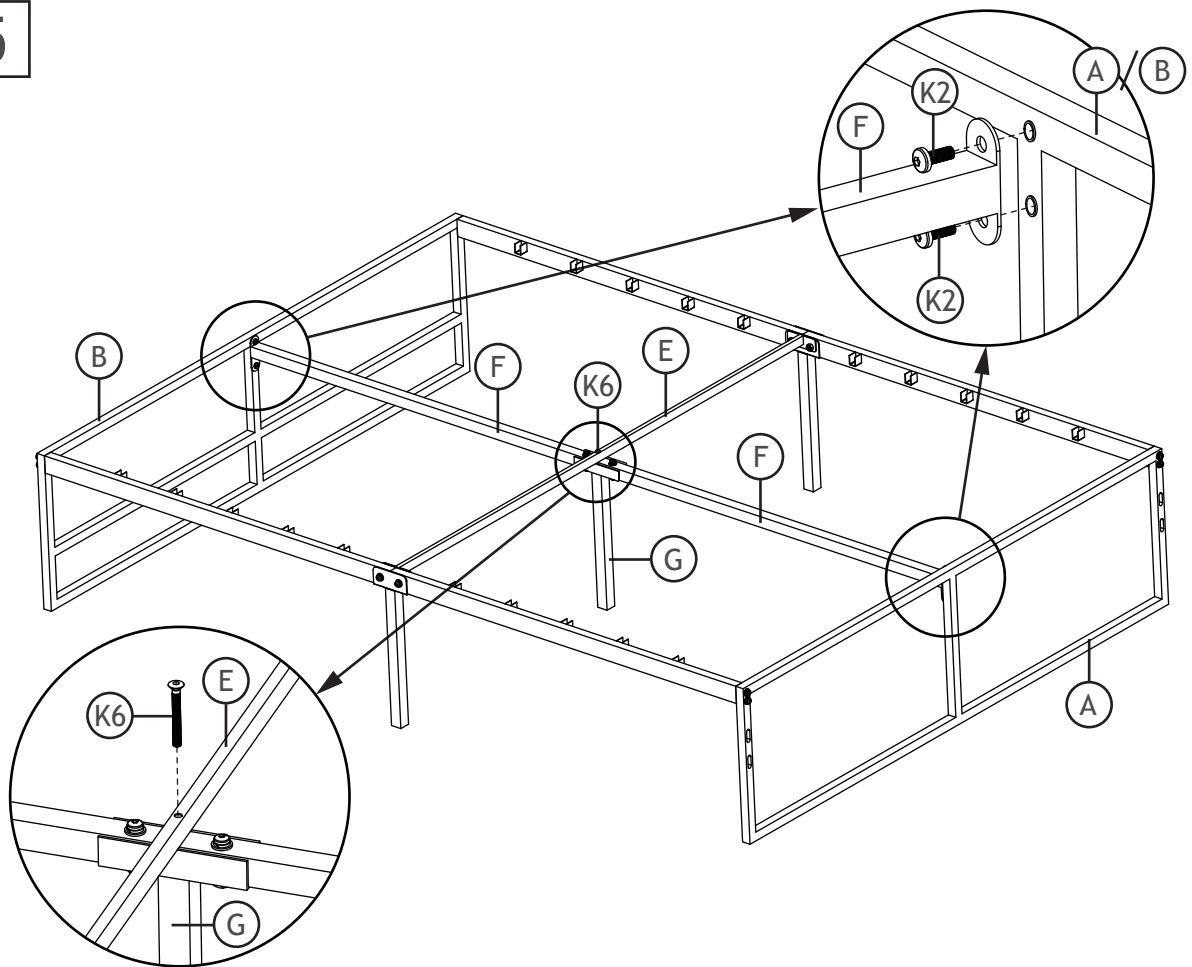


4

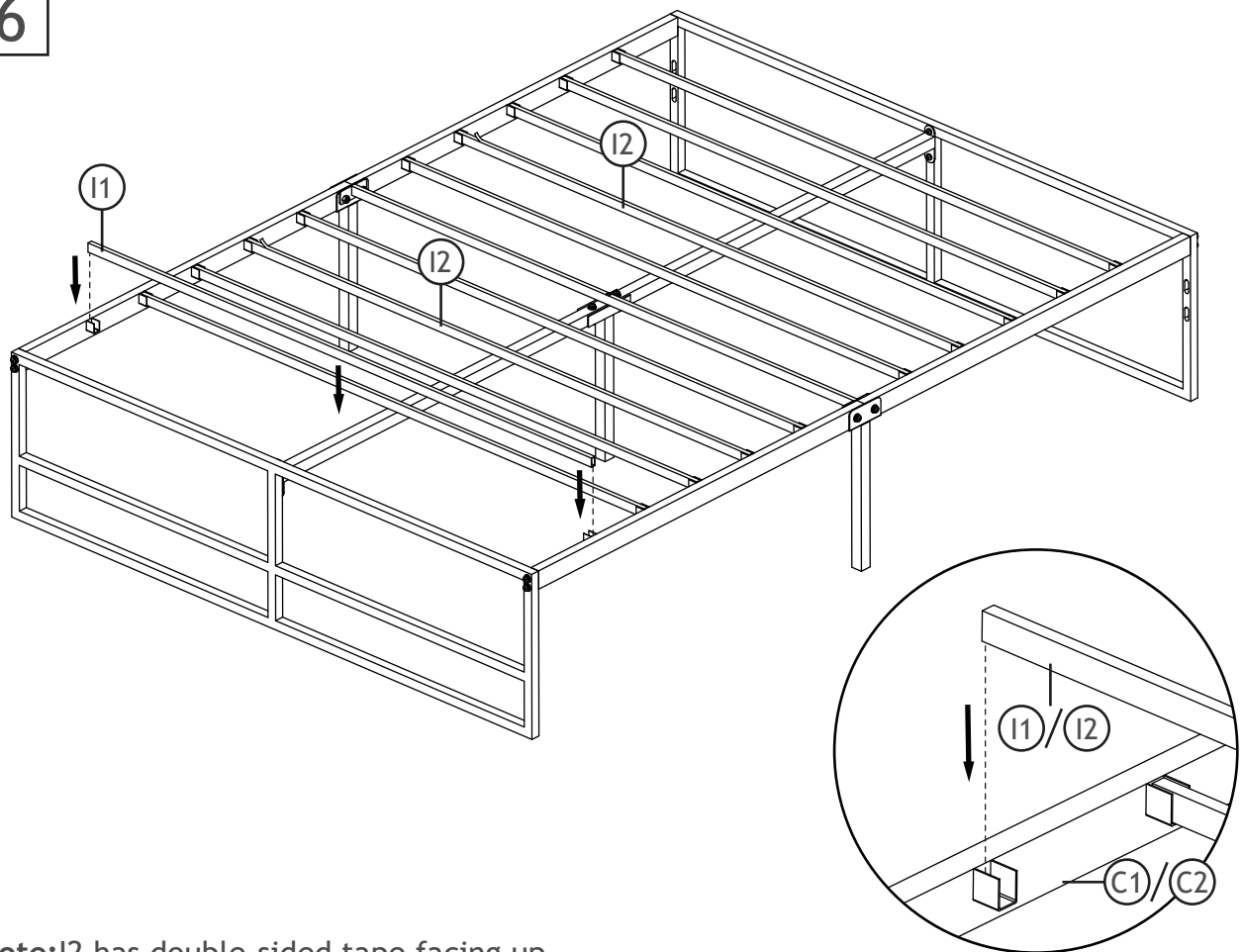


Note: Black mute upholstered at F is facing up.

5



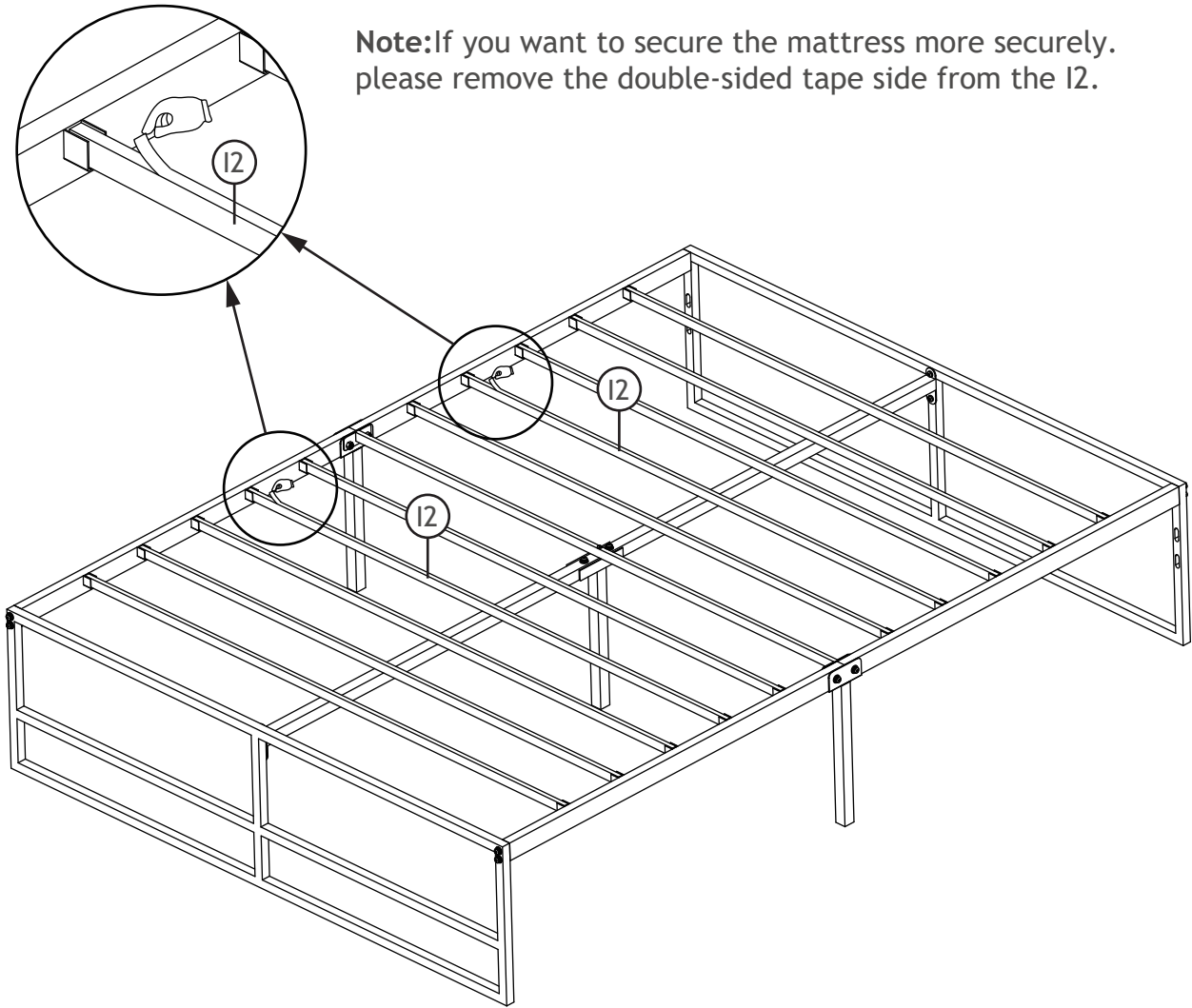
6



Note: I2 has double-sided tape facing up

7

Note: If you want to secure the mattress more securely, please remove the double-sided tape side from the I2.



Made in China

6