
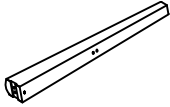
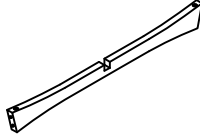
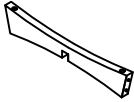





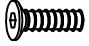
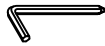
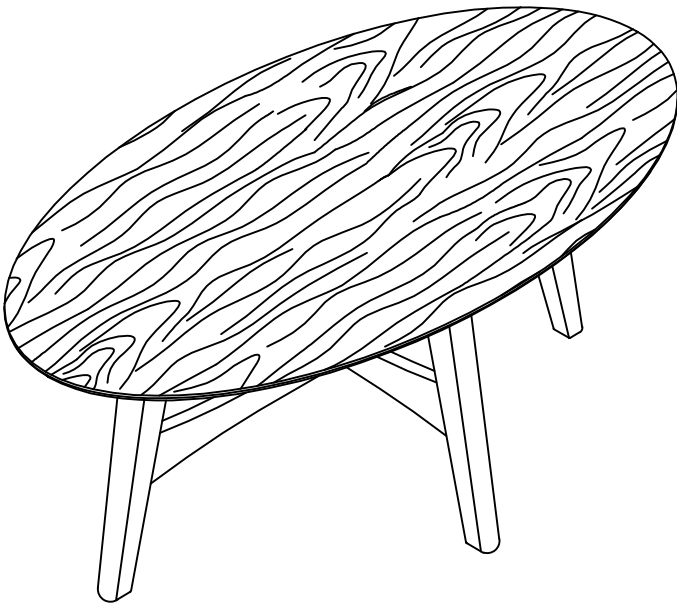


ASSEMBLY INSTRUCTION

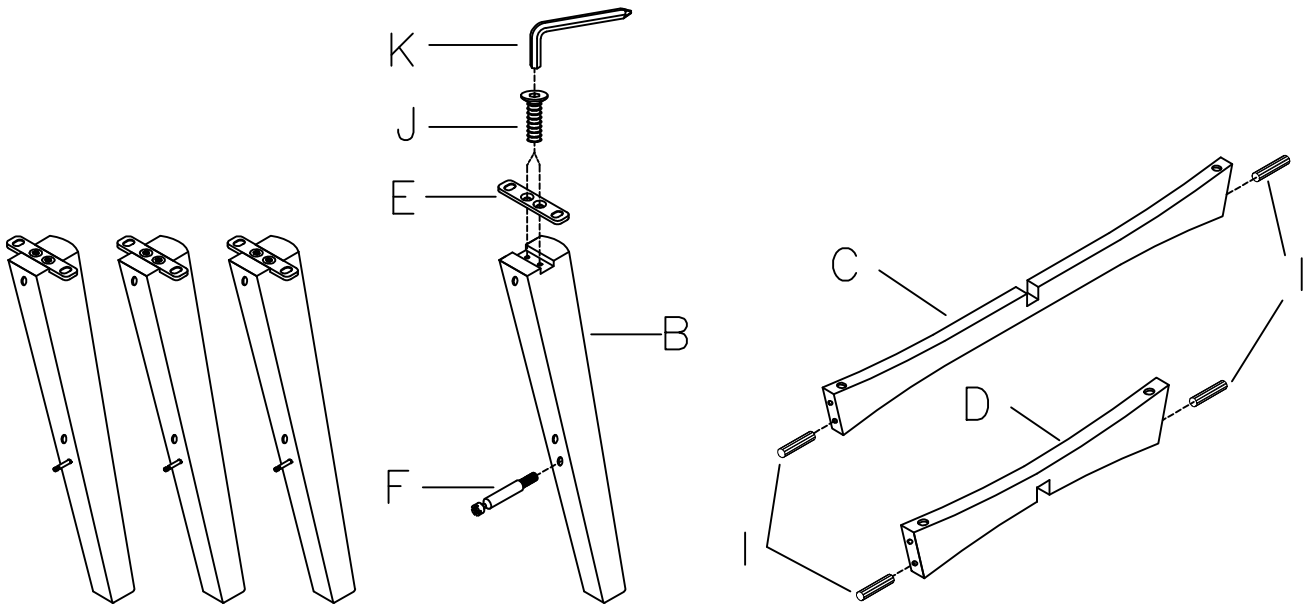
COFFEE TABLE

A Table Top  1PC	B Leg  4PCS	C Long Cross Bar  1PC	D Short Cross Bar  1PC
E Metal Bracket 3-1/4" X 3/4" X 4mm  4PCS	F Cam Bolt 1/4" X 2"  4PCS	G Cam Screw 3/8" X 1/4"  4PCS	H Cam Nut 19/32" X 9/16"  4PCS
I Wooden Dowel 5/16" X 1-3/16"  8PCS	J Bolt 1/4" X 1/2"  16PCS	K Allen Key 4mm  1PC	

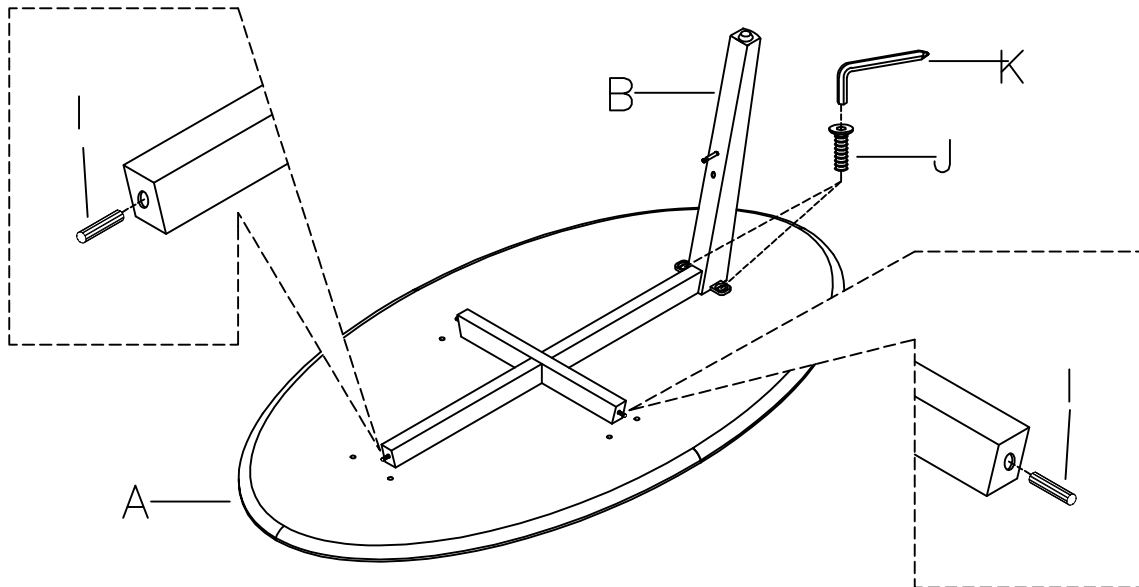


This page lists all the contents included in the box. Please take the time to identify the hardware as well as the individual components to this product. As you unpack and prepare for assembly, place the contents on a carpeted or padded area to protect them from damage.

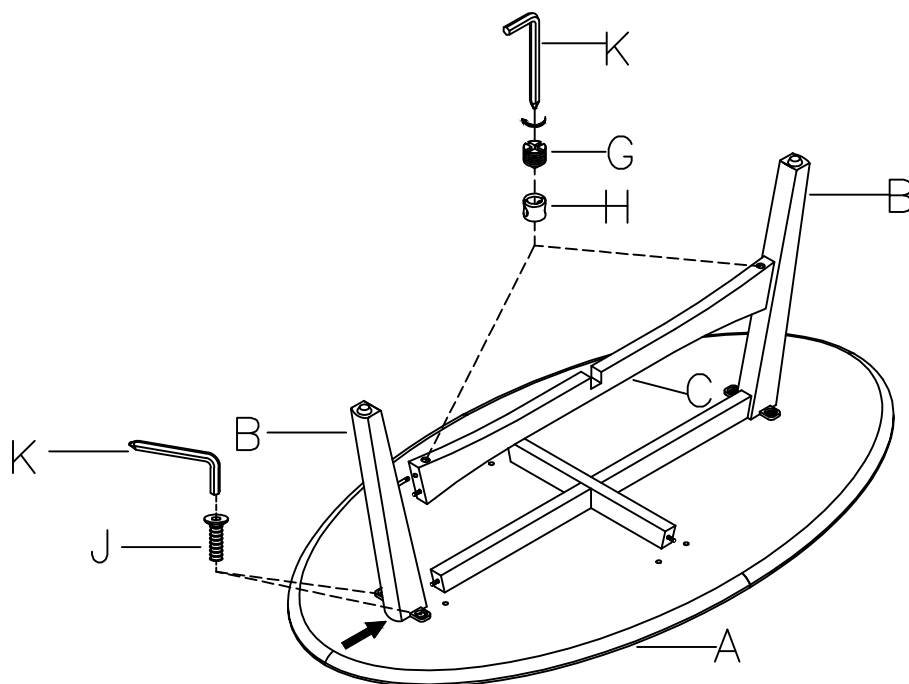
- 1** Attach Metal Bracket (E) to Leg (B) by using Bolt (J) with Allen Key (K), and screw Cam Bolt (F) into the pre-drilled holes of Leg (B). Insert Wood Dowel (I) into Long Cross Bar (C) and Short Cross Bar (D) as shown below.



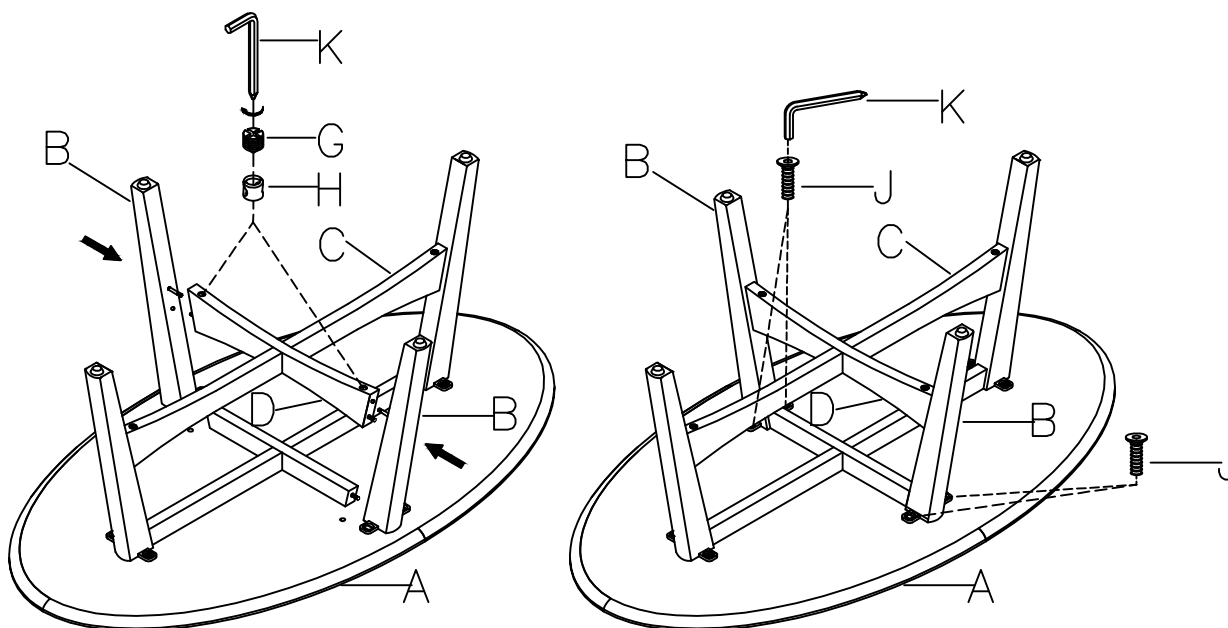
- 2** Insert Wood Dowel (I) into the pre-drilled holes of the cross bar of Table Top (A) as shown below. Then attach one Leg (B) to Table Top (A) by using Bolt (J) with Allen Key (K).



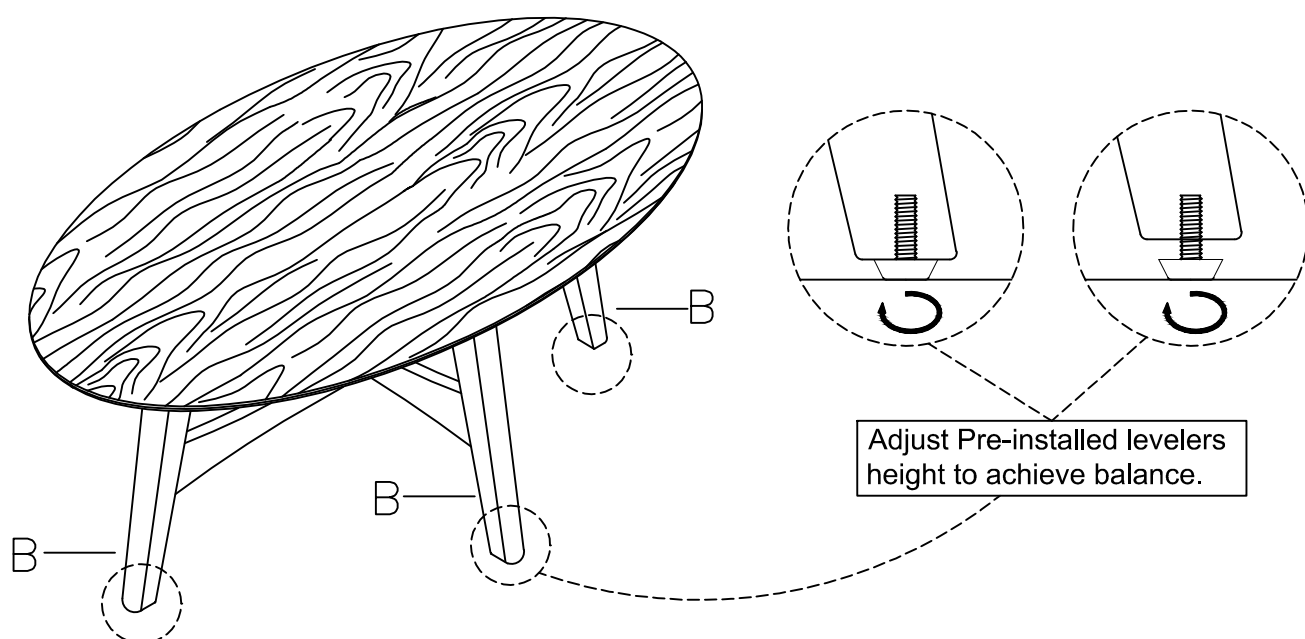
- 3** Attach Long Cross Bar (C) to the assembled Leg (B) by using Cam Nut (H) and Cam Screw (G) with Allen Key (K). Then attach another Leg (B) to the Long Cross Bar (C) by using Cam Nut (H) and Cam Screw (G) with Allen Key (K), and to the Table Top (A) by using Bolt (J) with Allen Key (K).



- 4** Attach Short Cross Bar (D) to Long Cross Bar (C), then attach the other two Leg (B) into Short Cross Bar (D) by using Cam Nut (H) and Cam Screw (G) with Allen Key (K). Then lock Leg (B) into Table Top (A) by using Bolt (J) with Allen Key (K).



-
- 5** Stand the table up. Adjust the pre-installed levelers at the bottom of Leg (B) until the table is level with the ground.



Cleaning & Care

Treat surfaces with care. Surfaces are resistant to scratches but are not scratch resistant. Clean surfaces with a dry or damp soft cloth. Do not use abrasive cleaners. Hardware may loosen over time. Periodically check that all connections are tight.