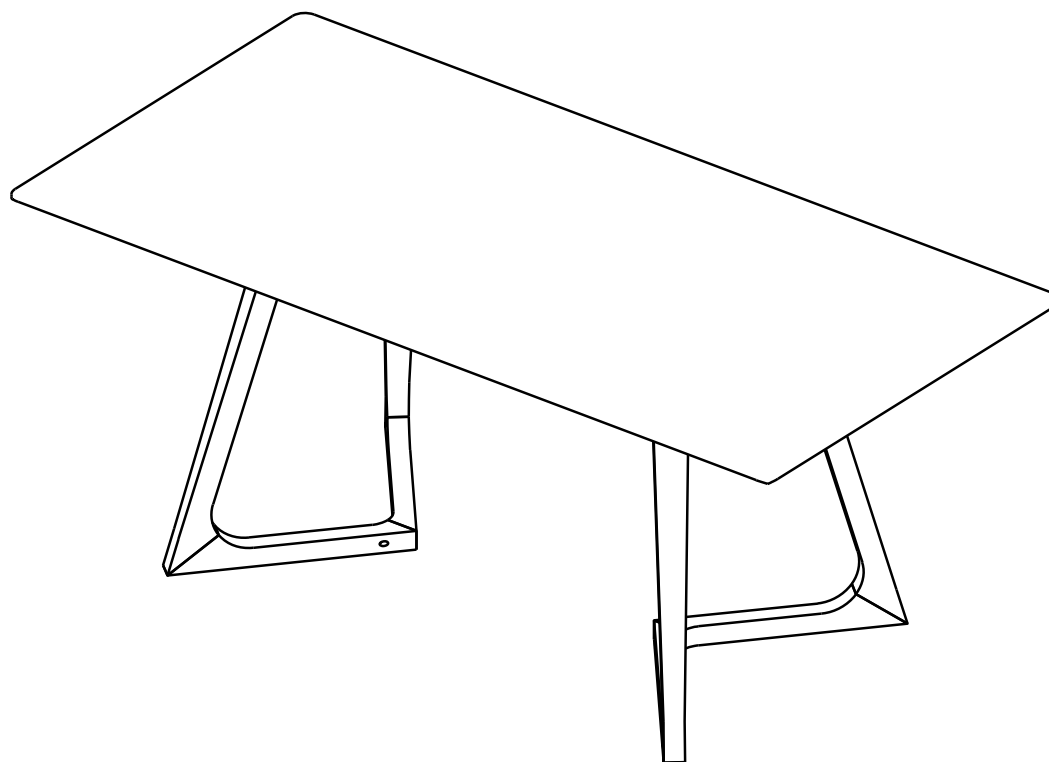


# ASSEMBLY INSTRUCTIONS

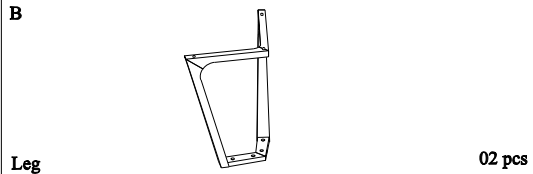
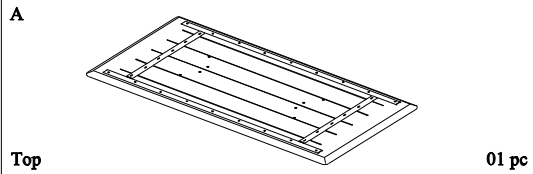
DINING TABLE RECTANGULAR BLACK ASH







THANK YOU FOR YOUR PURCHASE!

## PARTS AND HARDWARE.

### PARTS LIST



### HARDWARE LIST

1. Bolt	2. Lock Washer
	
M6*35 mm 08 pcs	Ø6.5*11 mm 08 pcs
3. Flat Washer	4. Allen key
	
Ø6.5*16 mm 08 pcs	M4 01 pc

### NOTES.

Thank you for purchasing this quality product! Be sure to check all packing material carefully for small part that may have come loose inside the carton during shipping.

### CAUTION:

The item is heavy, assembly should be performed by two people.

## STEP 1.

