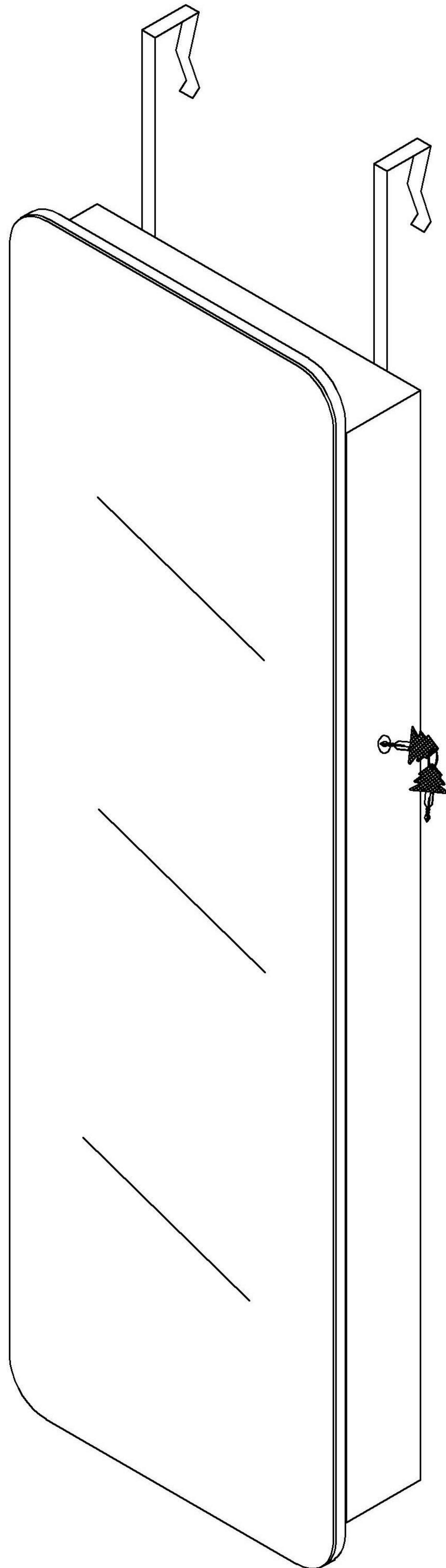



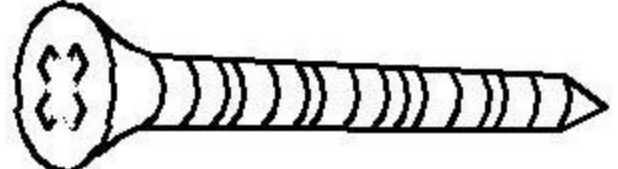
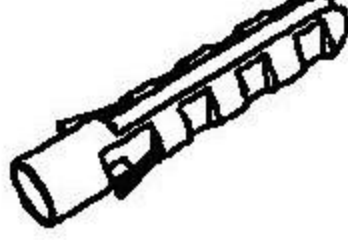

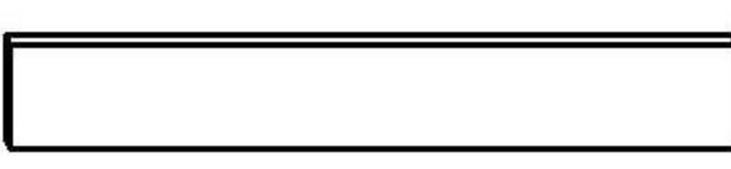
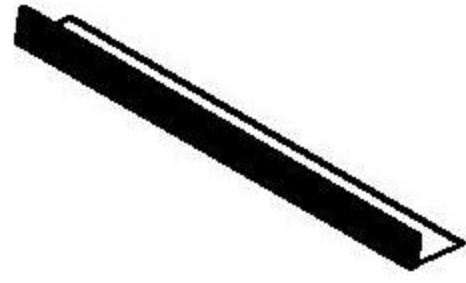
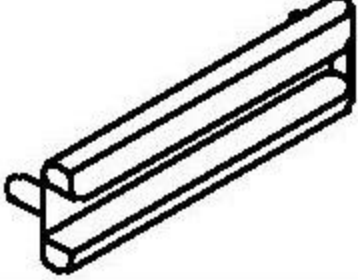


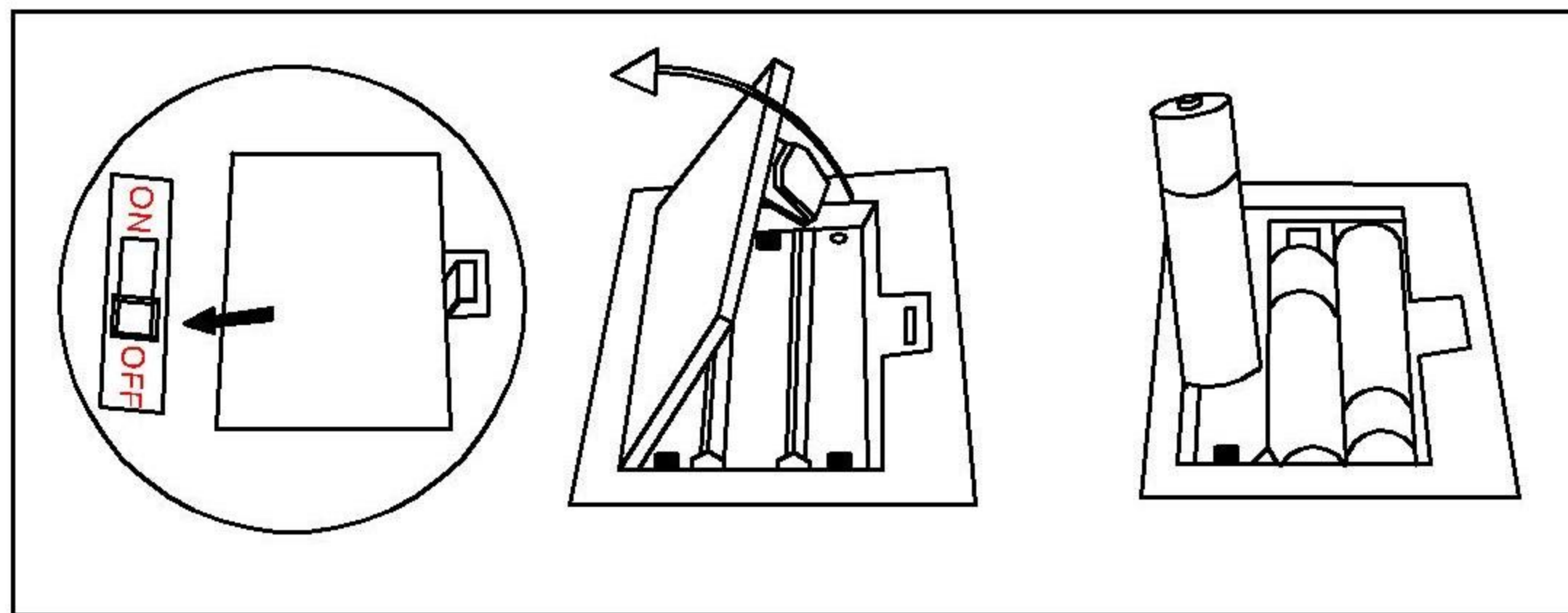
MIRROR JEWELLERY CABINET

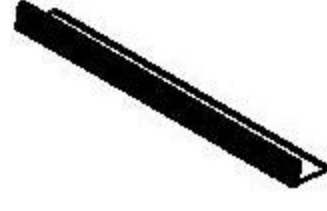
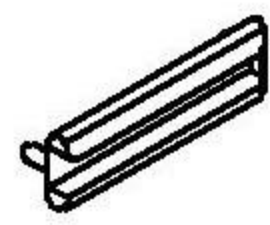


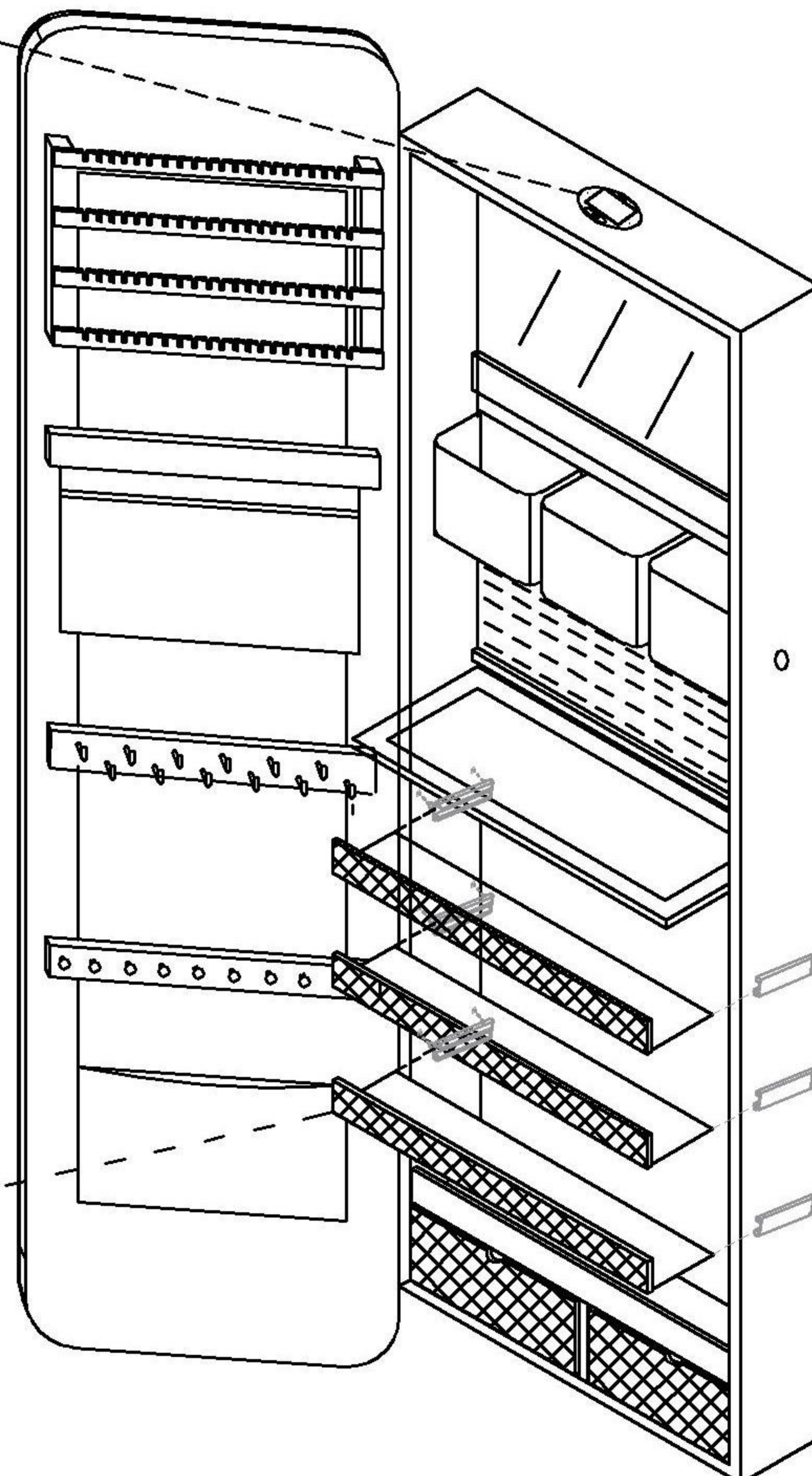
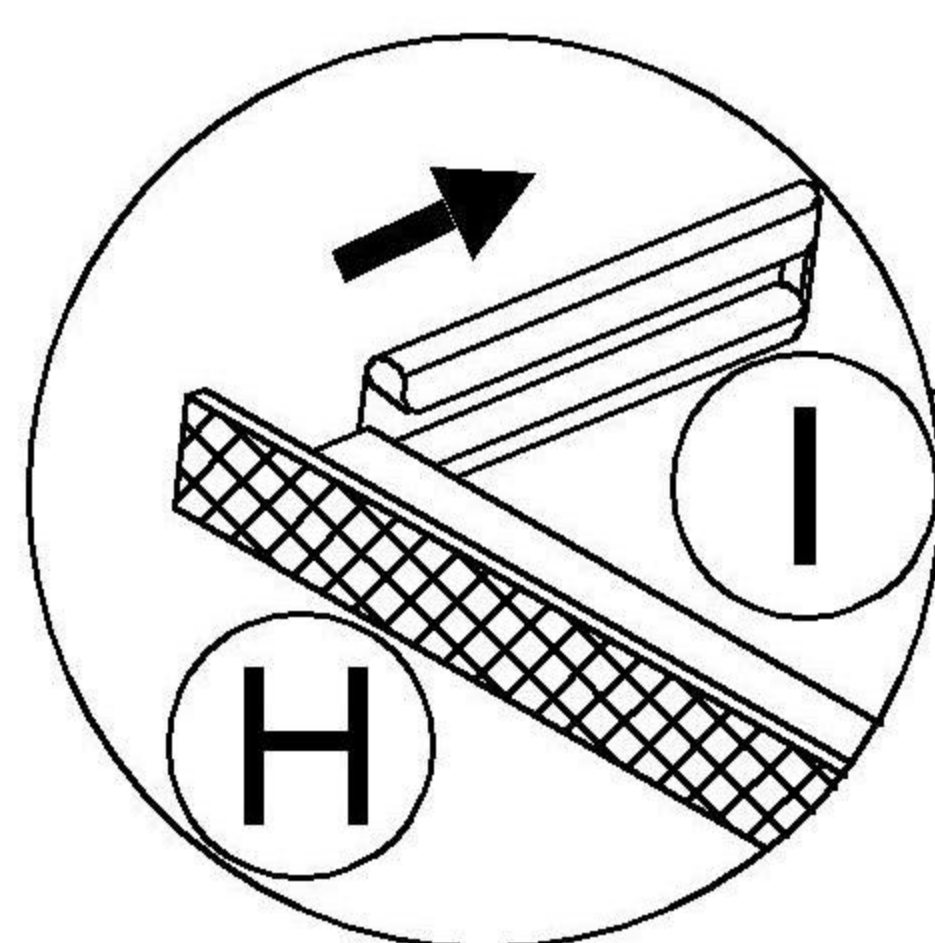
(A)		screw(6*14mm)	4 Pcs
(B)		The key	1 Pcs
(C)		Hook	2 Pcs
(D)		Self Tapping Screws(4x45mm)	2 Pcs
(E)		Plastic Expansion Anchor Wall Plug	2 Pcs
(F)		Sponge gasket	4 Pcs
(G)		Adhesive Velcro	1 Pcs
(H)		Acrylic spacer	3 Pcs
(I)		Acrylic left and right accessories	6 Pcs

Battery installation

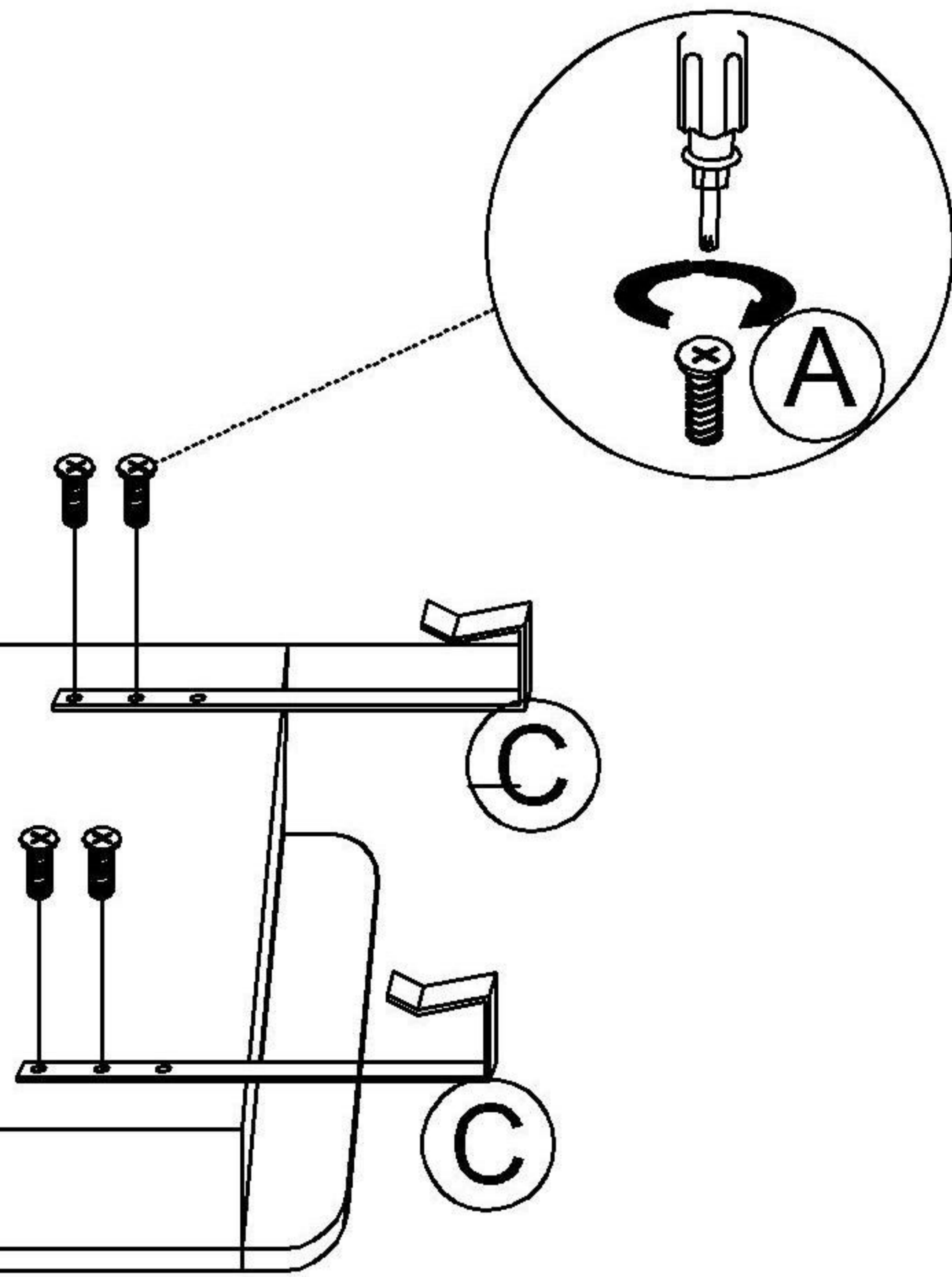
(Tip: use 3 AAA Batteries)



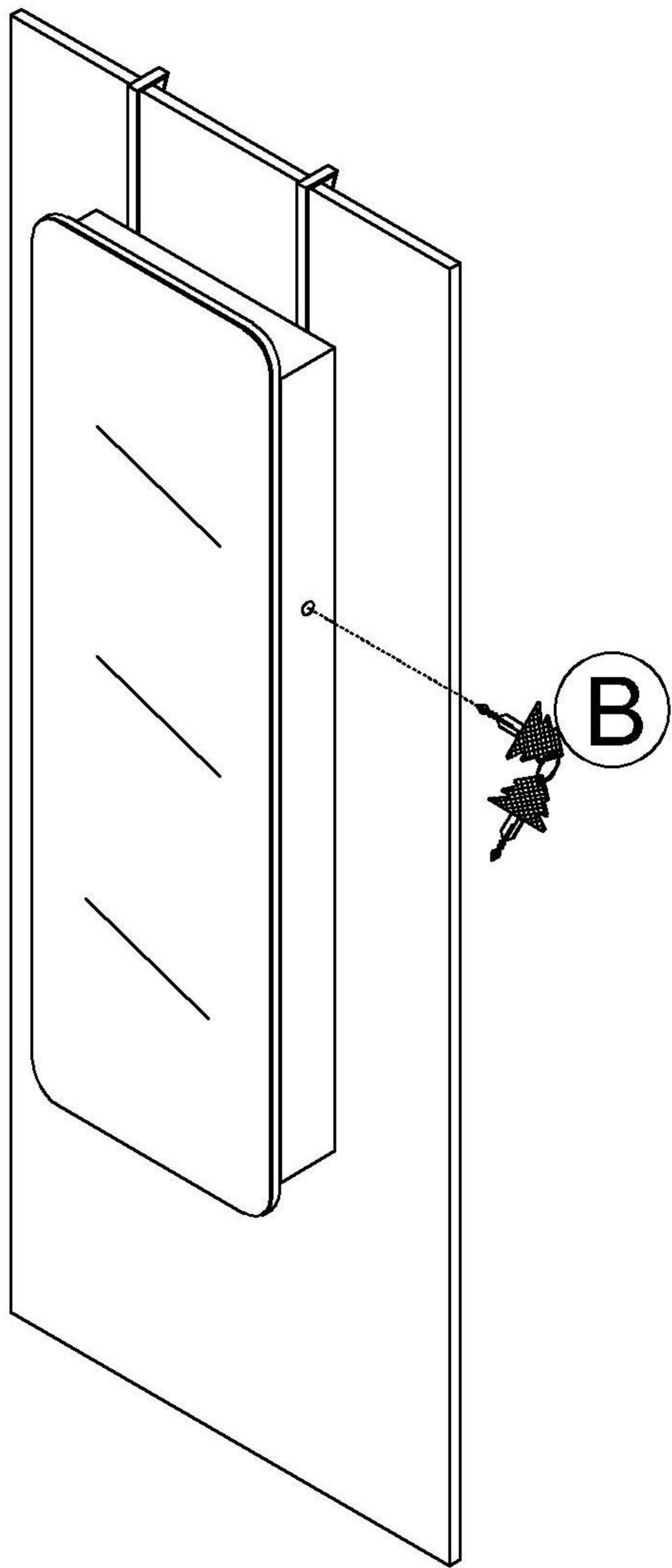
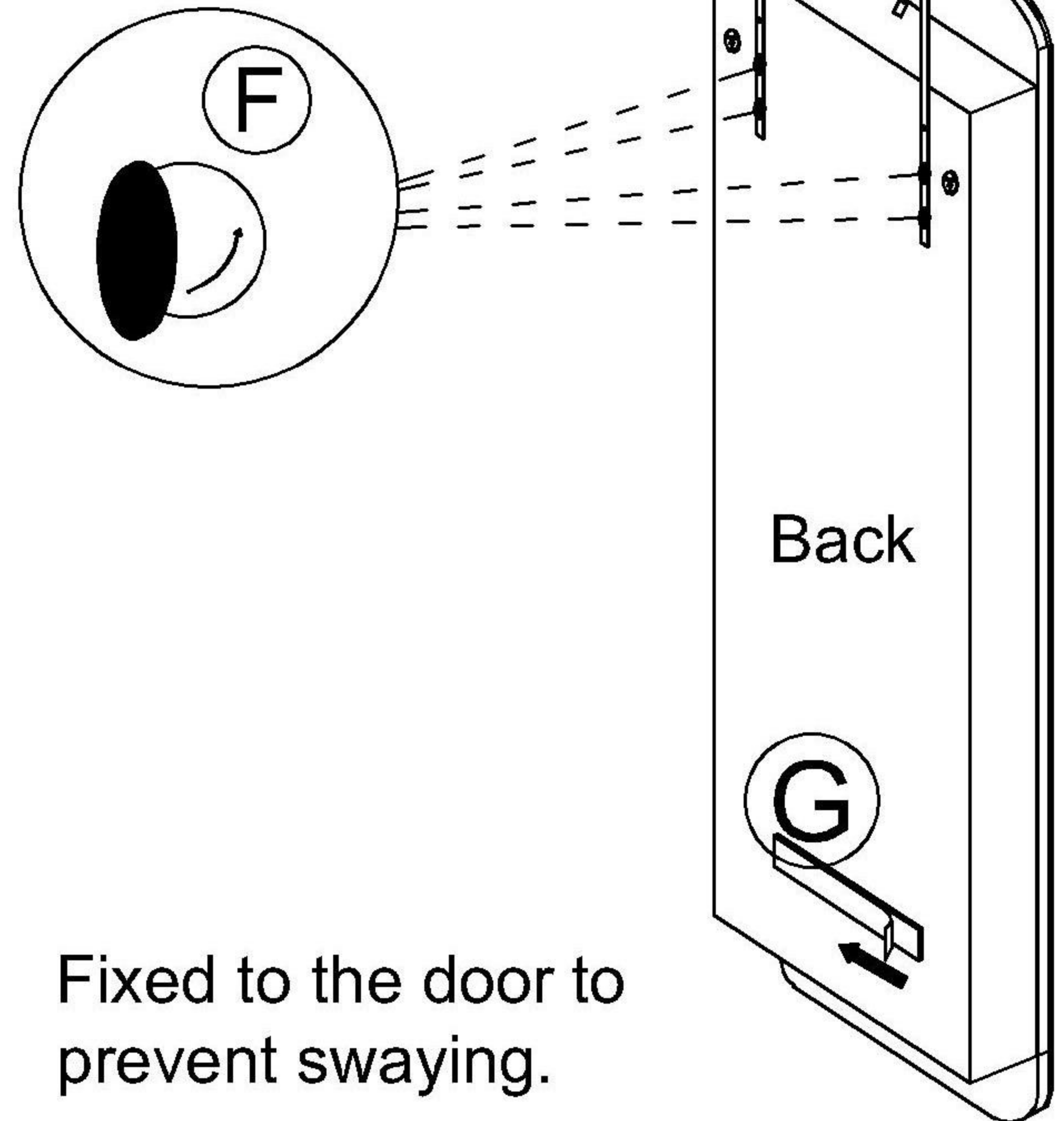
(H)		x 3
(I)		x 6



Over The Door



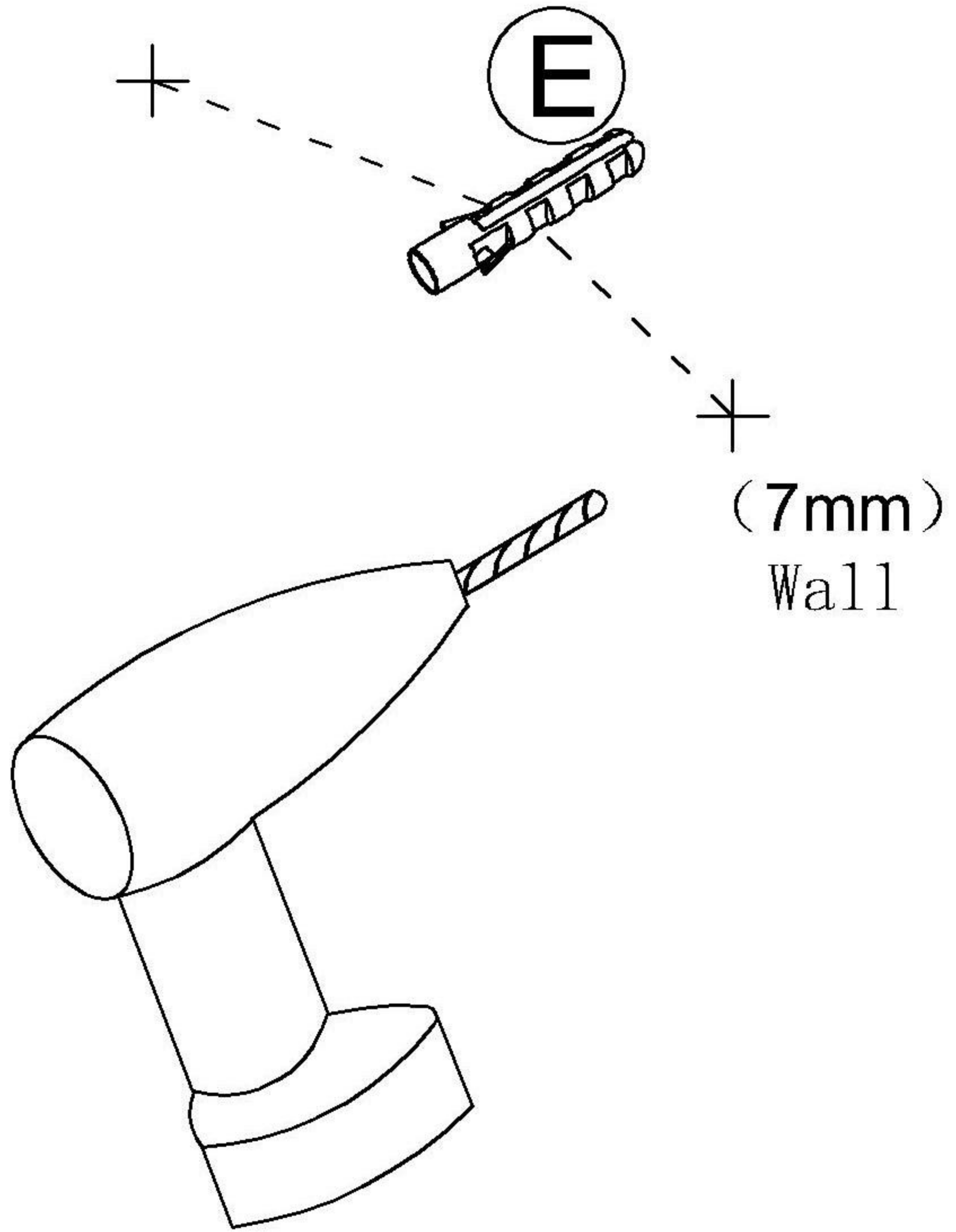
(A)		x 4
(C)		x 2
(F)		x 4
(G)		x 1



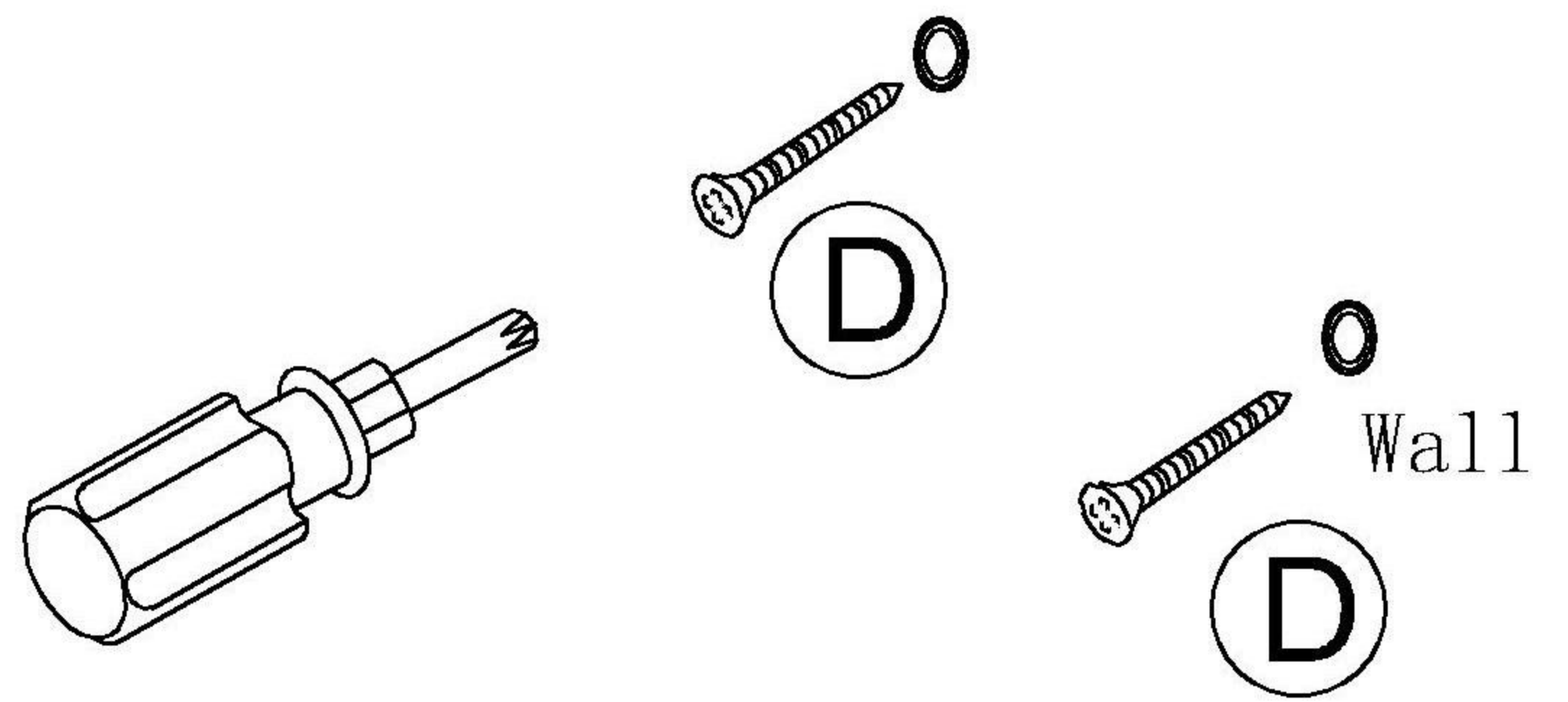
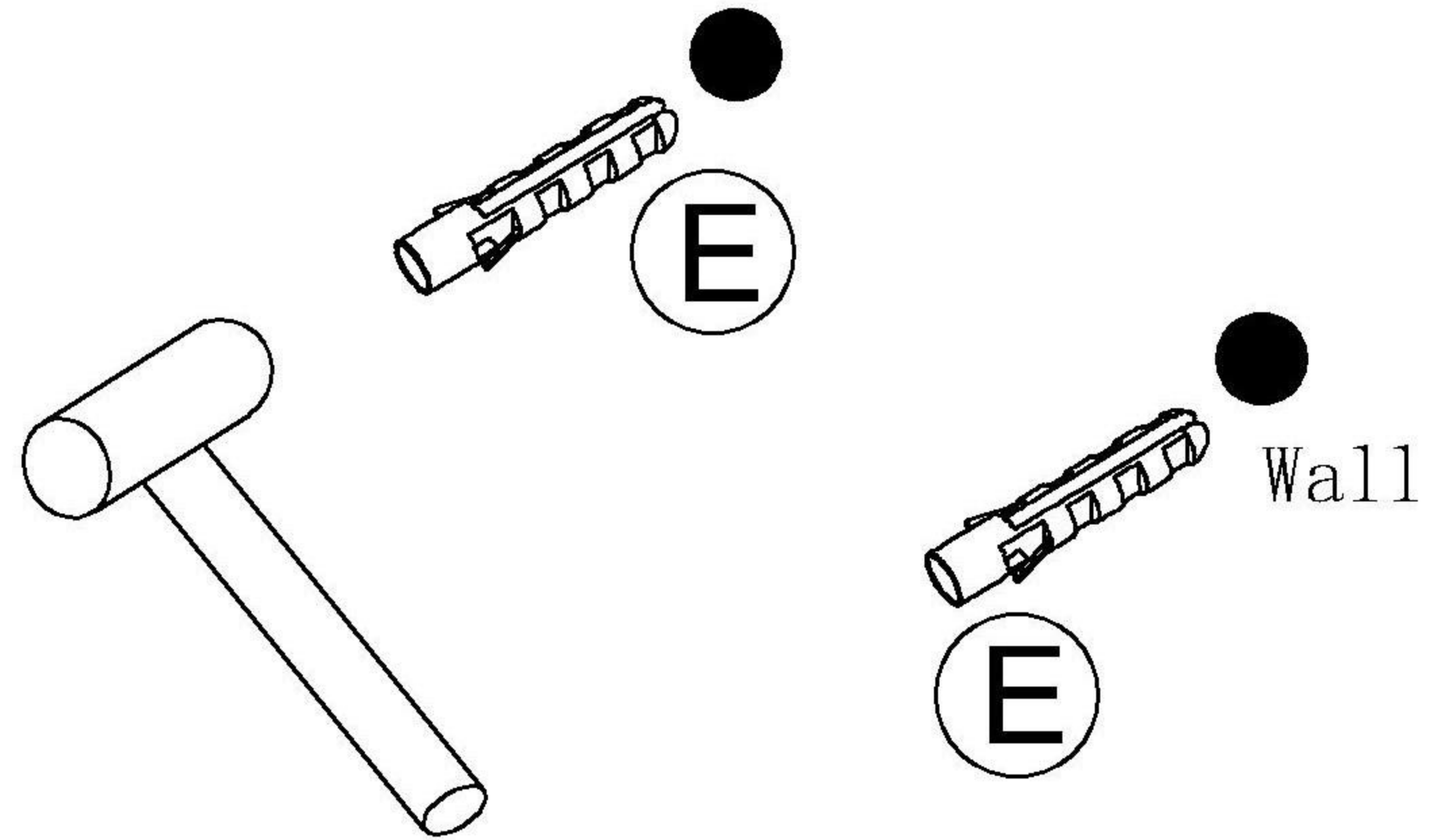
(B)		x 1
-----	--	-----

Wall Mount

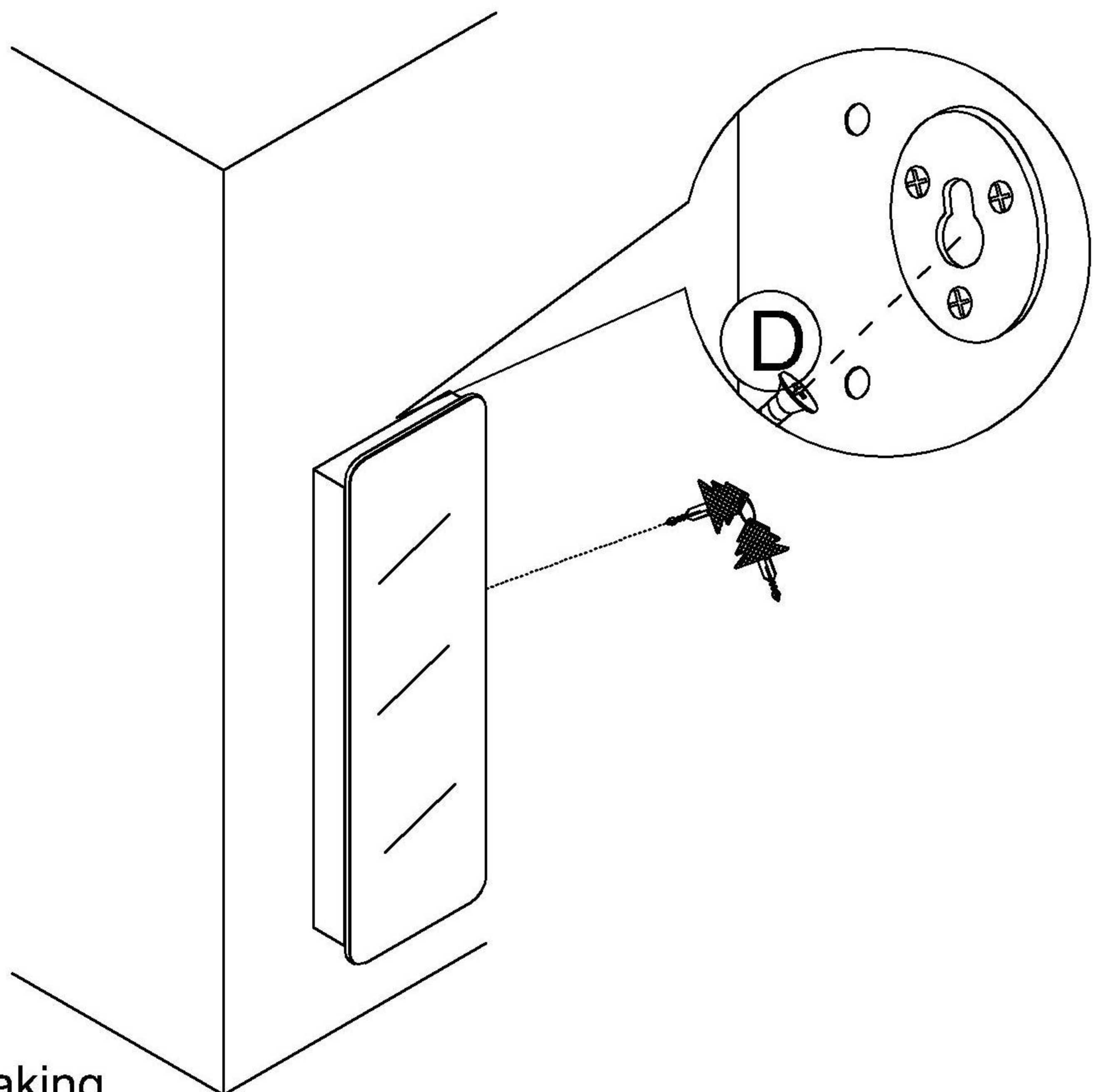
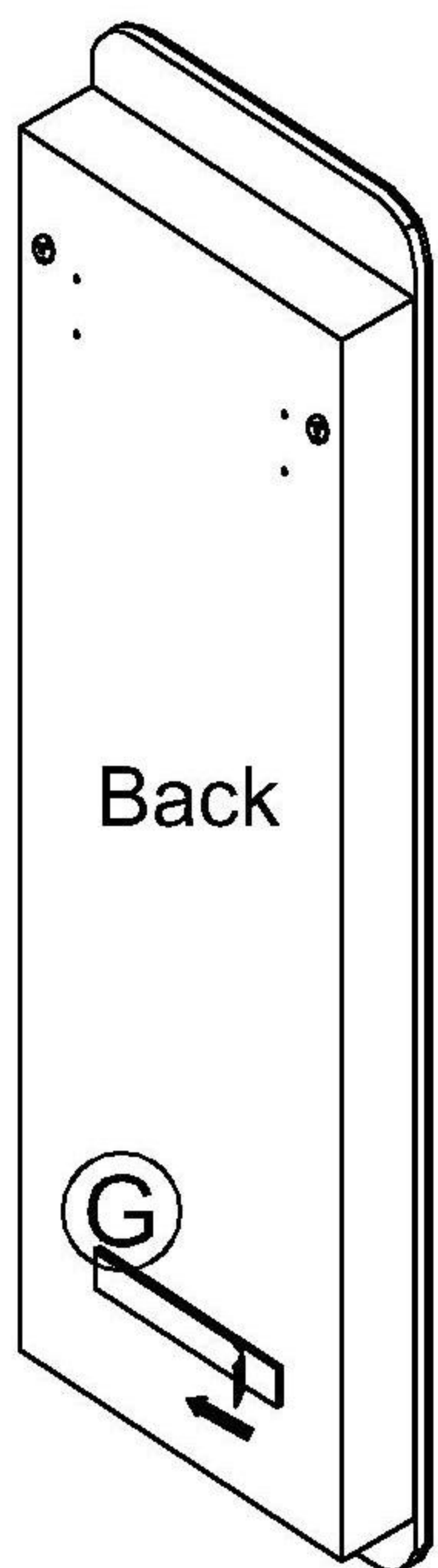
(Tip: Please use your own tools)



(E)		x 2
(D)		x 2



(B)		x 1
(G)		x 1



Fixed to the wall to prevent shaking