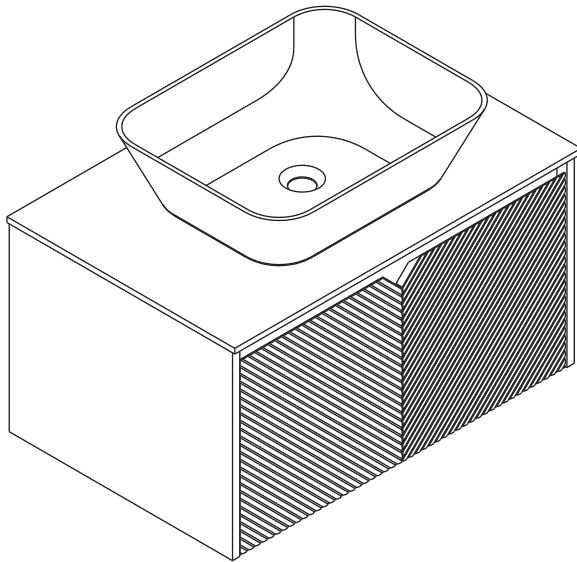


# ASSEMBLY INSTRUCTIONS

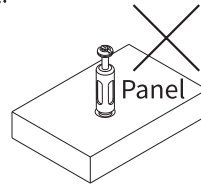
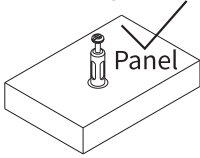


Bathroom Vanity

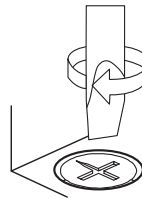
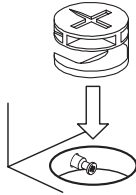
# Use the Cam Lock and Eccentric Wheel

## ECCENTRIC WHEEL

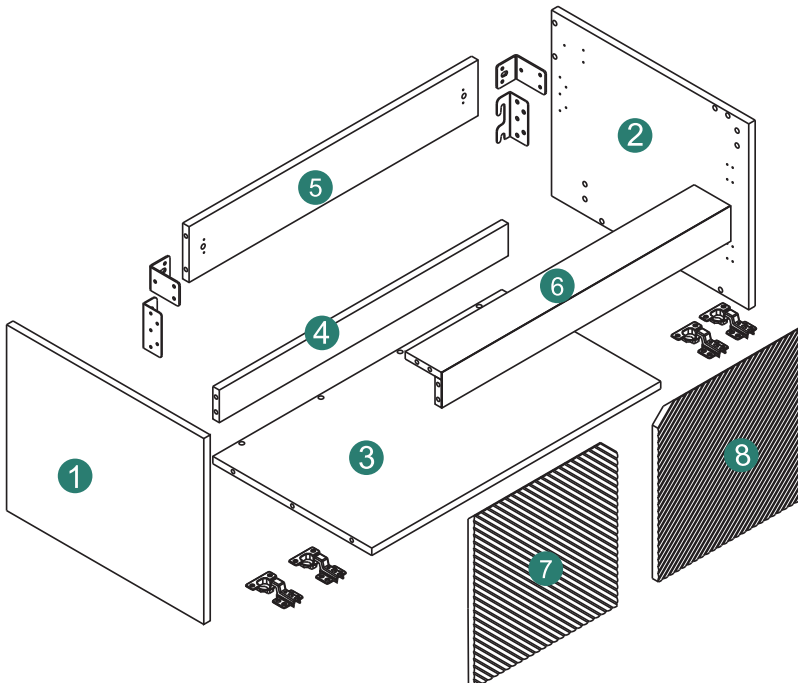
Tighten the bolt until the shoulder is aligned with the panel.  
Be sure not to tighten too much or too little.

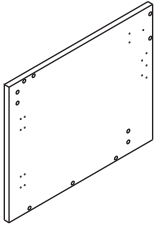
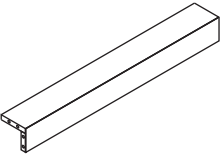
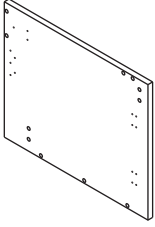
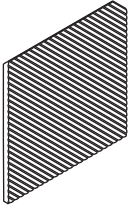
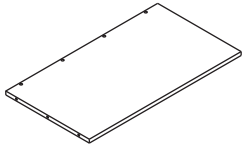
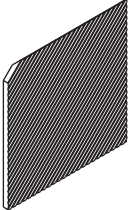
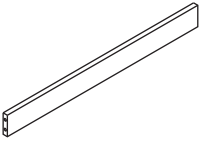
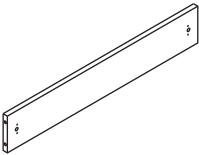


The pre-inserted nut should align with the center of the cam lock when joining two panels. The cam lock should be inserted before the eccentric wheel.



Turn the cam lock clockwise to tighten.


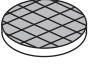

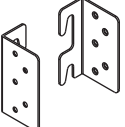

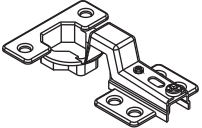
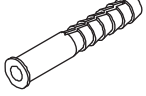

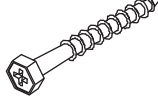
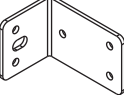


1		x1	6		x1
2		x1	7		x1
3		x1	8		x1
4		x1			
5		x1			

Components - fittings

Please check you have all the panels listed below.

Note: The quantities below are the correct amount to complete the assembly. In some cases more fittings may be supplied than are required.

<p>Ⓐ</p>	 <p>Ø6x26mm</p>	<p>x26</p>	<p>Ⓗ</p>		<p>x6</p>
<p>Ⓑ</p>	 <p>Ø15x9mm</p>	<p>x26</p>	<p>Ⓘ</p>		<p>x1</p>
<p>Ⓒ</p>	 <p>Ø3.5x14mm</p>	<p>x44</p>	<p>Ⓙ</p>		<p>x4</p>
<p>Ⓓ</p>		<p>x4</p>			
<p>Ⓔ</p>		<p>x4</p>			
<p>Ⓕ</p>		<p>x4</p>			
<p>Ⓖ</p>		<p>x2</p>			

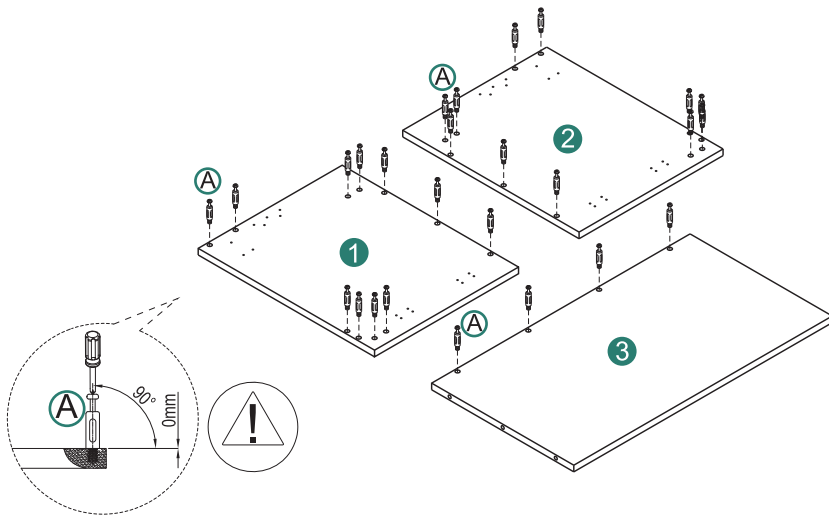
# 1



A 26pcs



The floor needs to be covered with paper or carpet protective material before installation!



# 2



B 26pcs



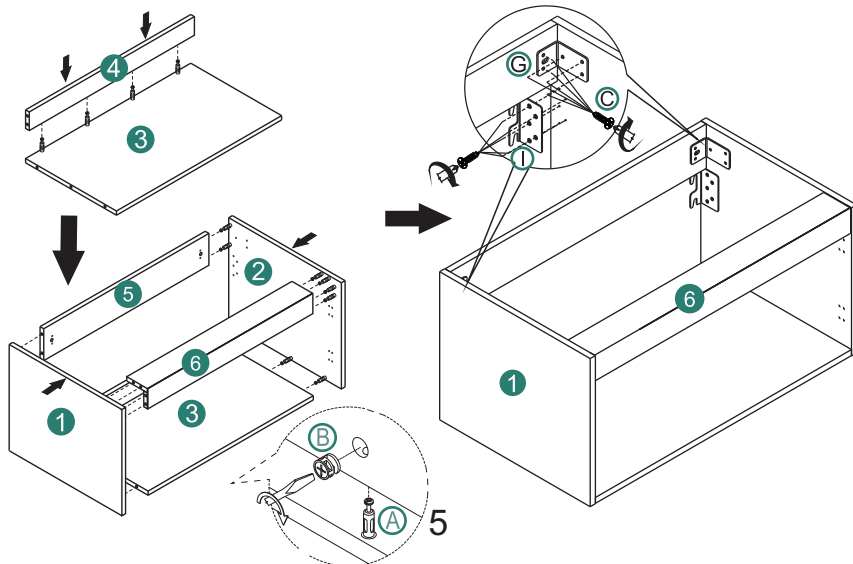
C 20pcs



G 2pcs



I 1pcs



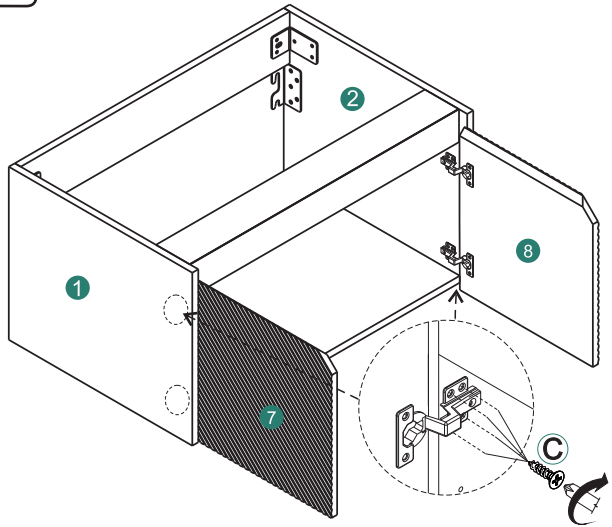
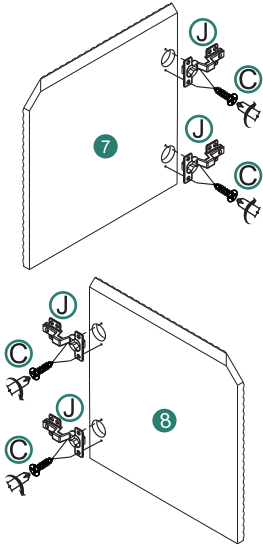
# 3



● 24 pcs



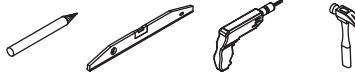
● 4 pcs



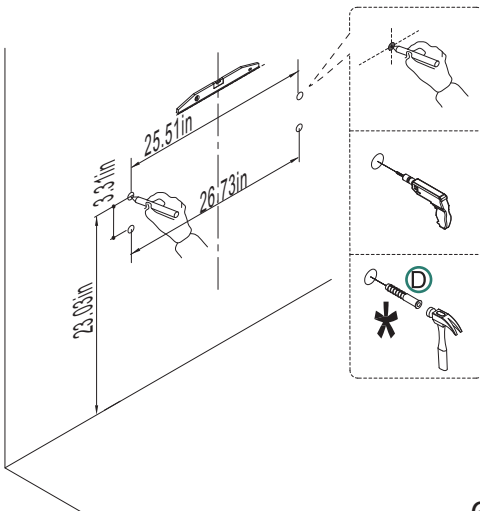
# 4



● 4 pcs



Bring your own tools



**WARNING:** To prevent falling down this product must be used with the wall attachment device provided.

**WARNING:** Assess the suitability of the wall to ensure that the fastening devices will withstand the forces generated.

**WARNING:** The maximum load-bearing capacity of this furniture is: 40-60kg, please do not overload!

Load-bearing capacity primarily depends on the installation method and wall structure.

Always identify the wall type first and hire professional installers using fasteners specifically designed for that wall type.

# 5



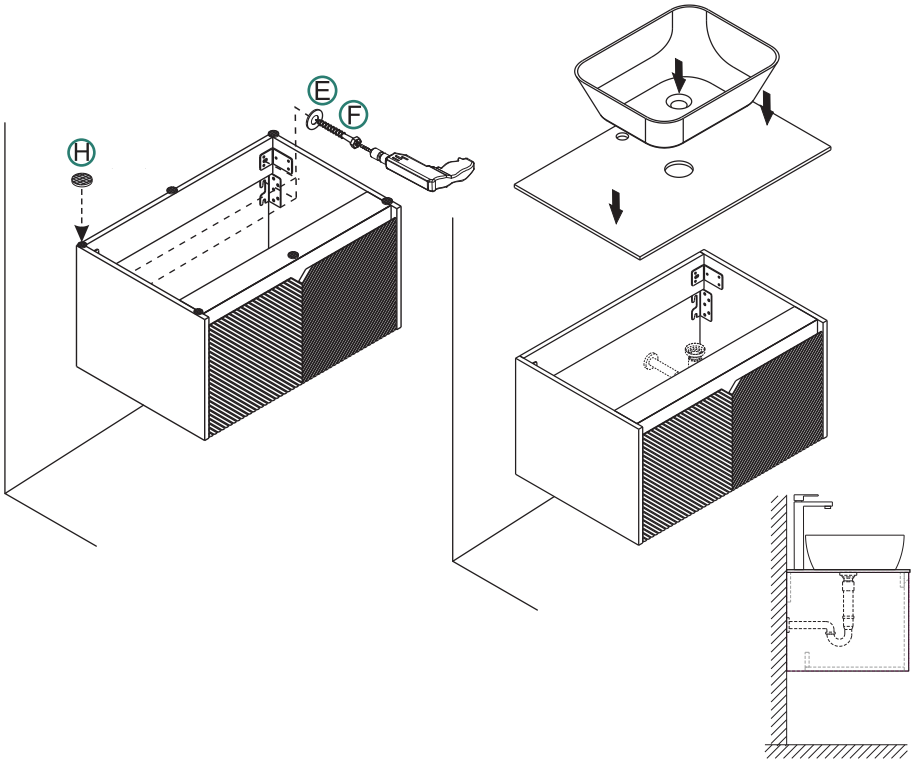
E 4 pcs



F 4 pcs



H 6 pcs

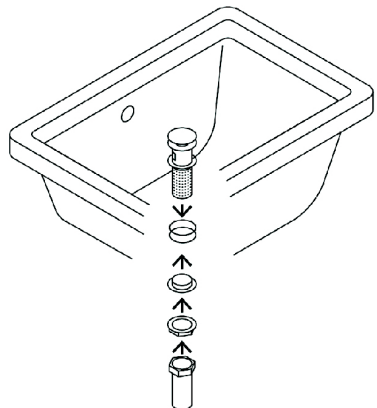


## Pop-up Waste Installation

**STEP 1**  
Install Pop-up Waste with over flow.

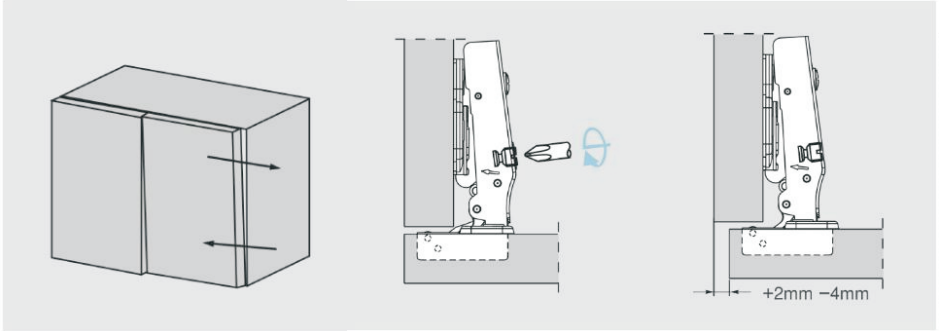
**STEP 2**  
Connect the drain pipe.

This product does not include drainage accessories. The content on this page is provided as installation suggestions only. Please carry out the installation according to the requirements of the product you actually purchased.



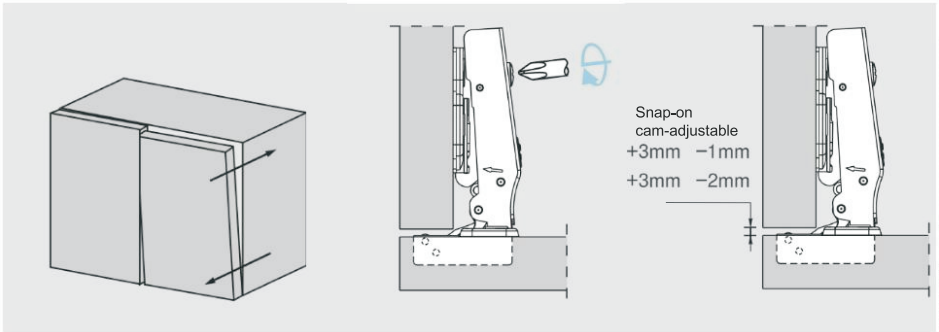
## side adjustment

Side adjustment of the door is made by using the indicated screw.



## Depth Adjustment

Depth adjustment is made without loosening any screw. The door can be moved in or out by rotating the cam adjuster on the hinge arm.



## Height Adjustment

By loosening the two fixing screws to allow the mounting plate to slide up or down, the door can be adjusted vertically by  $\pm 2\text{mm}$ . After retightening the screws, the Depth adjustment is done.

