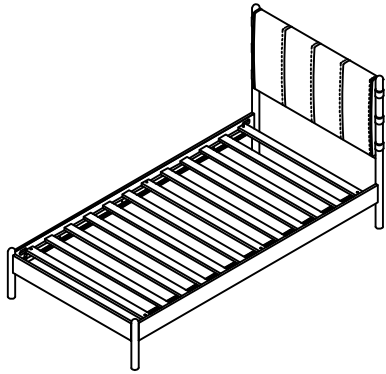


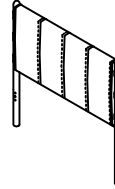
ASSEMBLY INSTRUCTIONS

TWIN

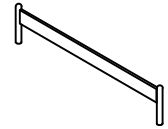


+ Parts Included

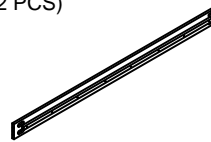
① HEADBOARD
(1 PC)



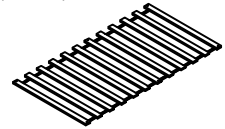
② FOOTBOARD
(1 PC)



③ SIDE RAILS
(2 PCS)



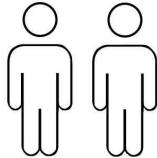
④ SLATS
(1 SET)



+ Do Not Use Power Tools



+ Suggested Adults



NOTE:

- 1 Read instructions cover to cover.
- 2 Save all packaging until assembly is completed.

1 IMPORTANT SAFETY INFORMATION

Do not assemble the product if any of the following parts arrived damaged:

- Part 3 - Side Rails
- Part 4 - Slats

2 IMPORTANT ASSEMBLY INFORMATION

Assembly Step Ensure the side rail bracket is fully hooked onto bolt loosely threaded with both washers on the **OUTSIDE** of the bracket first, then proceed to fully tightening all 4 corners.

+ Hardware Included

A M6 x 60mm
(8 PCS)



B M6
(8 PCS)



C M4 x 32mm
(6 PCS)



D M8 x 30mm
(4 PCS)

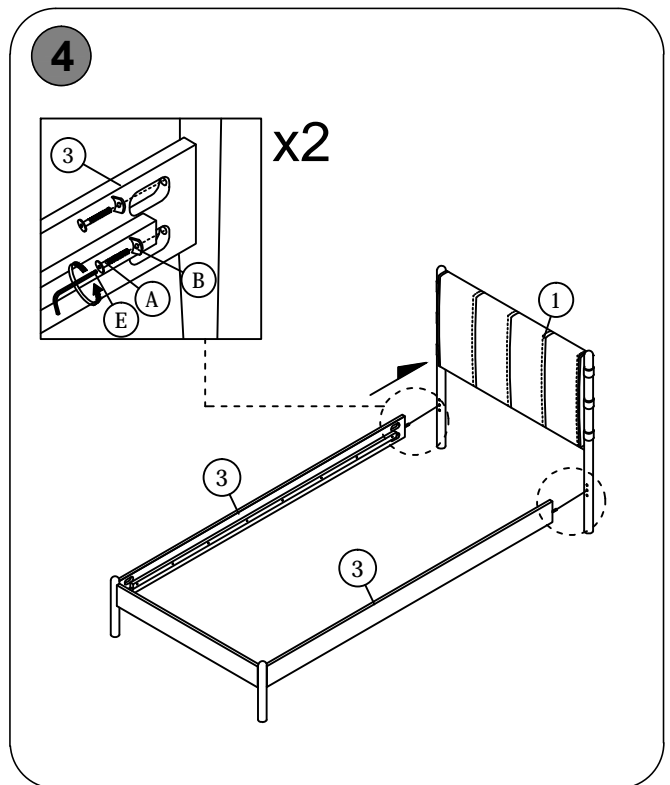
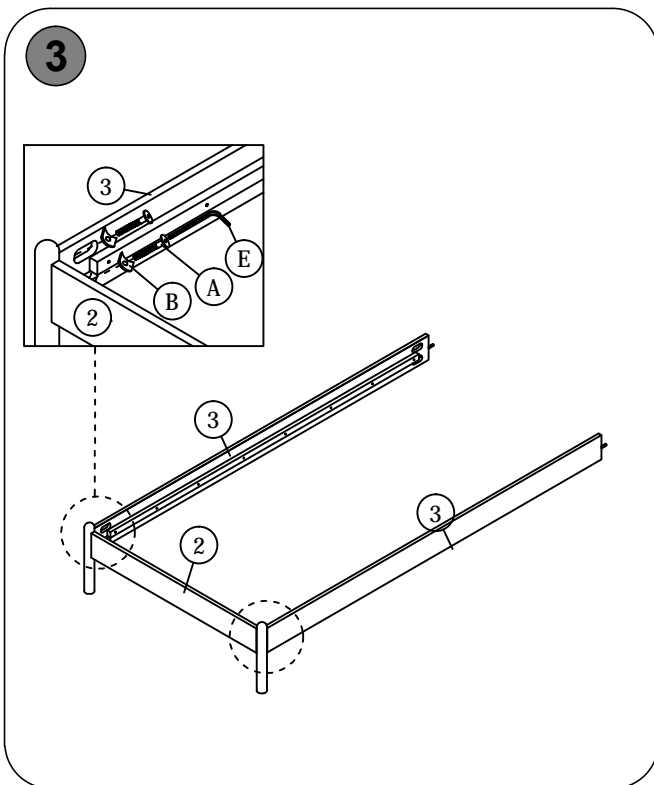
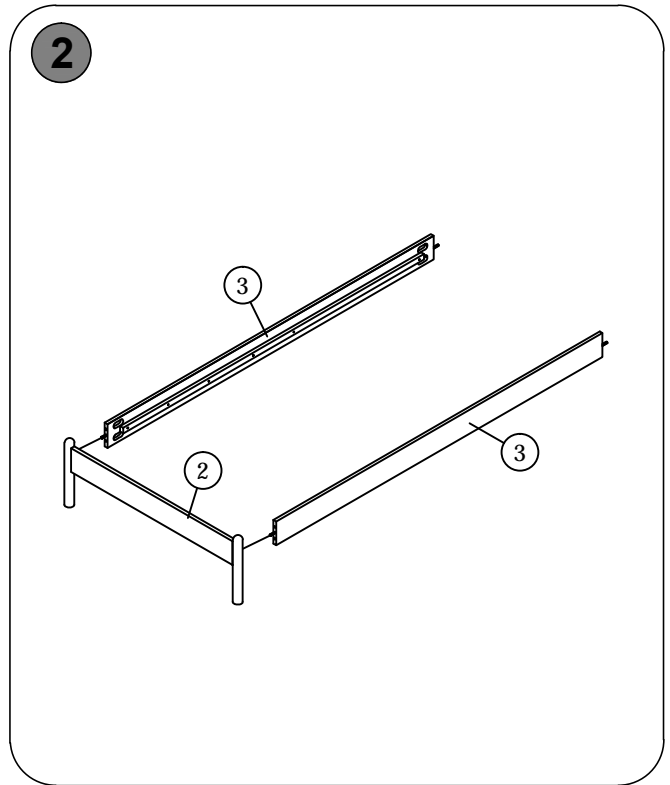
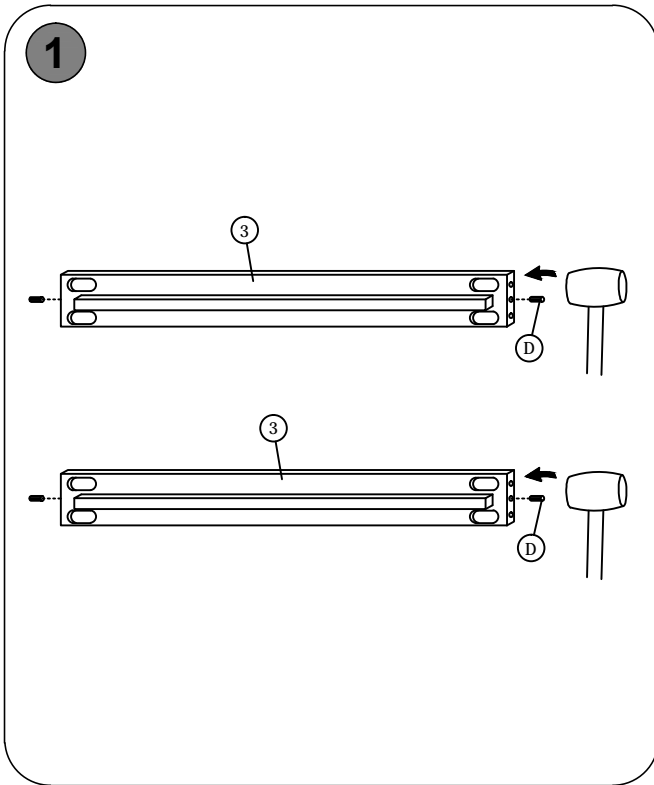


E M4
(1 PC)



ASSEMBLY INSTRUCTIONS

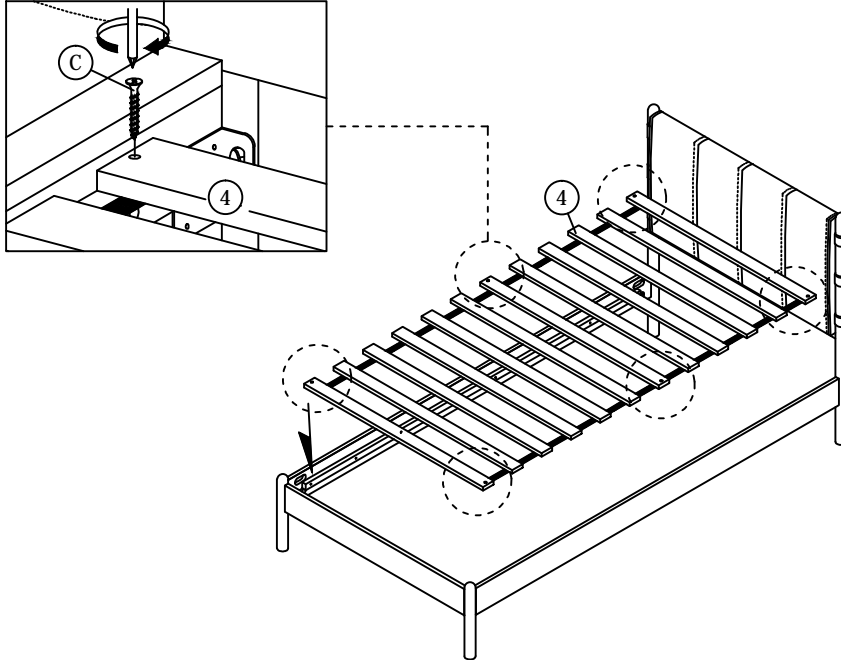
FULL



ASSEMBLY INSTRUCTIONS

FULL

5



6

