












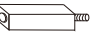




### Hardware

### Tools Required

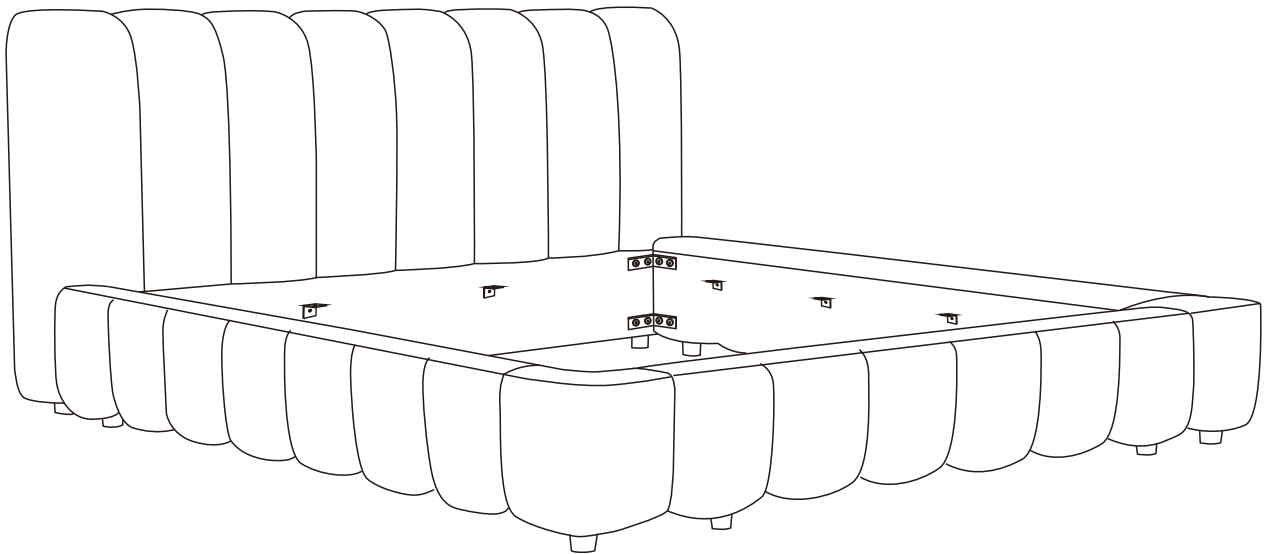
Power tools NOT recommended

NO.	Quantity	K Accessory
A	4	 Metal Support A
B	8	 Metal Support B
C	12	 Metal Support C
D	60	 Screw 8X20 mm
E	12	 Gaske 33 mm
F	4	 Center Leg
G	1	 Allen Wrench 5mm
H	10	 Plastic Foot 4cm

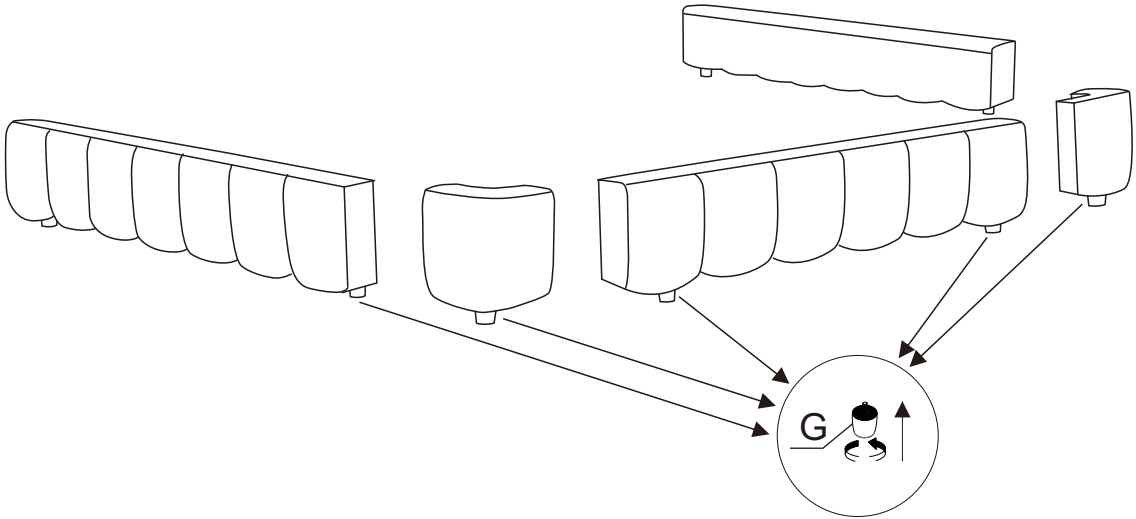
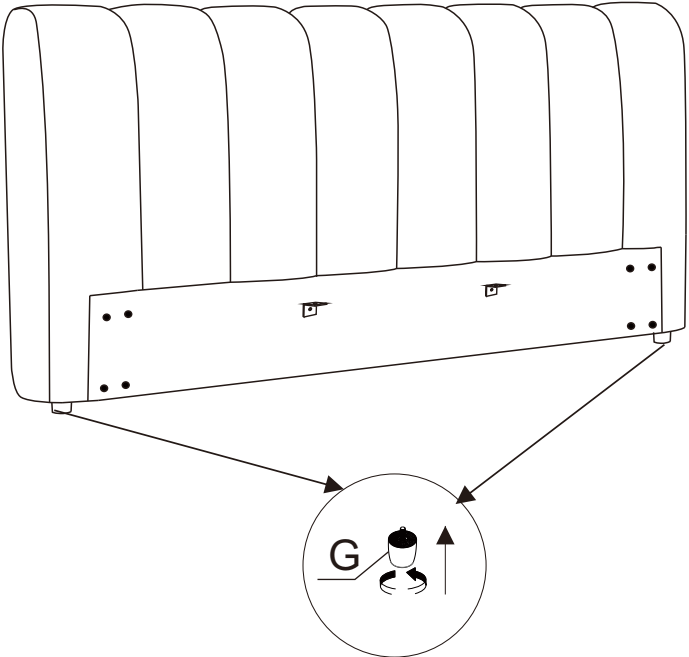
NO.	Quantity	Accessory
A	4	 Metal Support A
B	8	 Metal Support B
C	10	 Metal Support C
D	58	 Screw 8X20 mm
E	10	 Gaske 33 mm
F	2	 Center Leg
G	1	 Allen Wrench 5mm
H	10	 Plastic Foot 4cm

### King Bed

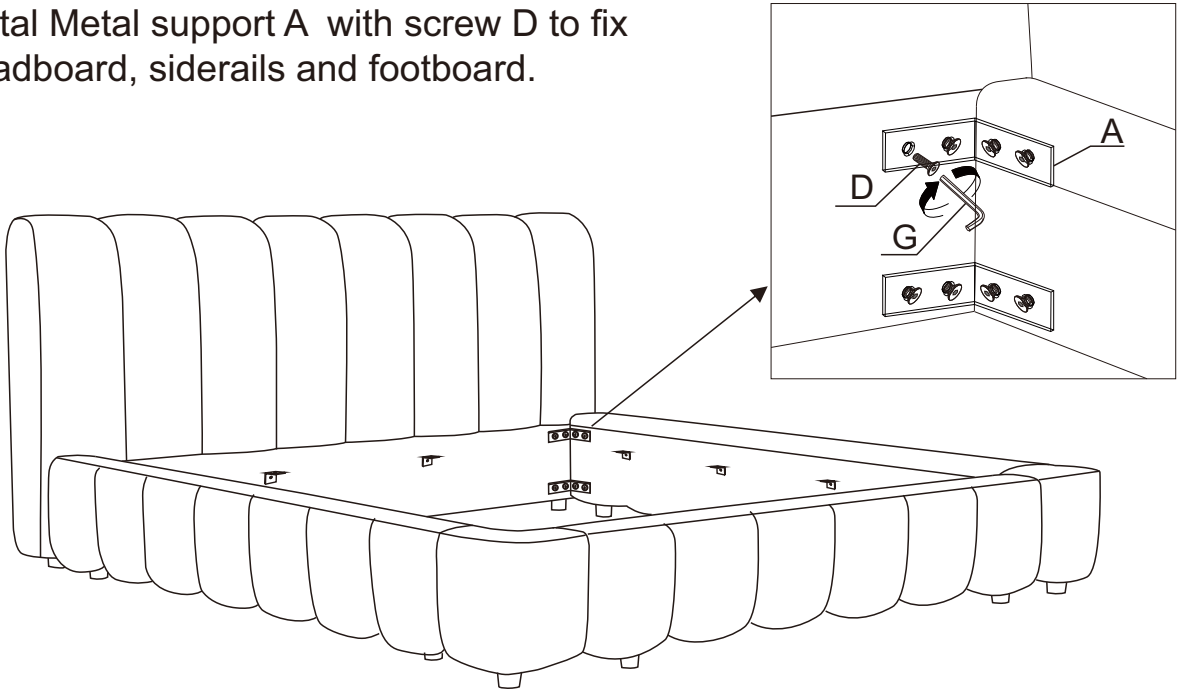
### Queen Bed



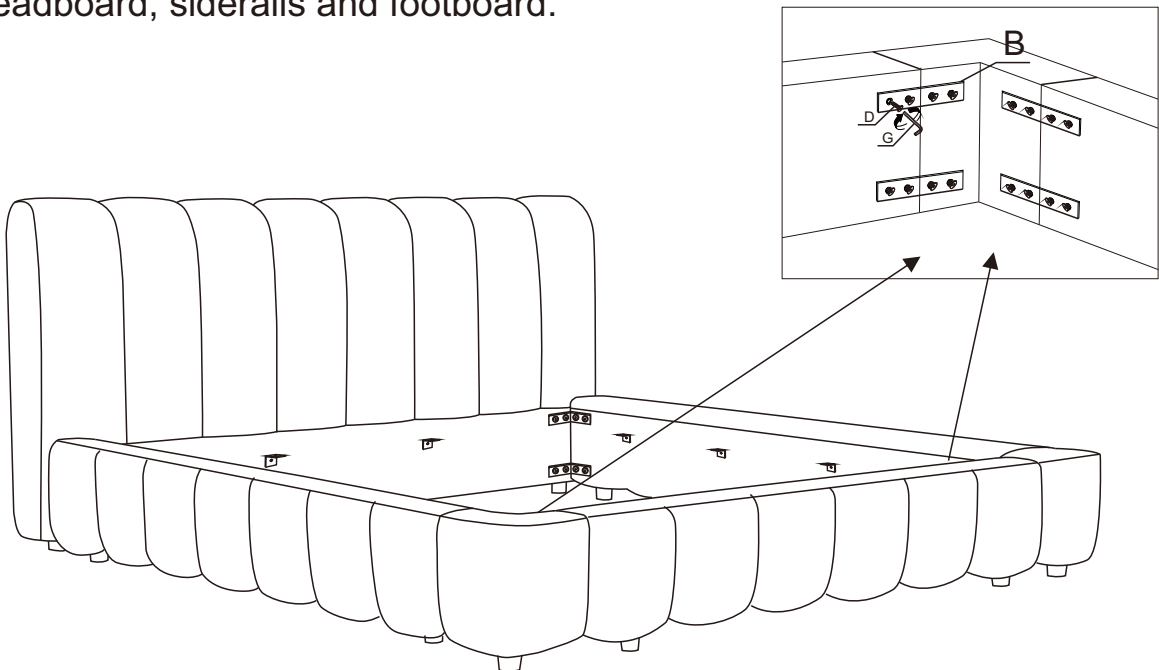
1 Install plastic foot G to headboard, siderails



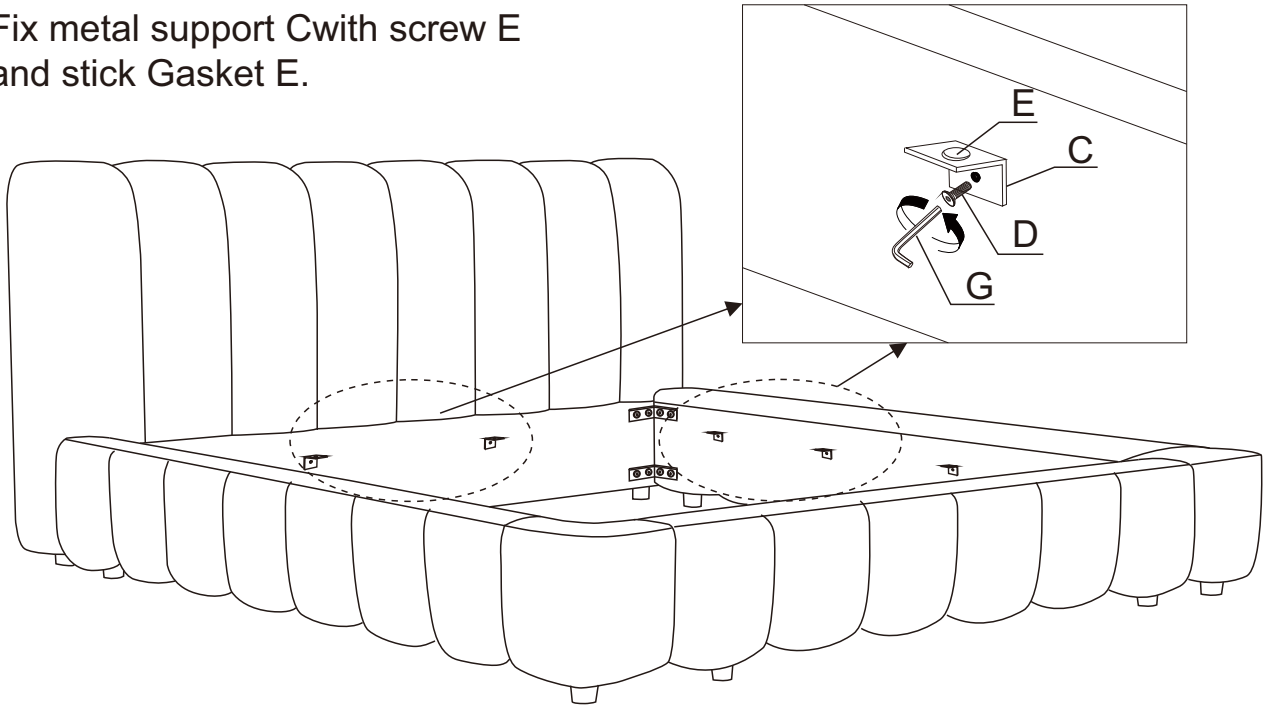
- 2 Instal Metal support A with screw D to fix headboard, siderails and footboard.



- 3 Instal Metal support B with screw D to fix headboard, siderails and footboard.



- ④ Fix metal support C with screw E and stick Gasket E.



- ⑤ Install H legon slat and put the slat on the bed.

